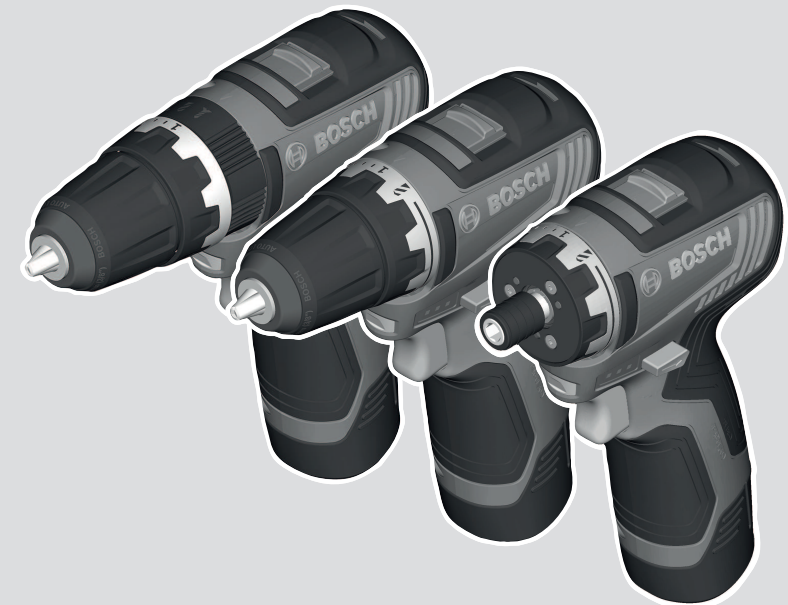




GSR | GSB Professional **HEAVY DUTY**

GSR 12V-35 | GSB 12V-35 | GSR 12V-35 HX



Robert Bosch Power Tools GmbH
70538 Stuttgart
GERMANY

www.bosch-pt.com

1 609 92A 5ET (2020.03) AS / 91

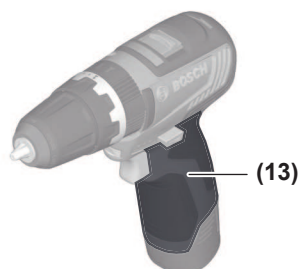
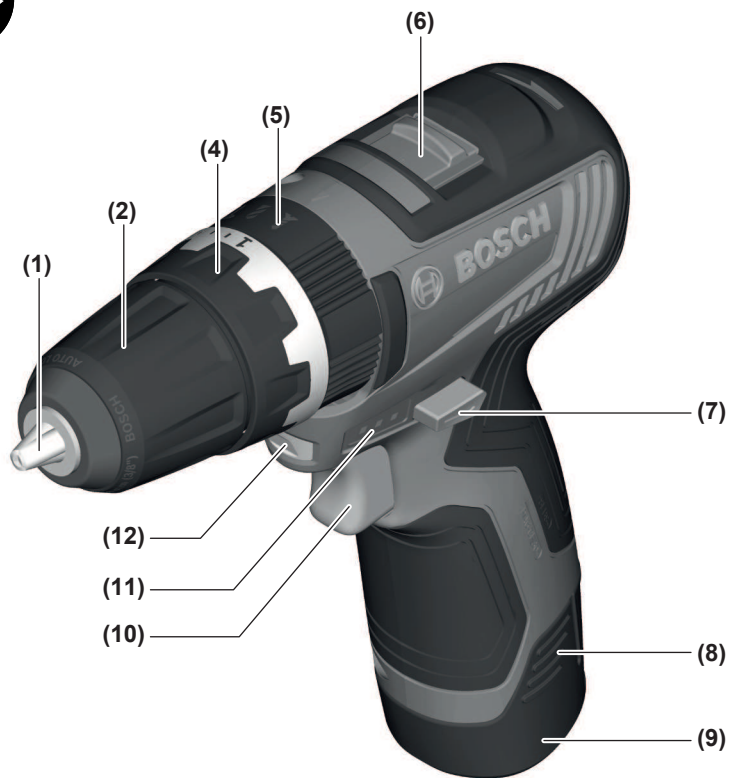


1 609 92A 5ET

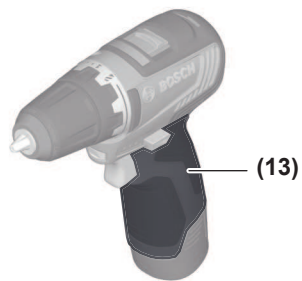
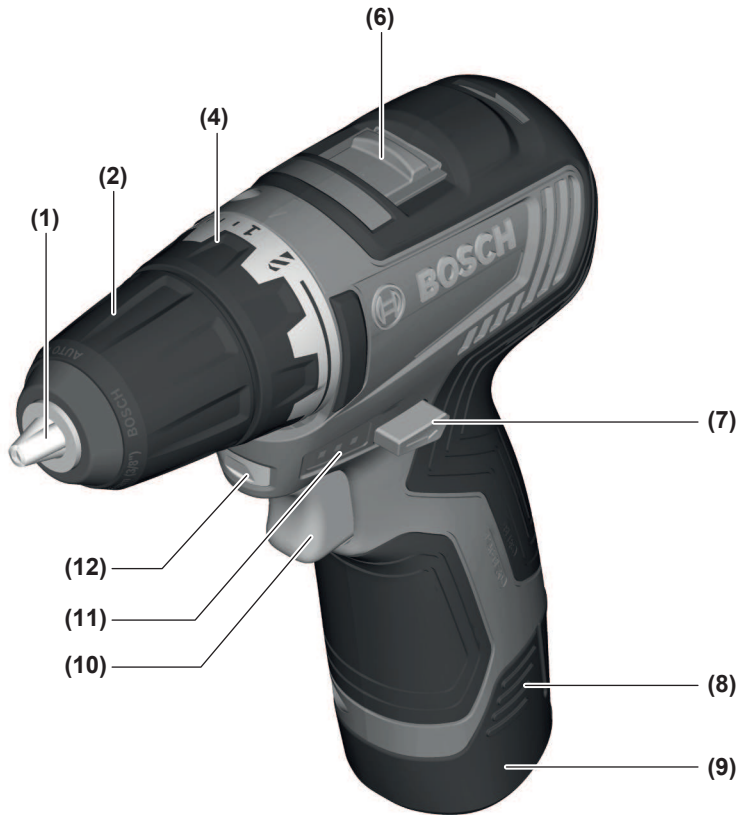
- en Original instructions
- fr Notice originale
- pt Manual original
- es Manual original
- pt Manual de instruções original
- zh 正本使用说明书
- zh 原始使用說明書
- th หนังสือคู่มือการใช้งานฉบับต้นแบบ
- id Petunjuk-Petunjuk untuk Penggunaan Orisinal
- vi Bản gốc hướng dẫn sử dụng
- ar دليل التشغيل الأصلي
- fa دفترچه راهنمای اصلی



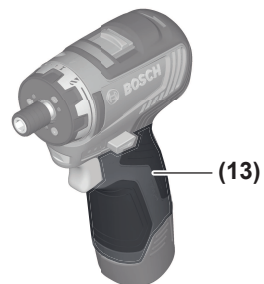
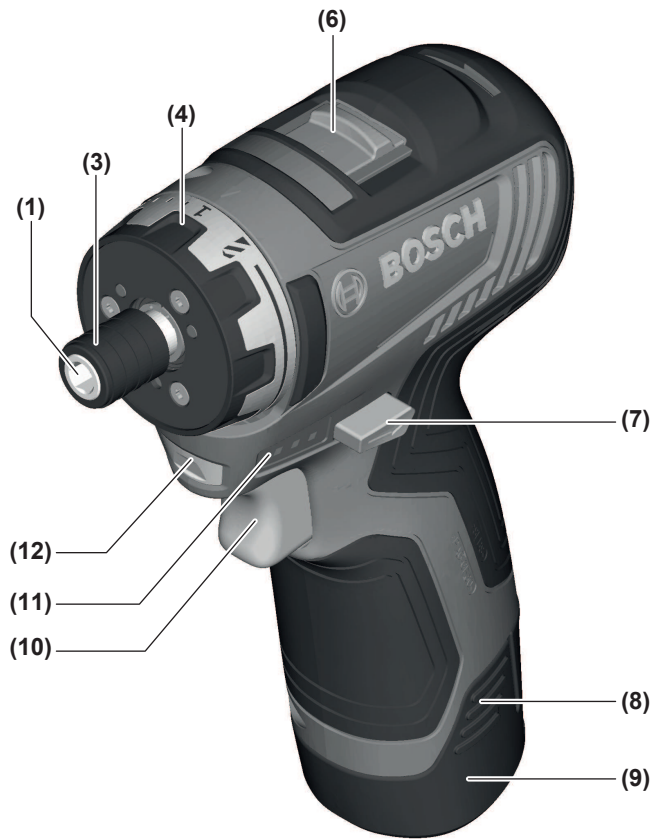
English	Page	8
Français	Page	16
Português	Página	23
Español	Página	30
Português do Brasil	Página	38
中文	頁	45
繁體中文	頁	50
ไทย	หน้า	55
Bahasa Indonesia	Halaman	62
Tiếng Việt	Trang	69
عربي	الصفحة	76
فارسی	صفحه	84



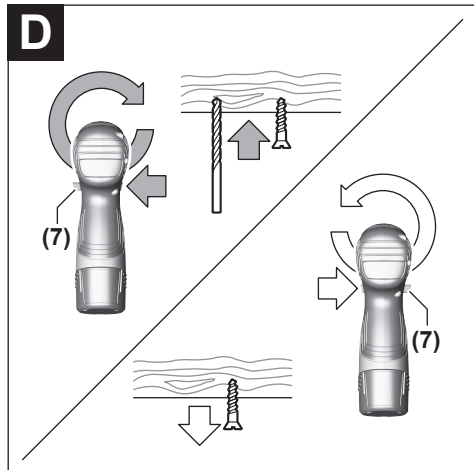
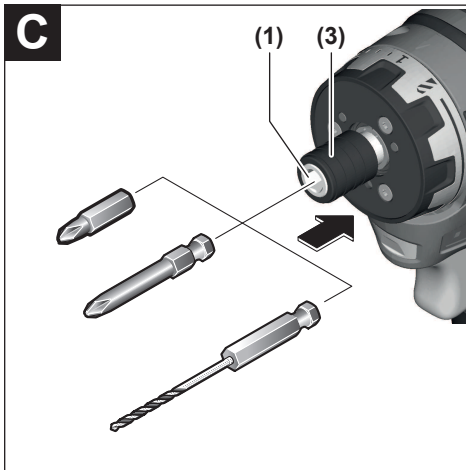
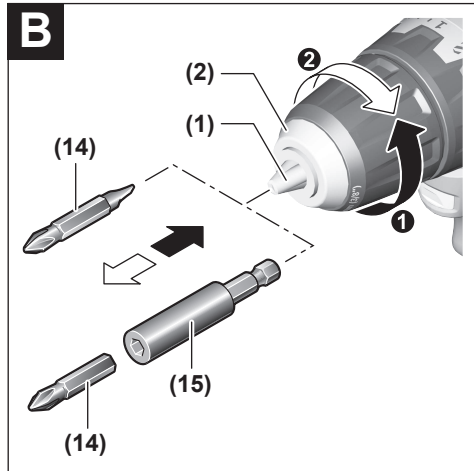
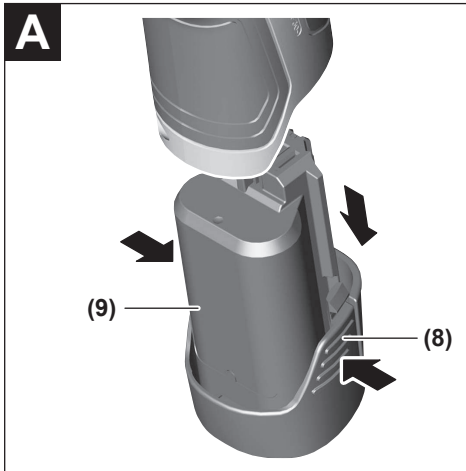
GSB 12V-35

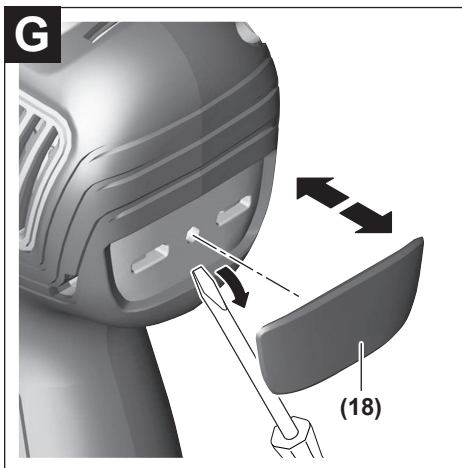
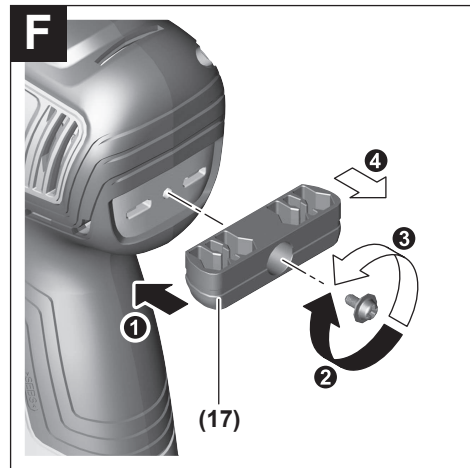
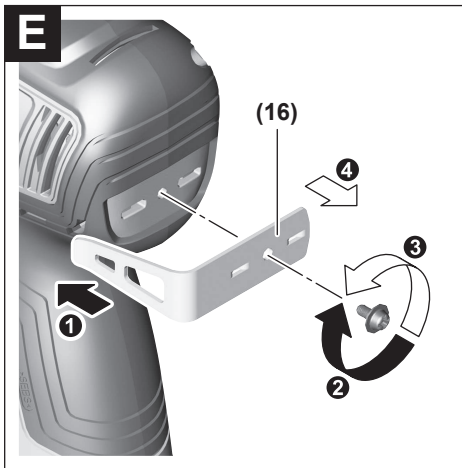


GSR 12V-35



GSR 12V-35 HX





English

Safety instructions

General Power Tool Safety Warnings

⚠ WARNING Read all safety warnings, instructions, illustrations and specifications provided with this power tool. Failure to follow all instructions listed below may result in electric shock, fire and/or serious injury.

Save all warnings and instructions for future reference.

The term "power tool" in the warnings refers to your mains-operated (corded) power tool or battery-operated (cordless) power tool.

Work area safety

- ▶ **Keep work area clean and well lit.** Cluttered or dark areas invite accidents.
- ▶ **Do not operate power tools in explosive atmospheres, such as in the presence of flammable liquids, gases or dust.** Power tools create sparks which may ignite the dust or fumes.
- ▶ **Keep children and bystanders away while operating a power tool.** Distractions can cause you to lose control.

Electrical safety

- ▶ **Power tool plugs must match the outlet. Never modify the plug in any way. Do not use any adapter plugs with earthed (grounded) power tools.** Unmodified plugs and matching outlets will reduce risk of electric shock.
- ▶ **Avoid body contact with earthed or grounded surfaces, such as pipes, radiators, ranges and refrigerators.** There is an increased risk of electric shock if your body is earthed or grounded.
- ▶ **Do not expose power tools to rain or wet conditions.** Water entering a power tool will increase the risk of electric shock.
- ▶ **Do not abuse the cord. Never use the cord for carrying, pulling or unplugging the power tool. Keep cord away from heat, oil, sharp edges or moving parts.** Damaged or entangled cords increase the risk of electric shock.
- ▶ **When operating a power tool outdoors, use an extension cord suitable for outdoor use.** Use of a cord suitable for outdoor use reduces the risk of electric shock.
- ▶ **If operating a power tool in a damp location is unavoidable, use a residual current device (RCD) protected supply.** Use of an RCD reduces the risk of electric shock.

Personal safety

- ▶ **Stay alert, watch what you are doing and use common sense when operating a power tool. Do not use a power tool while you are tired or under the influence of drugs, alcohol or medication.** A moment of inatten-

tion while operating power tools may result in serious personal injury.

- ▶ **Use personal protective equipment. Always wear eye protection.** Protective equipment such as a dust mask, non-skid safety shoes, hard hat or hearing protection used for appropriate conditions will reduce personal injuries.
- ▶ **Prevent unintentional starting. Ensure the switch is in the off-position before connecting to power source and/or battery pack, picking up or carrying the tool.** Carrying power tools with your finger on the switch or energising power tools that have the switch on invites accidents.
- ▶ **Remove any adjusting key or wrench before turning the power tool on.** A wrench or a key left attached to a rotating part of the power tool may result in personal injury.
- ▶ **Do not overreach. Keep proper footing and balance at all times.** This enables better control of the power tool in unexpected situations.
- ▶ **Dress properly. Do not wear loose clothing or jewellery. Keep your hair and clothing away from moving parts.** Loose clothes, jewellery or long hair can be caught in moving parts.
- ▶ **If devices are provided for the connection of dust extraction and collection facilities, ensure these are connected and properly used.** Use of dust collection can reduce dust-related hazards.
- ▶ **Do not let familiarity gained from frequent use of tools allow you to become complacent and ignore tool safety principles.** A careless action can cause severe injury within a fraction of a second.

Power tool use and care

- ▶ **Do not force the power tool. Use the correct power tool for your application.** The correct power tool will do the job better and safer at the rate for which it was designed.
- ▶ **Do not use the power tool if the switch does not turn it on and off.** Any power tool that cannot be controlled with the switch is dangerous and must be repaired.
- ▶ **Disconnect the plug from the power source and/or remove the battery pack, if detachable, from the power tool before making any adjustments, changing accessories, or storing power tools.** Such preventive safety measures reduce the risk of starting the power tool accidentally.
- ▶ **Store idle power tools out of the reach of children and do not allow persons unfamiliar with the power tool or these instructions to operate the power tool.** Power tools are dangerous in the hands of untrained users.
- ▶ **Maintain power tools and accessories. Check for misalignment or binding of moving parts, breakage of parts and any other condition that may affect the power tool's operation. If damaged, have the power tool repaired before use.** Many accidents are caused by poorly maintained power tools.

- ▶ **Keep cutting tools sharp and clean.** Properly maintained cutting tools with sharp cutting edges are less likely to bind and are easier to control.
- ▶ **Use the power tool, accessories and tool bits etc. in accordance with these instructions, taking into account the working conditions and the work to be performed.** Use of the power tool for operations different from those intended could result in a hazardous situation.
- ▶ **Keep handles and grasping surfaces dry, clean and free from oil and grease.** Slippery handles and grasping surfaces do not allow for safe handling and control of the tool in unexpected situations.

Battery tool use and care

- ▶ **Recharge only with the charger specified by the manufacturer.** A charger that is suitable for one type of battery pack may create a risk of fire when used with another battery pack.
- ▶ **Use power tools only with specifically designated battery packs.** Use of any other battery packs may create a risk of injury and fire.
- ▶ **When battery pack is not in use, keep it away from other metal objects, like paper clips, coins, keys, nails, screws or other small metal objects, that can make a connection from one terminal to another.** Shorting the battery terminals together may cause burns or a fire.
- ▶ **Under abusive conditions, liquid may be ejected from the battery; avoid contact. If contact accidentally occurs, flush with water. If liquid contacts eyes, additionally seek medical help.** Liquid ejected from the battery may cause irritation or burns.
- ▶ **Do not use a battery pack or tool that is damaged or modified.** Damaged or modified batteries may exhibit unpredictable behaviour resulting in fire, explosion or risk of injury.
- ▶ **Do not expose a battery pack or tool to fire or excessive temperature.** Exposure to fire or temperature above 130°C may cause explosion.
- ▶ **Follow all charging instructions and do not charge the battery pack or tool outside the temperature range specified in the instructions.** Charging improperly or at temperatures outside the specified range may damage the battery and increase the risk of fire.

Service

- ▶ **Have your power tool serviced by a qualified repair person using only identical replacement parts.** This will ensure that the safety of the power tool is maintained.
- ▶ **Never service damaged battery packs.** Service of battery packs should only be performed by the manufacturer or authorized service providers.

Safety information for drills and screwdrivers

Safety instructions for all operations

- ▶ **Wear ear protectors when impact drilling.** Exposure to noise can cause hearing loss.

- ▶ **Hold the power tool by insulated gripping surfaces, when performing an operation where the cutting accessory or fasteners may contact hidden wiring.** Cutting accessory or fasteners contacting a "live" wire may make exposed metal parts of the power tool "live" and could give the operator an electric shock.

Safety instructions when using long drill bits

- ▶ **Never operate at higher speed than the maximum speed rating of the drill bit.** At higher speeds, the bit is likely to bend if allowed to rotate freely without contacting the workpiece, resulting in personal injury.
- ▶ **Always start drilling at low speed and with the bit tip in contact with the workpiece.** At higher speeds, the bit is likely to bend if allowed to rotate freely without contacting the workpiece, resulting in personal injury.
- ▶ **Apply pressure only in direct line with the bit and do not apply excessive pressure.** Bits can bend causing breakage or loss of control, resulting in personal injury.

Additional safety warnings

- ▶ **Hold the power tool securely.** When tightening and loosening screws be prepared for temporarily high torque reactions.
 - ▶ **Secure the workpiece.** A workpiece clamped with clamping devices or in a vice is held more secure than by hand.
 - ▶ **Use suitable detectors to determine if there are hidden supply lines or contact the local utility company for assistance.** Contact with electric cables can cause fire and electric shock. Damaging gas lines can lead to explosion. Breaking water pipes causes property damage.
 - ▶ **Always wait until the power tool has come to a complete stop before placing it down.** The application tool can jam and cause you to lose control of the power tool.
 - ▶ **In case of damage and improper use of the battery, vapours may be emitted. The battery can set alight or explode.** Ensure the area is well ventilated and seek medical attention should you experience any adverse effects. The vapours may irritate the respiratory system.
 - ▶ **Do not open the battery.** There is a risk of short-circuiting.
 - ▶ **The battery can be damaged by pointed objects such as nails or screwdrivers or by force applied externally.** An internal short circuit may occur, causing the battery to burn, smoke, explode or overheat.
 - ▶ **Only use the battery with products from the manufacturer.** This is the only way in which you can protect the battery against dangerous overload.
- Protect the battery against heat, e.g. against continuous intense sunlight, fire, dirt, water and moisture.** There is a risk of explosion and short-circuiting.
- ▶ **Switch the power tool off immediately if the application tool becomes blocked. Be prepared for high torque reactions which cause kickback.** The application tool becomes blocked when it becomes jammed in



the workpiece or when the power tool becomes overloaded.

Product Description and Specifications



Read all the safety and general instructions.

Failure to observe the safety and general instructions may result in electric shock, fire and/or serious injury.

Please observe the illustrations at the beginning of this operating manual.

Intended use

The power tool is intended for driving and loosening screws and for drilling in wood, metal, ceramic and plastic. The GSB is also designed for impact drilling in brick, masonry and stone.

Product Features

The numbering of the product features refers to the diagram of the power tool on the graphics page.

(1) Tool holder

- (2) Keyless chuck
- (3) Locking sleeve (**GSR 12V-35 HX**)
- (4) Torque presetting ring
- (5) Operating mode presetting ring (GSB)
- (6) Gear selector switch
- (7) Rotational direction switch
- (8) Battery release button^{A)}
- (9) Rechargeable battery^{A)}
- (10) On/off switch
- (11) Battery charge indicator
- (12) "PowerLight" lamp
- (13) Handle (insulated gripping surface)
- (14) Screwdriver bit^{A)}
- (15) Universal bit holder^{A)}
- (16) Belt clip^{A)}
- (17) Bit holder^{A)}
- (18) Colour clip^{A)}

A) Accessories shown or described are not included with the product as standard. You can find the complete selection of accessories in our accessories range.

Technical Data

Cordless drill/driver		GSB 12V-35	GSR 12V-35	GSR 12V-35 HX
Article number		3 601 JJ9 0..	3 601 JH8 0..	3 601 JJ9 1..
Rated voltage	V=	12	12	12
No-load speed ^{A)}				
– First gear	min ⁻¹	0–460	0–460	0–460
– Second gear	min ⁻¹	0–1 750	0–1 750	0–1 750
Impact rate ^{A)}	min ⁻¹	26 250	–	–
Max. torque, hard/soft screw-driving application according to ISO 5393 ^{A)}	Nm	35/20	35/20	35/20
Max. drilling diameter (first/second gear)				
– Masonry	mm	10	–	–
– Steel	mm	10	10	10
– Wood	mm	32	32	32
Chuck capacity	mm	0.8–10	0.8–10	–
Tool holder	mm	–	–	6.35 ¼"
Max. screw diameter	mm	8	8	8
Weight according to EPTA-Procedure 01:2014 ^{A)}	kg	1.0–1.2	0.93–1.2	0.75–1.0
Recommended ambient temperature during charging	°C	0 to +35	0 to +35	0 to +35
Permitted ambient temperature during operation ^{B)} and during storage	°C	–20 to +50	–20 to +50	–20 to +50
Recommended rechargeable batteries		GBA 12V...	GBA 12V...	GBA 12V...

Cordless drill/driver	GSB 12V-35	GSR 12V-35	GSR 12V-35 HX
Recommended chargers	GAL 12... GAX 18...	GAL 12... GAX 18...	GAL 12... GAX 18...

A) Depends on battery in use

B) Limited performance at temperatures <0 °C

Noise/Vibration Information

	GSB 12V-35	GSR 12V-35	GSR 12V-35 HX
--	------------	------------	---------------

Noise emission values determined according to **EN 62841-2-1, EN 62841-2-2**.

Typically, the A-weighted noise level of the power tool is

Sound pressure level	dB(A)	87	73	73
Sound power level	dB(A)	98	84	84
Uncertainty K	dB	5	3	3

Wear hearing protection!

Vibration total values a_h (triaux vector sum) and uncertainty K determined according to **EN 62841-2-1, EN 62841-2-2**:

Drilling into metal:

a_h	m/s^2	< 2.5	< 2.5	< 2.5
K	m/s^2	1.5	1.5	1.5

Impact drilling in brick:

a_h	m/s^2	14.5	-	-
K	m/s^2	1.5	-	-

Screwdriving:

a_h	m/s^2	< 2.5	< 2.5	< 2.5
K	m/s^2	1.5	1.5	1.5

The vibration level and noise emission value given in these instructions have been measured in accordance with a standardised measuring procedure and may be used to compare power tools. They may also be used for a preliminary estimation of vibration and noise emissions.

The stated vibration level and noise emission value represent the main applications of the power tool. However, if the power tool is used for other applications, with different application tools or is poorly maintained, the vibration level and noise emission value may differ. This may significantly increase the vibration and noise emissions over the total working period.

To estimate vibration and noise emissions accurately, the times when the tool is switched off or when it is running but not actually being used should also be taken into account. This may significantly reduce vibration and noise emissions over the total working period.

Implement additional safety measures to protect the operator from the effects of vibration, such as servicing the power tool and application tools, keeping their hands warm, and organising workflows correctly.

Assembly

- **Remove the battery from the power tool before carrying out work on the power tool (e.g. maintenance,**

changing tool, etc.). The battery should also be removed for transport and storage. There is risk of injury from unintentionally pressing the on/off switch.

Charging the Battery

- **Use only the chargers listed in the technical data.** Only these chargers are matched to the lithium-ion battery of your power tool.

Note: The battery is supplied partially charged. To ensure full battery capacity, fully charge the battery in the charger before using your power tool for the first time.

The lithium-ion battery can be charged at any time without reducing its service life. Interrupting the charging process does not damage the battery.

The lithium-ion battery is protected against deep discharge by the "Electronic Cell Protection (ECP)". When the battery is discharged, the power tool is switched off by means of a protective circuit: The application tool no longer rotates.

- **Do not continue to press the On/Off switch after the power tool has automatically switched off.** The battery can be damaged.

Follow the instructions on correct disposal.

Removing the battery (see figure A)

To remove the battery (9), press both release buttons (8) and pull the battery downwards out of the power tool. **Do not use force to do this.**

Changing the tool

- **Remove the battery from the power tool before carrying out work on the power tool (e.g. maintenance, changing tool, etc.). The battery should also be removed for transport and storage.** There is risk of injury from unintentionally pressing the on/off switch.

Inserting the application tool: GSR 12V-35 HX (see figure C)

Pull the locking sleeve (3) back, guide the application tool into the tool holder (1) as far as it will go and release the locking sleeve (3) to lock the application tool.

Please note that the locking interface is optimized for the most commonly used application tool dimension in the individual country of use.

Inserting the application tool: GSB 12V-35/GSR 12V-35 (see figure B)

Open the keyless chuck (2) by turning it in the direction of rotation ① until the tool can be inserted. Insert the tool.

Firmly tighten the keyless chuck (2) by turning it by hand in the direction of rotation ②. This will automatically lock the drill chuck.

The lock will disengage again if you turn the sleeve in the opposite direction to remove the tool.

Removing the application tool: GSR 12V-35 HX

Pull the locking sleeve (3) back and pull the application tool out of the holder (1).

Dust/Chip Extraction

Dust from materials such as lead-containing coatings, some wood types, minerals and metal can be harmful to one's health. Touching or breathing-in the dust can cause allergic reactions and/or lead to respiratory infections of the user or bystanders.

Certain dust, such as oak or beech dust, is considered carcinogenic, especially in connection with wood-treatment additives (chromate, wood preservative). Materials containing asbestos may only be worked by specialists.

- Provide for good ventilation of the working place.
- It is recommended to wear a P2 filter-class respirator.

Observe the relevant regulations in your country for the materials to be worked.

- **Avoid dust accumulation at the workplace.** Dust can easily ignite.

Operation

Starting Operation

Inserting the battery

Note: The use of batteries unsuitable for your power tool can lead to malfunctions or damage to the power tool.

Set the rotational direction switch (7) to the middle position to avoid unintentionally switching it on. Insert the charged battery (9) into the handle until you feel it engage and it is flush with the handle.


Setting the rotational direction (see figure D)

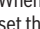
The rotational direction switch (7) is used to change the rotational direction of the power tool. However, this is not possible while the on/off switch (10) is being pressed.

Right rotation: To drill and to drive in screws, press the rotational direction switch (7) through to the left stop.

Left rotation: To loosen and unscrew screws, press the rotational direction switch (7) through to the right stop.

Preselecting the Torque

The torque presetting ring (4) can be used to preselect the required torque in 20 stages. When the correct setting is used, the application tool will be stopped when the screw is driven flush into the material or once the set torque has been reached. In position  the overload clutch is deactivated, e.g. for drilling.

When unscrewing screws, you can select a higher setting or set the tool to the  symbol.

Mechanical gear selection

- **Only operate the gear selector (6) when the power tool is not in use.**

You can preselect two speed ranges with the gear selector (6).

Gear I:

Low speed range; for screwdriving or working with a large drilling diameter.

Gear II:

High speed range; for working with a small drilling diameter.

Setting the Operating Mode



Drilling GSR

Set the torque presetting ring (4) to the "drilling" symbol.

GSB

Set the operating mode presetting ring (5) to the "drilling" symbol.



Screwdriving GSR

Set the torque presetting ring (4) to the required torque.

GSB

Set the operating mode presetting ring (5) to the "screwdriving" symbol.

Set the torque presetting ring (4) to the required torque.



Impact drilling (GSB)

Set the operating mode presetting ring (5) to the "impact drilling" symbol.

Adjusting the Speed/Impact Rate

You can adjust the speed/impact rate of the power tool when it is on by pressing in the on/off switch (10) to varying extents.

Applying light pressure to the on/off switch (10) results in a low rotational speed/impact rate. Applying increasing pressure to the switch increases the speed/impact rate.

Switching on/off

To **start** the power tool, press and hold the on/off switch (10).

To **switch off** the power tool, release the on/off switch (10).

Fully automatic spindle lock (Auto-Lock)

The drill spindle, and therefore the tool holder (1), are locked when the on/off switch (10) is not pressed.

This enables screws to be screwed in even when the battery (9) is empty and allows the power tool to be used as a screwdriver.

Battery charge-control indicator

When the on/off switch (10) is pressed in halfway or completely, the battery charge-control indicator (11) indicates the charge condition of the battery for several seconds. The indicator consists of three green LEDs.

The three LEDs of the battery charge-control indicator (11) and the lamp (12) flash urgently when the temperature of the battery falls or rises outside the operating temperature range of -20 to $+50$ °C.

LED	Capacity
Continuous light 3 x green	$\geq 76\%$
Continuous light 2 x green	51–75 %
Continuous light 1 x green	26–50 %
Slowly flashing light 1 x green	$\leq 25\%$

Temperature-dependent overload protection

In normal conditions of use, the power tool cannot be overloaded. If there is an extreme overload, the power tool switches off until the optimal operating temperature range is reached again.

This status is indicated by the three battery charge indicator (11) LEDs flashing in a chase sequence. The LEDs turn off if the power tool has reached the optimum operating temperature again.

Practical advice

- **Only apply the power tool to the screw/nut when the tool is switched off.** Rotating tool inserts can slip off.

After working at a low speed for an extended period, you should operate the power tool at the maximum speed for approximately three minutes without load to cool it down.

When drilling into metal, only use sharpened HSS drills (HSS = high-speed steel) which are in perfect condition. The **Bosch** accessory range guarantees appropriate quality.

Before screwing larger, longer screws into hard materials, it is advisable to pre-drill a pilot hole with the core diameter of the thread to approx. 2/3 of the screw length.

Belt clip (see figure E)

You can use the belt clip (16) to hang the power tool on a belt, for example. You then have both hands free and the power tool is always within easy reach.

Bit holder (see figure F)

You can place screwdriver bits in the bit holder (17) for storage.

Colour clip (see figure G)

The colour clip (18) can only be used if the belt clip (16) or bit holder are not fitted.

Maintenance and Service

Maintenance and Cleaning

- **Remove the battery from the power tool before carrying out work on the power tool (e.g. maintenance, changing tool, etc.). The battery should also be removed for transport and storage.** There is risk of injury from unintentionally pressing the on/off switch.
- **To ensure safe and efficient operation, always keep the power tool and the ventilation slots clean.**

After-Sales Service and Application Service

Our after-sales service responds to your questions concerning maintenance and repair of your product as well as spare parts. You can find explosion drawings and information on spare parts at: www.bosch-pt.com

The Bosch product use advice team will be happy to help you with any questions about our products and their accessories.

In all correspondence and spare parts orders, please always include the 10-digit article number given on the nameplate of the product.

Cambodia

Robert Bosch (Cambodia) Co., Ltd
Unit 8BC, GT Tower, 08th Floor, Street 169,
Czechoslovakia Blvd, Sangkat Veal Vong
Khan 7 Makara, Phnom Penh
VAT TIN: 100 169 511
Tel.: +855 23 900 685
Tel.: +855 23 900 660
www.bosch.com.kh

People's Republic of China China Mainland

Bosch Power Tool (China) Co. Ltd.
Bosch Service Center
567, Bin Kang Road

Bin Kang District
Hangzhou, Zhejiang Province
China 310052
Tel.: (0571) 8887 5566 / 5588
Fax: (0571) 8887 6688 x 5566# / 5588#
E-Mail: bsc.hz@cn.bosch.com
www.bosch-pt.com.cn

HK and Macau Special Administrative Regions

Robert Bosch Co. Ltd.
21st Floor, 625 King's Road
North Point, Hong Kong
Customer Service Hotline: +852 2101 0235
Fax: +852 2590 9762
E-Mail: info@hk.bosch.com
www.bosch-pt.com.hk

India

Bosch Service Center
69, Habibullah Road, (Next to PSBB School), T. Nagar
Chennai-600077
Phone: (044) 64561816
Bosch Service Center
18, Community Center
Phase 1, Mayapuri
New Delhi-110064
Phone: (011) 43166190

Indonesia

PT Robert Bosch
Palma Tower 10th Floor
Jalan RA Kartini II-S Kaveling 6
Pondok Pinang, Kebayoran Lama
Jakarta Selatan 12310
Tel.: (21) 3005-5800
www.bosch-pt.co.id

Malaysia

Robert Bosch Sdn. Bhd. (220975-V) PT/SMY
No. 8A, Jalan 13/6
46200 Petaling Jaya
Selangor
Tel.: (03) 79663194
Toll-Free: 1800 880188
Fax: (03) 79583838
E-Mail: kiathoe.chong@my.bosch.com
www.bosch-pt.com.my

Pakistan

Robert Bosch Middle East FZE – Pakistan Liaison Office
2nd Floor Plaza # 10, CCA Block, DHA Phase 5
Lahore, 54810
Phone: +92(303)4444311
Email: Faisal.Khan@bosch.com

Philippines

Robert Bosch, Inc.
28th Floor Fort Legend Towers,
3rd Avenue corner 31st Street,
Fort Bonifacio, Global City,
1634 Taguig City
Tel.: (632) 8703871

Fax: (632) 8703870
www.bosch-pt.com.ph

Singapore

Powerwell Service Centre Ptd Ltd
Bosch Authorised Service Centre (Power Tools)
4012 Ang Mo Kio Ave 10, #01-02 TECHplace
Singapore 569628
Tel.: 6452 1770
Fax: 6452 1760
E-Mail: ask@powerwellsc.com
www.powerwellsc.com
www.bosch-pt.com.sg

Thailand

Robert Bosch Ltd.
FYI Center Tower 1, 5th Floor,
2525 Rama IV Road, Klongtoei,
Bangkok 10110
Tel.: 02 0128888
Fax: 02 0645802
www.bosch.co.th
Bosch Service – Training Centre
La Salle Tower Ground Floor Unit No.2
10/11 La Salle Moo 16
Srinakharin Road
Bangkaew, Bang Plee
Samutprakarn 10540
Tel.: 02 7587555
Fax: 02 7587525

Vietnam

Branch of Bosch Vietnam Co., Ltd in HCMC
14th floor, Deutsches Haus, 33 Le Duan
Ben Nghe Ward, District 1, Ho Chi Minh City
Tel.: (028) 6258 3690
Fax: (028) 6258 3692 - 6258 3694
Hotline: (028) 6250 8555
Email: tuvankhachhang-pt@vn.bosch.com
www.bosch-pt.com.vn

Bahrain

EA Juffali and Brothers for Technical Equipment Company.
Kingdom of Bahrain, Al Aker - Block 0624 - Road 2403 -
Building 0055D
Phone: +97317704537
Fax: +97317704527
Email: h.berjas@ejab.com.sa

Egypt

RBEG-LLC
22 Kamal Eldin Hussein
Sheraton Heliopolis
11799 Cairo
E-mail: boschegypt.powertools@eg.bosch.com

Iran

Robert Bosch Iran
3rd Floor, No 3, Maadiran Building
Aftab St., Khodami St., Vanak Sq.
Tehran 1994834571
Phone: +9821- 86092057

Iraq

Sahba Technology Group
Al Muthana airport road
Baghdad
Phone Bagdad: +964 (0) 7 901 930366
Phone Dubai: +971 (0) 4 422 1898
Email: duraid@sahbatechnology.com

Jordan

Roots Arabia – Jordan
Al-Hurriyah Street, Al-Muqabalein
Amman 11623, Jordan
P.O. Box: 110068
Tel. : +962 6 4398990
E-mail: bosch@rootsjordan.com

Kuwait

Shuwaikh Industrial Area, Block 1, Plot 16, Street 3rd
P.O. Box 164 – Safat 13002
Phone: +965 - 2496 88 88
Fax: +965 - 2481 08 79
E-mail: josephkr@aaalmutawa.com

Lebanon

Tehini Hana & Co. S.A.R.L.
P.O. Box 90-449
Jdeideh 1202 2040
Dora-Beirut
Phone: +9611255211
Email: service-pt@tehini-hana.com

Libya

El Naser for Workshop Tools
Swanee Road, Alfalah Area
Tripoli
Phone: +218 21 4811184

Oman

Malatan Trading & Contracting LLC
P.O. Box 131, Ruwi, Muscat
Postal Code: 112, Sultanate of Oman
Phone: +968 2479 4035/4089/4901
Mob: +968-91315465
Fax: +968 2479 4058
E-Mail: sudhirkumar@malatan.net

Qatar

International Construction Solutions W L L
P. O. Box 51, Doha
Phone: +974 40065458
Fax: +974 4453 8585
Email: csd@icsdoha.com

Saudi Arabia

Juffali Technical Equipment Co. (JTECO)
P.O.Box: 1049 – Jeddah 21431 – KSA
Jeddah: 00966 (0) 12 692 0770 – Ext 433
Riyadh: 00966 (0) 11 409 3976 – Ext-30/34/39
Dammam: 00966 (0) 13 833 9565
E-mail: M.Zreik@ejab.com.sa

Syria

Dallal Establishment for Power Tools
Damascus. Baramkeh street - Ibn Amer street,

Phone: +963112241006 or 009631122414009
Mobile: 00963991141005
Email: rita.dallal@hotmail.com

United Arab Emirates

Central Motors & Equipment,
P.O. Box 26255, Dubai
Dubai: 00971 (0) 4 3090920/3090930
Abu Dhabi: 00971 (0) 2 4017745
Sharjah: 00971 (0) 6 5932777
Al Ain: 00971 (0) 3 7157419
E-Mail: Mallappa.Madari@centralmotors.ae

Yemen

Abu Alrejal Trading Corporation
P.O. Box : 17024 , Zubeiry St.
Sana'a, Yemen
Tel: +967-1-20 20 10
Fax: +967-1-47 19 17
E-mail: tech-tools@abualrejal.com/yahya@abualrejal.com

Ethiopia

Forever plc
Kebele 2,754, BP 4806,
Addis Ababa
Phone: +251 111 560 600
Email: foreverplc@ethionet.et

Ghana

Robert Bosch Ghana Limited
21 Kofi Annan Road Airport Residential Area Accra
Tel. +233 (0)3027 94616

Kenya

Robert Bosch East Africa Ltd
Mpaka Road P.O. Box 856
00606 Nairobi

Nigeria

Robert Bosch Nigeria Ltd.
52–54 Isaac John Street P.O. Box
GRA Ikeja – Lagos

Tanzania

Diesel & Autoelectric Service Ltd.
117 Nyerere Rd., P.O. Box 70839
Vingunguti 12109, Dar Es Salaam
Phone: +255 222 861 793/794

Republic of South Africa**Customer service**

Hotline: (011) 6519600

Gauteng – BSC Service Centre

35 Roper Street, New Centre
Johannesburg
Tel.: (011) 4939375
Fax: (011) 4930126
E-Mail: bsctools@icon.co.za

KZN – BSC Service Centre

Unit E, Almar Centre
143 Crompton Street
Pinetown
Tel.: (031) 7012120

Fax: (031) 7012446

E-Mail: bsc.dur@za.bosch.com

Western Cape – BSC Service Centre

Democracy Way, Prosperity Park

Milnerton

Tel.: (021) 5512577

Fax: (021) 5513223

E-Mail: bsc@zsd.co.za

Bosch Headquarters

Midrand, Gauteng

Tel.: (011) 6519600

Fax: (011) 6519880

E-Mail: rbsa-hq.pts@za.bosch.com

Transport

The contained lithium-ion batteries are subject to the Dangerous Goods Legislation requirements. The batteries are suitable for road-transport by the user without further restrictions.

When shipping by third parties (e.g.: by air transport or forwarding agency), special requirements on packaging and labelling must be observed. For preparation of the item being shipped, consulting an expert for hazardous material is required.

Dispatch battery packs only when the housing is undamaged. Tape or mask off open contacts and pack up the battery in such a manner that it cannot move around in the packaging. Please also observe the possibility of more detailed national regulations.

Disposal



Power tools, rechargeable batteries, accessories and packaging should be sorted for environmental-friendly recycling.



Do not dispose of power tools and batteries/rechargeable batteries into household waste!

Battery packs/batteries:

Li-ion:

Please observe the notes in the section on transport (see "Transport", page 16).

Français

Consignes de sécurité

Avertissements de sécurité généraux pour l'outil électrique

AVERTISSEMENT

Lire tous les avertissements de sécurité, les instructions, les illustrations et les spécifications fournis avec cet outil électrique. Ne pas suivre les instructions

énumérées ci-dessous peut provoquer un choc électrique, un incendie et/ou une blessure sérieuse.

Conservation des avertissements et des instructions pour pouvoir s'y reporter ultérieurement.

Le terme "outil électrique" dans les avertissements fait référence à votre outil électrique alimenté par le secteur (avec cordon d'alimentation) ou votre outil électrique fonctionnant sur batterie (sans cordon d'alimentation).

Sécurité de la zone de travail

- ▶ **Conservation de la zone de travail propre et bien éclairée.** Les zones en désordre ou sombres sont propices aux accidents.
- ▶ **Ne pas faire fonctionner les outils électriques en atmosphère explosive, par exemple en présence de liquides inflammables, de gaz ou de poussières.** Les outils électriques produisent des étincelles qui peuvent enflammer les poussières ou les fumées.
- ▶ **Maintenir les enfants et les personnes présentes à l'écart pendant l'utilisation de l'outil électrique.** Les distractions peuvent vous faire perdre le contrôle de l'outil.

Sécurité électrique

- ▶ **Il faut que les fiches de l'outil électrique soient adaptées au socle. Ne jamais modifier la fiche de quelque façon que ce soit. Ne pas utiliser d'adaptateurs avec des outils électriques à branchement de terre.** Des fiches non modifiées et des socles adaptés réduisent le risque de choc électrique.
- ▶ **Éviter tout contact du corps avec des surfaces reliées à la terre telles que les tuyaux, les radiateurs, les cuisinières et les réfrigérateurs.** Il existe un risque accru de choc électrique si votre corps est relié à la terre.
- ▶ **Ne pas exposer les outils électriques à la pluie ou à des conditions humides.** La pénétration d'eau à l'intérieur d'un outil électrique augmente le risque de choc électrique.
- ▶ **Ne pas maltraiter le cordon. Ne jamais utiliser le cordon pour porter, tirer ou débrancher l'outil électrique. Maintenir le cordon à l'écart de la chaleur, du lubrifiant, des arêtes vives ou des parties en mouvement.** Des cordons endommagés ou emmêlés augmentent le risque de choc électrique.
- ▶ **Lorsqu'on utilise un outil électrique à l'extérieur, utiliser un prolongateur adapté à l'utilisation extérieure.** L'utilisation d'un cordon adapté à l'utilisation extérieure réduit le risque de choc électrique.
- ▶ **Si l'usage d'un outil électrique dans un emplacement humide est inévitable, utiliser une alimentation protégée par un dispositif à courant différentiel résiduel (RCD).** L'usage d'un RCD réduit le risque de choc électrique.

Sécurité des personnes

- ▶ **Rester vigilant, regarder ce que vous êtes en train de faire et faire preuve de bon sens dans votre utilisation de l'outil électrique. Ne pas utiliser un outil électrique**

lorsque vous êtes fatigué ou sous l'emprise de drogues, de l'alcool ou de médicaments. Un moment d'inattention en cours d'utilisation d'un outil électrique peut entraîner des blessures graves.

- ▶ **Utiliser un équipement de protection individuelle. Toujours porter une protection pour les yeux.** Les équipements de protection individuelle tels que les masques contre les poussières, les chaussures de sécurité antidérapantes, les casques ou les protections auditives utilisés pour les conditions appropriées réduisent les blessures.
- ▶ **Éviter tout démarrage intempestif. S'assurer que l'interrupteur est en position arrêt avant de brancher l'outil au secteur et/ou au bloc de batteries, de le ramasser ou de le porter.** Porter les outils électriques en ayant le doigt sur l'interrupteur ou brancher des outils électriques dont l'interrupteur est en position marche est source d'accidents.
- ▶ **Retirer toute clé de réglage avant de mettre l'outil électrique en marche.** Une clé laissée fixée sur une partie tournante de l'outil électrique peut donner lieu à des blessures.
- ▶ **Ne pas se précipiter. Garder une position et un équilibre adaptés à tout moment.** Cela permet un meilleur contrôle de l'outil électrique dans des situations inattendues.
- ▶ **S'habiller de manière adaptée. Ne pas porter de vêtements amples ou de bijoux. Garder les cheveux et les vêtements à distance des parties en mouvement.** Des vêtements amples, des bijoux ou les cheveux longs peuvent être pris dans des parties en mouvement.
- ▶ **Si des dispositifs sont fournis pour le raccordement d'équipements pour l'extraction et la récupération des poussières, s'assurer qu'ils sont connectés et correctement utilisés.** Utiliser des collecteurs de poussière peut réduire les risques dus aux poussières.
- ▶ **Rester vigilant et ne pas négliger les principes de sécurité de l'outil sous prétexte que vous avez l'habitude de l'utiliser.** Une fraction de seconde d'inattention peut provoquer une blessure grave.

Utilisation et entretien de l'outil électrique

- ▶ **Ne pas forcer l'outil électrique. Utiliser l'outil électrique adapté à votre application.** L'outil électrique adapté réalise mieux le travail et de manière plus sûre au régime pour lequel il a été construit.
- ▶ **Ne pas utiliser l'outil électrique si l'interrupteur ne permet pas de passer de l'état de marche à arrêt et inversement.** Tout outil électrique qui ne peut pas être commandé par l'interrupteur est dangereux et il faut le réparer.
- ▶ **Débrancher la fiche de la source d'alimentation et/ou enlever le bloc de batteries, s'il est amovible, avant tout réglage, changement d'accessoires ou avant de ranger l'outil électrique.** De telles mesures de sécurité préventives réduisent le risque de démarrage accidentel de l'outil électrique.

- ▶ **Conserver les outils électriques à l'arrêt hors de la portée des enfants et ne pas permettre à des personnes ne connaissant pas l'outil électrique ou les présentes instructions de le faire fonctionner.** Les outils électriques sont dangereux entre les mains d'utilisateurs novices.
- ▶ **Observer la maintenance des outils électriques et des accessoires. Vérifier qu'il n'y a pas de mauvais alignement ou de blocage des parties mobiles, des pièces cassées ou toute autre condition pouvant affecter le fonctionnement de l'outil électrique. En cas de dommages, faire réparer l'outil électrique avant de l'utiliser.** De nombreux accidents sont dus à des outils électriques mal entretenus.
- ▶ **Garder affûtés et propres les outils permettant de couper.** Des outils destinés à couper correctement entretenus avec des pièces coupantes tranchantes sont moins susceptibles de bloquer et sont plus faciles à contrôler.
- ▶ **Utiliser l'outil électrique, les accessoires et les lames etc., conformément à ces instructions, en tenant compte des conditions de travail et du travail à réaliser.** L'utilisation de l'outil électrique pour des opérations différentes de celles prévues peut donner lieu à des situations dangereuses.
- ▶ **Il faut que les poignées et les surfaces de préhension restent sèches, propres et dépourvues d'huiles et de graisses.** Des poignées et des surfaces de préhension glissantes rendent impossibles la manipulation et le contrôle en toute sécurité de l'outil dans les situations inattendues.

Utilisation des outils fonctionnant sur batteries et précautions d'emploi

- ▶ **Ne recharger qu'avec le chargeur spécifié par le fabricant.** Un chargeur qui est adapté à un type de bloc de batteries peut créer un risque de feu lorsqu'il est utilisé avec un autre type de bloc de batteries.
- ▶ **N'utiliser les outils électriques qu'avec des blocs de batteries spécifiquement désignés.** L'utilisation de tout autre bloc de batteries peut créer un risque de blessure et de feu.
- ▶ **Lorsqu'un bloc de batteries n'est pas utilisé, le maintenir à l'écart de tout autre objet métallique, par exemple trombones, pièces de monnaie, clés, clous, vis ou autres objets de petite taille qui peuvent donner lieu à une connexion d'une borne à une autre.** Le court-circuitage des bornes d'une batterie entre elles peut causer des brûlures ou un feu.
- ▶ **Dans de mauvaises conditions, du liquide peut être éjecté de la batterie; éviter tout contact. En cas de contact accidentel, nettoyer à l'eau. Si le liquide entre en contact avec les yeux, rechercher en plus une aide médicale.** Le liquide éjecté des batteries peut causer des irritations ou des brûlures.
- ▶ **Ne pas utiliser un bloc de batteries ou un outil fonctionnant sur batteries qui a été endommagé ou modi-**

fié. Les batteries endommagées ou modifiées peuvent avoir un comportement imprévisible provoquant un feu, une explosion ou un risque de blessure.

- ▶ **Ne pas exposer un bloc de batteries ou un outil fonctionnant sur batteries au feu ou à une température excessive.** Une exposition au feu ou à une température supérieure à 130°C peut provoquer une explosion.
- ▶ **Suivre toutes les instructions de charge et ne pas charger le bloc de batteries ou l'outil fonctionnant sur batteries hors de la plage de températures spécifiée dans les instructions.** Un chargement incorrect ou à des températures hors de la plage spécifiée de températures peut endommager la batterie et augmenter le risque de feu.

Maintenance et entretien

- ▶ **Faire entretenir l'outil électrique par un réparateur qualifié utilisant uniquement des pièces de rechange identiques.** Cela assure le maintien de la sécurité de l'outil électrique.
- ▶ **Ne jamais effectuer d'opération d'entretien sur des blocs de batteries endommagés.** Il convient que l'entretien des blocs de batteries ne soit effectué que par le fabricant ou les fournisseurs de service autorisés.

Consignes de sécurité pour perceuses et visseuses

Instructions de sécurité pour toutes les opérations

- ▶ **Porter des protecteurs d'oreille lors de l'utilisation de la perceuse à percussion.** Porter des protecteurs d'oreille lors de l'utilisation de la perceuse à percussion.
- ▶ **Tenir l'outil électrique par les surfaces de préhension isolées, au cours des opérations pendant lesquelles l'accessoire de coupe ou les fixations peut être en contact avec un câblage caché.** Un accessoire de coupe ou les fixations en contact avec un fil "sous tension" peut "mettre sous tension" les parties métalliques exposées de l'outil électrique et provoquer un choc électrique chez l'opérateur.

Instructions de sécurité pour l'utilisation de forets longs

- ▶ **Ne jamais utiliser à une vitesse supérieure à la vitesse assignée maximale du foret.** À des vitesses supérieures, le foret est susceptible de se plier s'il peut tourner librement sans être en contact avec la pièce à usiner, ce qui provoque des blessures.
- ▶ **Toujours commencer à percer à faible vitesse et en mettant l'embout du foret en contact avec la pièce à usiner.** À des vitesses supérieures, le foret est susceptible de se plier s'il peut tourner librement sans être en contact avec la pièce à usiner, ce qui provoque des blessures.
- ▶ **Appliquer une pression uniquement sur le foret et ne pas appliquer de pression excessive.** Les forets peuvent se plier, ce qui peut provoquer leur casse ou une perte de contrôle, et donc des blessures.

Consignes de sécurité additionnelles

- ▶ **Maintenez bien l'outil électroportatif en place.** Lors du serrage ou du desserrage des vis, des couples de réaction élevés peuvent survenir en peu de temps.
- ▶ **Bloquez la pièce à travailler.** Une pièce à travailler serrée par des dispositifs de serrage appropriés ou dans un étau est fixée de manière plus sûre que quand elle est tenue avec une main.
- ▶ **Utilisez un détecteur approprié pour vérifier s'il n'y a pas de conduites cachées ou contactez votre société de distribution d'eau locale.** Tout contact avec des câbles électriques peut provoquer un incendie ou un choc électrique. Tout endommagement d'une conduite de gaz peut provoquer une explosion. La perforation d'une conduite d'eau provoque des dégâts matériels.
- ▶ **Avant de poser l'outil électroportatif, attendez que celui-ci soit complètement à l'arrêt.** L'outil risque de se coincer, ce qui entraînerait une perte de contrôle de l'outil électroportatif.
- ▶ **Si l'accu est endommagé ou utilisé de manière non conforme, des vapeurs peuvent s'échapper. L'accu peut brûler ou exploser.** Ventilez le local et consultez un médecin en cas de malaise. Les vapeurs peuvent entraîner des irritations des voies respiratoires.
- ▶ **N'ouvrez pas l'accu.** Risque de court-circuit.
- ▶ **Les objets pointus comme un clou ou un tournevis et le fait d'exercer une force extérieure sur le boîtier risque d'endommager l'accu.** Il peut en résulter un court-circuit interne et l'accu risque de s'enflammer, de dégager des fumées, d'exploser ou de surchauffer.
- ▶ **N'utilisez l'accu qu'avec des produits du fabricant.**



Conservez la batterie à l'abri de la chaleur, en la protégeant p. ex. de l'ensoleillement direct, du feu, de la saleté, de l'eau et de l'humidité. Il existe un risque d'explosion et de courts-circuits.

- ▶ **Arrêtez immédiatement l'outil électroportatif dès que l'accessoire se bloque. Attendez-vous à des couples de réaction importants causant des rebonds.** L'accessoire se bloque quand il reste coincé dans la pièce ou quand l'outil électroportatif est en surcharge.

Description des prestations et du produit



Lisez attentivement toutes les instructions et consignes de sécurité. Le non-respect des instructions et consignes de sécurité peut provoquer un choc électrique, un incendie et/ou entraîner de graves blessures.

Référez-vous aux illustrations qui se trouvent à l'avant de la notice d'utilisation.

Utilisation conforme

L'outil électroportatif est conçu pour le vissage et le dévissage de vis ainsi que pour le perçage dans le bois, le métal, la céramique et les matières plastiques. La GSB est également conçue pour le perçage à percussion dans la brique, la maçonnerie et la pierre naturelle.

Éléments constitutifs

La numérotation des éléments de l'appareil se réfère à la représentation de l'outil électroportatif sur la page graphique.

- (1) Porte-outil
- (2) Mandrin automatique
- (3) Bague de verrouillage (GSR 12V-35 HX)
- (4) Bague de présélection de couple
- (5) Bague de réglage pour présélection du mode de fonctionnement (GSB)
- (6) Sélecteur de vitesse
- (7) Sélecteur de sens de rotation
- (8) Bouton de déverrouillage d'accu^{A)}
- (9) Accu^{A)}
- (10) Bouton Marche/Arrêt
- (11) Indicateur d'état de charge de l'accu
- (12) Éclairage « PowerLight »
- (13) Poignée (surface de préhension isolée)
- (14) Embout de vissage^{A)}
- (15) Porte-embout universel^{A)}
- (16) Clip de ceinture^{A)}
- (17) Porte-embout^{A)}
- (18) Clip de couleur^{A)}

A) Les accessoires décrits ou illustrés ne sont pas tous compris dans la fourniture. Vous trouverez les accessoires complets dans notre gamme d'accessoires.

Caractéristiques techniques

Perceuse-visseuse sans-fil		GSB 12V-35	GSR 12V-35	GSR 12V-35 HX
Référence		3 601 JJ9 0..	3 601 JH8 0..	3 601 JJ9 1..
Tension nominale	V=	12	12	12
Régime à vide ^{A)}				
– 1ère vitesse	tr/min	0–460	0–460	0–460
– 2ème vitesse	tr/min	0–1 750	0–1 750	0–1 750
Fréquence de frappe ^{A)}	min ⁻¹	26 250	–	–
Couple de vissage maxi (dur/tendre) selon ISO 5393 ^{A)}	Nm	35/20	35/20	35/20
Ø de perçage maxi (1re/2e vitesse)				
– Maçonnerie	mm	10	–	–
– Acier	mm	10	10	10
– Bois	mm	32	32	32
Plage de serrage du mandrin	mm	0,8–10	0,8–10	–
Porte-outil	mm	–	–	6,35 ¼"
Ø de vissage maxi	mm	8	8	8
Poids selon EPTA-Procedure 01:2014 ^{A)}	kg	1,0–1,2	0,93–1,2	0,75–1,0
Températures ambiantes recommandées pour la charge	°C	0 ... +35	0 ... +35	0 ... +35
Températures ambiantes autorisées pendant l'utilisation ^{B)} et pour le stockage	°C	–20 ... +50	–20 ... +50	–20 ... +50
Accus recommandés		GBA 12V...	GBA 12V...	GBA 12V...
Chargeurs recommandés		GAL 12... GAX 18...	GAL 12... GAX 18...	GAL 12... GAX 18...

A) Dépend de l'accu utilisé

B) Performances réduites à des températures <0 °C

Informations sur le niveau sonore/les vibrations

	GSB 12V-35	GSR 12V-35	GSR 12V-35 HX
--	------------	------------	---------------

Valeurs d'émissions sonores déterminées conformément à **EN 62841-2-1, EN 62841-2-2.**

Le niveau sonore en dB(A) typique de l'outil électroportatif est de :

Niveau de pression acoustique	dB(A)	87	73	73
Niveau de puissance acoustique	dB(A)	98	84	84
Incertitude K	dB	5	3	3

Portez un casque antibruit !

Valeurs globales de vibration a_h (somme vectorielle sur les trois axes) et incertitude K conformément à **EN 62841-2-1, EN 62841-2-2** :

Perçage dans du métal :

a_h	m/s^2	< 2,5	< 2,5	< 2,5
K	m/s^2	1,5	1,5	1,5

Perçage avec percussion dans la brique :

a_h	m/s^2	14,5	-	-
K	m/s^2	1,5	-	-

Vissage :

a_h	m/s^2	< 2,5	< 2,5	< 2,5
K	m/s^2	1,5	1,5	1,5

Le niveau de vibration et la valeur d'émission sonore indiqués dans cette notice d'utilisation ont été mesurés conformément à la norme et peuvent être utilisés pour une comparaison entre les outils électroportatifs. Ils peuvent aussi servir de base à une estimation préliminaire du taux de vibration et du niveau sonore.

Le niveau de vibration et la valeur d'émission sonore indiqués s'appliquent pour les utilisations principales de l'outil électroportatif. Si l'outil électroportatif est utilisé pour d'autres applications, avec d'autres accessoires de travail ou sans avoir fait l'objet d'un entretien régulier, le niveau de vibration et la valeur d'émission sonore peuvent différer. Il peut en résulter des vibrations et un niveau sonore nettement plus élevés pendant toute la durée de travail.

Pour une estimation précise du niveau de vibration et du niveau sonore, il faut aussi prendre en considération les périodes pendant lesquelles l'outil est éteint ou bien en marche sans être vraiment en action. Il peut en résulter au final un niveau de vibration et un niveau sonore nettement plus faibles pendant toute la durée de travail.

Prévoyez des mesures de protection supplémentaires permettant de protéger l'utilisateur de l'effet des vibrations, par exemple : maintenance de l'outil électroportatif et des accessoires de travail, maintien des mains au chaud, organisation des procédures de travail.

Montage

- Retirez l'accu de l'appareil électroportatif avant toute intervention (opérations d'entretien/de maintenance, changement d'accessoire, etc.) ainsi que lors de son

transport et rangement. Il y a sinon risque de blessure lorsqu'on appuie par mégarde sur l'interrupteur Marche/Arrêt.

Recharge de l'accu

- **N'utilisez que les chargeurs indiqués dans les Caractéristiques techniques.** Ils sont les seuls à être adaptés à l'accu Lithium-Ion de votre outil électroportatif.

Remarque : L'accu est fourni partiellement chargé. Pour obtenir les performances maximales, chargez l'accu jusqu'à sa pleine capacité avant la première utilisation.

L'accu Lithium-Ion peut être rechargé à tout moment, sans risquer de réduire sa durée de vie. Le fait d'interrompre le processus de charge n'endommage pas l'accu.

L'accu Lithium-Ion est protégé contre une décharge complète par « Electronic Cell Protection (ECP) » (l'électronique de protection des cellules). Lorsque l'accu est déchargé, l'outil électroportatif s'arrête grâce à un dispositif d'arrêt de protection : l'accessoire de travail ne tourne plus.

- **Après l'arrêt automatique de l'outil électroportatif, n'appuyez plus sur l'interrupteur Marche/Arrêt.** L'accu pourrait être endommagé.

Respectez les indications concernant l'élimination.

Retrait de l'accu (voir figure A)

Pour sortir l'accu (9), appuyez sur les deux touches de déverrouillage (8) et retirez l'accu en tirant vers le bas. **Ne forcez pas.**

Changement d'accessoire

- **Retirez l'accu de l'appareil électroportatif avant toute intervention (opérations d'entretien/de maintenance, changement d'accessoire, etc.) ainsi que lors de son transport et rangement.** Il y a sinon risque de blessure lorsqu'on appuie par mégarde sur l'interrupteur Marche/Arrêt.

Mise en place d'un accessoire de travail : GSR 12V-35 HX (voir figure C)

Tirez la bague de verrouillage (3) vers l'arrière, enfoncez l'accessoire de travail à fond dans le porte-outil (1) et relâchez la bague de verrouillage (3) afin de bloquer l'accessoire.

Veillez noter que le blocage a été optimisé pour la taille d'accessoires la plus répandue dans chaque pays.

Mise en place d'un accessoire de travail : GSB 12V-35/ GSR 12V-35 (voir figure B)

Ouvrez le mandrin automatique (2) en le tournant dans le sens ① jusqu'à ce que l'accessoire puisse être inséré. Insérez l'accessoire de travail.

Tournez fermement à la main la bague du mandrin automatique (2) dans le sens ②. Le mandrin se verrouille alors automatiquement.

Le mandrin se déverrouille lorsque la douille est tournée en sens inverse afin d'enlever l'accessoire.

Retrait d'un accessoire de travail : GSR 12V-35 HX

Tirez la bague de verrouillage (3) vers l'arrière et sortez l'accessoire du porte-outil (1).

Aspiration de poussières/de copeaux

Les poussières de matériaux tels que peintures contenant du plomb, certains bois, minéraux ou métaux, peuvent être nuisibles à la santé. Entrer en contact ou aspirer les poussières peut entraîner des réactions allergiques et/ou des maladies respiratoires auprès de l'utilisateur ou de personnes se trouvant à proximité.

Certaines poussières telles que les poussières de chêne ou de hêtre sont considérées comme cancérigènes, surtout en association avec des additifs pour le traitement du bois (chromate, lazure). Les matériaux contenant de l'amiante ne doivent être travaillés que par des personnes qualifiées.

- Veillez à bien aérer la zone de travail.
- Il est recommandé de porter un masque respiratoire avec un niveau de filtration de classe P2.

Respectez les règlements spécifiques aux matériaux à traiter en vigueur dans votre pays.

- **Évitez toute accumulation de poussières sur le lieu de travail.** Les poussières peuvent facilement s'enflammer.

Mise en marche

Mise en marche

Montage de l'accu

Remarque : L'utilisation d'accus non conçus pour votre outil électroportatif peut entraîner des dysfonctionnements ou endommager l'outil électroportatif.

Mettez le sélecteur de sens de rotation (7) en position médiane pour éviter toute mise en marche non-intentionnelle. Montez l'accu chargé (9) dans la poignée jusqu'à ce qu'il s'encliquette de façon perceptible et affleure avec la poignée.


Sélection du sens de rotation (voir figure D)


Le sélecteur de sens de rotation (7) permet d'inverser le sens de rotation de l'outil électroportatif. Cela n'est toutefois pas possible lorsqu'on appuie sur l'interrupteur Marche/Arrêt (10).

Rotation droite : Pour percer et visser, poussez le sélecteur de sens de rotation (7) à fond vers la gauche.

Rotation gauche : Pour desserrer ou dévisser des vis, poussez le sélecteur de sens de rotation (7) jusqu'en butée vers la droite.

Présélection du couple

La bague de présélection de couple (4) permet de pré régler le couple dans 20 positions. En cas de réglage correct, l'accessoire de travail s'immobilise dès que la vis arrive au ras de la surface ou que le couple présélectionné est atteint. Dans la position , le limiteur de couple est désactivé, par ex. pour le perçage.

Pour dévisser les vis, choisissez éventuellement un réglage plus élevé ou réglez le sélecteur de mode sur le symbole .

Sélection mécanique de la vitesse

- **N'actionnez le sélecteur de vitesse (6) que quand l'outil électroportatif est à l'arrêt.**

Le sélecteur de vitesse (6) permet de présélectionner 2 plages de vitesse de rotation.

Vitesse I :

Plage de basses vitesses ; pour le vissage ou pour les grands diamètres de perçage.

Vitesse II :

Plage de hautes vitesses ; pour les petits diamètres de perçage.

Sélection d'un mode de fonctionnement



Perçage GSR

Positionnez la bague de présélection de couple (4) sur le symbole « Perçage ».

GSB

Positionnez la bague de présélection de mode de fonctionnement (5) sur le symbole « Perçage ».

**Vissage****GSR**

Réglez le couple souhaité avec la bague de présélection de couple **(4)**.

GSB

Positionnez la bague de présélection de mode de fonctionnement **(5)** sur le symbole « Visage ».

Réglez le couple souhaité avec la bague de présélection de couple **(4)**.

**Perçage avec percussion (GSB)**

Positionnez la bague de présélection de mode de fonctionnement **(5)** sur le symbole « Perçage avec percussion ».

Réglage de la vitesse de rotation/de la fréquence de frappe

Vous pouvez faire varier en continu la vitesse de rotation / la fréquence de frappe de l'outil électroportatif en jouant sur la pression exercée sur l'interrupteur Marche/Arrêt **(10)**.

Légère pression sur l'interrupteur Marche/Arrêt **(10)** faible vitesse de rotation/fréquence de frappe. Plus la pression augmente, plus la vitesse de rotation/la fréquence de frappe est élevée.

Mise en marche/arrêt

Pour **mettre en marche** l'outil électroportatif, actionnez l'interrupteur Marche/Arrêt **(10)** et maintenez-le actionné.

Pour **arrêter** l'outil électroportatif, relâchez l'interrupteur Marche/Arrêt **(10)**.

Blocage automatique de la broche (Auto-Lock)

Quand l'interrupteur Marche/Arrêt **(10)** n'est pas actionné, la broche de perçage et donc le porte-outil **(1)** sont bloqués. Cela permet de visser des vis même quand l'accu **(9)** est déchargé, autrement dit de se servir de l'outil électroportatif comme d'un tournevis à main.

Indicateur d'état de charge de l'accu

L'indicateur de niveau de charge de l'accu **(11)** indique pendant quelques secondes l'état de charge de l'accu lorsque l'on enfonce complètement ou à moitié l'interrupteur Marche/Arrêt **(10)**. Il consiste en 3 LED vertes.

Les 3 LED de l'indicateur de niveau de charge **(11)** et la LED **(12)** se mettent à clignoter rapidement dès que la température de l'accu sort de la plage de températures de fonctionnement admissibles (-20 à +50 °C).

LED	Capacité
3 LED allumées en vert	≥ 76 %
2 LED allumées en vert	51-75 %
1 LED allumée en vert	26-50 %
Clignotement lent en vert d'1 LED	≤ 25 %

Protection contre les surcharges en cas de surchauffe

Si l'outil électroportatif est utilisé de manière conforme, tout risque de surcharge est exclu. Dans le cas d'une trop forte sollicitation, l'électronique arrête l'outil électroportatif jus-

qu'à ce qu'il se trouve à nouveau dans la plage de températures de service admissibles.

Cet état est signalé par l'allumage successif (en chenillard) des trois LED de l'indicateur de niveau de charge **(11)**. Dès que la température de l'outil électroportatif est revenue dans la plage de températures optimales, les LED cessent de clignoter.

Instructions d'utilisation

► **Positionnez l'outil électroportatif sur la vis/sur l'écrou seulement lorsqu'il est à l'arrêt.** Un accessoire en rotation risque de glisser.

Après avoir travaillé à une petite vitesse pendant une période relativement longue, faites tourner l'outil électroportatif à vide au régime maximal pendant une durée de 3 minutes environ afin de le laisser refroidir.

Lorsque vous percez du métal, n'utilisez que des forets HSS (HSS=acier à coupe rapide haute performance) sans défauts et affûtés. La gamme d'accessoires **Bosch** vous assure la qualité nécessaire.

Avant de visser des vis de gros diamètre ou très longues dans des matériaux durs, il est recommandé d'effectuer un préperçage au diamètre intérieur de filetage sur approximativement les 2/3 de la longueur de la vis.

Clip de ceinture (voir figure E)

Le clip de ceinture **(16)** permet d'accrocher l'outil électroportatif par ex. à une ceinture. Vous avez alors les deux mains libres et à tout moment l'outil électroportatif à portée de main.

Porte-embouts (voir figure F)

Le porte-embouts **(17)** permet d'avoir toujours à portée de main les embouts dont vous avez besoin.

Clip de couleur (voir figure G)

Le clip de couleur **(18)** ne peut être utilisé que lorsque ni le clip de ceinture **(16)** ni le porte-embouts magnétique ne sont pas montés.

Entretien et Service après-vente**Nettoyage et entretien**

- **Retirez l'accu de l'appareil électroportatif avant toute intervention (opérations d'entretien/de maintenance, changement d'accessoire, etc.) ainsi que lors de son transport et rangement.** Il y a sinon risque de blessure lorsqu'on appuie par mégarde sur l'interrupteur Marche/Arrêt.
- **Tenez toujours propres l'outil électroportatif ainsi que les fentes de ventilation afin d'obtenir un travail impeccable et sûr.**

Service après-vente et conseil utilisateurs

Notre Service après-vente répond à vos questions concernant la réparation et l'entretien de votre produit et les pièces

de rechange. Vous trouverez des vues éclatées et des informations sur les pièces de rechange sur le site : **www.bosch-pt.com**

L'équipe de conseil utilisateurs Bosch se tient à votre disposition pour répondre à vos questions concernant nos produits et leurs accessoires.

Pour toute demande de renseignement ou toute commande de pièces de rechange, précisez impérativement la référence à 10 chiffres figurant sur l'étiquette signalétique du produit.

Algérie

Siestal
Zone Industrielle Ihaddaden
06000 Bejaia
Tel. : +213 (0) 982 400 991/2
Fax : +213 (0) 3 420 1569
E-Mail : sav@siestal-dz.com

Maroc

Robert Bosch Morocco SARL
53, Rue Lieutenant Mahroud Mohamed
20300 Casablanca
Tel. : +212 5 29 31 43 27
E-Mail : sav.outillage@ma.bosch.com

Tunisie

Robert Bosch Tunisie SARL
7 Rue Ibn Battouta Z.I. Saint Gobain
Mégrine Riadh
2014 Ben Arous
Tél. : +216 71 427 496/879
Fax : +216 71 428 621
E-Mail : sav.outillage@tn.bosch.com

Côte d'Ivoire

Rimco
ZONE 3, 9 RUE DU CANAL
01 BP V230, Abidjan 01
Tel. : +225 21 25 93 38

Sénégal

Bernabé
Km 2,5 – Bd du Centenaire de la Commune de Dakar
B.P. 2098 DAKAR
Tel. : +221 33 849 01 01
Fax : +221 33 823 34 20

Transport

Les accus Lithium-ion sont soumis à la réglementation relative au transport de matières dangereuses. Pour le transport par voie routière, aucune mesure supplémentaire n'a besoin d'être prise.

Lors d'une expédition par un tiers (par ex. transport aérien ou entreprise de transport), des mesures spécifiques doivent être prises concernant l'emballage et le marquage. Pour la préparation de l'envoi, faites-vous conseiller par un expert en transport de matières dangereuses.

N'expédiez que des accus dont le boîtier n'est pas endommagé. Recouvrez les contacts non protégés et emballez l'accu de manière à ce qu'il ne puisse pas se déplacer dans l'em-

ballage. Veuillez également respecter les réglementations supplémentaires éventuellement en vigueur.

Élimination des déchets



Les outils électroportatifs, les accus ainsi que leurs accessoires et emballages doivent être rapportés dans un centre de recyclage respectueux de l'environnement.



Ne jetez pas les outils électroportatifs et les accus/piles avec les ordures ménagères !

Accus/piles :

Li-ion :

Veuillez respecter les indications se trouvant dans le chapitre Transport (voir « Transport », Page 23).

Português

Instruções de segurança

Instruções gerais de segurança para ferramentas eléctricas

4 AVISO

Devem ser lidas todas as indicações de segurança,

instruções, ilustrações e especificações desta ferramenta eléctrica. O desrespeito das instruções apresentadas abaixo poderá resultar em choque eléctrico, incêndio e/ou ferimentos graves.

Guarde bem todas as advertências e instruções para futura referência.

O termo "ferramenta eléctrica" utilizado a seguir nas indicações de advertência, refere-se a ferramentas eléctricas operadas com corrente de rede (com cabo de rede) e a ferramentas eléctricas operadas com acumulador (sem cabo de rede).

Segurança da área de trabalho

- ▶ **Mantenha a sua área de trabalho sempre limpa e bem iluminada.** Desordem ou áreas de trabalho insuficientemente iluminadas podem levar a acidentes.
- ▶ **Não trabalhar com a ferramenta eléctrica em áreas com risco de explosão, nas quais se encontrem líquidos, gases ou pós inflamáveis.** Ferramentas eléctricas produzem faíscas, que podem inflamar pós ou vapores.
- ▶ **Manter crianças e outras pessoas afastadas da ferramenta eléctrica durante a utilização.** No caso de distração é possível que perca o controlo sobre o aparelho.

Segurança eléctrica

- ▶ **A ficha de conexão da ferramenta eléctrica deve caber na tomada. A ficha não deve ser modificada de**

- maneira alguma. **Não utilizar uma ficha de adaptação junto com ferramentas eléctricas protegidas por ligação à terra.** Fichas não modificadas e tomadas apropriadas reduzem o risco de um choque eléctrico.
- ▶ **Evitar que o corpo possa entrar em contacto com superfícies ligadas à terra, como tubos, aquecimentos, fogões e frigoríficos.** Há um risco elevado devido a um choque eléctrico, se o corpo estiver ligado à terra.
 - ▶ **Manter o aparelho afastado de chuva ou humidade.** A infiltração de água numa ferramenta eléctrica aumenta o risco de choque eléctrico.
 - ▶ **Não deverá utilizar o cabo para outras finalidades. Nunca utilizar o cabo para transportar a ferramenta eléctrica, para pendurá-la, nem para puxar a ficha da tomada. Manter o cabo afastado do calor, do óleo, de arestas afiadas ou de peças em movimento.** Cabos danificados ou emaranhados aumentam o risco de um choque eléctrico.
 - ▶ **Se trabalhar com uma ferramenta eléctrica ao ar livre, só deverá utilizar cabos de extensão apropriados para áreas exteriores.** A utilização de um cabo de extensão apropriado para áreas exteriores reduz o risco de um choque eléctrico.
 - ▶ **Se não for possível evitar o funcionamento da ferramenta eléctrica em áreas húmidas, deverá ser utilizado um disjuntor de corrente de avaria.** A utilização de um disjuntor de corrente de avaria reduz o risco de um choque eléctrico.
- ### Segurança de pessoas
- ▶ **Esteja atento, observe o que está a fazer e tenha prudência ao trabalhar com a ferramenta eléctrica. Não utilizar uma ferramenta eléctrica quando estiver fatigado ou sob a influência de drogas, álcool ou medicamentos.** Um momento de descuido ao utilizar a ferramenta eléctrica, pode levar a lesões graves.
 - ▶ **Utilizar equipamento de protecção individual. Utilizar sempre óculos de protecção.** A utilização de equipamento de protecção pessoal, como máscara de protecção contra pó, sapatos de segurança antiderrapantes, capacete de segurança ou protecção auricular, de acordo com o tipo e aplicação da ferramenta eléctrica, reduz o risco de lesões.
 - ▶ **Evitar uma colocação em funcionamento involuntária. Assegure-se de que a ferramenta eléctrica esteja desligada, antes de conectá-la à alimentação de rede e/ou ao acumulador, antes de levantá-la ou de transportá-la.** Se tiver o dedo no interruptor ao transportar a ferramenta eléctrica ou se o aparelho for conectado à alimentação de rede enquanto estiver ligado, poderão ocorrer acidentes.
 - ▶ **Remover ferramentas de ajuste ou chaves de boca antes de ligar a ferramenta eléctrica.** Uma ferramenta ou chave que se encontre numa parte do aparelho em movimento pode levar a lesões.
- ▶ **Evite uma posição anormal. Mantenha uma posição firme e mantenha sempre o equilíbrio.** Desta forma é mais fácil controlar a ferramenta eléctrica em situações inesperadas.
 - ▶ **Usar roupa apropriada. Não usar roupa larga nem jóias. Mantenha os cabelos e roupas afastados de peças em movimento.** Roupas frouxas, cabelos longos ou jóias podem ser agarrados por peças em movimento.
 - ▶ **Se for possível montar dispositivos de aspiração ou de recolha, assegure-se de que estejam conectados e utilizados correctamente.** A utilização de uma aspiração de pó pode reduzir o perigo devido ao pó.
 - ▶ **Não deixe que a familiaridade resultante de uma utilização frequente de ferramentas permita que você se torne complacente e ignore os princípios de segurança da ferramenta.** Uma acção descuidada pode causar ferimentos graves numa fracção de segundo.
- ### Utilização e manuseio cuidadoso de ferramentas eléctricas
- ▶ **Não sobrecarregue a ferramenta eléctrica. Utilize a ferramenta eléctrica apropriada para o seu trabalho.** É melhor e mais seguro trabalhar com a ferramenta eléctrica apropriada na área de potência indicada.
 - ▶ **Não utilizar uma ferramenta eléctrica com um interruptor defeituoso.** Uma ferramenta eléctrica que não pode mais ser ligada nem desligada, é perigosa e deve ser reparada.
 - ▶ **Puxar a ficha da tomada e/ou remover o acumulador, se amovível, antes de executar ajustes na ferramenta eléctrica, de substituir acessórios ou de guardar as ferramentas eléctricas.** Esta medida de segurança evita o arranque involuntário da ferramenta eléctrica.
 - ▶ **Guardar ferramentas eléctricas não utilizadas fora do alcance de crianças e não permitir que as pessoas que não estejam familiarizadas com o aparelho ou que não tenham lido estas instruções utilizem o aparelho.** Ferramentas eléctricas são perigosas se forem utilizadas por pessoas inexperientes.
 - ▶ **Tratar a ferramenta eléctrica e os acessórios com cuidado. Controlar se as partes móveis do aparelho funcionam perfeitamente e não emperram, e se há peças quebradas ou danificadas que possam prejudicar o funcionamento da ferramenta eléctrica. Permitir que peças danificadas sejam reparadas antes da utilização.** Muitos acidentes têm como causa, a manutenção insuficiente de ferramentas eléctricas.
 - ▶ **Manter as ferramentas de corte afiadas e limpas.** Ferramentas de corte cuidadosamente tratadas e com cantos de corte afiados emperram com menos frequência e podem ser conduzidas com maior facilidade.
 - ▶ **Utilizar a ferramenta eléctrica, acessórios, ferramentas de aplicação, etc. conforme estas instruções. Considerar as condições de trabalho e a tarefa a ser executada.** A utilização de ferramentas eléctricas para outras tarefas a não ser as aplicações previstas, pode levar a situações perigosas.

- ▶ **Mantenha os punhos e as superfícies de agarrar secas, limpas e livres de óleo e massa consistente.** Punhos e superfícies de agarrar escorregadias não permitem o manuseio e controle seguros da ferramenta em situações inesperadas.

Manuseio e utilização cuidadosos de ferramentas com acumuladores

- ▶ **Só carregar acumuladores em carregadores recomendados pelo fabricante.** Há perigo de incêndio se um carregador apropriado para um certo tipo de acumuladores for utilizado para carregar acumuladores de outros tipos.
- ▶ **Só utilizar ferramentas eléctricas com os acumuladores apropriados.** A utilização de outros acumuladores pode levar a lesões e perigo de incêndio.
- ▶ **Manter o acumulador que não está sendo utilizado afastado de cliques, moedas, chaves, parafusos ou outros pequenos objectos metálicos que possam causar um curto-circuito dos contactos.** Um curto-circuito entre os contactos do acumulador pode ter como consequência queimaduras ou fogo.
- ▶ **No caso de aplicação incorrecta pode vaziar líquido do acumulador. Evitar o contacto. No caso de um contacto accidental, deverá enxaguar com água. Se o líquido entrar em contacto com os olhos, também deverá consultar um médico.** Líquido que escapa do acumulador pode levar a irritações da pele ou a queimaduras.
- ▶ **Não use um acumulador ou uma ferramenta danificada ou modificada.** Os acumuladores danificados ou modificados exibem um comportamento imprevisível podendo causar incêndio, explosão ou risco de lesão.
- ▶ **Não exponha o acumulador ou a ferramenta ao fogo ou temperatura excessiva.** A exposição ao fogo ou a temperaturas acima de 130 °C pode causar explosão.
- ▶ **Siga todas as instruções de carregamento e não carregue o acumulador ou a ferramenta fora da faixa de temperatura especificada no manual de instruções.** Carregar indevidamente ou em temperaturas fora da faixa especificada pode danificar o acumulador e aumentar o risco de incêndio.

Serviço

- ▶ **Só permita que o seu aparelho seja reparado por pessoal especializado e qualificado e só com peças de reposição originais.** Desta forma é assegurado o funcionamento seguro do aparelho.
- ▶ **Nunca tente reparar acumuladores danificados.** A reparação de acumuladores deve ser realizada apenas pelo fabricante ou agentes de assistência autorizados.

Indicações de segurança para berbequins e aparafusadoras

Instruções de segurança para todas as operações

- ▶ **Use protetores auditivos ao perfurar com impacto.** A exposição ao ruído pode provocar a perda da audição.

- ▶ **Segure a ferramenta eléctrica nas superfícies de agarrar isoladas, ao executar uma operação onde o acessório de corte ou elemento de fixação possam entrar em contacto com cabos escondidos.** Se o acessório de corte ou os elementos de fixação entrarem em contacto com um cabo "sob tensão", as partes metálicas expostas da ferramenta eléctrica ficam "sob tensão" e podem produzir um choque eléctrico.

Instruções de segurança ao usar brocas longas

- ▶ **Nunca opere a uma velocidade maior do que a velocidade máxima da broca.** A velocidades mais altas, a broca pode dobrar-se ao rodar livremente sem entrar em contacto com a peça de trabalho, causando ferimento pessoal.
- ▶ **Comece sempre a perfurar a baixa velocidade e com a ponta da broca em contacto com a peça de trabalho.** A velocidades mais altas, a broca pode dobrar-se ao rodar livremente sem entrar em contacto com a peça de trabalho, causando ferimento pessoal.
- ▶ **Aplique pressão apenas em linha direta com a broca e não aplique pressão excessiva.** As brocas podem dobrar-se, causando rutura ou perda de controlo, ou mesmo ferimento pessoal.

Instruções de segurança adicionais

- ▶ **Segure bem a ferramenta eléctrica.** Ao apertar e soltar parafusos podem ocorrer temporariamente elevados momentos de reacção.
- ▶ **Fixar a peça a ser trabalhada.** Uma peça a ser trabalhada fixa com dispositivos de aperto ou com torno de bancada está mais firme do que segurada com a mão.
- ▶ **Utilizar detetores apropriados, para encontrar cabos escondidos, ou consulte a companhia eléctrica local.** O contacto com cabos eléctricos pode provocar fogo e choques eléctricos. Danos em tubos de gás podem levar à explosão. A infiltração num cano de água provoca danos materiais.
- ▶ **Espere que a ferramenta eléctrica pare completamente, antes de depositá-la.** A ferramenta de aplicação pode emperrar e levar à perda de controlo sobre a ferramenta eléctrica.
- ▶ **Em caso de danos e de utilização incorreta da bateria, podem escapar vapores. A bateria pode incendiar-se ou explodir.** Areje o espaço e procure assistência médica no caso de apresentar queixas. É possível que os vapores irriem as vias respiratórias.
- ▶ **Não abrir o acumulador.** Há risco de um curto-circuito.
- ▶ **Os objetos afiados como, p. ex., pregos ou chaves de fendas, assim como o efeito de forças externas podem danificar o acumulador.** Podem causar um curto-circuito interno e o acumulador pode ficar queimado, deitar fumo, explodir ou sobreaquecer.
- ▶ **Use a bateria apenas em produtos do fabricante.** Só assim é que a bateria é protegida contra sobrecarga perigosa.



Proteger a bateria contra calor, p. ex. também contra uma permanente radiação solar, fogo, sujidade, água e humidade. Há risco de explosão ou de um curto-circuito.



- ▶ **Desligue a ferramenta de imediato se a ferramenta de trabalho encravar. Esteja atento aos binários de reação que podem dar origem a contragolpes.** O acessório acoplável fica encravado se a ferramenta elétrica for sobrecarregada ou se ficar emperrada na peça a ser trabalhada.

Descrição do produto e do serviço



Leia todas as instruções de segurança e instruções. A inobservância das instruções de segurança e das instruções pode causar choque elétrico, incêndio e/ou ferimentos graves.

Respeite as figuras na parte da frente do manual de instruções.

Utilização adequada

A ferramenta elétrica destina-se a apertar e desapertar parafusos e a furar madeira, metal, cerâmica e plástico. O GSB destina-se adicionalmente a furar com percussão em tijolo, alvenaria e pedra.

Componentes ilustrados

A numeração dos componentes ilustrados refere-se à apresentação da ferramenta elétrica na página de esquemas.

- (1) Encabadouro
- (2) Bucha de aperto rápido
- (3) Bucha de travamento (GSR 12V-35 HX)
- (4) Anel de ajuste da pré-seleção do binário
- (5) Anel de ajuste da pré-seleção do modo de funcionamento (GSB)
- (6) Seletor de velocidade
- (7) Comutador do sentido de rotação
- (8) Tecla de desbloqueio da bateria^{A)}
- (9) Bateria^{A)}
- (10) Interruptor de ligar/desligar
- (11) Indicador do nível de carga da bateria
- (12) Lâmpada "PowerLight"
- (13) Punho (superfície do punho isolada)
- (14) Bit de aparafusamento^{A)}
- (15) Porta-bits universal^{A)}
- (16) Suporte de fixação ao cinto^{A)}
- (17) Porta-bits^{A)}
- (18) Clipe de cor^{A)}

A) **Acessórios apresentados ou descritos não pertencem ao volume de fornecimento padrão. Todos os acessórios encontram-se no nosso programa de acessórios.**

Dados técnicos

Berbequim aparafusador sem fio		GSB 12V-35	GSR 12V-35	GSR 12V-35 HX
Número de produto		3 601 JJ9 0..	3 601 JH8 0..	3 601 JJ9 1..
Tensão nominal	V=	12	12	12
N.º de rotações em vazio ^{A)}				
– 1.ª velocidade	r.p.m.	0–460	0–460	0–460
– 2.ª velocidade	r.p.m.	0–1750	0–1750	0–1750
N.º de impactos ^{A)}	i.p.m.	26250	–	–
Máx. binário de aparafusamento duro/macio conforme ISO 5393 ^{A)}	Nm	35/20	35/20	35/20
Ø máx. de perfuração (1.ª/2.ª velocidade)				
– Alvenaria	mm	10	–	–
– Aço	mm	10	10	10
– Madeira	mm	32	32	32
Faixa de aperto da bucha	mm	0,8–10	0,8–10	–
Encabadouro	mm	–	–	6,35 ¼"
Ø máximo do parafuso	mm	8	8	8
Peso conforme EPTA-Procedure 01:2014 ^{A)}	kg	1,0–1,2	0,93–1,2	0,75–1,0

Berbequim aparafusador sem fio		GSB 12V-35	GSR 12V-35	GSR 12V-35 HX
Temperatura ambiente recomendada durante o carregamento	°C	0 ... +35	0 ... +35	0 ... +35
Temperatura ambiente admissível em funcionamento ^{B)} e durante o armazenamento	°C	-20 ... +50	-20 ... +50	-20 ... +50
Baterias recomendadas		GBA 12V...	GBA 12V...	GBA 12V...
Carregadores recomendados		GAL 12... GAX 18...	GAL 12... GAX 18...	GAL 12... GAX 18...

A) dependendo da bateria utilizada

B) potência limitada com temperaturas <0 °C

Informação sobre ruídos / vibrações

		GSB 12V-35	GSR 12V-35	GSR 12V-35 HX
Os valores de emissão de ruído foram determinados de acordo com EN 62841-2-1 , EN 62841-2-2 .				
Normalmente, o nível sonoro de classe A da ferramenta elétrica compreende				
Nível de pressão acústica	dB(A)	87	73	73
Nível da potência acústica	dB(A)	98	84	84
Incerteza K	dB	5	3	3
Usar proteção auditiva!				
Valores totais de vibração a_h (soma dos vetores das três direções) e incerteza K determinada segundo EN 62841-2-1 , EN 62841-2-2 :				
Furar metal:				
a_h	m/s^2	< 2,5	< 2,5	< 2,5
K	m/s^2	1,5	1,5	1,5
Furar com percussão em tijolo:				
a_h	m/s^2	14,5	-	-
K	m/s^2	1,5	-	-
Aparafusar:				
a_h	m/s^2	< 2,5	< 2,5	< 2,5
K	m/s^2	1,5	1,5	1,5

O nível de vibrações indicado nestas instruções e o valor de emissões sonoras foram medidos de acordo com um processo de medição normalizado e podem ser utilizados para a comparação de ferramentas elétricas. Também são adequados para uma avaliação provisória das emissões sonoras e de vibrações.

O nível de vibrações indicado e o valor de emissões sonoras representam as aplicações principais da ferramenta elétrica. Se a ferramenta elétrica for utilizada para outras aplicações, com outras ferramentas de trabalho ou com manutenção insuficiente, é possível que o nível de vibrações e de emissões sonoras seja diferente. Isto pode aumentar sensivelmente a emissão sonora e de vibrações para o período completo de trabalho.

Para uma estimativa exata da emissão sonora e de vibrações, também deveriam ser considerados os períodos nos quais o aparelho está desligado ou funciona, mas não está sendo utilizado. Isto pode reduzir a emissão sonora e de vibrações durante o completo período de trabalho.

Além disso também deverão ser estipuladas medidas de segurança para proteger o operador contra o efeito de vibrações, como por exemplo: manutenção de ferramentas elétricas e acessórios, manter as mãos quentes e organização dos processos de trabalho.

Montagem

- **A bateria deverá ser retirada antes de todos os trabalhos na ferramenta elétrica (p. ex. manutenção,**

troca de ferramenta etc.) e antes de transportar ou de armazenar a mesma. Há perigo de ferimentos se o interruptor de ligar/desligar for acionado involuntariamente.

Carregar a bateria

► **Utilize apenas os carregadores listados nos dados técnicos.** Só estes carregadores são apropriados para as baterias de lítio utilizadas na sua ferramenta elétrica.

Nota: A bateria é fornecida parcialmente carregada. Para assegurar a completa potência da bateria, a bateria deverá ser carregada completamente no carregador antes da primeira utilização.

A bateria de lítio pode ser carregada a qualquer altura, sem que a sua vida útil seja reduzida. Uma interrupção do processo de carga não danifica a bateria.

O acumulador de iões de lítio está protegido contra descarga completa pelo sistema "Electronic Cell Protection (ECP)". A ferramenta elétrica é desligada através de um disjuntor de proteção, logo que o acumulador estiver descarregado. A ferramenta de trabalho não se movimenta mais.

► **Não continuar a premir o interruptor de ligar/desligar após o desligamento automático da ferramenta elétrica.** A bateria pode ser danificada.

Observe as indicações sobre a eliminação de forma ecológica.

Retirar a bateria (ver figura A)

Para retirar a bateria (9) pressione ambas as teclas de desbloqueio (8) e puxe a bateria para baixo para a retirar da ferramenta elétrica. **Não empregar força.**

Troca de ferramenta

► **A bateria deverá ser retirada antes de todos os trabalhos na ferramenta elétrica (p. ex. manutenção, troca de ferramenta etc.) e antes de transportar ou de armazenar a mesma.** Há perigo de ferimentos se o interruptor de ligar/desligar for acionado involuntariamente.

Introduzir a ferramenta de trabalho: GSR 12V-35 HX (ver figura C)

Puxe a bucha de travamento (3) para trás, insira a ferramenta de trabalho até ao batente na fixação da ferramenta (1) e solte novamente a bucha de travamento (3), para fixar a ferramenta de trabalho.

Tenha em atenção que o travamento está otimizado para a dimensão da ferramenta de trabalho mais amplamente usada no respetivo país.

Introduzir a ferramenta de trabalho: GSB 12V-35/GSR 12V-35 (ver figura B)

Abra a bucha de aperto rápido (2) rodando no sentido ① até a ferramenta poder ser inserida. Introduzir a ferramenta.

Aperte bem à mão a bucha da bucha de aperto rápido (2) no sentido de rotação ②. A bucha fica assim automaticamente bloqueada.

O travamento solta-se novamente, logo que girar a bucha no sentido contrário para remover a ferramenta.

Retirar a ferramenta de trabalho: GSR 12V-35 HX

Puxe a bucha de travamento (3) para trás e retire a ferramenta de trabalho do encabadouro (1).

Aspiração de pó/de aparas

Pós de materiais como por exemplo, tintas que contém chumbo, alguns tipos de madeira, minerais e metais, podem ser nocivos à saúde. O contacto ou a inalação dos pós pode provocar reações alérgicas e/ou doenças nas vias respiratórias do utilizador ou das pessoas que se encontrem por perto.

Certos pós, como por exemplo pó de carvalho e faia são considerados como sendo cancerígenos, especialmente quando juntos com substâncias para o tratamento de madeiras (cromato, preservadores de madeira). Material que contém asbesto só deve ser processado por pessoal especializado.

- Assegurar uma boa ventilação do local de trabalho.
- É recomendável usar uma máscara de proteção respiratória com filtro da classe P2.

Observe as diretivas para os materiais a serem processados, vigentes no seu país.

► **Evite a acumulação de pó no local de trabalho.** Pós podem entrar levemente em ignição.

Funcionamento

Colocação em funcionamento

Colocar a bateria

Nota: A utilização de baterias não indicadas para a sua ferramenta elétrica pode causar falhas de funcionamento ou danos na ferramenta elétrica.

Coloque o comutador do sentido de rotação (7) no centro para evitar um ligamento inadvertido. Coloque a bateria carregada (9) no punho até esta encaixar de forma audível e ficar à face com o punho.

Ajustar o sentido de rotação (ver figura D)


Com o comutador de sentido de rotação (7) é possível alterar o sentido de rotação da ferramenta elétrica. Com o interruptor de ligar/desligar pressionado (10) isto no entanto não é possível.


Rotação à direita: Para furar e apertar parafusos prima o comutador do sentido de rotação (7) completamente para a esquerda.

Rotação à esquerda: para soltar ou retirar os parafusos pressione o conversor do sentido de rotação (7) para a direita até ao batente.

Pré-selecionar o binário

Com o anel de ajuste da pré-seleção do binário (4) pode pré-selecionar o binário necessário em 20 níveis. Com o ajuste certo, o acessório é parado, assim que parafuso esteja aparafusado à face com o material ou seja atingido o binário

ajustado. Na posição  a embraiagem de segurança por desengate está desativada, p. ex. para furar.

Ao desaparafusar parafusos, selecione um ajuste maior ou coloque no símbolo .

Regulação mecânica da velocidade

► Acione o seletor de velocidade (6) apenas com a ferramenta elétrica parada.

Com o seletor de velocidade (6) podem ser pré-selecionados 2 regimes de rotações.

Velocidade I:

Baixa gama de número de rotações; para aparafusar ou para trabalhar com grandes diâmetros.

Velocidade II:

Alta gama de número de rotações; para trabalhar com pequeno diâmetro de perfuração.

Ajustar o modo de operação



Furar

GSR

Coloque o anel de ajuste da pré-seleção do binário (4) no símbolo "Furar".

GSB

Coloque o anel de ajuste da pré-seleção do modo de funcionamento (5) no símbolo "Furar".



Aparafusar

GSR

Coloque o anel de ajuste da pré-seleção do binário (4) no binário desejado.

GSB

Coloque o anel de ajuste da pré-seleção do modo de funcionamento (5) no símbolo "Aparafusar".

Coloque o anel de ajuste da pré-seleção do binário (4) no binário desejado.



Furar com percussão (GSB)

Coloque o anel de ajuste da pré-seleção do modo de funcionamento (5) no símbolo "Furar com percussão".

Ajustar o número de rotações/impactos

Pode regular o número de rotações/impactos da ferramenta elétrica ligada de forma contínua, consoante a pressão que faz no interruptor de ligar/desligar (10).

Uma leve pressão sobre o interruptor de ligar/desligar (10) proporciona um número de rotações/impactos baixo.

Aumentando a pressão, é aumentado o n.º de rotações/impactos.

Ligar/desligar

Para a **colocação em funcionamento** da ferramenta elétrica deverá pressionar o interruptor de ligar/desligar (10) e mantenha-o pressionado.

Para **desligar** a ferramenta elétrica, liberte o interruptor de ligar/desligar (10).

Bloqueio automático do veio (Auto-Lock)

Com o interruptor de ligar/desligar (10) não pressionado é fixado o veio de perfuração e, conseqüentemente, o encabadoiro (1).

Isso permite enroscar parafusos mesmo com a bateria (9) descarregada ou rodar a ferramenta elétrica como chave de parafusos.

Indicador do nível de carga da bateria

O indicador do nível de carga da bateria (11) mostra durante alguns segundos o nível de carga da bateria, premindo parcial ou totalmente o interruptor de ligar/desligar (10), e é composto por 3 LEDs verdes.

Os 3 LEDs do indicador do nível de carga da bateria (11) e a lâmpada (12) piscam rapidamente quando a temperatura da bateria está fora da faixa de temperatura de serviço de -20 até +50 °C.

LED	Capacidade
Luz permanente 3 x verde	≥ 76 %
Luz permanente 2 x verde	51-75 %
Luz permanente 1 x verde	26-50 %
Luz intermitente lenta 1 x verde	≤ 25 %

Indicador da proteção contra sobrecarga

Numa utilização correta, a ferramenta elétrica não pode ser sobrecarregada. Em caso de forte sobrecarga, o sistema eletrónico desliga a ferramenta elétrica, até que volte a ser alcançada a temperatura ideal de funcionamento.

Este estado é sinalizado através de uma luz corrida dos três LED do indicador do nível de carga da bateria (11). Os LEDs são desligados, quando a ferramenta elétrica alcança novamente a temperatura de serviço ideal.

Instruções de trabalho

► Utilizar os punhos adicionais fornecidos com a ferramenta elétrica. A perda de controle sobre a ferramenta elétrica pode levar a lesões.

Após um longo período de tempo a trabalhar com um número de rotações reduzido, deve deixar a ferramenta elétrica a funcionar aprox. 3 minutos com o número de rotações máximo em vazio para arrefecer.

Ao furar metal utilize apenas brocas HSS afiadas e sem problemas (HSS= aço de corte rápido de alto rendimento). O programa de acessórios **Bosch** garante a qualidade adequada.

Antes de atarraxar parafusos, mais longos e maiores, em materiais duros, deveria furar com o diâmetro do núcleo da rosca até aproximadamente 2/3 do comprimento do parafuso.

Suporte de fixação ao cinto (ver figura E)

Com o suporte de fixação ao cinto (16) pode pendurar a ferramenta elétrica, p. ex., num cinto. Desta forma terá ambas as mãos livres e a ferramenta elétrica estará sempre ao alcance.

Porta-bits (ver figura F)

No porta-bits (17) pode guardar pontas de aparafusar.

Clipe de cor (ver figura G)

O clipe de cor (18) só pode ser usado se não estiver montado o suporte de fixação ao cinto (16) ou o porta-bits.

Manutenção e assistência técnica**Manutenção e limpeza**

- ▶ **A bateria deverá ser retirada antes de todos os trabalhos na ferramenta elétrica (p. ex. manutenção, troca de ferramenta etc.) e antes de transportar ou de armazenar a mesma.** Há perigo de ferimentos se o interruptor de ligar/desligar for acionado involuntariamente.
- ▶ **Mantener a ferramenta elétrica e as aberturas de ventilação sempre limpas, para trabalhar bem e de forma segura.**

Serviço pós-venda e aconselhamento

O serviço pós-venda responde às suas perguntas a respeito de serviços de reparação e de manutenção do seu produto, assim como das peças sobressalentes. Desenhos explodidos e informações acerca das peças sobressalentes também em: www.bosch-pt.com

A nossa equipa de consultores Bosch esclarece com prazer todas as suas dúvidas a respeito dos nossos produtos e acessórios.

Indique para todas as questões e encomendas de peças sobressalentes a referência de 10 dígitos de acordo com a placa de características do produto.

Brasil

Robert Bosch Ltda. – Divisão de Ferramentas Elétricas
Rodovia Anhanguera, Km 98 - Parque Via Norte
13065-900, CP 1195
Campinas, São Paulo
Tel.: 0800 7045 446
www.bosch.com.br/contato

Angola

Robert Bosch Ltd
Divisão de Ferramentas Elétricas
Estrada de Cacuo 288
Luanda
Tel. : +244 927 584 446
<http://www.bosch-professional.com/ao/pt/>

Transporte

As baterias de iões de lítio, contidas, estão sujeitas ao direito de materiais perigosos. As baterias podem ser transportadas na rua pelo utilizador, sem mais obrigações. Na expedição por terceiros (por ex: transporte aéreo ou expedição), devem ser observadas as especiais exigências quanto à embalagem e à designação. Neste caso é

necessário consultar um especialista de materiais perigosos ao preparar a peça a ser trabalhada.

Só enviar baterias se a carcaça não estiver danificada. Colar contactos abertos e embalar a bateria de modo que não possa se movimentar dentro da embalagem. Por favor observe também eventuais diretivas nacionais suplementares.

Eliminação

As ferramentas elétricas, as baterias, os acessórios e as embalagens devem ser enviados a uma reciclagem ecológica de matéria prima.



Não deitar ferramentas elétricas e baterias/pilhas no lixo doméstico!

Baterias/pilhas:**Lítio:**

Observar as indicações no capítulo Transporte (ver "Transporte", Página 30).

Español**Indicaciones de seguridad****Indicaciones generales de seguridad para herramientas eléctricas****⚠ ADVERTENCIA**

Lea íntegramente las advertencias de peligro, las instrucciones, las ilustraciones y las especificaciones entregadas con esta herramienta eléctrica.

En caso de no atenderse a las instrucciones siguientes, ello puede ocasionar una descarga eléctrica, un incendio y/o una lesión grave.

Guardar todas las advertencias de peligro e instrucciones para futuras consultas.

El término "herramienta eléctrica" empleado en las siguientes advertencias de peligro se refiere a herramientas eléctricas de conexión a la red (con cable de red) y a herramientas eléctricas accionadas por acumulador (sin cable de red).

Seguridad del puesto de trabajo

- ▶ **Mantenga el área de trabajo limpia y bien iluminada.** Las áreas desordenadas u oscuras pueden provocar accidentes.
- ▶ **No utilice herramientas eléctricas en un entorno con peligro de explosión, en el que se encuentren combustibles líquidos, gases o material en polvo.** Las herramientas eléctricas producen chispas que pueden llegar a inflamar los materiales en polvo o vapores.
- ▶ **Mantenga alejados a los niños y otras personas de su puesto de trabajo al emplear la herramienta eléctrica.**

Una distracción le puede hacer perder el control sobre la herramienta eléctrica.

Seguridad eléctrica

- ▶ **El enchufe de la herramienta eléctrica debe corresponder a la toma de corriente utilizada. No es admisible modificar el enchufe en forma alguna. No emplear adaptadores en herramientas eléctricas dotadas con una toma de tierra.** Los enchufes sin modificar adecuados a las respectivas tomas de corriente reducen el riesgo de una descarga eléctrica.
- ▶ **Evite que su cuerpo toque partes conectadas a tierra como tuberías, radiadores, cocinas y refrigeradores.** El riesgo a quedar expuesto a una sacudida eléctrica es mayor si su cuerpo tiene contacto con tierra.
- ▶ **No exponga la herramienta eléctrica a la lluvia o a condiciones húmedas.** Existe el peligro de recibir una descarga eléctrica si penetran ciertos líquidos en la herramienta eléctrica.
- ▶ **No abuse del cable de red. No utilice el cable de red para transportar o colgar la herramienta eléctrica, ni tire de él para sacar el enchufe de la toma de corriente. Mantenga el cable de red alejado del calor, aceite, esquinas cortantes o piezas móviles.** Los cables de red dañados o enredados pueden provocar una descarga eléctrica.
- ▶ **Al trabajar con la herramienta eléctrica a la intemperie utilice solamente cables de prolongación apropiados para su uso al aire libre.** La utilización de un cable de prolongación adecuado para su uso en exteriores reduce el riesgo de una descarga eléctrica.
- ▶ **Si fuese imprescindible utilizar la herramienta eléctrica en un entorno húmedo, es necesario conectarla a través de un dispositivo de corriente residual (RCD) de seguridad (fusible diferencial).** La aplicación de un fusible diferencial reduce el riesgo a exponerse a una descarga eléctrica.

Seguridad de personas

- ▶ **Esté atento a lo que hace y emplee sentido común cuando utilice una herramienta eléctrica. No utilice la herramienta eléctrica si estuviese cansado, ni tampoco después de haber consumido drogas, alcohol o medicamentos.** El no estar atento durante el uso de la herramienta eléctrica puede provocarle serias lesiones.
- ▶ **Utilice un equipo de protección personal. Utilice siempre una protección para los ojos.** El riesgo a lesionarse se reduce considerablemente si se utiliza un equipo de protección adecuado como una mascarilla antipolvo, zapatos de seguridad con suela antideslizante, casco, o protectores auditivos.
- ▶ **Evite una puesta en marcha involuntaria. Asegurarse de que la herramienta eléctrica esté desconectada antes de conectarla a la toma de corriente y/o al montar el acumulador, al recogerla y al transportarla.** Si transporta la herramienta eléctrica sujetándola por el interruptor de conexión/desconexión, o si alimenta la herramienta

eléctrica estando ésta conectada, ello puede dar lugar a un accidente.

- ▶ **Retire las herramientas de ajuste o llaves fijas antes de conectar la herramienta eléctrica.** Una herramienta de ajuste o llave fija colocada en una pieza rotante puede producir lesiones al poner a funcionar la herramienta eléctrica.
- ▶ **Evite posturas arriesgadas. Trabaje sobre una base firme y mantenga el equilibrio en todo momento.** Ello le permitirá controlar mejor la herramienta eléctrica en caso de presentarse una situación inesperada.
- ▶ **Lleve puesta una vestimenta de trabajo adecuada. No utilice vestimenta amplia ni joyas. Mantenga su pelo y vestimenta alejados de las piezas móviles.** La vestimenta suelta, el pelo largo y las joyas se pueden enganchar con las piezas en movimiento.
- ▶ **Si se proporcionan dispositivos para la conexión de las instalaciones de extracción y recogida de polvo, asegúrese que éstos estén conectados y que sean utilizados correctamente.** El empleo de estos equipos reduce los riesgos derivados del polvo.
- ▶ **No permita que la familiaridad ganada por el uso frecuente de herramientas eléctricas lo deje caer en la complacencia e ignore las normas de seguridad de herramientas.** Una acción negligente puede causar lesiones graves en una fracción de segundo.

Uso y trato cuidadoso de herramientas eléctricas

- ▶ **No sobrecargue la herramienta eléctrica. Utilice la herramienta eléctrica adecuada para su aplicación.** Con la herramienta eléctrica adecuada podrá trabajar mejor y más seguro dentro del margen de potencia indicado.
- ▶ **No utilice la herramienta eléctrica si el interruptor está defectuoso.** Las herramientas eléctricas que no se puedan conectar o desconectar son peligrosas y deben hacerse reparar.
- ▶ **Saque el enchufe de la red y/o retire el acumulador desmontable de la herramienta eléctrica, antes de realizar un ajuste, cambiar de accesorio o al guardar la herramienta eléctrica.** Esta medida preventiva reduce el riesgo a conectar accidentalmente la herramienta eléctrica.
- ▶ **Guarde las herramientas eléctricas fuera del alcance de los niños. No permita la utilización de la herramienta eléctrica a aquellas personas que no estén familiarizadas con su uso o que no hayan leído estas instrucciones.** Las herramientas eléctricas utilizadas por personas inexpertas son peligrosas.
- ▶ **Cuide las herramientas eléctricas y los accesorios. Controle la alineación de las piezas móviles, rotura de piezas y cualquier otra condición que pudiera afectar el funcionamiento de la herramienta eléctrica. En caso de daño, la herramienta eléctrica debe repararse antes de su uso.** Muchos de los accidentes se deben a herramientas eléctricas con un mantenimiento deficiente.
- ▶ **Mantenga los útiles limpios y afilados.** Los útiles mantenidos correctamente se dejan guiar y controlar mejor.

- ▶ **Utilice la herramienta eléctrica, los accesorios, los útiles, etc. de acuerdo a estas instrucciones, considerando en ello las condiciones de trabajo y la tarea a realizar.** El uso de herramientas eléctricas para trabajos diferentes de aquellos para los que han sido concebidas puede resultar peligroso.
- ▶ **Mantenga las empuñaduras y las superficies de las empuñaduras secas, limpias y libres de aceite y grasa.** Las empuñaduras y las superficies de las empuñaduras resbaladizas no permiten un manejo y control seguro de la herramienta eléctrica en situaciones imprevistas.

Trato y uso cuidadoso de herramientas accionadas por acumulador

- ▶ **Solamente recargar los acumuladores con los cargadores especificados por el fabricante.** Existe un riesgo de incendio al intentar cargar acumuladores de un tipo diferente al previsto para el cargador.
- ▶ **Utilice las herramientas eléctricas sólo con los acumuladores específicamente designados.** El uso de otro tipo de acumuladores puede provocar daños e incluso un incendio.
- ▶ **Si no utiliza el acumulador, guárdelo separado de objetos metálicos, como clips de papel, monedas, llaves, clavos, tornillos u otros objetos metálicos pequeños que pudieran puentear sus contactos.** El cortocircuito de los contactos del acumulador puede causar quemaduras o un incendio.
- ▶ **La utilización inadecuada del acumulador puede provocar fugas de líquido. Evite el contacto con él. En caso de un contacto accidental, enjuagar el área afectada con abundante agua. En caso de un contacto con los ojos, recurra además inmediatamente a ayuda médica.** El líquido del acumulador puede irritar la piel o producir quemaduras.
- ▶ **No emplee acumuladores o útiles dañados o modificados.** Los acumuladores dañados o modificados pueden comportarse en forma imprevisible y producir un fuego, explosión o peligro de lesión.
- ▶ **No ponga un paquete de baterías o una herramienta eléctrica al fuego o a una temperatura demasiado alta.** La exposición al fuego o a temperaturas sobre 130 °C puede causar una explosión.
- ▶ **Siga todas las instrucciones para la carga y no cargue nunca el acumulador o la herramienta eléctrica a una temperatura fuera del margen correspondiente especificado en las instrucciones.** Una carga inadecuada o a temperaturas fuera del margen especificado puede dañar el acumulador y aumentar el riesgo de incendio.

Servicio

- ▶ **Únicamente deje reparar su herramienta eléctrica por un experto cualificado, empleando exclusivamente piezas de repuesto originales.** Solamente así se mantiene la seguridad de la herramienta eléctrica.
- ▶ **No repare los acumuladores dañados.** El mantenimiento de los acumuladores sólo debe ser realizado por el fabricante o un servicio técnico autorizado.

Instrucciones de seguridad para taladradoras y atornilladoras

Instrucciones de seguridad para todas las operaciones

- ▶ **Use protectores auriculares al taladrar por percusión.** La exposición al ruido puede causar una pérdida auditiva.
- ▶ **Sujete la herramienta eléctrica por las superficies de agarre aisladas al realizar trabajos en los que el accesorio de corte o el portaútiles pueda entrar en contacto con conductores eléctricos ocultos.** En el caso del contacto del accesorio de corte o portaútiles con conductores "bajo tensión", las partes metálicas expuestas de la herramienta eléctrica pueden quedar "bajo tensión" y dar al operador una descarga eléctrica.

Instrucciones de seguridad en el caso de utilizar brocas largas

- ▶ **Nunca opere a mayor velocidad que la velocidad máxima de la broca (bit).** A velocidades más altas, el bit se puede doblar si se le permite rotar sin tocar la pieza de trabajo, originando lesiones personales.
- ▶ **Siempre comience a taladrar a baja velocidad y con la punta del bit en contacto con la pieza de trabajo.** A velocidades más altas, el bit se puede doblar si se le permite rotar sin tocar la pieza de trabajo, originando lesiones personales.
- ▶ **Aplique presión sólo en línea directa con el bit y no aplique presión excesiva.** Los bits pueden doblarse y causar roturas o pérdida de control, originando lesiones personales.

Indicaciones de seguridad adicionales

- ▶ **Sostenga firmemente la herramienta eléctrica.** Al apretar y aflojar tornillos, pueden presentarse pares de reacción momentáneos.
- ▶ **Asegure la pieza de trabajo.** Una pieza de trabajo fijada con unos dispositivos de sujeción, o en un tornillo de banco, se mantiene sujeta de forma mucho más segura que con la mano.
- ▶ **Utilice unos aparatos de exploración adecuados para detectar conductores o tuberías ocultas, o consulte a sus compañías abastecedoras.** El contacto con conductores eléctricos puede provocar un incendio o una electrocución. Al dañar una tubería de gas puede producirse una explosión. La perforación de una tubería de agua puede causar daños materiales.
- ▶ **Espere a que se haya detenido la herramienta eléctrica antes de depositarla.** El útil puede engancharse y hacerle perder el control sobre la herramienta eléctrica.
- ▶ **En caso de daño y uso inapropiado del acumulador pueden emanar vapores. El acumulador se puede quemar o explotar.** En tal caso, busque un entorno con aire fresco y acuda a un médico si nota molestias. Los vapores pueden llegar a irritar las vías respiratorias.
- ▶ **No intente abrir el acumulador.** Podría provocar un cortocircuito.
- ▶ **Mediante objetos puntiagudos, como p. ej. clavos o destornilladores, o por influjo de fuerza exterior se**

puede dañar el acumulador. Se puede generar un cortocircuito interno y el acumulador puede arder, humear, explotar o sobrecalentarse.

- **Utilice el acumulador únicamente en productos del fabricante.** Solamente así queda protegido el acumulador contra una sobrecarga peligrosa.



Proteja la batería del calor excesivo, además de, p. ej., una exposición prolongada al sol, la suciedad, el fuego, el agua o la humedad.



Existe riesgo de explosión y cortocircuito.

- **Desconecte inmediatamente la herramienta eléctrica en caso de bloquearse el útil. Esté preparado para los momentos de alta reacción que causa un contragolpe.** El útil se bloquea, si se sobrecarga la herramienta eléctrica o se ladea en la pieza de trabajo a labrar.

Descripción del producto y servicio



Lea íntegramente estas indicaciones de seguridad e instrucciones. Las faltas de observación de las indicaciones de seguridad y de las instrucciones pueden causar descargas eléctricas, incendios y/o lesiones graves.

Por favor, observe las ilustraciones en la parte inicial de las instrucciones de servicio.

Utilización reglamentaria

La herramienta eléctrica está determinada para enroscar y soltar tornillos así como para taladrar en madera, metal, cerámica y plástico. La herramienta GSB está adicionalmente determinada para el taladrado de percusión en ladrillo, mampostería y piedra.

Datos técnicos

Atornilladora taladradora accionada por acumulador		GSB 12V-35	GSB 12V-35	GSB 12V-35 HX
Número de artículo		3 601 JJ9 0..	3 601 JH8 0..	3 601 JJ9 1..
Tensión nominal	V=	12	12	12
Número de revoluciones en vacío ^{A)}				
- 1.a velocidad	min ⁻¹	0-460	0-460	0-460
- 2.a velocidad	min ⁻¹	0-1 750	0-1 750	0-1 750
Número de impactos ^{A)}	min ⁻¹	26 250	-	-
máx. par de atornillado duro/ blando según ISO 5393 ^{A)}	Nm	35/20	35/20	35/20
Ø máx. de taladro (1.a/2.a marcha)				
- Ladrillo	mm	10	-	-
- Acero	mm	10	10	10
- Madera	mm	32	32	32
Capacidad del portabrocas	mm	0,8-10	0,8-10	-
Portaherramientas	mm	-	-	6,35 ¼"
Ø máx. de tornillos	mm	8	8	8

Componentes principales

La numeración de los componentes está referida a la imagen de la herramienta eléctrica en la página ilustrada.

- (1) Portaherramientas
- (2) Portabrocas de sujeción rápida
- (3) Casquillo de enclavamiento (**GSB 12V-35 HX**)
- (4) Anillo de ajuste para preselección del par
- (5) Anillo de ajuste para preselección del modo de operación (GSB)
- (6) Selector de velocidad
- (7) Selector de sentido de giro
- (8) Tecla de desenclavamiento del acumulador^{A)}
- (9) Acumulador^{A)}
- (10) Interruptor de conexión/desconexión
- (11) Indicador del estado de carga del acumulador
- (12) Bombilla "PowerLight"
- (13) Empuñadura (zona de agarre aislada)
- (14) Punta recambiable de destornillador^{A)}
- (15) Portapuntas recambiable universal^{A)}
- (16) Clip de cinturón^{A)}
- (17) Portabits^{A)}
- (18) Clip de color^{A)}

A) **Los accesorios descritos e ilustrados no corresponden al material que se adjunta de serie. La gama completa de accesorios opcionales se detalla en nuestro programa de accesorios.**

Atornilladora taladradora accionada por acumulador		GSB 12V-35	GSR 12V-35	GSR 12V-35 HX
Peso según EPTA-Procedure 01:2014 ^{A)}	kg	1,0–1,2	0,93–1,2	0,75–1,0
Temperatura ambiente recomendada durante la carga	°C	0 ... +35	0 ... +35	0 ... +35
Temperatura ambiente permitida durante el servicio ^{B)} y en el almacenamiento	°C	-20 ... +50	-20 ... +50	-20 ... +50
Acumuladores recomendados		GBA 12V...	GBA 12V...	GBA 12V...
Cargadores recomendados		GAL 12... GAX 18...	GAL 12... GAX 18...	GAL 12... GAX 18...

A) dependiente del acumulador utilizado

B) potencia limitada a temperaturas <0 °C

Informaciones sobre ruidos/vibraciones

		GSB 12V-35	GSR 12V-35	GSR 12V-35 HX
Valores de emisión de ruidos determinados según EN 62841-2-1, EN 62841-2-2 .				
El nivel de ruido valorado con A de la herramienta eléctrica asciende típicamente a				
Nivel de presión sonora	dB(A)	87	73	73
Nivel de potencia acústica	dB(A)	98	84	84
Inseguridad K	dB	5	3	3
¡Usar unos protectores auditivos!				
Valores totales de vibraciones a_h (suma de vectores de tres direcciones) e inseguridad K determinados según EN 62841-2-1, EN 62841-2-2 :				
Taladrado en metal:				
a_h	m/s^2	< 2,5	< 2,5	< 2,5
K	m/s^2	1,5	1,5	1,5
Taladrado de percusión en ladrillo:				
a_h	m/s^2	14,5	-	-
K	m/s^2	1,5	-	-
Tornillos:				
a_h	m/s^2	< 2,5	< 2,5	< 2,5
K	m/s^2	1,5	1,5	1,5

El nivel de vibraciones y el valor de emisiones de ruidos indicados en estas instrucciones han sido determinados según un procedimiento de medición normalizado y pueden servir como base de comparación con otras herramientas eléctricas. También son adecuados para estimar provisionalmente la emisión de vibraciones y ruidos.

El nivel de vibraciones y el valor de emisiones de ruidos indicados han sido determinados para las aplicaciones principales de la herramienta eléctrica. Por ello, el nivel de vibraciones y el valor de emisiones de ruidos pueden ser diferentes si la herramienta eléctrica se utiliza para otras aplicaciones, con útiles diferentes, o si el mantenimiento de la misma fuese deficiente. Ello puede suponer un aumento drástico de la emisión de vibraciones y de ruidos durante el tiempo total de trabajo.

Para determinar con exactitud las emisiones de vibraciones y de ruidos, es necesario considerar también aquellos tiempos en los que el aparato esté desconectado, o bien, esté en funcionamiento, pero sin ser utilizado realmente. Ello puede suponer una disminución drástica de las emisiones de vibraciones y de ruidos durante el tiempo total de trabajo.

Fije unas medidas de seguridad adicionales para proteger al usuario de los efectos por vibraciones, como por ejemplo: Mantenimiento de la herramienta eléctrica y de los útiles, conservar calientes las manos, organización de las secuencias de trabajo.

Montaje

- **Desmonte el acumulador antes de manipular la herramienta eléctrica (p. ej. en el mantenimiento, cambio de útil, etc.) así como al transportarla y guardarla.** En caso contrario podría accidentarse al accionar fortuitamente el interruptor de conexión/desconexión.

Carga del acumulador

- **Utilice únicamente los cargadores que se enumeran en los datos técnicos.** Solamente estos cargadores han sido especialmente adaptados a los acumuladores de iones de litio empleados en su herramienta eléctrica.

Indicación: El acumulador se suministra parcialmente cargado. Con el fin de obtener la plena potencia del acumulador, antes de su primer uso, cárguelo completamente en el cargador.

El acumulador de iones de litio puede recargarse siempre que se quiera, sin que ello merme su vida útil. Una interrupción del proceso de carga no afecta al acumulador.

El acumulador de iones de litio está protegido contra descarga total gracias al sistema de protección electrónica de células "Electronic Cell Protection (ECP)". Si el acumulador está descargado, un circuito de protección se encarga de desconectar la herramienta eléctrica. El útil deja de moverse.

- **En caso de una desconexión automática de la herramienta eléctrica no mantenga accionado el interruptor de conexión/desconexión.** El acumulador podría dañarse.

Observe las indicaciones referentes a la eliminación.

Retirar el acumulador (ver figura A)

Para la extracción del acumulador (9), presione ambas teclas de desenclavamiento (8) y tire hacia abajo el acumulador de la herramienta eléctrica. **No proceda con brusquedad.**

Cambio de útil

- **Desmonte el acumulador antes de manipular la herramienta eléctrica (p. ej. en el mantenimiento, cambio de útil, etc.) así como al transportarla y guardarla.** En caso contrario podría accidentarse al accionar fortuitamente el interruptor de conexión/desconexión.

Colocar el útil: GSR 12V-35 HX (ver figura C)

Tire hacia atrás el casquillo de enclavamiento (3), introduzca hasta el tope el útil en el portaherramientas (1) y suelte de nuevo el casquillo de enclavamiento (3), para fijar el útil.

Tenga en cuenta que el enclavamiento está optimizado para las dimensiones más comunes de las herramientas en el país respectivo.

Colocar el útil: GSB 12V-35/GSR 12V-35 (ver figura B)

Abra el portabrocas de sujeción rápida (2) girando en sentido de giro ⚙, hasta que se pueda colocar el útil. Inserte el útil.

Gire vigorosamente el manguito del portabrocas de sujeción rápida (2) en sentido de giro ⚙ con la mano. El portabrocas se bloquea así automáticamente.

Para desmontar el útil, es preciso desenclavar el portabrocas girando el casquillo en sentido contrario.

Retirar el útil: GSR 12V-35 HX

Tire el casquillo de enclavamiento (3) hacia detrás y retire el útil del alojamiento (1).

Aspiración de polvo y virutas

El polvo de ciertos materiales como, pinturas que contengan plomo, ciertos tipos de madera y algunos minerales y metales, puede ser nocivo para la salud. El contacto y la inspiración de estos polvos pueden provocar en el usuario o en las personas circundantes reacciones alérgicas y/o enfermedades respiratorias.

Ciertos polvos como los de roble, encina y haya son considerados como cancerígenos, especialmente en combinación con los aditivos para el tratamiento de la madera (cromatos, conservantes de la madera). Los materiales que contengan amianto solamente deberán ser procesados por especialistas.

- Observe que esté bien ventilado el puesto de trabajo.
- Se recomienda una mascarilla protectora con un filtro de la clase P2.

Observe las prescripciones vigentes en su país sobre los materiales a trabajar.

- **Evite acumulaciones de polvo en el puesto de trabajo.** Los materiales en polvo se pueden inflamar fácilmente.

Operación

Puesta en marcha

Montaje del acumulador

Indicación: La utilización de acumuladores no adecuados para su herramienta eléctrica puede causar un funcionamiento anómalo o un daño a la herramienta eléctrica.

Colocar el selector de sentido de giro (7) en el centro, para evitar una conexión involuntaria. Coloque el acumulador (9) cargado en la empuñadura, hasta que encastre perceptiblemente y quede enrasado en la empuñadura.

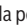
Ajustar el sentido de giro (ver figura D)


Con el selector de sentido de giro (7) puede modificar el sentido de giro de la herramienta eléctrica. Sin embargo, esto no es posible con el interruptor de conexión/desconexión (10) presionado.

Rotación a la derecha: Para taladrar y enroscar tornillos, presione el selector de sentido de giro (7) hacia la izquierda hasta el tope.

Rotación a la izquierda: Para soltar o desenroscar tornillos, presione el selector de sentido de giro (7) hacia la derecha hasta el tope.

Preselección del par de giro

Con el anillo de ajuste para preselección de par **(4)** puede preseleccionar el par de giro necesario en 20 escalones. En el caso de un ajuste correcto, la herramienta eléctrica se para tan pronto se ha enroscado a ras el tornillo en el material o se ha alcanzado el par de giro ajustado. En la posición  está desactivado el acoplamiento tipo carraca, p. ej. para taladrar.

Al desenroscar tornillos, seleccione eventualmente un ajuste más elevado o elija la posición del símbolo .

Selector de velocidad mecánico

► **Accione el selector de velocidad (6) sólo con la herramienta eléctrica en reposo.**

Con el selector de velocidad **(6)** se pueden preseleccionar 2 márgenes de revoluciones.

Velocidad I:

Campo de bajas revoluciones; para atornillar o realizar perforaciones grandes.

Velocidad II:

Campo de altas revoluciones; para perforaciones pequeñas.

Ajuste del modo de operación



Taladrado GSR

Ponga el anillo de ajuste de la selección del par de giro **(4)** en la posición del símbolo "Taladrado".

GSB

Ponga el anillo de ajuste de la preselección del modo de operación **(5)** en la posición del símbolo "Taladrado".



Atornillado GSR

Regule el anillo de ajuste de la preselección del par de giro **(4)** al par de giro deseado.

GSB

Ponga el anillo de ajuste de la preselección del modo de operación **(5)** en la posición del símbolo "Atornillado".

Regule el anillo de ajuste de la preselección del par de giro **(4)** al par de giro deseado.



Taladrado de percusión (GSB)

Ponga el anillo de ajuste de la preselección del modo de operación **(5)** en la posición del símbolo "Taladrado de percusión".

Ajuste de las revoluciones/frecuencia de percusión

Puede regular en forma continua el número de revoluciones/la frecuencia de percusión de la herramienta eléctrica conectada, según la presión ejercida sobre el interruptor de conexión/desconexión **(10)**.

Una ligera presión en el interruptor de conexión/desconexión **(10)** causa bajo número de revoluciones/frecuencia de percusión. Aumentando paulatinamente la presión se van aumentando en igual medida el número de revoluciones/la frecuencia de percusión.

Conexión/desconexión

Para la **puesta en marcha** de la herramienta eléctrica, accionar y mantener en esa posición el interruptor de conexión/desconexión **(10)**.

Para **desconectar** la herramienta eléctrica, suelte el interruptor de conexión/desconexión **(10)**.

Retención automática del husillo (Auto-Lock)

Cuando el interruptor de conexión/desconexión **(10)** no está presionado, el husillo de taladrar y así el portaútiles **(1)** está bloqueado.

Esto permite enroscar tornillos a mano también con el acumulador **(9)** descargado o emplear la herramienta eléctrica como destornillador.

Indicador del estado de carga del acumulador

El indicador de estado de carga del acumulador **(11)** indica, con la tecla de conexión/desconexión **(10)** presionada hasta la mitad o totalmente, durante unos segundos el estado de carga del acumulador y consta de 3 LEDs verdes.

Los 3 LEDs del indicador de estado de carga del acumulador **(11)** y la lámpara **(12)** parpadean rápidamente, cuando la temperatura del acumulador se encuentra fuera del margen de temperaturas de servicio de -20 hasta +50 °C.

Diodo luminoso (LED)	Capacidad
3 LED verdes encendidos	≥ 76 %
2 LED verdes encendidos	51-75 %
1 LED verde encendido	26-50 %
1 LED verde con lento parpadeo	≤ 25 %

Protección contra sobrecarga térmica

La herramienta eléctrica no puede sobrecargarse si se realiza un uso apropiado y conforme a lo descrito. En caso de una carga excesiva, la electrónica desconecta la herramienta eléctrica, hasta que haya alcanzado de nuevo una temperatura de operación admisible.

Este estado se señala por una luz en movimiento de los tres LEDs del indicador de estado de carga del acumulador **(11)**. Los LEDs se apagan, cuando la herramienta eléctrica ha alcanzado de nuevo la temperatura de servicio óptima.

Instrucciones de trabajo

► **Solamente aplique la herramienta eléctrica desconectada contra la tuerca o tornillo.** Los útiles en rotación pueden resbalar.

Tras un trabajo prolongado con pequeño número de revoluciones, debería dejar funcionar herramienta eléctrica durante aprox. 3 minuto con máximo número de revoluciones en vacío para el enfriamiento.

Cuando taladre en metal, use solo brocas HSS afiladas y perfectas (HSS=Acero de alta velocidad). La calidad correspondiente la garantiza el programa de accesorios **Bosch**.

Antes de enroscar tornillos grandes y largos en materiales duros deberá taladrarse un agujero con el diámetro del núcleo de la rosca a una profundidad aprox. correspondiente a 2/3 de la longitud del tornillo.

Clip de cinturón (ver figura E)

El clip de cinturón (16) le permite enganchar la herramienta eléctrica, p. ej., a un cinturón. De esta manera le quedan libres ambas manos y tiene siempre accesible la herramienta eléctrica.

Portabits (ver figura F)

En el portabits (17) puede colocar bits de atornillar para el almacenamiento.

Clip de color (ver figura G)

El clip de color (18) solamente se puede utilizar, si no están montados el clip de cinturón (16) o el portabits .

Mantenimiento y servicio**Mantenimiento y limpieza**

- ▶ **Desmonte el acumulador antes de manipular la herramienta eléctrica (p. ej. en el mantenimiento, cambio de útil, etc.) así como al transportarla y guardarla.** En caso contrario podría accidentarse al accionar fortuitamente el interruptor de conexión/desconexión.
- ▶ **Mantenga limpia la herramienta eléctrica y las rejillas de refrigeración para trabajar con eficacia y seguridad.**

Servicio técnico y atención al cliente

El servicio técnico le asesorará en las consultas que pueda Ud. tener sobre la reparación y mantenimiento de su producto, así como sobre piezas de recambio. Las representaciones gráficas tridimensionales e informaciones de repuestos se encuentran también bajo: **www.bosch-pt.com**

El equipo asesor de aplicaciones de Bosch le ayuda gustosamente en caso de preguntas sobre nuestros productos y sus accesorios.

Para cualquier consulta o pedido de piezas de repuesto es imprescindible indicar el nº de artículo de 10 dígitos que figura en la placa de características del producto.

Argentina

Robert Bosch Argentina Industrial S.A.
Calle Blanco Encalada 250 – San Isidro
B1642AMQ
Ciudad Autónoma de Buenos Aires
Tel.: (54) 11 5296 5200
E-Mail: herramientas.bosch@ar.bosch.com
www.argentina.bosch.com.ar

Chile

Robert Bosch Chile S.A.
Calle El Cacique, 0258 Providencia
7750000
Santiago de Chile
Tel.: (56) 02 782 0200
www.bosch.cl

Colombia

Robert Bosch Ltda
Av. Cra 45, # 108A-50, piso 7
Bogotá D.C.
Tel.: (57) 1 658 5010
www.colombia.bosch.com.co

Ecuador

Robert Bosch Sociedad Anónima
Av. Rodrigo Chávez Gonzalez, Parque Empresarial Colón,
Edif. Colconcorp Piso 1 Local 101-102
Guayaquil
Tel.: (593) 371 9100 ext. 214-215
E-mail: herramientas.bosch4@ec.bosch.com
www.boschherramientas.com.ec

México

Robert Bosch S. de R.L. de C.V.
Calle Robert Bosch No. 405
C.P. 50071 Zona Industrial, Toluca - Estado de México
Tel.: (52) 55 528430-62
Tel.: 800 6271286
www.bosch-herramientas.com.mx

Panamá

Robert Bosch Panamá, S.A.
Punta Pacifica, Av 8va Sur y Calle 56 Est Ed Paitilla
Of. Tower
Ciudad de Panamá
Tel.: (507) 301-0960
www.boschherramientas.com.pa

Perú

Robert Bosch S.A.C.
Av. Primavera 781 Piso 2, Urb. Chacarilla
San Borja Lima
Tel.: (51) 1 706 1100
www.bosch.com.pe

Venezuela

Robert Bosch S.A.
Calle Vargas con Buen Pastor, Edif. Alba, P-1, Boleita Norte,
Caracas 1071
Tel.: (58) 212 207-4511
www.boschherramientas.com.ve

Bolivia

Hansa
Calle Yanacocha esp. Mercado # 1004
Casilla 10800. La Paz.
Tel. Hansa: (591) 2 240 7777
Tel. Bosch: 800 10 0014
www.hansaindustria.com.bo

Costa Rica

Cofersa
Pozos de Santa Ana, de Hules Técnicos 200 metros este
San José
Tel.: (506) 2205 2525
www.bosch.co.cr

Republica Dominicana

MDH SRL
Entre Privada y Caonabo lado Norte

Santo Domingo, Distrito Nacional
Tel.: (1) 534-3020
www.bosch.do

El Salvador

Proyesa
Calle Gerardo Barrios y 27 Av. Sur, # 1507
San Salvador
Tel.: (503) 2559 9999
www.bosch.com.sv

Guatemala

Edisa
8a. Calle 6-60, Zona 4
1004
Cuidad de Guatemala
Tel.: (502) 2494 0000
www.bosch.com.gt

Honduras

Indufesa
Av. Juan Pablo II cont. a Casa Presidencial
Tegucigalpa, Francisco Morazán
Tel.: (504) 0 239 9953
www.bosch.hn

Nicaragua

MADINISA
Km 3 Carretera Norte, Edificio Armando Guido 3c. abajo
Managua
Tel.: (505) 2249 8152
Tel.: (505) 2249 8153
www.bosch.nom.ni

Paraguay

Robert Bosch Sociedad Anonima
Av. General José de San Martín esq. Austria, Piso 8, oficina 5
1585
Asunción
Tel.: (595) 994 972 168
www.bosch.com.py

Uruguay

Robert Bosch Uruguay S.A.
Av. Italia 7519, local A 004 (esq. Barradas)
11500
Montevideo
Tel.: (598) 2604 7010
E-mail: herramientas.bosch@uy.bosch.com
www.bosch.uy.com

Transporte

Los acumuladores de iones de litio incorporados están sujetos a los requerimientos estipulados en la legislación sobre mercancías peligrosas. Los acumuladores pueden ser transportados por carretera por el usuario sin más imposiciones. En el envío por terceros (p.ej., transporte aéreo o por agencia de transportes) deberán considerarse las exigencias especiales en cuanto a su embalaje e identificación. En este caso deberá recurrirse a los servicios de un experto en mercancías peligrosas al preparar la pieza para su envío.

Únicamente envíe acumuladores si su carcasa no está dañada. Si los contactos no van protegidos cúbralos con cinta adhesiva y embale el acumulador de manera que éste no se pueda mover dentro del embalaje. Observe también las prescripciones adicionales que pudieran existir al respecto en su país.

Eliminación



Las herramientas eléctricas, acumuladores, accesorios y embalajes deberán someterse a un proceso de recuperación que respete el medio ambiente.



¡No arroje las herramientas eléctricas, acumuladores o pilas a la basura!

Acumuladores/pilas:

iones de Litio:

Por favor, observe las indicaciones en el apartado Transporte (ver "Transporte", Página 38).



El símbolo es solamente válido, si también se encuentra sobre la placa de características del producto/fabricado.

Português do Brasil

Indicações de segurança

Instruções gerais de segurança para ferramentas elétricas

AVISO

Leia todas as indicações de segurança, instruções, ilustrações

e especificações fornecidas com esta ferramenta

elétrica. O desrespeito das instruções apresentadas abaixo poderá resultar em choque elétrico, incêndio e/ou ferimentos graves.

Guarde todas as advertências e instruções para futura referência.

O termo "ferramenta elétrica" usado nas advertências refere-se a ferramentas elétricas operadas com corrente de rede (com fio) ou ferramentas elétricas operadas com acumulador (sem fio).

Segurança da área de trabalho

- ▶ **Mantenha a área de trabalho limpa e bem iluminada.**
As áreas de trabalho desarrumadas ou escuras podem levar a acidentes.
- ▶ **Não opere as ferramentas elétricas em atmosferas explosivas, ou seja, na presença de líquidos, gases ou**

pós inflamáveis. As ferramentas elétricas produzem chispas, que podem inflamar os pós ou vapores.

- ▶ **Mantenha as crianças e outras pessoas afastadas da ferramenta elétrica durante o uso.** As distrações podem resultar na perda do controle.

Segurança elétrica

- ▶ **A ficha de conexão da ferramenta elétrica deve combinar com a tomada. Jamais modifique o plugue de alguma forma. Não use plugues de adaptador junto com ferramentas elétricas aterradas.** Plugues não modificados e tomadas apropriadas reduzem o risco de choque elétrico.
- ▶ **Evite o contato do corpo com superfícies aterradas, como tubos, aquecedores, fogões e geladeiras.** Há um risco elevado de choque elétrico se seu corpo estiver aterrado.
- ▶ **Mantenha as ferramentas elétricas afastadas da chuva ou umidade.** A entrada de água em uma ferramenta elétrica aumenta o risco de choque elétrico.
- ▶ **Não use o cabo para outras finalidades. Jamais use o cabo para transportar, puxar ou desconectar a ferramenta elétrica. Mantenha o cabo afastado do calor, do óleo, de arestas afiadas ou de partes móveis.** Os cabos danificados ou emaranhados aumentam o risco de um choque elétrico.
- ▶ **Ao operar uma ferramenta elétrica ao ar livre, use um cabo de extensão adequado para áreas exteriores.** O uso de um cabo de extensão apropriado para áreas exteriores reduz o risco de choque elétrico.
- ▶ **Se não for possível evitar o funcionamento da ferramenta elétrica em áreas úmidas, deverá usar um disjuntor de corrente de avaria.** O uso de um disjuntor de corrente de avaria reduz o risco de um choque elétrico.

Segurança pessoal

- ▶ **Esteja atento, observe o que está fazendo e use o bom senso ao operar uma ferramenta elétrica. Não use uma ferramenta elétrica quando estiver fatigado ou sob a influência de drogas, álcool ou medicamentos.** Um momento de descuido ao operar ferramentas elétricas pode resultar em lesões graves.
- ▶ **Use equipamento de proteção individual. Use sempre óculos de proteção.** O uso de equipamento de proteção individual, como máscara de proteção contra poeira, sapatos de segurança antiderrapantes, capacete de segurança ou proteção auricular, usado nas condições adequadas irá reduzir o risco de ferimentos pessoais.
- ▶ **Evite a colocação em funcionamento involuntária. Assegure-se de que o interruptor está na posição de desligado antes de conectar à alimentação de rede e/ou ao acumulador, antes de pegar ou transportar a ferramenta.** Se transportar ferramentas elétricas com o seu dedo no interruptor ou se energizar ferramentas elétricas com o interruptor ligado, poderão ocorrer acidentes.

- ▶ **Remova qualquer ferramenta ou chave de ajuste antes de ligar a ferramenta elétrica.** Uma ferramenta ou chave ainda ligada a uma parte rotativa da ferramenta elétrica pode resultar em ferimentos pessoais.
- ▶ **Evite uma posição anormal. Mantenha uma posição firme e mantenha sempre o equilíbrio.** Desta forma é mais fácil controlar a ferramenta elétrica em situações inesperadas.
- ▶ **Use vestuário apropriado. Não use roupa larga nem joias. Mantenha seus cabelos e roupas afastados de partes móveis.** As roupas largas, joias ou cabelos longos podem ser agarrados por partes móveis.
- ▶ **Se for possível montar dispositivos de aspiração ou de coleta, assegure-se de que são conectados e usados corretamente.** O uso de um dispositivo de coleta de poeira pode reduzir os riscos associados a poeiras.
- ▶ **Não deixe que a familiaridade resultante do uso frequente de ferramentas permita que você se torne complacente e ignore os princípios de segurança da ferramenta.** Uma ação descuidada pode causar ferimentos graves numa fração de segundo.

Uso e manuseio cuidadoso da ferramenta elétrica

- ▶ **Não sobrecarregue a ferramenta elétrica. Use a ferramenta elétrica correta para a sua aplicação.** É melhor e mais seguro trabalhar com a ferramenta elétrica apropriada na área de potência para a qual foi projetada.
- ▶ **Não use a ferramenta elétrica se o interruptor estiver defeituoso.** Qualquer ferramenta elétrica que não pode mais ser controlada com o interruptor é perigosa e deve ser reparada.
- ▶ **Desconecte o plugue da alimentação e/ou remova o acumulador, se amovível, da ferramenta elétrica antes de efetuar ajustes, trocar acessórios ou guardas as ferramentas elétricas.** Essas medidas de segurança preventivas reduzem o risco de partida involuntária da ferramenta elétrica.
- ▶ **Guarde as ferramentas elétricas não utilizadas fora do alcance das crianças e não permita que as pessoas que não estejam familiarizadas com a ferramenta elétrica ou com essas instruções usem a ferramenta elétrica.** As ferramentas elétricas são perigosas nas mãos de usuários não treinados.
- ▶ **Trate as ferramentas elétricas e acessórios com cuidado. Verifique se existe desalinhamento ou emperramento das partes móveis, se há peças quebradas ou outra condição que possa afetar o funcionamento da ferramenta elétrica. Se houver danos, repare a ferramenta elétrica antes do uso.** Muitos acidentes são causados ferramentas elétricas com manutenção insuficiente.
- ▶ **Mantenha as ferramentas de corte afiadas e limpas.** As ferramentas de corte cuidadosamente mantidas e com arestas de corte afiadas emperram com menos frequência e são mais fáceis de controlar.
- ▶ **Use a ferramenta elétrica, acessórios, bits etc. de acordo com essas instruções, considerando as**

condições de trabalho e o trabalho a executar. O uso da ferramenta elétrica em tarefas diferentes das previstas poderá resultar em uma situação perigosa.

- ▶ **Mantenha as empunhadeiras e as superfícies de agarrar secas, limpas e livres de óleo e graxa.** As empunhadeiras e superfícies de agarrar escorregadias não permitem o manuseio e controle seguros da ferramenta em situações inesperadas.

Manuseio e uso cuidadoso da ferramenta com acumulador

- ▶ **Somente carregue com o carregador especificado pelo fabricante.** Um carregador adequado para um certo tipo de acumulador pode originar um risco de incêndio se for usado com outro tipo de acumulador.
- ▶ **Use somente as ferramentas elétricas com os acumuladores especificados.** O uso de outros acumuladores pode resultar num risco de ferimentos e de incêndio.
- ▶ **Quando o acumulador não está sendo usado, mantenha-o afastado de outros objetos metálicos, como cliques, moedas, chaves, pregos, parafusos ou outros objetos metálicos pequenos que possam estabelecer a conexão entre terminais.** O curto-circuito dos terminais do acumulador pode causar queimaduras ou um incêndio.
- ▶ **Sob condições abusivas, o líquido pode vazar do acumulador; evite o contato. Em caso de contato acidental, enxague com água. Se o líquido entrar em contato com os olhos, consulte um médico.** O líquido que vaza do acumulador pode causar irritações ou queimaduras.
- ▶ **Não use um acumulador ou uma ferramenta danificada ou modificada.** Os acumuladores danificados ou modificados exibem um comportamento imprevisível podendo causar incêndio, explosão ou risco de ferimentos.
- ▶ **Não exponha o acumulador ou a ferramenta ao fogo ou temperaturas excessivas.** A exposição ao fogo ou a temperaturas acima de 130°C pode causar explosão.
- ▶ **Siga todas as instruções de carregamento e não carregue o acumulador ou a ferramenta fora da faixa de temperatura especificada nas instruções.** O carregamento inadequado ou a temperaturas fora da faixa especificada pode danificar o acumulador e aumentar o risco de incêndio.

Serviço

- ▶ **Somente permita que a sua ferramenta elétrica seja reparada por pessoal qualificado e usando peças de reposição originais.** Só dessa forma é assegurada a segurança da ferramenta elétrica.
- ▶ **Jamais tente reparar acumuladores danificados.** O reparo de acumuladores deve ser somente realizado pelo fabricante ou por prestadores de serviços autorizados.

Instruções de segurança para furadeiras e parafusadeiras

Instruções de segurança para todas as operações

- ▶ **Use protetores auriculares ao perfurar no modo de impacto.** A exposição ao ruído pode causar perda de auditiva.
- ▶ **Segure a ferramenta elétrica pela superfície isolada de manuseio, ao realizar uma operação onde o acessório de corte ou os elementos de fixação podem entrar em contato com a fixação oculta.** O contato do acessório de corte ou dos elementos de fixação a um fio "vivo" pode tornar "vivas" as partes metálicas expostas da ferramenta e pode resultar ao operador um choque elétrico.

Instruções de segurança no uso de brocas longas

- ▶ **Nunca opere a uma velocidade maior do que a velocidade nominal máxima da broca.** Em velocidades elevadas, há a possibilidade da broca entortar se girar livremente sem entrar em contato com a peça de trabalho, resultando em lesão pessoal grave.
- ▶ **Comece sempre a perfurar em baixa velocidade e com a ponta da broca em contato com a peça de trabalho.** Em velocidade elevada, há a possibilidade de a broca entortar se girar livremente sem entrar em contato com a peça de trabalho, resultando em lesão pessoal grave.
- ▶ **Aplique pressão somente em linha direta com a broca e não aplique pressão excessiva.** A broca pode entortar causando a ruptura ou a perda de controle, resultando em lesão pessoal.

Instruções de segurança adicionais

- ▶ **Segure bem a ferramenta elétrica.** Ao apertar ou soltar parafusos podem ocorrer momentos de reação elevados.
- ▶ **Fixar a peça a ser trabalhada.** Uma peça a ser trabalhada fixa com dispositivos de aperto ou com um torno de bancada está mais firme do que segurada com a mão.
- ▶ **Utilizar detectores apropriados, para encontrar cabos escondidos, ou consultar a companhia elétrica local.** O contato com cabos elétricos pode provocar fogo e choques elétricos. Danos em tubos de gás podem levar a explosões. A penetração em um cano de água causa danos materiais.
- ▶ **Espere a ferramenta elétrica parar completamente, antes de depositá-la.** O acessório acoplável pode emperrar e levar à perda de controle sobre a ferramenta elétrica.
- ▶ **Em caso de danos e de utilização incorreta da bateria, podem escapar vapores. A bateria pode incendiar-se ou explodir.** Arejar bem o local de trabalho e consultar um médico se forem constatados quaisquer sintomas. Os vapores podem irritar as vias respiratórias.
- ▶ **Não abra a bateria.** Existe perigo de curto-circuito.
- ▶ **A bateria pode ser danificada com objetos pontiagudos como p. ex. prego ou chave de parafusos ou devido à influência de força externa.** Pode ocorrer

um curto-circuito interno e a bateria pode arder, deitar fumo, explodir ou sobreaquecer.

- **Usar a bateria apenas em produtos do fabricante.** Só assim é que a bateria fica protegida contra sobrecarga perigosa.



Proteja a bateria do calor, p. ex. radiação solar permanente, fogo, sujeira, água e umidade. Há risco de explosão ou de um curto-circuito.



- **Desligue de imediato a ferramenta elétrica se o acessório acoplável ficar bloqueado. Esteja preparado para torques de reação altos que causam um contragolpe.** O acessório acoplável fica bloqueado se a ferramenta elétrica é sobrecarregada ou se ficar emperrada em uma peça a ser trabalhada.

Descrição do produto e especificações



Le todas as indicações de segurança e instruções. O desrespeito das advertências e das instruções de segurança apresentadas abaixo pode causar choque elétrico, incêndio e/ou graves lesões.

Respeite as ilustrações na parte da frente do manual de instruções.

Utilização adequada

A ferramenta elétrica é adequada para apertar e soltar parafusos, bem como para furar madeira, metal, cerâmica e plástico. O GSB também é adequado para furar com impacto em tijolo, alvenaria e pedra.

Dados técnicos

Furadeira sem fio		GSB 12V-35	GSB 12V-35	GSB 12V-35 HX
Nº do produto		3 601 JJ9 0..	3 601 JH8 0..	3 601 JJ9 1..
Tensão nominal	V=	12	12	12
Velocidade da marcha lenta ^{A)}				
– 1ª velocidade	r.p.m.	0–460	0–460	0–460
– 2ª velocidade	r.p.m.	0–1 750	0–1 750	0–1 750
Nº de impactos ^{A)}	min ⁻¹	26 250	–	–
Torque máx. em materiais duros/macios segundo a norma ISO 5393 ^{A)}	Nm	35/20	35/20	35/20
Furo máx. (1ª/2ª velocidade)				
– Alvenaria	mm	10	–	–
– Aço	mm	10	10	10
– Madeira	mm	32	32	32
Faixa de aperto do mandril	mm	0,8–10	0,8–10	–
Mandril	mm	–	–	6,35 ¼"
Máximo diâmetro do parafuso	mm	8	8	8

Componentes ilustrados

A numeração dos componentes ilustrados refere-se à apresentação da ferramenta elétrica na página de esquemas.

- (1) Mandril
- (2) Mandril de aperto rápido
- (3) Bronzina de travamento (GSR 12V-35 HX)
- (4) Anel de ajuste da pré-seleção do torque
- (5) Anel de ajuste da pré-seleção do modo de funcionamento (GSB)
- (6) Seletor de marchas
- (7) Comutador de reversão
- (8) Botão de destravamento da bateria^{A)}
- (9) Bateria^{A)}
- (10) Interruptor de ligar/desligar
- (11) Indicador do nível de carga da bateria
- (12) Lâmpada "PowerLight"
- (13) Punho (superfície de aderência isolada)
- (14) Ponta parafusadora^{A)}
- (15) Suporte universal de brocas^{A)}
- (16) Clipe de suporte para cinto^{A)}
- (17) Porta-bits^{A)}
- (18) Clipe colorido^{A)}

A) **Acessórios apresentados ou descritos não pertencem ao volume de fornecimento. Todos os acessórios encontram-se no nosso catálogo de acessórios.**

Furadeira sem fio		GSB 12V-35	GSR 12V-35	GSR 12V-35 HX
Peso conforme EPTA-Procedure 01:2014 ^{A)}	kg	1,0–1,2	0,93–1,2	0,75–1,0
Temperatura ambiente recomendada ao carregar	°C	0 ... +35	0 ... +35	0 ... +35
Temperatura ambiente admissível durante o funcionamento ^{B)} e durante o armazenamento	°C	-20 ... +50	-20 ... +50	-20 ... +50
Baterias recomendadas		GBA 12V...	GBA 12V...	GBA 12V...
Carregadores recomendados		GAL 12... GAX 18...	GAL 12... GAX 18...	GAL 12... GAX 18...

A) depende da bateria utilizada

B) potência limitada a temperaturas <0 °C

Informação sobre ruídos/vibrações

	GSB 12V-35	GSR 12V-35	GSR 12V-35 HX
--	------------	------------	---------------

Os valores de emissão de ruído foram determinados de acordo com **EN 62841-2-1**, **EN 62841-2-2**.

O nível sonoro avaliado "A" da ferramenta elétrica normalmente é

Nível de pressão sonora	dB(A)	87	73	73
Nível de potência sonora	dB(A)	98	84	84
Incerteza K	dB	5	3	3

Usar proteção auditiva!

Valores totais de vibração a_h (soma vetorial nas três direções) e incerteza K determinada em função da **EN 62841-2-1**, **EN 62841-2-2**:

Furar em metal:				
a_h	m/s^2	< 2,5	< 2,5	< 2,5
K	m/s^2	1,5	1,5	1,5
Furar com impacto em tijolo:				
a_h	m/s^2	14,5	-	-
K	m/s^2	1,5	-	-
Parafusar:				
a_h	m/s^2	< 2,5	< 2,5	< 2,5
K	m/s^2	1,5	1,5	1,5

Os níveis de vibrações indicados nestas instruções e o valor de emissão de ruído foram medidos de acordo com um método de medição padronizado e podem ser usados para comparar ferramentas elétricas entre si. Também são adequados para uma avaliação preliminar das emissões de vibrações e ruído.

Os níveis de vibrações indicados e o valor de emissão de ruído representam as principais aplicações da ferramenta elétrica. No entanto, se a ferramenta elétrica for usada para outras aplicações, com diferentes acessórios acopláveis ou com manutenção insuficiente, os níveis de vibrações e o valor de emissão de ruído podem ser diferentes. Isso pode aumentar significativamente as emissões de vibrações e ruído durante todo o período de trabalho.

Para uma estimativa precisa das emissões de vibrações e ruído, também devem ser considerados os momentos em que a ferramenta está desligada ou em funcionamento, mas não está realmente em uso. Isso pode reduzir significativamente as emissões de vibrações e ruído durante todo o período de trabalho.

Além disso também deverão ser estipuladas medidas de segurança para proteger o operador contra o efeito de vibrações, como por exemplo: a manutenção das ferramentas elétricas e dos acessórios acopláveis, luvas durante o trabalho e a organização dos processos de trabalho.

Montagem

- ▶ **Retire a bateria da ferramenta elétrica antes de qualquer trabalho na ferramenta elétrica (p. ex. manutenção, troca de acessório, etc.), assim como para transporte e armazenamento da mesma.** Em caso de acionamento inadvertido do interruptor de ligar/desligar existe perigo de ferimentos.

Carregar a bateria

- ▶ **Utilize somente os carregadores indicados nos dados técnicos.** Somente estes carregadores são adequados para a bateria de íons de lítio utilizada na sua ferramenta elétrica.

Nota: A bateria é fornecida parcialmente carregada. Para assegurar a completa potência da bateria, a bateria deverá ser carregada completamente no carregador antes da primeira utilização.

A bateria de íons de lítio pode ser carregada a qualquer momento, sem que a sua vida útil seja reduzida. Uma interrupção do processo de carga não danifica a bateria.

A bateria de íons de lítio está protegida contra descarga profunda através da "Electronic Cell Protection (ECP)". Quando a bateria fica descarregada, a ferramenta elétrica se desliga através do desligamento de proteção: a ferramenta de trabalho não se move mais.

- ▶ **Depois do desligamento automático da ferramenta elétrica, não continue pressionando o interruptor de ligar/desligar.** Isso pode danificar a bateria.

Observar a indicação sobre a eliminação de forma ecológica.

Retirar a bateria (ver figura A)

Para retirar a bateria (9) pressione ambos os botões de destravamento (8) e puxe a bateria para fora da ferramenta elétrica. **Ao fazê-lo, não aplique força.**

Troca de ferramenta

- ▶ **Retire a bateria da ferramenta elétrica antes de qualquer trabalho na ferramenta elétrica (p. ex. manutenção, troca de acessório, etc.), assim como para transporte e armazenamento da mesma.** Em caso de acionamento inadvertido do interruptor de ligar/desligar existe perigo de ferimentos.

Introduzir a ferramenta de trabalho: GSR 12V-35 HX (ver figura C)

Puxe a bronzina de travamento (3) para trás, introduza a ferramenta de trabalho até ao batente no mandril (1) e volte a soltar a bronzina de travamento (3), para fixar a ferramenta de trabalho.

Tenha em atenção que o travamento está otimizado para a dimensão da ferramenta de trabalho mais amplamente usada no respectivo país.

Introduzir a ferramenta de trabalho: GSB 12V-35/GSR 12V-35 (ver figura B)

Abra o mandril de aperto rápido (2) rodando no sentido ⚙ até a ferramenta poder ser colocada. Coloque a ferramenta.

Rode o soquete do mandril de aperto rápido (2) no sentido ⚙ manualmente com força. Dessa forma, o soquete do mandril é bloqueado automaticamente.

O bloqueio se solta novamente quando rodar o soquete no sentido oposto para soltar a ferramenta.

Retirar a ferramenta de trabalho: GSR 12V-35 HX

Puxe a bronzina de travamento (3) para trás e retire a ferramenta de trabalho do encabadouro (1).

Aspiração de pó/de aparas

Pós de materiais, como por exemplo, tintas que contêm chumbo, alguns tipos de madeira, minerais e metais, podem ser nocivos à saúde. O contato com os pós ou a inalação dos mesmos pode provocar reações alérgicas e/ou doenças nas vias respiratórias do utilizador ou das pessoas que se encontrem por perto.

Certos pós, como por exemplo pó de carvalho e faia são considerados como sendo cancerígenos, especialmente quando juntos com substâncias para o tratamento de madeiras (cromato, preservadores de madeira). Material que contem amianto só deve ser processado por pessoal especializado.

- Assegurar uma boa ventilação do local de trabalho.
- É recomendável usar uma máscara de proteção respiratória com filtro da classe P2.

Observe as diretrizes, vigentes no seu país, relativas aos materiais a serem trabalhados.

- ▶ **Evitar acúmulos de pó no local de trabalho.** Pós podem se inflamar levemente.

Funcionamento

Colocação em funcionamento

Colocar bateria

Nota: A utilização de baterias não adequadas para sua ferramenta elétrica pode originar falhas de funcionamento ou danos na ferramenta elétrica.

Coloque o comutador do sentido de rotação (7) ao centro para evitar uma ligação acidental. Coloque a bateria (9) carregada no punho até engatar audivelmente e ficar à face com o punho.


Ajustar sentido de rotação (ver figura D)


Com o comutador do sentido de rotação (7) pode alterar o sentido de rotação da ferramenta elétrica. No entanto, tal não é possível com o interruptor de ligar/desligar (10) pressionado.

Rotação à direita: Para furar e apertar parafusos, pressione o comutador do sentido de rotação (7) para a esquerda até ao limitador.

Rotação à esquerda: Para soltar ou desparafusar parafusos, pressione o comutador de reversão (7) para a direita até que ele pare.

Pré-selecionar o torque

Com o anel de ajuste de pré-seleção do torque **(4)** é possível pré-selecionar o torque necessário em 20 níveis. Com o ajuste correto, a ferramenta de trabalho é parada assim que o parafuso esteja à face do material ou o torque ajustado seja atingido. Na posição  a embreagem de segurança por desengate está desativada, p. ex. para furar.

Para soltar parafusos, selecione eventualmente um ajuste mais elevado ou coloque no símbolo .

Ajuste mecânico da velocidade

► Acione o interruptor de regulação da velocidade **(6)** somente com a ferramenta elétrica parada.

Com o interruptor de regulação da velocidade **(6)** podem ser pré-selecionados 2 regimes de rotações.

Velocidade I:

Regime de rotações mais baixo; para aparafusar ou trabalhar com grandes diâmetros de perfuração.

Velocidade II:

Regime de rotações mais alto; para trabalhar com pequenos diâmetros de perfuração.

Ajustar o modo de operação



Furar GSR

Coloque o anel de ajuste da pré-seleção do torque **(4)** no símbolo "Furar".

GSB

Coloque o anel de ajuste da pré-seleção do modo de funcionamento **(5)** no símbolo "Furar".



Parafusar GSR

Coloque o anel de ajuste de pré-seleção do torque **(4)** no torque desejado.

GSB

Coloque o anel de ajuste da pré-seleção do modo de funcionamento **(5)** no símbolo "Parafusar".

Coloque o anel de ajuste de pré-seleção do torque **(4)** no torque desejado.



Furar com impacto (GSB)

Coloque o anel de ajuste da pré-seleção do modo de funcionamento **(5)** no símbolo "Furar com impacto".

Ajustar número de rotações/impactos

É possível regular o número de rotações/impactos da ferramenta elétrica ligada, dependendo do quanto o interruptor de ligar/desligar **(10)** é pressionado.

Uma leve pressão no interruptor de ligar/desligar **(10)** origina uma rotação/impacto baixo. Aumentando a pressão aumenta o número de rotações/impactos.

Ligar e desligar

Para **ligar** a ferramenta elétrica pressione e mantenha pressionado o interruptor de ligar/desligar **(10)**.

Para **desligar** a ferramenta elétrica, soltar o interruptor de ligar/desligar **(10)**.

Bloqueio do eixo totalmente automático (sistema Auto-Lock)

Com o interruptor de ligar/desligar **(10)** não pressionado, o eixo da broca e o mandril **(1)** são parados.

Isso permite apertar parafusos mesmo com a bateria **(9)** descarregada ou utilizar a ferramenta elétrica como chave de fenda.

Indicador do nível de carga da bateria

O indicador do nível de carga da bateria **(11)** indica com o interruptor de ligar/desligar **(10)** meio ou totalmente pressionado, durante alguns segundos, o nível de carga da bateria com 3 LEDs verdes.

Os 3 LEDs do indicador do nível de carga da bateria **(11)** e a lâmpada **(12)** piscam rápido, se temperatura da bateria estiver fora da gama de temperatura de serviço de -20 a +50 °C.

LED	Capacidade
Luz permanente 3 x verde	≥ 76 %
Luz permanente 2 x verde	51 – 75 %
Luz permanente 1 x verde	26 – 50 %
Luz intermitente lenta 1 x verde	≤ 25 %

Proteção contra sobrecarga em função da temperatura

Com uma utilização adequada a ferramenta elétrica não aquece. Com uma carga demasiado alta, o sistema eletrônico desliga a ferramenta elétrica, até esta voltar a estar numa gama de temperatura ideal de serviço.

Este estado é assinalado através da luz permanente dos três LEDs do indicador do nível de carga da bateria **(11)**. Os LEDs são desligados quando a ferramenta elétrica atingir novamente a temperatura ideal de serviço.

Indicações de trabalho

► Coloque somente a ferramenta elétrica desligada sobre a porca/parafuso. Ferramentas elétricas rodando podem deslizar.

Após trabalhos em longos períodos em baixas rotações, deixar a ferramenta elétrica rodar em vazio em rotação máxima, para arrefecer, durante aprox. 3 minutos.

Para furar metal utilize somente brocas HSS afiadas e em boas condições (HSS = High Speed Steel (Aço rápido)). O programa de acessórios **Bosch** garante a qualidade adequada.

Antes de apertar parafusos de grande dimensões em materiais duros, deve pré-perfurar com o diâmetro do núcleo da rosca em aprox. 2/3 do comprimento do parafuso.

Clipe de suporte para cinto (ver figura E)

Com o clipe de suporte para cinto **(16)** pode pendurar a ferramenta elétrica p. ex. no cinto. Assim fica com as duas mãos livres e a ferramenta elétrica está sempre à mão.

Porta-bits (ver figura F)

No porta-bits **(17)** pode inserir pontas de aparafusamento para armazenagem.

Clipe colorido (ver figura G)

O clipe colorido (18) só pode ser usado, se o clipe de suporte para cinto (16) ou porta-bits não estiverem montados.

Manutenção e serviço

Manutenção e limpeza

- ▶ **Retire a bateria da ferramenta elétrica antes de qualquer trabalho na ferramenta elétrica (p. ex. manutenção, troca de acessório, etc.), assim como para transporte e armazenamento da mesma.** Em caso de acionamento inadvertido do interruptor de ligar/desligar existe perigo de ferimentos.
- ▶ **Manter a ferramenta elétrica e as aberturas de ventilação sempre limpas, para trabalhar bem e de forma segura.**

Serviço pós-venda e assistência ao cliente

O serviço pós-venda responde às suas perguntas a respeito de serviços de reparação e de manutenção do seu produto, assim como das peças sobressalentes. Desenhos explodidos e informações sobre peças sobressalentes também em:

www.bosch-pt.com

A nossa equipe de consultores Bosch esclarece com prazer todas as suas dúvidas a respeito dos nossos produtos e acessórios.

Indique em todas as questões ou encomendas de peças sobressalentes impreterivelmente a referência de 10 dígitos de acordo com a placa de características do produto.

Brasil

Robert Bosch Ltda. – Divisão de Ferramentas Elétricas
Rodovia Anhanguera, Km 98 - Parque Via Norte
13065-900, CP 1195
Campinas, São Paulo
Tel.: 0800 7045 446
www.bosch.com.br/contato

Angola

Robert Bosch Ltd
Divisão de Ferramentas Elétricas
Estrada de Cacucuo 288
Luanda
Tel. : +244 927 584 446
<http://www.bosch-professional.com/ao/pt/>

Transporte

As baterias de lítio incluídas estão em conformidade com os requisitos da regulamentação do transporte de mercadorias perigosas. Os acumuladores podem ser transportados pelo utilizador, nas vias públicas, sem mais nenhuma obrigação. No caso de envio através de terceiros (p. ex.: transporte aéreo ou transitário) é necessário respeitar os requisitos especiais para a embalagem e identificação. Neste caso, para a preparação da embalagem é necessário consultar um perito no transporte de mercadorias perigosas.

Só enviar acumuladores se a carcaça não estiver danificada. Colar contatos abertos e embalar o acumulador de modo que não possa se movimentar dentro da embalagem. Por favor observe também eventuais diretrizes nacionais suplementares.

Descarte



Ferramentas elétricas, baterias, acessórios e embalagens devem ser enviados a uma reciclagem ecológica de matérias primas.



Não descarte as ferramentas elétricas e as baterias/pilhas no lixo doméstico!

Baterias/pilhas:

Lítio:

Por favor, observe as instruções na seção de transporte (ver "Transporte", Página 45).

中文

安全规章

电动工具通用安全警告

警告！

阅读随电动工具提供的所有安全警告、说明、图示和规定。

不遵照以下所列说明会导致电击、着火和/或严重伤害。

保存所有警告和说明书以备查阅。

警告中的术语“电动工具”是指市电驱动（有线）电动工具或电池驱动（无线）电动工具。

工作场地的安全

- ▶ **保持工作场地清洁和明亮。** 杂乱和黑暗的场地会引发事故。
- ▶ **不要在易爆环境，如有易燃液体、气体或粉尘的环境下操作电动工具。** 电动工具产生的火花会点燃粉尘或气体。
- ▶ **操作电动工具时，远离儿童和旁观者。** 注意力不集中会使你失去对工具的控制。

电气安全

- ▶ **电动工具插头必须与插座相配。绝不能以任何方式改装插头。** 需接地的电动工具不能使用任何转换插头。未经改装的插头和相配的插座将降低电击风险。
- ▶ **避免人体接触接地表面，如管道、散热片和冰箱。** 如果你身体接触接地表面会增加电击风险。
- ▶ **不得将电动工具暴露在雨中或潮湿环境中。** 水进入电动工具将增加电击风险。
- ▶ **不得滥用软线。** 绝不能用软线搬运、拉动电动工具或拔出其插头。使软线远离热源、油、锐边或运动部件。受损或缠绕的软线会增加电击风险。

- ▶ **当在户外使用电动工具时，使用适合户外使用的延长线。**适合户外使用的电线将降低电击风险。
- ▶ **如果无法避免在潮湿的环境中操作电动工具，应使用带有剩余电流装置（RCD）保护的电源。**RCD的使用可降低电击风险。

人身安全

- ▶ **保持警觉，当操作电动工具时关注所从事的操作并保持清醒。**当你感到疲倦，或在有药物、酒精或治疗反应时，不要操作电动工具。在操作电动工具时瞬间的疏忽会导致严重人身伤害。
- ▶ **使用个人防护装置。始终佩戴护目镜。**防护装置，诸如适当条件下使用防尘面具、防滑安全鞋、安全帽、听力防护等装置能减少人身伤害。
- ▶ **防止意外起动。**在连接电源和/或电池包、拿起或搬运工具前确保开关处于关断位置。手指放在开关上搬运工具或开关处于接通时通电会导致危险。
- ▶ **在电动工具接通之前，拿掉所有调节钥匙或扳手。**遗留在电动工具旋转零件上的扳手或钥匙会导致人身伤害。
- ▶ **手不要过分伸展。时刻注意立足点和身体平衡。**这样能在意外情况下能更好地控制住电动工具。
- ▶ **着装适当。不要穿宽松衣服或佩戴饰品。**让你的头发和衣服远离运动部件。宽松衣服、佩戴或长发可能会卷入运动部件。
- ▶ **如果提供了与排屑、集尘设备连接用的装置，要确保其连接完好且使用得当。**使用集尘装置可降低尘屑引起的危险。
- ▶ **不要因为频繁使用工具而产生的熟悉感而掉以轻心，忽视工具的安全准则。**某个粗心的动作可能在瞬间导致严重的伤害。

电动工具使用和注意事项

- ▶ **不要勉强使用电动工具，根据用途使用合适的电动工具。**选用合适的按照额定值设计的电动工具会使你工作更有效、更安全。
- ▶ **如果开关不能接通或关断电源，则不能使用该电动工具。**不能通过开关来控制的电动工具是危险的且必须进行修理。
- ▶ **在进行任何调节、更换附件或贮存电动工具之前，必须从电源上拔掉插头和/或卸下电池包（如可拆卸）。**这种防护性的安全措施降低了电动工具意外起动的风险。
- ▶ **将闲置不用的电动工具贮存在儿童所及范围之外，并且不允许不熟悉电动工具和不了解这些说明的人操作电动工具。**电动工具在未经培训的使用者手中是危险的。
- ▶ **维护电动工具及其附件。**检查运动部件是否调整到位或卡住，检查零件破损情况和影响电动工具运行的其他状况。如有损坏，应在使用前修理好电动工具。许多事故是由维护不良的电动工具引发的。
- ▶ **保持切削刀具锋利和清洁。**维护良好地有锋利切削刃的刀具不易卡住而且容易控制。
- ▶ **按照使用说明书，并考虑作业条件和要进行的作业来选择电动工具、附件和工具的刀头等。**将电

动工具用于那些与其用途不符的操作可能会导致危险情况。

- ▶ **保持手柄和握持表面干燥、清洁，不得沾有油脂。**在意外的情况下，湿滑的手柄不能保证握持的安全和对工具的控制。

电池式工具使用和注意事项

- ▶ **只用制造商规定的充电器充电。**将适用于某种电池盒的充电器用到其他电池盒时会发生着火危险。
- ▶ **只有在配有专用电池盒的情况下才使用电动工具。**使用其他电池盒会发生损坏和着火危险。
- ▶ **当电池盒不用时，将它远离其他金属物体，例如回形针、硬币、钥匙、钉子、螺钉或其他小金属物体，以防一端与另一端连接。**电池端部短路会引起燃烧或火灾。
- ▶ **在滥用条件下，液体会从电池中溅出；避免接触。**如果意外碰到了，用水冲洗。如果液体碰到了眼睛，还要寻求医疗帮助。从电池中溅出的液体会发生腐蚀或燃烧。
- ▶ **不要使用损坏的或更改过的电池组或工具。**损坏或更改过的电池可能导致不可预料的情况发生，有着火、爆炸或受伤的风险。
- ▶ **不要将电池组或工具暴露于火焰或高温情况下。**火焰或超过130°C的温度可能会引起爆炸。
- ▶ **遵守所有充电说明，给电池组或工具充电时不要超出说明中规定的温度范围。**错误充电或温度超出规定的范围可能会损坏电池并提高着火的风险。

维修

- ▶ **由专业维修人员使用相同的备件维修电动工具。**这将保证所维修的电动工具的安全。
- ▶ **不要对损坏的电池组进行保养。**只能由制造商或授权的服务商进行电池组的维护保养。

针对钻机和起子机的安全规章

适用于全部操作的安全说明

- ▶ **带耳罩进行冲击作业。**暴露于噪声环境会导致失聪。
- ▶ **如果在操作期间，切割工具或者紧固件可能接触暗线，要握住电动工具的绝缘握持面。**切割工具一旦接触“带电”导线，可能会使电动工具外露的金属部件“带电”，并使操作员触电。

当使用长钻头时的安全说明

- ▶ **操作时切勿超出钻头的最大额定转速。**在较高转速下，如果让钻头在不接触工件的情况下随意旋转，很可能导致其弯折，从而引发人身伤害。
- ▶ **务必以低转速开始钻孔，并让钻头尖端与工件接触。**在较高转速下，如果让钻头在不接触工件的情况下随意旋转，很可能导致其弯折，从而引发人身伤害。
- ▶ **施压时务必与钻头成一直线，且不得施加过大压力。**若钻头弯折会导致其损坏或失控，从而引发人身伤害。

其它安全规章

- ▶ **请紧握电动工具。** 拧紧和拧松螺丝时可能短时出现高反应扭矩。
- ▶ **固定好工件。** 使用固定装置或老虎钳固定工件，会比用手持握工件更牢固。
- ▶ **使用合适的侦测装置侦察隐藏的电线，或者向当地的相关单位寻求支援。** 接触电线可能引起火灾并让操作者触电。损坏了瓦斯管会引起爆炸。如果水管被刺穿了会导致财物损失。
- ▶ **等待电动工具完全静止后才能够放下机器。** 机器上的工具可能在工作中被夹住，而令您无法控制电动工具。
- ▶ **如果充电电池损坏或者未按照规定使用，充电电池中会散发出有毒蒸汽。充电电池可能会燃烧或爆炸。** 工作场所必须保持空气流通，如果身体有任何不适必须马上就医。蒸汽会刺激呼吸道。
- ▶ **切勿打开充电电池。** 可能造成短路。
- ▶ **钉子、螺丝刀等尖锐物品或外力作用可能会损坏充电电池。** 有可能出现内部短路、蓄电池燃烧、发出烟雾、爆炸或过热。
- ▶ **只能将此充电电池用在制造商的产品中。** 这样才能确保充电电池不会过热。



保护充电电池免受高温（例如长期阳光照射）、火焰、脏污、水和湿气的侵害。 有爆炸和短路的危险。



- ▶ **当工具刀头被夹住时，请立即关闭电动工具。以防反作用力矩导致反弹。** 当电动工具过载或向待加工工件倾斜时，工具刀头就会卡住。

产品和性能说明



请阅读所有安全规章和指示。 不遵照以下警告和说明可能导致电击、着火和/或严重伤害。

技术参数

充电式冲击钻起子机		GSB 12V-35	GSR 12V-35	GSR 12V-35 HX
物品代码		3 601 JJ9 0..	3 601 JH8 0..	3 601 JJ9 1..
额定电压	V=	12	12	12
空转转速 ^{A)}				
- 第1档	转/分钟	0-460	0-460	0-460
- 第2档	转/分钟	0-1750	0-1750	0-1750
冲击次数 ^{A)}	次/分钟	26250	-	-
根据ISO 5393，硬/软拧转的最大扭矩 ^{A)}	牛米	35/20	35/20	35/20
最大钻孔直径（第1/第2档）				
- 砖墙	毫米	10	-	-
- 钢	毫米	10	10	10

请注意本使用说明书开头部分的图示。

按照规定使用

本电动工具用于拧紧和松开螺丝以及在木材、金属、陶瓷和塑料上钻孔。GSB还可以用于在砖块、砖墙和岩石上锤钻。

插图上的机件

机件的编号和电动工具详解图上的编号一致。

- (1) 工具夹头
- (2) 快速夹头
- (3) 锁定套筒 (GSR 12V-35 HX)
- (4) 扭矩预选调节环
- (5) 运行模式预选调节环 (GSB)
- (6) 选档开关
- (7) 正逆转开关
- (8) 充电电池解锁按钮^{A)}
- (9) 充电电池^{A)}
- (10) 电源开关 起停开关
- (11) 充电电池电量指示灯
- (12) “PowerLight”灯
- (13) 手柄（绝缘握柄）
- (14) 螺丝批嘴^{A)}
- (15) 通用批头套筒^{A)}
- (16) 腰带夹^{A)}
- (17) 批头套筒^{A)}
- (18) 彩色卡子^{A)}

A) 图表或说明上提到的附件，并不包含在基本的供货范围中。本公司的附件清单中有完整的附件供应项目。

充电式冲击钻起子机		GSB 12V-35	GSR 12V-35	GSR 12V-35 HX
- 木材	毫米	32	32	32
夹头的夹紧范围	毫米	0.8-10	0.8-10	-
工具夹头	毫米	-	-	6.35 ¼英寸
最大螺栓直径	毫米	8	8	8
重量符合 EPTA- Procedure 01:2014 ^{A)}	公斤	1.0-1.2	0.93-1.2	0.75-1.0
充电时建议的环境温度	摄氏度	0 ... +35	0 ... +35	0 ... +35
工作时允许的环境温度 ^{B)} 时 和存放时功率受限	摄氏度	-20 ... +50	-20 ... +50	-20 ... +50
建议使用的充电电池		GBA 12V...	GBA 12V...	GBA 12V...
推荐的充电器		GAL 12... GAX 18...	GAL 12... GAX 18...	GAL 12... GAX 18...

A) 视所使用的充电电池而定

B) 温度 < 0 摄氏度时功率受限

安装

- ▶ 在电动工具上进行任何维护的工作（例如维修，更换工具等等），以及搬运、保存电动工具之前都必须从机器中取出蓄电池。无意间操作开关可能会造成伤害。

为充电电池充电

- ▶ 请只使用在技术参数中列出的充电器。只有这些充电器才适用于本电动工具上的锂离子电池。

提示：充电电池在交货时只完成部分充电。首次使用电动工具之前，必须先充足充电电池的电量以确保充电电池的功率。

可以随时为锂离子电池充电，不会缩短电池的使用寿命。如果充电过程突然中断，也不会损坏电池。本锂离子电池配备了电池电子保护装置 "Electronic Cell Protection (ECP)"，可以防止电池过度放电。电池的电量如果用尽了，保护开关会自动关闭电动工具：安装在机器上的工具刀头会停止转动。

- ▶ 电动工具被关闭之后，切勿继续按住起停开关。否则可能会损坏电池。

请注意有关作废处理的规定。

取出充电电池（参见插图 A）

如需取下充电电池(9)，请同时按压两个解锁按钮(8)，然后将电池向下从电动工具拔出。在此过程中请勿过度用力。

更换刀具

- ▶ 在电动工具上进行任何维护的工作（例如维修，更换工具等等），以及搬运、保存电动工具之前都必须从机器中取出蓄电池。无意间操作开关可能会造成伤害。

安装工具刀头：GSR 12V-35 HX（参见插图 C）

将锁定套筒(3)向后拉，将工具刀头放入工具夹头(1)，直至极限位置，然后重新松开锁定套筒(3)，以便锁住工具刀头。

请注意，止动件已根据相应国家最常见的工具刀头尺寸进行了优化。

安装工具刀头：GSB 12V-35/GSR 12V-35（参见插图 B）

沿着方向①转动，打开快速夹头(2)，直至可以插入刀具。安装好刀具。

沿着旋转方向②用手使动转动快速夹头(2)的衬套。由此钻夹头会被自动锁止。

反向转动前套筒来移除刀具时，锁止件再次自动松开。

取出工具刀头：GSR 12V-35 HX

向后拉动锁定套筒(3)，从固定座(1)中拔出工具刀头。

抽吸粉尘/切屑

含铅的颜料以及某些木材、矿物和金属的加工废尘有害健康。机器操作者或者工地附近的人如果接触、吸入这些废尘，可能会有过敏反应或者感染呼吸吸道疾病。

某些尘埃（例如加工橡木或山毛榉的废尘）可能致癌，特别是和处理木材的添加剂（例如木材的防腐剂等）结合之后。只有经过专业训练的人才能够加工含石棉的物料。

- 工作场所要保持空气流通。
- 最好佩戴P2滤网等级的口罩。

请留心并遵守贵国和加工物料有关的法规。

- ▶ 避免让工作场所堆积过多的尘垢。尘垢容易被点燃。

运行

投入使用

安装充电电池

提示：如果使用的充电电池与电动工具不匹配，则可能会导致功能失灵或电动工具损坏。

将正逆转开关(7)调至中间，以防意外接通。将已充好电的电池(9)装入手柄，直至感觉到其卡入且与手柄齐平。

调整旋转方向 (见图片D)

通过正逆转开关(7)可以更改电动工具的旋转方向。按下起停开关(10)后无法更改。

正转：钻孔和旋入螺栓时，向左按压正逆转开关(7)直至极限位置。

逆转：要松开或拧出螺丝时，将正逆转开关(7)向右推到底。

预选扭矩

用扭矩预选调节环(4)可在20个档位中预选所需的扭矩。如果扭矩设定正确，只要螺丝头已经平贴在工件表面，或者到达了预定的扭矩，安装在机器上的刀具便会停止转动。已在位置▲▲上停用过锁紧连接，比如钻孔时。

拧出螺栓时可以选择更高的设置或调至图标▲▲。

机械式选档

▶ 只能在电动工具静止时操纵选档开关(6)。

利用选档开关(6)可以预选2个转速范围。

档位I:

低转速范围；适用于钻孔直径较大时或拧螺丝时。

档位II:

高转速范围；适用钻孔直径较小时。

设置运行模式



钻孔

GSR

将扭矩预选调节环(4)调到“钻孔”图标上。

GSB

将运行模式预选调节环(5)调到“钻孔”图标上。



拧螺丝

GSR

将扭矩预选调节环(4)调到需要的扭矩上。

GSB

将运行模式预选调节环(5)调到“拧螺丝”图标上。

将扭矩预选调节环(4)调到需要的扭矩上。



锤钻 (GSB)

将运行模式预选调节环(5)调到“锤钻”图标上。

调整转速 / 冲击次数

可以无级调节已接通电动工具的转速 / 冲击次数，视按压起停开关(10)的力道程度决定。

以较小的力按压起停开关(10)时，转速 / 冲击次数较低。增强施加在起停开关上的压力，可以提高机器的转速 / 冲击次数。

开动/关闭

将电动工具投入使用时按压起停开关(10)并按住。

关闭电动工具时，请松开起停开关(10)。

全自动主轴锁定功能 (Auto-Lock)

电源开关(10)未按下时可锁定钻轴，从而锁住工具夹头(1)。

因此，即使充电电池(9)没电了，也可以使用本电动工具拧入螺丝，换句话说，也可以使用本机器充当螺丝起子机。

充电电池电量指示灯

将起停开关(10)按下一半或按到底几秒时，充电电池的充电电量指示灯(11)显示充电电池的充电电量，显示由三个绿色的LED灯组成。

当充电电池的温度超出-20到+50 °C的工作温度范围时，充电电池的充电电量显示(11)的三个LED灯和灯(12)会快速闪烁。

LED	电量
3个绿灯持续亮着	≥ 76 %
2个绿灯持续亮着	51-75 %
1个绿灯持续亮着	26-50 %
1个绿灯缓慢闪烁	≤ 25 %

温的过载保护装置

按照规定使用时不会造成电动工具过载。当负载过高时，电子系统将关闭电动工具，直到其恢复到最佳工作温度范围。

通过充电电池的充电电量显示(11)的三个LED灯顺序发光来显示该状态。当电动工具再次达到最佳工作温度时，LED灯将关闭。

工作提示

▶ 先关闭电动工具，然后再放置在螺母/螺栓上。旋转的工具刀头可能会滑开。

使用低转速长时间操作之后，应该让电动工具以最大转速空转约3分钟来帮助机器冷却。

在金属上钻孔时，仅可使用锋利的HSS钻头 (HSS=高速钢)。在Bosch博世的附件产品系列中，有符合这个品质等级的产品。

把大的、长的螺丝拧入坚硬的物料中之前，必须根据螺纹的中心直径预钻孔，预钻孔的深度大概为螺丝长度的2/3。

腰带夹 (参见插图E)

使用腰带夹(16)可以把电动工具挂在例如腰带上。不但能够空出双手，而且可随时够到电动工具。

批头套筒 (参见插图F)

您可以将螺丝批嘴插入批头套筒(17)中以便保存。

彩色卡子 (参见插图G)

当腰带夹(16)或钻头夹持器没有被安装时，才可以使用彩色卡子(18)。

維修和服務

維護和清潔

- ▶ 在電動工具上進行任何維護的工作（例如維修、更換工具等等），以及搬運、保存電動工具之前都必須從機器中取出蓄電池。無意間操作開關可能會造成傷害。
- ▶ 電動工具和通氣孔必須隨時保持清潔，以確保工作效率和工作安全。

客戶服務和應用諮詢

本公司顧客服務處負責回答有關本公司產品的修理、維護和備件的問題。備件的展開圖紙和信息也可查看：www.bosch-pt.com
博世應用諮詢團隊樂於就我們的產品及其附件問題提供幫助。

詢問和訂購備件時，務必提供機器銘牌上標示的10位數物品代碼。

香港和澳門特別行政區

羅伯特博世有限公司
香港北角英皇道625號，21樓
客戶服務熱線：+852 2101 0235
傳真：+852 2590 9762
電子郵件：info@hk.bosch.com
www.bosch-pt.com.hk

中國大陸

博世電動工具（中國）有限公司
中國 浙江省 杭州市
濱江區 濱康路567號
102/1F 服務中心
郵政編碼：310052
電話：(0571)8887 5566 / 5588
傳真：(0571)8887 6688 x 5566# / 5588#
電郵：bsc.hz@cn.bosch.com
www.bosch-pt.com.cn

製造商地址：

Robert Bosch Power Tools GmbH
羅伯特·博世電動工具有限公司
70538 Stuttgart / GERMANY
70538 斯圖加特 / 德國

搬運

隨著機器一起供貨的鋰離子充電電池必須符合危險物品法規。使用者無須另外使用保護包裝便可以運送該充電電池。

但是如果將它交由第三者運送（例如：寄空運或委託運輸公司）則要使用特殊的包裝和標示。此時必須向危險物品專家請教有關寄送危險物品的相关事宜。

確定充電電池的外殼未受損後，才可以寄送充電電池。粘好未加蓋的觸點並包裝好充電電池，不可以讓充電電池在包裝中晃動。必要時也得注意各國有關的法規。

處理廢棄物



必須以符合環保的方式，回收再利用損壞的電動工具、充電電池、附件和廢棄的包裝材料。



不可以把電動工具和充電電池/蓄電池丟入一般的家庭垃圾中！

充電電池/電池：

鋰離子：

請注意“搬運”段落中的指示（參見“搬運”，頁 50）確認設置。

繁體中文

安全注意事項

電動工具一般安全注意事項

警告

請詳讀工作臺及電動工具的所有安全警告與使用說明。若不遵照以下列出的指示，將可能導致電擊、著火和/或人員重傷。

保存所有警告和說明書以備查閱。

在所有警告中，「電動工具」此一名詞泛指：以市電驅動的（有線）電動工具或是以電池驅動的（無線）電動工具。

工作場地的安全

- ▶ 保持工作場地清潔和明亮。混亂和黑暗的場地會引發事故。
- ▶ 不要在易爆環境，如有易燃液體、氣體或粉塵的環境下操作電動工具。電動工具產生的火花會點燃粉塵或氣體。
- ▶ 讓兒童和旁觀者離開後操作電動工具。注意力不集中會使您失去對工具的控制。

電氣安全

- ▶ 電動工具插頭必須與插座相配。絕不能以任何方式改裝插頭。需接地的電動工具不能使用任何轉換插頭。未經改裝的插頭和相配的插座將減少電擊危險。
- ▶ 避免人體接觸接地表面，如管道、散熱片和冰箱。如果您身體接地會增加電擊危險。
- ▶ 不得將電動工具暴露在雨中或潮濕環境中。水進入電動工具將增加電擊危險。
- ▶ 不得濫用電線。絕不能用電線搬運、拉動電動工具或拔出其插頭。使電線遠離熱源、油、銳利邊緣或移動零件。受損或纏繞的軟線會增加電擊危險。
- ▶ 當在戶外使用電動工具時，使用適合戶外使用的延長線。適合戶外使用的軟線，將減少電擊危險。

- ▶ 如果在潮濕環境下操作電動工具是不可避免的，應使用剩餘電流動作保護器（RCD）。使用RCD可降低電擊危險。

人身安全

- ▶ 保持警覺，當操作電動工具時關注所從事的操作並保持清醒。當您感到疲倦，或在有藥物、酒精或治療反應時，不要操作電動工具。在操作電動工具時瞬間的疏忽會導致嚴重人身傷害。
- ▶ 使用個人防護裝置。始終佩戴護目鏡。安全裝置，諸如適當條件下使用防塵面具、防滑安全鞋、安全帽、聽力防護等裝置能減少人身傷害。
- ▶ 防止意外起動。確保開關在連接電源和/或電池盒、拿起或搬運工具時處於關閉位置。手指放在已接通電源的開關上或開關處於接通時插入插頭可能會導致危險。
- ▶ 在電動工具接通之前，拿掉所有調節鑰匙或扳手。遺留在電動工具旋轉零件上的扳手或鑰匙會導致人身傷害。
- ▶ 手不要伸展得太長。時刻注意立足點和身體平衡。這樣在意外情況下能很好地控制電動工具。
- ▶ 著裝適當。不要穿寬鬆衣服或佩戴飾品。讓您的衣物及頭髮遠離運動部件。寬鬆衣服、佩飾或長髮可能會捲入運動部件中。
- ▶ 如果提供了與排屑、集塵設備連接用的裝置，要確保他們連接完好且使用得當。使用這些裝置可減少塵屑引起的危險。
- ▶ 切勿因經常使用工具所累積的熟練感而過度自信，輕忽工具的安全守則。任何一個魯莽的舉動都可能瞬間造成人員重傷。

電動工具使用和注意事項

- ▶ 不要濫用電動工具，根據用途使用適當的電動工具。選用適當設計的電動工具會使您工作更有效、更安全。
- ▶ 如果開關不能開啟或關閉工具電源，則不能使用該電動工具。不能用開關來控制的電動工具是危險的且必須進行修理。
- ▶ 在進行任何調整、更換配件或貯存電動工具之前，必須從電源上拔掉插頭並/或取出電池盒。這種防護性措施將減少工具意外起動的危險。
- ▶ 將閒置不用的電動工具貯存在兒童所及範圍之外，並且不要讓不熟悉電動工具或對這些說明不瞭解的人操作電動工具。電動工具在未經培訓的用戶手中是危險的。
- ▶ 保養電動工具與配備。檢查運動件是否調整到位或卡住，檢查零件破損情況和影響電動工具運行的其他狀況。如有損壞，電動工具應在使用前修理好。許多事故由維護不良的電動工具引發。
- ▶ 保持切削刀具鋒利和清潔。保養良好的有鋒利切削刀的刀具不易卡住而且容易控制。
- ▶ 按照使用說明書，考慮作業條件和進行的作業來使用電動工具、配件和工具的头頭等。將電動工具用於那些與其用途不符的操作可能會導致危險。
- ▶ 把手及握持區應保持乾燥、潔淨，且不得沾染任何油液或油脂。易滑脫的把手及握持區將無法讓您在發生意外狀況時安全地抓緊並控制工具。

電池式工具使用和注意事項

- ▶ 只用製造商規定的充電器充電。將適用於某種電池盒的充電器用到其他電池盒時會發生著火危險。
- ▶ 只有在配有專用電池盒的情況下才使用電動工具。使用其他電池盒會發生損壞和著火危險。
- ▶ 當電池盒不用時，將它遠離其他金屬物體，例如回形針、硬幣、鑰匙、釘子、螺絲或其他小金屬物體，以防一端與另一端連接。電池端部短路會引起燃燒或火災。
- ▶ 在濫用條件下，液體會從電池中濺出；避免接觸。如果意外碰到了，用水沖洗。如果液體碰到了眼睛，還要尋求醫療幫助。從電池中濺出的液體會發生腐蝕或燃燒。
- ▶ 請勿使用已受損或經改裝的電池盒。已受損或經改裝的電池組可能出現無法預期的反應，進而導致著火、爆炸或造成人員受傷。
- ▶ 勿讓電池盒或工具靠近火源或暴露於異常溫度環境中。若是靠近火源或暴露在超過130 °C的環境中可能造成爆炸。
- ▶ 請完全遵照所有的充電說明，電池盒或工具的溫度若是超出指示的規定範圍，請勿進行充電。不當充電或是未在規定的溫度範圍內進行充電，皆可能造成電池損壞並面臨更高的著火風險。

檢修

- ▶ 將您的電動工具送交專業維修人員，必須使用同樣的備件進行更換。這樣將確保所維修的電動工具的安全性。
- ▶ 請勿自行檢修受損的電池盒。電池組應交由製造商或是獲得授權的服務供應商來進行檢修。

電鑽和起子機的安全注意事項

所有作業的安全說明

- ▶ 鑽孔時請戴上耳罩。暴露在噪音下會造成聽力喪失。
- ▶ 進行作業時，負責進行切割的配件或固定釘可能會碰觸到隱藏的電線，請從絕緣握把處拿持電動工具。負責進行切割的配件或固定釘若是觸及「導電」電線，可能導致電動工具外露的金屬部件「導電」，進而使操作人員遭受電擊。

使用長鑽頭的安全說明

- ▶ 切勿以超過鑽頭額定最高轉速的速度操作。若鑽頭未接觸工件且以超過最高轉速的速度無負載轉動，可能會讓鑽頭彎曲並導致人員受傷。
- ▶ 請務必以低速啟動並將鑽尖確實抵住工件。若鑽頭未接觸工件且以超過最高轉速的速度無負載轉動，可能會讓鑽頭彎曲並導致人員受傷。
- ▶ 請沿著鑽頭方向施加適當的壓力，切勿過度施壓。鑽頭可能會彎曲並造成斷裂、失控並導致人員受傷。

其他安全注意事項

- ▶ 請牢牢握緊電動工具。旋緊與鬆開螺栓時，瞬間可能會有較大的反作用力。
- ▶ 固定好工件。使用固定裝置或老虎鉗固定工件，會比用手持握工件更牢固。

- ▶ 使用合適的偵測裝置偵察隱藏的電線，或者向當地的相關單位尋求支援。接觸電線可能引起火災並讓操作者觸電。若損壞瓦斯管會引起爆炸。如果水管被刺穿會導致財物損失。
- ▶ 必須等待電動工具完全靜止後才能將它放下。嵌件工具可能卡住而使電動工具失控。
- ▶ 如果充電電池損壞了，或者未按照規定使用充電電池，充電電池中會散發出有毒蒸氣。充電電池可能起火或爆炸。工作場所必須保持空氣流通，如果身體有任何不適必須馬上就醫。充電電池散發的蒸氣會刺激呼吸道。
- ▶ 切勿拆開充電電池。可能造成短路。
- ▶ 尖銳物品（例如釘子或螺絲起子）或是外力皆有可能造成充電電池損壞。進而導致內部短路而發生電池起火、冒煙、爆炸或過熱等事故。
- ▶ 僅可使用產品的原廠充電電池。如此才可依照產品提供過載保護。



保護充電電池免受高溫（例如長期日照）、火焰、污垢、水液和濕氣的侵害。有爆炸及短路之虞。



- ▶ 如果嵌件工具被夾住了，請立刻關閉電動工具的電源。請準備好承受反作用力所造成的反彈。電動工具過載時或當它在進行加工的工件內部歪斜時，都會造成嵌件工具被夾住不動。

產品和功率描述



請詳讀所有安全注意事項和指示。如未遵守安全注意事項與指示，可能導致火災、人員遭受電擊及/或重傷。
請留意操作說明書中最前面的圖示。

技術性數據

充電式電鑽起子機		GSB 12V-35	GSB 12V-35	GSB 12V-35 HX
產品機號		3 601 JJ9 0..	3 601 JH8 0..	3 601 JJ9 1..
額定電壓	V=	12	12	12
無負載轉速 ^{A)}				
- 1 檔	次 / 分	0-460	0-460	0-460
- 2 檔	次 / 分	0-1750	0-1750	0-1750
衝擊次數 ^{A)}	次 / 分	26250	-	-
根據 ISO 5393，硬/軟材料鎖螺絲的最大扭力 ^{A)}	Nm	35/20	35/20	35/20
最大鑽孔直徑（1 檔/2 檔）				
- 砌牆	mm	10	-	-
- 鋼材	mm	10	10	10
- 木材	mm	32	32	32
夾頭的夾緊範圍	mm	0.8-10	0.8-10	-
工具夾座	mm	-	-	6.35 ¼"
最大螺絲直徑	mm	8	8	8

依規定使用機器

此電動工具可用來轉入或放鬆螺絲，並且可在木材、金屬、混凝土及塑膠等材質上進行鑽孔。此外，GSB 還可在磚塊、砌牆和石材上進行衝擊鑽孔。

插圖上的機件

機件的編號和電動工具詳解圖上的編號一致。

- (1) 工具夾座
- (2) 快速夾頭
- (3) 鎖定套筒（GSB 12V-35 HX）
- (4) 預設扭力調整環
- (5) 操作模式設定調整環（GSB）
- (6) 選檔開關
- (7) 正逆轉開關
- (8) 充電電池解鎖按鈕^{A)}
- (9) 充電電池^{A)}
- (10) 起停開關
- (11) 充電電池的電量指示器
- (12) 「PowerLight」照明燈
- (13) 把手（絕緣握柄）
- (14) 螺絲起子工具頭^{A)}
- (15) 通用工具頭夾持器^{A)}
- (16) 腰帶夾^{A)}
- (17) 工具頭夾持器^{A)}
- (18) 彩色夾^{A)}

A) 圖表或說明上提到的配件，並不包含在基本的供貨範圍中。本公司的配件清單中有完整的配件供應項目。

充電式電鑽起子機		GSB 12V-35	GSR 12V-35	GSR 12V-35 HX
重量符合 EPTA- Procedure 01:2014 ^{A)}	kg	1.0-1.2	0.93-1.2	0.75-1.0
充電狀態下的建議環境溫度	°C	0 ... +35	0 ... +35	0 ... +35
操作狀態下的容許環境溫度 ^{B)} 以及存放狀態下	°C	-20 ... +50	-20 ... +50	-20 ... +50
建議使用的充電電池		GBA 12V...	GBA 12V...	GBA 12V...
建議使用的充電器		GAL 12... GAX 18...	GAL 12... GAX 18...	GAL 12... GAX 18...

A) 視所使用的充電蓄電池而定

B) 溫度 <0 °C 時，性能受限

安裝

- ▶ 在電動工具上進行任何維護的工作（例如維修，更換工具等）以及搬運和儲存電動工具之前，都必須電動工具中取出充電電池。若是不小心觸動起停開關，可能造成人員受傷。

為充電電池進行充電

- ▶ 只能選用技術性數據裡所列出的充電器。僅有這些充電器適用於電動工具所使用的鋰離子充電電池。

提示：出貨時充電電池已部分充電。首度使用電動工具之前，請先用充電器將充電電池充飽電以確保充電電池蓄滿電力。

鋰離子充電電池可隨時充電，不會縮短電池的使用壽命。如果突然中斷充電，電池也不會損壞。

鋰離子充電電池配備了電池保護裝置「Electronic Cell Protection (ECP)」，可以防止充電電池過度放電。充電電池的電量如果用盡了，保護開關會自動關閉電動工具；嵌件工具會停止轉動。

- ▶ 電動工具自動關機後，請勿再按壓電源開關。否則充電電池可能會損壞。

請您遵照廢棄物處理相關指示。

取出充電電池（請參考圖 A）

若要取出充電電池 (9)，請按壓兩個解鎖按鈕 (8)，然後將充電電池往下拔出電動工具。不可以強行拉出充電電池。

更換工具

- ▶ 在電動工具上進行任何維護的工作（例如維修，更換工具等）以及搬運和儲存電動工具之前，都必須電動工具中取出充電電池。若是不小心觸動起停開關，可能造成人員受傷。

安裝嵌件工具：GSR 12V-35 HX（請參考圖 C）

將鎖定套筒 (3) 往後拉，將嵌件工具往工具夾頭 (1) 推入到底，然後放開鎖定套筒 (3) 即可固定住嵌件工具。

請注意：該鎖扣已針對各國就嵌件工具最大限度的延伸尺寸進行了最佳化調整。

安裝嵌件工具：GSB 12V-35 / GSR 12V-35（請參考圖 B）

往旋轉方向 ❶ 轉動，將快速夾頭 (2) 打開至能夠裝入工具為止。裝入工具。

往旋轉方向 ❷ 徒手用力轉緊快速夾頭 (2) 的套筒。這樣做夾頭才會自動上鎖。

取下工具時，當您反方旋轉套筒，此鎖止裝置便會自動解鎖。

取出嵌件工具：GSR 12V-35 HX

將鎖定套筒 (3) 往後拉，接著便可將嵌件工具從固定座 (1) 中拔出。

吸除廢塵 / 料屑

含鉛的顏料及部分木材、礦物和金屬的加工廢塵有害健康。機器操作者或者工地附近的人如果接觸、吸入這些廢塵，可能會有過敏反應或者感染呼吸道疾病。

特定粉塵（例如加工橡木或山毛櫸的廢塵）可能致癌，特別是與處理木材的添加劑（例如木材的防腐劑等）混合之後。只有經過專業訓練的人才允許加工含石棉的物料。

- 工作場所要保持空氣流通。

- 建議佩戴 P2 濾網等級的口罩。

請留意並遵守貴國與加工物料有關的法規。

- ▶ 避免讓工作場所堆積過多的塵垢。塵埃容易被點燃。

操作

操作機器

安裝充電電池

提示：若是使用非本電動工具適用的充電電池，可能導致電動工具功能異常或損壞。

將正逆轉開關 (7) 調至中間位置，以防止電動工具意外啟動。將已充飽電的充電電池 (9) 放入把手內，直到感覺到它卡上並與把手貼齊。

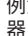
調整旋轉方向（請參考圖 D）

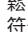
透過正逆轉開關 (7) 即可變更電動工具的旋轉方向。但按下起停開關 (10) 時，將無法這樣做。

正轉：若要旋入螺栓及旋緊螺母，請將正逆轉開關 (7) 往左推到底。

逆轉：若要鬆開或旋出螺栓，請將正逆轉開關 (7) 往右推到底。

預設扭力

預設扭力調整環 (4) 總共提供 20 段不同的扭力選擇，您可利用它來預設所需扭力。如果設定了合適的扭力，當螺栓在物料中一旋入至表面齊平後，或者說到達到所設扭力之後，嵌件工具便會停止轉動。例如在鑽孔時設在  位置，即可停用過載離合器。

鬆開螺栓時，可選用較高設定值，或者請您設在  符號上。

機械式選檔

► **電動工具靜止時，才能操作選檔開關 (6)。**

選檔開關 (6) 提供 2 種轉速範圍，供您選用。

檔位 I：

低轉速範圍；適合拆裝螺栓，或鑽大孔。

檔位 II：

高轉速範圍；適用於鑽小孔時。

設定操作模式



鑽孔

GSR

將預設扭力調整環 (4) 移至「鑽孔」符號。

GSB

將操作模式設定調整環 (5) 移至「鑽孔」符號。



拆裝螺栓

GSR

將預設扭力調整環 (4) 設為所需扭力。

GSB

將操作模式設定調整環 (5) 移至「螺栓」符號。

將預設扭力調整環 (4) 設為所需扭力。



衝擊鑽孔 (GSB)

將操作模式設定調整環 (5) 移至「螺栓」符號。

調整轉速／衝擊次數

您可為已啟動的電動工具無段調控轉速／衝擊次數，轉速是由按壓起停開關 (10) 的深度決定。

輕按起停開關 (10) 時，轉速／衝擊次數較低。逐漸在開關上加壓，轉速／衝擊次數也會跟著提高。

啟動／關閉

按下電源開關 (10) 不要放開，即可讓電動工具持續運轉。

放開起停開關 (10)，即可讓電動工具停止運轉。

全自動的主軸鎖定功能 (Auto-Lock)

未按下起停開關 (10) 時，工具機轉軸將固定不動，工具夾頭 (1) 也會鎖死。

因此，即使充電電池 (9) 沒電了，也可以使用本電動工具旋入螺栓，換句話說，也可以將本機器當做一般螺絲起子使用。

充電電池的電量指示器

起停開關 (10) 按下至一半深度或按到底時，由 3 顆綠色 LED 燈組成的充電電池的充電電量顯示器 (11) 將顯示充電電池的電量，時間維持數秒之久。充電電池的溫度若已超出操作溫度範圍 -20 至 +50 °C，充電電池之電量指示器 (11) 的三顆 LED 以及照明燈 (12) 會同時快速閃爍。

LED	容量
3 顆綠燈持續亮起	≥ 76 %
2 顆綠燈持續亮起	51-75 %
1 顆綠燈持續亮起	26-50 %
1 個綠燈緩慢閃爍	≤ 25 %

溫控的過載保護裝置

只要按照規定使用，電動工具就不可能過載。萬一負載過重，電子裝置便會將電動工具關機，直到它重新回到理想操作溫度的範圍內。

充電電池之電量指示器 (11) 的三顆 LED 燈若如同跑馬燈一般輪流點亮，即代表電動工具正處於此一狀態。LED 燈將在重新回到理想操作溫度後熄滅。

作業注意事項

► **電動工具應先停止運轉，然後才放到螺母／螺栓上。**轉動中的嵌件工具可能會滑開。

使用低轉速長期操作之後，應該讓電動工具以最大轉速空轉約 3 分鐘來幫助機器冷卻。

在金屬上鑽孔時，僅能使用完好的銳利 HSS 鑽頭 (HSS = 高速鋼)。選用 **Bosch** 原廠的配件產品，即可確保符合此品質等級。

將較大、較長螺栓旋入堅硬材質之前，應先以螺紋孔底徑預鑽孔至 2/3 螺栓長度。

腰帶夾 (請參考圖 E)

使用腰帶夾 (16) 即可把電動工具掛在腰帶上。如此不但能夠空出雙手而且電動工具亦隨手可及。

工具頭夾持器 (請參考圖 F)

您可將螺絲起子工具頭插在夾持器 (17) 裡，以便收納。

彩色夾 (請參考圖 G)

未安裝腰帶夾 (16) 或工具頭夾持器時，才可使用彩色夾 (18)。

維修和服務

維修和清潔

► 在電動工具上進行任何維護的工作 (例如維修，更換工具等) 以及搬運和儲存電動工具之前，都必須電動工具中取出充電電池。若是不小心觸動起停開關，可能造成人員受傷。

► 電動工具和通風口都必須保持清潔，這樣才能夠提高工作品質和安全性。

顧客服務處和顧客諮詢中心

本公司顧客服務處負責回答有關本公司產品的維修、維護和備用零件的問題。以下的網頁中有分解圖和備用零件相關資料：www.bosch-pt.com
如果對本公司產品及其配件有任何疑問，博世應用諮詢小組很樂意為您提供協助。

當您需要諮詢或訂購備用零件時，請務必提供本產品型號銘牌上 10 位數的產品機號。

中國香港和澳門特別行政區

羅伯特·博世有限公司
香港北角英皇道625號21樓
客戶服務熱線：+852 2101 0235
傳真：+852 2590 9762
電子郵件：info@hk.bosch.com
www.bosch-pt.com.hk

台灣

台灣羅伯特博世股份有限公司
建國北路一段90號6樓
台北市10491
電話：(02) 7734 2588
傳真：(02) 2516 1176
www.bosch-pt.com.tw

製造商地址：

Robert Bosch Power Tools GmbH
羅伯特·博世電動工具有限公司
70538 Stuttgart / GERMANY
70538 斯圖加特/德國

搬運

隨貨附上的鋰離子充電電池受危險物品法的規範。使用者無須另外使用保護包裝便可運送該充電電池。

但是如果將它交由第三者運送（例如：寄空運或委託運輸公司），則應遵照包裝與標示的相關要求。此時必須向危險物品專家請教有關寄送危險物品的相關事宜。

確定充電電池的外殼未受損後，才可以寄送充電電池。用膠帶貼住裸露的接點並妥善包裝充電電池，不可以讓充電電池在包裝材料中晃動。同時也應留意各國相關法規。

廢棄物處理



必須以符合環保的方式，將損壞的電動工具、充電電池、配件和包裝材料進行回收再利用。



不可以把電動工具和充電電池／拋棄式電池丟入一般家庭垃圾中！

充電電池／拋棄式電池：

鋰離子：

請注意「搬運」段落中的指示（參見「搬運」，頁 55）。

ไทย

คำเตือนเพื่อความปลอดภัย

คำเตือนเพื่อความปลอดภัยทั่วไปสำหรับเครื่องมือไฟฟ้า

คำเตือน อ่านคำเตือนเพื่อความปลอดภัย คำแนะนำ ภาพประกอบ และข้อมูล

จำเพาะทั้งหมดที่จัดส่งมาพร้อมกับเครื่องมือไฟฟ้า

การไม่ปฏิบัติตามคำแนะนำทั้งหมดที่ระบุไว้ด้านล่างนี้อาจทำให้ถูกไฟฟ้าดูด เกิดไฟไหม้ และ/หรือได้รับบาดเจ็บอย่างร้ายแรง

เก็บรักษาคำเตือนและคำสั่งทั้งหมดสำหรับเปิดอ่านในภายหลัง

คำว่า "เครื่องมือไฟฟ้า" ในคำเตือนหมายถึง เครื่องมือไฟฟ้าของท่านที่ทำงานด้วยพลังงานไฟฟ้าจากแหล่งจ่ายไฟหลัก (มีสายไฟฟ้า) และเครื่องมือไฟฟ้าที่ทำงานด้วยพลังงานไฟฟ้าจากแบตเตอรี่ (ไร้สาย)

ความปลอดภัยในสถานที่ทำงาน

- ▶ รักษาสถานที่ทำงานให้สะอาดและมีไฟส่องสว่างดี สถานที่ที่มีมืดหรืออับทึบหรือมีฝุ่นซึ่งอาจก่อให้เกิดอันตราย
- ▶ อย่าใช้เครื่องมือไฟฟ้าทำงานในสภาพบรรยากาศที่จุดติดไฟได้ เช่น ในที่ที่มีของเหลวไวไฟ ก๊าซ หรือฝุ่น เมื่อใช้เครื่องมือไฟฟ้าจะเกิดประกายไฟซึ่งอาจจุดฝุ่นหรือไอให้ลุกเป็นไฟได้
- ▶ ขณะใช้เครื่องมือไฟฟ้าทำงาน ต้องกันเด็กและผู้ยี่นดูให้ออกห่าง การหันเหความสนใจอาจทำให้ท่านขาดการควบคุมเครื่องมือได้

ความปลอดภัยเกี่ยวกับไฟฟ้า

- ▶ ปลั๊กของเครื่องมือไฟฟ้าต้องเหมาะสมกับเต้าเสียบ อย่าตัดแปลงปลั๊กไม่ว่าในลักษณะใดๆ อย่างเด็ดขาด อย่าใช้ปลั๊กพ่วงต่อใดๆ กับเครื่องมือไฟฟ้าที่มีสายดิน ปลั๊กที่ไม่ตัดแปลงและเต้าเสียบที่เข้ากันช่วยลดความเสี่ยงจากการถูกไฟฟ้าดูด
- ▶ หลีกเลี่ยงอย่าให้ร่างกายสัมผัสกับพื้นผิวที่ต่อสายดินหรือลงกราวด์ไว้ เช่น ห่อ เครื่องทำความร้อน เต้า และตู้เย็น จะเสี่ยงอันตรายจากการถูกไฟฟ้าดูดมากขึ้นหากกระแสไฟฟ้าวิ่งผ่านร่างกายของท่านลงดิน

- ▶ **อย่าให้เครื่องมือไฟฟ้าถูกฝนหรืออยู่ในสภาพเปียกชื้น** หากน้ำเข้าไปในเครื่องมือไฟฟ้า จะเพิ่มความเสี่ยงจากการถูกไฟฟ้าดูด
- ▶ **อย่าใช้สายไฟฟ้าในทางที่ผิด** อย่าใช้สายไฟฟ้าเพื่อยก ดึง หรือถอดปลั๊กเครื่องมือไฟฟ้า กันสายไฟฟ้าออกจากความร้อน น้ำมัน ขอบแหลมคม หรือชิ้นส่วนที่เคลื่อนที่ สายไฟฟ้าที่ชำรุดหรือพันกันยุ่งเพิ่มความเสี่ยงจากการถูกไฟฟ้าดูด
- ▶ **เมื่อใช้เครื่องมือไฟฟ้าทำงานกลางแจ้ง ให้ใช้สายไฟ** ต่อที่เหมาะสมสำหรับการใช้งานกลางแจ้ง การใช้สายไฟต่อที่เหมาะสมสำหรับงานกลางแจ้ง ช่วยลดอันตรายจากการถูกไฟฟ้าดูด
- ▶ **หากไม่สามารถหลีกเลี่ยงการใช้เครื่องมือไฟฟ้าทำงาน** ในสถานที่เปียกชื้นได้ ให้ใช้สวิตช์ตัดวงจรเมื่อเกิดการรั่วไหลของไฟฟ้าจากสายดิน (RCD) การใช้สวิตช์ตัดวงจรเมื่อเกิดการรั่วไหลของไฟฟ้าจากสายดินช่วยลดความเสี่ยงต่อการถูกไฟฟ้าดูด

ความปลอดภัยของบุคคล

- ▶ **ท่านต้องอยู่ในสภาพเตรียมพร้อม ระวังระดับแรงในสิ่งที่** ท่านกำลังทำอยู่ และมีสติขณะใช้เครื่องมือไฟฟ้าทำงาน อย่าใช้เครื่องมือไฟฟ้าขณะที่ท่านกำลังเหนื่อย หรืออยู่ภายใต้การครอบงำของฤทธิ์ของยาเสพติด แอลกอฮอล์ และยา เมื่อใช้เครื่องมือไฟฟ้าทำงานในขั้นงานที่ท่านขาดความเอาใจใส่อาจทำให้บุคคลบาดเจ็บอย่างรุนแรงได้
- ▶ **ใช้อุปกรณ์ปกป้องร่างกาย สวมแว่นตาป้องกันเสมอ** อุปกรณ์ปกป้อง เช่น หน้ากากกันฝุ่น รองเทากันลื่น หมวกแข็ง หรือประคบหูกันเสียงดังที่ไซตามความเหมาะสมกับสภาพการทำงาน จะลดการบาดเจ็บทางร่างกาย
- ▶ **ป้องกันการติดเครื่องโดยไม่ตั้งใจ ตรวจสอบให้แน่ใจ** ว่าสวิตช์อยู่ในตำแหน่งปิดก่อนเชื่อมต่อเข้ากับแหล่งจ่ายไฟ และ/หรือแบตเตอรี่แพ็ค ยกหรือถือเครื่องมือ การถือเครื่องโดยใช้นิ้วหัวที่สวิตช์ หรือเสียบปลั๊กไฟฟ้าขณะสวิตช์เปิดอยู่ อาจนำไปสู่อุบัติเหตุที่ร้ายแรงได้
- ▶ **นำเครื่องมือปรับแต่งหรือประแจปากตายออกก่อนเปิด** สวิตช์เครื่องมือไฟฟ้า เครื่องมือหรือประแจปากตายที่วางอยู่กับสวนของเครื่องที่กำลังหมุนจะทำให้บุคคลบาดเจ็บได้
- ▶ **อย่าเอื้อมไกลเกินไป** ตั้งทำขึ้นที่มั่นคงและวางน้ำหนักให้สมดุลตลอดเวลา ในลักษณะนี้ท่านสามารถควบคุมเครื่องมือไฟฟ้าในสถานการณ์ที่ไม่คาดคิดได้ดีกว่า
- ▶ **แต่งกายอย่างเหมาะสม** อย่าใส่เสื้อผ้าหลวมหรือสวมเครื่องประดับ เาหมและเสื้อผ้าออกห่างจากชิ้นส่วนที่

เคลื่อนที่ เสื้อผ้าหลวม เครื่องประดับ และผม ยาวอาจเข้าไปติดในชิ้นส่วนที่เคลื่อนที่

- ▶ **หากเครื่องมือไฟฟ้ามีข้อเชื่อมต่อกับเครื่องดูดฝุ่นหรือเครื่องเก็บผง ให้ตรวจสอบให้แน่ใจว่าได้เชื่อมต่อและใช้งานอย่างถูกต้อง** การใช้อุปกรณ์ดูดฝุ่นช่วยลดอันตรายที่เกิดจากฝุ่นได้
- ▶ **เมื่อใช้งานเครื่องบ่อยครั้งจะเกิดความคุ้นเคย** อย่าให้ความคุ้นเคยทำให้ท่านเกิดความชะล่าใจและละเลยกฎเกณฑ์ด้านความปลอดภัยในการใช้งานเครื่อง การทำงานอย่างไม่ระมัดระวังอาจทำให้เกิดการบาดเจ็บอย่างร้ายแรงภายในเสี้ยววินาที

การใช้และการดูแลรักษาเครื่องมือไฟฟ้า

- ▶ **อย่าฝืนกำลังเครื่องมือไฟฟ้า ใช้เครื่องมือไฟฟ้าที่ถูก** ต้องตรงตามลักษณะงานของท่าน เครื่องมือไฟฟ้าที่ต้องจะทำงานได้ดีกว่าและปลอดภัยกว่าในระดับสมรรถภาพที่ออกแบบไว้
- ▶ **อย่าใช้เครื่องมือไฟฟ้าถ้าสวิตช์ไม่สามารถเปิดปิดได้** เครื่องมือไฟฟ้าที่ไม่สามารถควบคุมการเปิดปิดด้วยสวิตช์ได้ เป็นเครื่องมือไฟฟ้าที่ไม่ปลอดภัยและต้องส่งซ่อมแซม
- ▶ **ก่อนปรับแต่งเครื่อง เปลี่ยนอุปกรณ์ประกอบ หรือเก็บ** เครื่องเข้าที่ ต้องถอดปลั๊กออกจากแหล่งจ่ายไฟ และ/หรือถอดแบตเตอรี่แพ็คออกจากเครื่องมือไฟฟ้าหากถอดออกได้ มาตรการป้องกันเพื่อความปลอดภัยนี้ช่วยลดความเสี่ยงจากการติดเครื่องโดยไม่ตั้งใจ
- ▶ **เมื่อเลิกใช้งานเครื่องมือไฟฟ้า ให้เก็บเครื่องไว้ในที่ที่** เด็กหยิบไม่ถึง และไมอนุญาตให้บุคคลที่ไม่คุ้นเคยกับเครื่องหรือบุคคลที่ไม่ได้อ่านคำแนะนำเหล่านี้ใช้เครื่องมือไฟฟ้าเป็นของอันตรายหากตกอยู่ในมือของผู้ใช้ที่ไม่ได้รับการฝึกฝน
- ▶ **บำรุงรักษาเครื่องมือไฟฟ้าและอุปกรณ์ประกอบ** ตรวจสอบชิ้นส่วนที่เคลื่อนที่ว่าวางไม่ตรงแนวหรือติดขัดหรือไม่ ตรวจสอบการแตกหักของชิ้นส่วนและสภาพอื่นใดที่อาจมีผลต่อการทำงานของเครื่องมือไฟฟ้า หากชำรุดต้องส่งเครื่องมือไฟฟ้าไปซ่อมแซมก่อนใช้งาน อุบัติเหตุหลายอย่างเกิดขึ้นเนื่องจากดูแลรักษาเครื่องมือไม่ดีพอ
- ▶ **รักษาเครื่องมือตัดให้คมและสะอาด** หากบำรุงรักษาเครื่องมือที่มีขอบตัดแหลมคมอย่างถูกต้อง จะสามารถตัดได้ลื่นไม่ติดขัดและควบคุมได้ง่ายกว่า
- ▶ **ใช้เครื่องมือไฟฟ้า อุปกรณ์ประกอบ เครื่องมือ และอุปกรณ์** อื่นๆ ตรงตามคำแนะนำเหล่านี้ โดยคำนึงถึงเงื่อนไขการทำงานและงานที่จะทำ การใช้เครื่อง

มือไฟฟ้าทำงานที่ต่างไปจากวัตถุประสงค์การใช้งานของเครื่อง อาจนำไปสู่สถานการณ์ที่เป็นอันตรายได้

- ▶ **ดูแลคัมจับและพื้นผิวจับให้แห้ง สะอาด และปราศจากคราบน้ำมันและจาระบี** คัมจับและพื้นผิวจับที่ลื่นทำให้หยิบจับได้ไม่ปลอดภัย และไม่สามารถควบคุมเครื่องมือในสถานการณ์ที่ไม่คาดคิด

การใช้และการดูแลรักษาเครื่องที่ใช้แบตเตอรี่

- ▶ **ชาร์จไฟใหม่ด้วยเครื่องชาร์จที่บริษัทผู้ผลิตระบุไว้เท่านั้น**
เครื่องชาร์จที่เหมาะสมสำหรับชาร์จแบตเตอรี่แพ็คเกจหนึ่ง หากนำไปชาร์จแบตเตอรี่แพ็คเกจอื่น อาจเกิดไฟไหม้ได้
- ▶ **ใช้เครื่องมือไฟฟ้าเฉพาะกับแบตเตอรี่แพ็คเกจที่กำหนดไว้เท่านั้น** การใช้แบตเตอรี่แพ็คเกจอื่นเสี่ยงต่อการเกิดไฟไหม้หรือบาดเจ็บ
- ▶ **เมื่อไม่ใช้งานแบตเตอรี่แพ็คเกจ ให้เก็บไว้ห่างวัตถุที่เป็นโลหะอื่นๆ เช่น คลิปหนีบกระดาษ เหยือก ทุญแจ ตะปู สกรู หรือวัตถุที่เป็นโลหะขนาดเล็กอื่นๆ ที่สามารถเชื่อมต่อขั้วหนึ่งไปยังอีกขั้วหนึ่งได้**
การลัดวงจรของขั้วแบตเตอรี่อาจทำให้เกิดการไหม้หรือไฟลุกได้
- ▶ **หากใช้แบตเตอรี่อย่างอาจมีของเหลวไหลออกมาจากแบตเตอรี่ได้ ให้หลีกเลี่ยงการสัมผัส หากสัมผัสโดยบังเอิญ ให้ใช้น้ำล้าง หากของเหลวเข้าตา ให้ขอความช่วยเหลือจากแพทย์ด้วย**
ของเหลวที่ไหลออกมาจากแบตเตอรี่อาจทำให้เกิดอาการคันหรือแสบผิวหนังได้
- ▶ **อย่าใช้แบตเตอรี่แพ็คเกจหรือเครื่องมือที่ชำรุดหรือดัดแปลง**
แบตเตอรี่ที่ชำรุดหรือดัดแปลงอาจแสดงอาการที่ไม่สามารถคาดเดาได้ ส่งผลให้เกิดไฟไหม้ ระเบิด หรือความเสี่ยงต่อการได้รับบาดเจ็บ
- ▶ **อย่าให้แบตเตอรี่แพ็คเกจหรือเครื่องมือสัมผัสไฟหรืออุณหภูมิที่สูงเกินไป** หากสัมผัสไฟหรืออุณหภูมิที่สูงกว่า 130 °C อาจทำให้เกิดการระเบิดได้
- ▶ **ปฏิบัติตามคำแนะนำเกี่ยวกับกาชาร์จทั้งหมด และต้องไม่ชาร์จแบตเตอรี่แพ็คเกจหรือเครื่องมือนอกช่วงอุณหภูมิที่กำหนดในคำแนะนำ** การชาร์จแบตเตอรี่อย่างไม่ถูกวิธีหรือนอกช่วงอุณหภูมิที่กำหนด อาจทำให้แบตเตอรี่เสียหายและเพิ่มความเสี่ยงต่อการเกิดไฟไหม้

การบริการ

- ▶ **ส่งเครื่องมือไฟฟ้าของท่านเข้ารับบริการจากช่างซ่อมที่มีคุณสมบัติเหมาะสม โดยใช้อะไหล่ที่เหมือน**

กันเท่านั้น ในลักษณะนี้ท่านจะแน่ใจได้ว่าเครื่องมือไฟฟ้าอยู่ในสภาพที่ปลอดภัย

- ▶ **อย่าบำรุงรักษาแบตเตอรี่แพ็คเกจที่ชำรุดอย่างเด็ดขาด**
ต้องส่งให้บริษัทผู้ผลิตหรือศูนย์บริการที่ได้รับอนุญาตทำการบำรุงรักษาแบตเตอรี่แพ็คเกจนั้น

คำเตือนเพื่อความปลอดภัยสำหรับส่วนและไขควง

ความปลอดภัยสำหรับส่วนและไขควง

คำเตือนเพื่อความปลอดภัยสำหรับการทำงานทั้งหมด

- ▶ **สวมประภหุ์ป้องกันเสียงดังเมื่อเจาะกระแทก** การรับฟังเสียงดังอาจทำให้สูญเสียการได้ยิน
- ▶ **เมื่อทำงานในบริเวณที่อุปกรณ์ตัดหรือสกรูอาจสัมผัสสายไฟฟ้าที่ซ่อนอยู่** ต้องจับเครื่องมือไฟฟ้าตรงพื้นผิวจับที่หุ้มฉนวน หากอุปกรณ์ตัดหรือสกรูสัมผัสสายที่ "มีกระแสไฟฟ้า" ไหลผ่านจะทำให้ชิ้นส่วนโลหะที่ไม่มีการป้องกันของเครื่องมือไฟฟ้าเกิด "มีกระแสไฟฟ้า" ด้วย และส่งผลให้ผู้ใช้งานเครื่องมือถูกไฟฟ้าดูดได้

คำเตือนเพื่อความปลอดภัยเมื่อใช้ดอกสว่านยาว

- ▶ **อย่าทำงานด้วยความเร็วที่สูงกว่าอัตราความเร็วสูงสุดของดอกสว่าน** ที่ความเร็วที่สูงกว่า ดอกสว่านอาจโค้งงอเมื่อปล่อยให้หมุนอย่างอิสระโดยไม่สัมผัสชิ้นงาน และส่งผลให้ได้รับบาดเจ็บทางร่างกาย
- ▶ **เริ่มต้นเจาะด้วยความเร็วต่ำและให้ปลายดอกสว่านสัมผัสชิ้นงานเสมอ** ที่ความเร็วที่สูงกว่า ดอกสว่านอาจโค้งงอเมื่อปล่อยให้หมุนอย่างอิสระโดยไม่สัมผัสชิ้นงาน และส่งผลให้ได้รับบาดเจ็บทางร่างกาย
- ▶ **ใช้แรงกดให้ตรงกับแนวดอกสว่านเท่านั้นและอย่าใช้แรงกดมากเกินไป** ดอกสว่านอาจโค้งงอทำให้แตกหักหรือสูญเสียการควบคุม และส่งผลให้ได้รับบาดเจ็บทางร่างกาย

คำแนะนำเพื่อความปลอดภัยเพิ่มเติม

- ▶ **จับเครื่องมือไฟฟ้าให้แน่น** ขณะขันสกรูเข้าและคลายออก อาจเกิดแรงบิดสะท้อนช่วงสั้นๆ อย่างรุนแรงได้
- ▶ **ยึดชิ้นงานให้แน่น** การยึดชิ้นงานด้วยเครื่องหนีบหรือแทนจับจะมั่นคงกว่าการยึดด้วยมือ
- ▶ **ใช้เครื่องตรวจจับที่เหมาะสมเพื่อตรวจหาสายไฟฟ้าหรือท่อสาธารณูปโภคที่อาจซ่อนอยู่ในบริเวณทำงานหรือติดต่อบริษัทสาธารณูปโภคในพื้นที่เพื่อขอความช่วยเหลือ** การสัมผัสกับสายไฟฟ้าอาจทำให้เกิดไฟไหม้หรือถูกไฟฟ้าดูด การทำให้ท่อแก๊สเสียหายอาจทำให้เกิดระเบิด การเจาะเข้าไปในท่อน้ำ ทำให้ทรัพย์สินเสียหาย
- ▶ **รอให้เครื่องมือไฟฟ้าหยุดสนิทก่อนวางเครื่องลงบนพื้น** เครื่องมือที่ปล่อยอาจดิ้นและทำให้สูญเสียการควบคุมเครื่องมือไฟฟ้า

- ▶ เมื่อแบตเตอรี่ชาร์จและนำไปใช้งานอย่างไม่ถูกต้อง อาจมีไอระเหยออกมาได้ แบตเตอรี่อาจเผาไหม้หรือระเบิดได้ให้สูดอากาศบริสุทธิ์และไปพบแพทย์ในกรณีเจ็บปวด ไอระเหยอาจทำให้ระบบหายใจระคายเคือง
- ▶ อย่าเปิดแบตเตอรี่ อันตรายจากการลัดวงจร
- ▶ วัตถุที่แหลมคม ต. ย. เช่น ตะปูหรือไขควง หรือแรงกระทำภายนอก อาจทำให้แบตเตอรี่เสียหายได้ สิ่งเหล่านี้ อาจทำให้เกิดการลัดวงจรภายในและแบตเตอรี่ใหม่ มีควัน ระเบิด หรือร้อนเกินไป
- ▶ ใช้แบตเตอรี่ที่เฉพาะเจาะจงในผลิตภัณฑ์ของผู้ผลิตเท่านั้น ในลักษณะนี้ แบตเตอรี่พิเศษจะได้รับการปกป้องจากการใช้งานเกินกำลังซึ่งเป็นอันตราย



ปกป้องแบตเตอรี่จากความร้อน รวมทั้ง ต. ย. เช่น จากการถูกแสงแดดส่องต่อเนื่อง จากไฟ สิ่งสกปรก น้ำ และความชื้น อันตรายจากการระเบิดและการลัดวงจร



- ▶ ปิดสวิตช์เครื่องมือไฟฟ้าทันทีหากเครื่องมือติดขัด ให้เตรียมพร้อมสำหรับปฏิกิริยาแรงบิดสูงซึ่งเป็นเหตุให้เกิดการติ๊กกลับ เครื่องมือจะติดขัดเมื่อเครื่องมือไฟฟ้าถูกใช้งานเกินกำลังหรือเครื่องมือถูกบีบอัดอยู่ในชิ้นงาน

รายละเอียดผลิตภัณฑ์และข้อมูลจำเพาะ



อ่านค่าเตือนเพื่อความปลอดภัยและคำแนะนำทั้งหมด การไม่ปฏิบัติตามคำแนะนำและค่าสั่งอาจเป็นสาเหตุให้ถูกไฟฟ้าดูด เกิดไฟไหม้ และ/หรือได้รับบาดเจ็บอย่างร้ายแรง

กรุณาดูภาพประกอบในส่วนหน้าของคู่มือการใช้งาน

ข้อมูลทางเทคนิค

ส่วน/ไขควงไร้สาย		GSB 12V-35	GSR 12V-35	GSR 12V-35 HX
หมายเลขสินค้า		3 601 JJ9 0..	3 601 JH8 0..	3 601 JJ9 1..
แรงดันไฟฟ้าพิกัด	V=	12	12	12
ความเร็วรอบเดินเปล่า ^{A)}				
- เกียร์ 1	รอบ/ นาที	0-460	0-460	0-460
- เกียร์ 2	รอบ/ นาที	0-1750	0-1750	0-1750

ประโยชน์การใช้งานของเครื่อง

เครื่องมือไฟฟ้านี้ใช้สำหรับขันสกรูเข้าและคลายออก รวมทั้งเจาะรูในไม้ โลหะ เซรามิก และพลาสติก รุ่น GSB ยังใช้สำหรับเจาะกระแทกในอิฐ งานก้ออิฐ และหินได้ด้วย

ส่วนประกอบที่แสดงภาพ

ลำดับเลขของส่วนประกอบผลิตภัณฑ์อาจถึงส่วนประกอบของเครื่องที่แสดงในหน้าภาพประกอบ

- (1) ด้ามจับเครื่องมือ
- (2) หัวจับดอกชนิดจับเร็ว
- (3) ปลอกสำหรับล้อค (GSR 12V-35 HX)
- (4) แหวนตั้งแรงบิดล่วงหน้า
- (5) แหวนปรับเพื่อเลือกโหมดปฏิบัติการ (GSB)
- (6) สวิตช์ตั้งเกียร์
- (7) สวิตช์เปลี่ยนทิศทางการหมุน
- (8) แป้นปลดล้อคแบตเตอรี่^{A)}
- (9) แบตเตอรี่แพ็ค^{A)}
- (10) สวิตช์เปิด-ปิด
- (11) ไฟแสดงสถานะการชาร์จแบตเตอรี่
- (12) หลอดไฟ "PowerLight"
- (13) ด้ามจับ (พื้นผิวจับหุ้มฉนวน)
- (14) ดอกไขควง^{A)}
- (15) ก้านจับดอกหัวไป^{A)}
- (16) คลิปเข็มขัด^{A)}
- (17) ที่ใส่ดอกไขควง^{A)}
- (18) คลิปสี^{A)}

A) อุปกรณ์ประกอบที่แสดงภาพหรืออธิบายไม่รวมอยู่ในการจัดส่งมาตรฐาน กรุณาดูอุปกรณ์ประกอบทั้งหมดในรายการแสดงอุปกรณ์ประกอบของเรา

ส่วน/ไขควงไร้สาย		GSB 12V-35	GSR 12V-35	GSR 12V-35 HX
อัตรากระแส ^{A)}	รอบ/ นาที	26250	-	-
แรงบิดสูงสุดสำหรับการขันสกรูแบบแข็ง/นุ้ตาม ISO 5393 ^{A)}	นิวตัน เมตร	35/20	35/20	35/20
Ø-การเจาะ สูงสุด (เกียร์ 1/2)				
- งานก่ออิฐ	มม.	10	-	-
- เหล็กกล้า	มม.	10	10	10
- ไม้	มม.	32	32	32
วงหนีบหัวจับดอก	มม.	0,8-10	0,8-10	-
ด้ามจับเครื่องมือ	มม.	-	-	6,35 ¼"
Ø-สกรู สูงสุด	มม.	8	8	8
น้ำหนักตามระเบียบการ EPTA-Procedure 01:2014 ^{A)}	กก.	1,0-1,2	0,93-1,2	0,75-1,0
อุณหภูมิโดยรอบที่แนะนำเมื่อชาร์จ	°C	0 ... +35	0 ... +35	0 ... +35
อุณหภูมิโดยรอบที่อนุญาตเมื่อใช้งาน ^{B)} และระหว่างการเก็บรักษา	°C	-20 ... +50	-20 ... +50	-20 ... +50
แบตเตอรี่ที่แนะนำ		GBA 12V...	GBA 12V...	GBA 12V...
เครื่องชาร์จที่แนะนำ		GAL 12... GAX 18...	GAL 12... GAX 18...	GAL 12... GAX 18...

A) ขึ้นอยู่กับแบตเตอรี่แพ็คที่ใช้

B) สมรรถภาพจะน้อยลงที่อุณหภูมิ <0 °C

การติดตั้ง

- ▶ ถอดแบตเตอรี่ออกจากเครื่องมือไฟฟ้าก่อนทำการปรับแต่งใดๆ ที่เครื่องมือไฟฟ้า (ต. ย. เช่น บำรุงรักษา เปลี่ยนเครื่องมือ ฯลฯ) รวมทั้งเมื่อขนย้ายและเก็บรักษา อันตรายจากการบาดเจ็บหากสวิตช์เปิด-ปิดติดขึ้นอย่างไม่ตั้งใจ

การชาร์จแบตเตอรี่

- ▶ ใช้เฉพาะเครื่องชาร์จแบตเตอรี่ที่ระบุในข้อมูลทางเทคนิคเท่านั้น เฉพาะเครื่องชาร์จแบตเตอรี่เหล่านี้เท่านั้นที่เข้าชุดกับแบตเตอรี่ลิเธียมไอออน ที่ใช้ในเครื่องมือไฟฟ้าของท่าน

หมายเหตุ: แบตเตอรี่แพ็คที่จัดส่งมาถูกชาร์จมาแล้วบางส่วน เพื่อให้แบตเตอรี่แพ็คทำงานได้เต็มประสิทธิภาพ

ต้องชาร์จแบตเตอรี่แพ็ค

ในเครื่องชาร์จแบตเตอรี่ให้เต็มก่อนใช้งานเครื่องมือไฟฟ้าของท่านเป็นครั้งแรก

แบตเตอรี่ลิเธียม ไอออน

สามารถชาร์จได้ทุกเวลาโดยอายุการใช้งานจะไม่ลดลง การชาร์จหวัะกระบวนการชาร์จไม่ทำให้แบตเตอรี่แพ็คเสียหาย

“Electronic Cell Protection (ECP)” ช่วยป้องกันไม่ให้แบตเตอรี่ลิเธียม ไอออน จ่ายกระแสไฟออกอีก

เมื่อแบตเตอรี่แพ็คหมดไฟ วงจรป้องกันระดับสวิตช์เครื่องมือไฟฟ้าที่ใส่อยู่จะไม่หมุนต่อ

- ▶ เมื่อเครื่องมือไฟฟ้าปิดสวิตช์ลงโดยอัตโนมัติ อย่ากดสวิตช์เปิด-ปิด อีกต่อไป แบตเตอรี่แพ็คอาจชาร์จได้อ่านและปฏิบัติตามข้อสั่งสำหรับการกำจัดขยะ

การถอดแบตเตอรี่ (ดูภาพประกอบ A)

หากต้องการถอดแบตเตอรี่แพ็ค (9) ออก ให้กดแป้นปลดล็อคแบตเตอรี่แพ็คทั้งสอง (8) และดึงแบตเตอรี่แพ็คลงด้านล่างออกจากเครื่องมือไฟฟ้า อย่าใช้กำลังดึง

การเปลี่ยนเครื่องมือ

▶ ถอดแบตเตอรี่ออกจากเครื่องมือไฟฟ้าก่อนทำการปรับแต่งใดๆ ที่เครื่องมือไฟฟ้า (ต. ย. เช่น บำรุงรักษา เปลี่ยนเครื่องมือ ฯลฯ) รวมทั้งเมื่อขนย้ายและเก็บรักษา อันตรายจากการบาดเจ็บหากสวิตช์เปิด-ปิดติดขึ้นอย่างไม่ตั้งใจ

การใส่เครื่องมือ (ดูภาพประกอบ: GSR 12V-35 HX (ดูภาพประกอบ C))

ดึงปลอกสำหรับล็อค (3) ไปข้างหลัง จับเครื่องมือใส่เข้าไปตามจับเครื่องมือ (1) จนสุด และปล่อยมือจากปลอกสำหรับล็อค (3)

โปรดทราบว่า ระบบล็อคได้รับการปรับให้เหมาะสมกับขนาดทั่วไปของเครื่องมือในแต่ละประเทศ

การใส่เครื่องมือ: GSB 12V-35/GSR 12V-35 (ดูภาพประกอบ B)

เปิดหัวจับดอกชนิดจับเร็ว (2) โดยหมุนไปในทิศทางหมุน Ⓚ จนสามารถใส่เครื่องมือได้ ใส่เครื่องมือเข้าใช้มือหมุนปลอกของหัวจับดอกชนิดจับเร็ว (2) ไปในทิศทางหมุน Ⓛ เข้าให้แน่น ในลักษณะนี้หัวจับดอกจะถูกล็อคโดยอัตโนมัติ

การล็อคจะถูกปลดออกอีกครั้งเมื่อท่านหมุนปลอกไปในทิศทางตรงกันข้ามเพื่อถอดเครื่องมือออก

การถอดเครื่องมือ: GSR 12V-35 HX

ดึงปลอกสำหรับล็อค (3) ไปทางด้านหลังและดึงเครื่องมือออกจากด้ามจับ (1)

การถอดฝุ่น/ขี้เลื่อย

ฝุ่นที่ได้จากวัสดุ เช่น เคลือบผิวที่มีสารตะกั่ว ไม้ยางประเภทแรอวูด และโลหะ อาจเป็นอันตรายต่อสุขภาพ การสัมผัสหรือการหายใจเอาฝุ่นเข้าไปอาจทำให้เกิดปฏิกิริยาแพ้ฝุ่น และ/หรือนำมาซึ่งโรคติดเชื้อระบบหายใจแก่ผู้ใช้เครื่องมือหรือผู้ที่ยืนอยู่ใกล้เคียง

ฝุ่นบางประเภท เช่น ฝุ่นไม้โอ๊ก หรือไม้มีซัย นับเป็นสารที่ทำให้เกิดมะเร็ง โดยเฉพาะอย่างยิ่งเมื่อผสมกับสารเติมแต่งเพื่อบำบัดไม้ (โครเมต ผลิตภัณฑ์รักษาเนื้อไม้) สำหรับวัสดุที่มีแอลเบสทอลต้องให้ผู้เชี่ยวชาญทำงานเท่านั้น

- จัดสถานที่ทำงานให้มีกระแสลมอากาศที่ดี
- ขอแนะนำให้สวมหน้ากากป้องกันการติดเชื้อที่มีระดับ-ไลกรอง P2

ปฏิบัติตามกฎข้อบังคับสำคัญอื่นๆ ที่เกี่ยวกับวัสดุชิ้นงานที่บังคับใช้ในประเทศของท่าน

▶ **ป้องกันการสะสมของฝุ่นในสถานที่ทำงาน**
ฝุ่นสามารถถูกใหม่อย่างง่ายดาย

การปฏิบัติงาน

การเริ่มต้นปฏิบัติงาน

การใส่แบตเตอรี่

หมายเหตุ: การใช้แบตเตอรี่แพ็คที่ไม่เหมาะกับเครื่องมือไฟฟ้าของท่านอาจทำให้เครื่องมือไฟฟ้าทำงานผิดปกติหรือเสียหายได้

ตั้งสวิตช์เปลี่ยนทิศทางการหมุน (7) ไว้ที่กึ่งกลางเพื่อป้องกันการเปิดสวิตช์โดยไม่ตั้งใจ ใส่แบตเตอรี่แพ็คที่ชาร์จไฟแล้ว (9) เข้าในด้ามจับจนได้ยินเสียงล็อคเข้าที่และวางราบเสมอกันกับด้ามจับ

การตั้งทิศทางการหมุน (ดูภาพประกอบ D)

ท่านสามารถเปลี่ยนทิศทางการหมุนของเครื่องมือไฟฟ้าได้ด้วยสวิตช์เปลี่ยนทิศทางการหมุน (7) อย่างไรก็ตาม หากสวิตช์เปิด-ปิด (10) ถูกกดอยู่ จะกลับทิศทางการหมุนไม่ได้

การหมุนทางขวา: สำหรับการเจาะและการขันสกรูเข้า ให้กดสวิตช์เปลี่ยนทิศทางการหมุน (7) ไปทางซ้ายจนสุด

การหมุนทางซ้าย: สำหรับการคลายหรือขันสกรูออก ให้กดสวิตช์เปลี่ยนทิศทางการหมุน (7) ไปทางขวาจนสุด

การตั้งแรงบิด

ท่านสามารถเลือกแรงบิดที่ต้องการล่วงหน้าได้ 20 ขั้นด้วยแหวนตั้งแรงบิดล่วงหน้า (4) หากตั้งไว้ถูกต้อง เครื่องมือที่ใส่อยู่จะหยุดในทันทีที่สกรูถูกขันเข้าในเนื้อวัสดุอย่างราบเรียบแล้ว หรือหยุดเมื่อถึงแรงบิดที่ตั้งไว้ ในตำแหน่ง **↖** คลัทช์นิรภัยจะไม่ทำงาน ต. ย. เช่น สำหรับการเจาะ เมื่อต้องการขันสกรูออก ให้เลือกค่าที่สูงขึ้นหรือสับสวิตช์ไปที่สัญลักษณ์ **↖**

การตั้งเกียร์ ระบบกลไก

▶ **สับสวิตช์ตั้งเกียร์ (6) เมื่อเครื่องมือหยุดนิ่งอยู่กับที่เท่านั้น**
ปุ่มตั้งเกียร์ (6) สามารถตั้งความเร็วรอบล่วงหน้าได้สองช่วงเกียร์ I:

ความเร็วรอบต่ำ สำหรับการขันสกรู หรือการเจาะรูเส้นผ่าศูนย์กลางขนาดใหญ่

เกียร์ II:

ความเร็วรอบสูงกว่า สำหรับการเจาะรูเส้นผ่าศูนย์กลางขนาดเล็ก

การตั้งโหมดทำงาน



การเจาะ

GSR

ตั้งแหวงตั้งแรงบิดล่วงหน้า (4) ไวที่สัญลักษณ์ "การเจาะ"

GSB

ตั้งแหวงตั้งแรงบิดล่วงหน้า (5) ไวที่สัญลักษณ์ "การเจาะ"



การขันสกรู

GSR

ตั้งแหวงตั้งแรงบิดล่วงหน้า (4) ไวที่แรงบิดที่ต้องการ

GSB

ตั้งแหวงตั้งแรงบิดล่วงหน้า (5) ไวที่สัญลักษณ์ "การเจาะ"

ตั้งแหวงตั้งแรงบิดล่วงหน้า (4) ไวที่แรงบิดที่ต้องการ



การเจาะกระแทก (GSB)

ตั้งแหวงตั้งแรงบิดล่วงหน้า (5) ไวที่สัญลักษณ์ "การเจาะ"

ความเร็วรอบ/ความเร็วกระแทก

ท่านสามารถปรับความเร็วรอบ/ความเร็วกระแทกของเครื่องมือไฟฟ้าที่เบ็ดสวิตช์อยู่ได้อย่างต่อเนื่องตามแรงกดมากน้อยบนสวิตช์เปิด-ปิด (10)

การกดสวิตช์เปิด-ปิด (10) เมฆจะได้ความเร็วรอบ/ความเร็วกระแทกต่ำ การกดสวิตช์แรงยิ่งขึ้นจะได้ความเร็วรอบ/ความเร็วกระแทกเพิ่มขึ้น

การเปิด-ปิดเครื่อง

สตาร์ทเครื่องมือไฟฟ้าโดยกดสวิตช์เปิด-ปิด (10) และกดค้างไว้

ปิดเครื่องมือไฟฟ้าโดยปล่อยนิ้วจากสวิตช์เปิด-ปิด (10)

ล็อคแกนด้วยระบบอัตโนมัติทั้งหมด (auto-lock)

แกนสว่านและตามจับเครื่องมือ (1) จะถูกล็อคไว้เมื่อไม่กดสวิตช์เปิด-ปิด (10)

ในลักษณะนี้จะช่วยให้สามารถขันสกรูได้แม้เมื่อแบตเตอรี่หมด (9) หรือใช้เครื่องมือไฟฟ้าเป็นไขควงได้

ไฟแสดงสถานะการชาร์จแบตเตอรี่

ไฟแสดงสถานะการชาร์จแบตเตอรี่ (11) จะแสดงสถานะการชาร์จของแบตเตอรี่แพคเกจสามวินาทีเมื่อกดสวิตช์เปิด-ปิด (10) ลงกึ่งหนึ่งหรือเต็มที ซึ่งประกอบด้วยไฟ LED สีเขียวสามดวง

ไฟ LED แสดงสถานะการชาร์จแบตเตอรี่ 3 ดวง (11) และไฟ (12) จะกะพริบอย่างรวดเร็วหากอุณหภูมิของแบตเตอรี่แพคเกจอยู่กึ่งอุณหภูมิใช้งานจาก -20 ถึง +50 °C

LED	ความจุ
ส่องสว่างต่อเนื่อง 3 x สีเขียว	≥76 %
ส่องสว่างต่อเนื่อง 2 x สีเขียว	51-75 %
ส่องสว่างต่อเนื่อง 1 x สีเขียว	26-50 %
กะพริบซ้ำๆ 1 x เขียว	≤25 %

การป้องกันการใช้งานเกินกำลังโดยอาศัยอุณหภูมิ

เมื่อใช้งานเครื่องมือไฟฟ้าตรงตามวัตถุประสงค์ เครื่องจะไม่ทำงานเกินพิกัด หากทำงานเกินพิกัดมากไป ระบบอิเล็กทรอนิกส์จะปิดเครื่องมือไฟฟ้าจนกว่าจะกลับมายู่ในช่วงอุณหภูมิใช้งานที่เหมาะสมอีกครั้ง

การวิ่งของไฟ LED แสดงสถานะการชาร์จแบตเตอรี่สามดวง (11) บ่งบอกถึงสถานะการนี้ ไฟ LED จะดับเมื่อเครื่องมือไฟฟ้ากลับสู่อุณหภูมิใช้งานที่เหมาะสมอีกครั้ง

ข้อแนะนำในการทำงาน

▶ **จับเครื่องมือไฟฟ้าข้ามหัวสกรู/นอตเมื่อเครื่องปิดอยู่เท่านั้น** เครื่องมือที่หมุนอยู่อาจลื่นไถล

หลังจากทำงานที่ความเร็วรอบต่ำเป็นเวลานาน ท่านควรเดินเครื่องมือไฟฟ้าตัวเปล่าที่ความเร็วสูงสุดเป็นเวลาประมาณ 3 นาทีเพื่อให้เครื่องเย็นลง

ให้ใช้เฉพาะดอกสว่าน HSS (HSS = high-speed steel) ที่ล้มคมอย่างดีสำหรับเจาะโลหะ โปรแกรม-อุปกรณ์ประกอบ-

Bosch รับประกันคุณภาพที่เหมาะสม

ก่อนขันสกรูตัวใหญ่กว่า ยาวกว่า เข้าในเบ็นวัสดุแข็ง ท่านควรเจาะรูนำด้วยเส้นผ่าศูนย์กลางหลักของเกลียวลึกประมาณ 2/3 ของความยาวสกรู

คลิบเข็มขัด (คุณภาพประกอบ E)

เมื่อใช้คลิบเข็มขัด (16) ท่านจะสามารถแขวนเครื่องมือไฟฟ้า ต. ย. เช่น เข็มขัดเข็มขัดได้ จากนั้นท่านจะมีมือวางทั้งสองข้างและสามารถหยิบจับเครื่องมือไฟฟ้าได้ตลอดเวลา

ที่ใส่ดอกไขควง (คุณภาพประกอบ F)

ท่านสามารถจัดเก็บดอกไขควงโดยเสียบในที่ใส่ดอกไขควง (17)

คลิบสี (คุณภาพประกอบ G)

ท่านสามารถใช้คลิบสี (18) ได้เฉพาะเมื่อไม่ได้ติดตั้งคลิบเข็มขัด (16) หรือที่ใส่ดอกไขควง

การบำรุงรักษาและการบริการ

การบำรุงรักษาและการทำความสะอาด

- ▶ ถอดแบตเตอรี่ออกจากเครื่องมือไฟฟ้าก่อนทำการปรับแต่งใดๆ ที่เครื่องมือไฟฟ้า (ต. ย. เช่น บำรุงรักษา เปลี่ยนเครื่องมือ ฯลฯ) รวมทั้งเมื่อขนย้ายและเก็บรักษา อันตรายจากการบาดเจ็บหากสวิทช์เปิด-ปิดติดขึ้นอย่างไม่ตั้งใจ
- ▶ เพื่อให้ทำงานได้อย่างถูกต้องและปลอดภัย ต้องรักษาเครื่องและช่องระบายอากาศ ให้สะอาดอยู่เสมอ

การบริการหลังการขายและการให้คำปรึกษาการใช้งาน

ศูนย์บริการหลังการขายของเรายินดีตอบคำถามของท่านที่เกี่ยวกับการบำรุงรักษาและการซ่อมแซมผลิตภัณฑ์รวมทั้งเรื่องอะไหล่ ภาพเขียนแบบการประกอบและข้อมูลเกี่ยวกับอะไหล่ กรุณาดูใน: www.bosch-pt.com

ทีมงานที่ปรึกษาของ บ็อสช ยินดีให้ข้อมูลเกี่ยวกับผลิตภัณฑ์ของเราและอุปกรณ์ประกอบต่างๆ

เมื่อต้องการสอบถามและสั่งซื้ออะไหล่ กรุณาแจ้งหมายเลขสินค้า 10 หลักบนแผ่นป้ายรุ่นของผลิตภัณฑ์ทุกครั้ง

ไทย

ไทย บริษัท โรเบิร์ต บ็อสช จำกัด
 เอฟวายไอ เซ็นเตอร์ อาคาร 1 ชั้น 5
 เลขที่ 2525 ถนนพระราม 4
 แขวงคลองเตย เขตคลองเตย กรุงเทพฯ 10110
 โทร: +66 2012 8888
 แฟกซ์: +66 2064 5800
www.bosch.co.th

ศูนย์บริการซ่อมและฝึกอบรม บ็อสช
 อาคาร ลาซาลทาวเวอร์ ชั้น G ห้องเลขที่ 2
 บ้านเลขที่ 10/11 หมู่ 16
 ถนนศรีนครินทร์ ตำบลบางแก้ว อำเภอบางพลี
 จังหวัดสมุทรปราการ 10540
 ประเทศไทย
 โทรศัพท์ 02 7587555
 โทรสาร 02 7587525

การขนส่ง

แบตเตอรี่ลิเธียม ไอออน ที่บรรจุอยู่ภายใน
 ได้ข้อกำหนดแห่งกฎหมายสินค้าอันตราย ผู้
 ใช้สามารถขนส่งแบตเตอรี่แพ็คโดย
 ทางถนนโดยไม่มีข้อบังคับอื่นหากขนส่งโดยบุคคลที่สาม

(เช่น : การขนส่งทางอากาศ หรือตัวแทนขนส่งสินค้า)
 ต้องปฏิบัติตามข้อกำหนดพิเศษเกี่ยวกับการบรรจุ
 ภัณฑ์และการติดฉลาก สำหรับการเตรียมสิ่งของที่จะจัดส่ง
 จำเป็นต้องปรึกษาผู้เชี่ยวชาญด้านวัตถุอันตราย
 ส่งแบตเตอรี่แพ็คเมื่อตัวหุ้มไม่ชำรุดเสียหายเท่านั้น ไขแฉก
 กาวพันปิดหน้าสัมผัสที่เปิดอยู่ และนำแบตเตอรี่แพ็ค
 ใส่กล่องบรรจุโดยไม่ให้เคลื่อนไปมาในกล่องได้ นอกจากนี้
 นี้กรุณาปฏิบัติตามกฎระเบียบของประเทศซึ่งอาจมีรายละเอียดเพิ่มเติม

การกำจัดขยะ



เครื่องมือไฟฟ้า แบตเตอรี่แพ็ค อุปกรณ์ประกอบ
 และที่บัพ ต้องนำ

ไปแยกประเภทวัสดุเพื่อนำกลับมาใช้
 ใหม่โดยไม่ทำลายสภาพแวดล้อม



อย่าทิ้งเครื่องมือไฟฟ้าและแบตเตอรี่แพ็ค/
 แบตเตอรี่ที่นำกลับมาชาร์จใหม่ได้ ลงในขยะ
 บ้าน!

แบตเตอรี่แพ็ค/แบตเตอรี่:

ลิเธียม ไอออน:

กรุณาปฏิบัติตามคำแนะนำในใบการขนส่ง (ดู "การขนส่ง",
 หน้า 62)

Bahasa Indonesia

Petunjuk Keselamatan

Petunjuk keselamatan umum untuk perkakas listrik

PERINGATAN Baca semua peringatan, petunjuk, ilustrasi, dan spesifikasi

keselamatan yang diberikan bersama perkakas listrik ini. Kesalahan dalam menjalankan petunjuk di bawah ini dapat mengakibatkan sengatan listrik, kebakaran, dan/atau cedera serius.

Simpanlah semua peringatan dan petunjuk untuk penggunaan di masa mendatang.

Istilah "perkakas listrik" dalam peringatan mengacu pada perkakas listrik yang dioperasikan dengan listrik (menggunakan kabel) atau perkakas listrik yang dioperasikan dengan baterai (tanpa kabel).

Keamanan tempat kerja

- ▶ **Jaga kebersihan dan pencahayaan area kerja.** Area yang berantakan atau gelap dapat memicu kecelakaan.
- ▶ **Jangan mengoperasikan perkakas listrik di lingkungan yang dapat memicu ledakan, seperti**

adanya cairan, gas, atau debu yang mudah terbakar.

Perkakas listrik dapat memancarkan bunga api yang kemudian mengakibatkan debu atau uap terbakar.

- ▶ **Jauhkan dari jangkauan anak-anak dan pengamat saat mengoperasikan perkakas listrik.** Gangguan dapat menyebabkan hilangnya kendali.

Keamanan listrik

- ▶ **Steker perkakas listrik harus sesuai dengan stopkontak. Jangan pernah memodifikasi steker. Jangan menggunakan steker adaptor bersama dengan perkakas listrik yang terhubung dengan sistem grounding.** Steker yang tidak dimodifikasi dan stopkontak yang cocok akan mengurangi risiko sengatan listrik.
- ▶ **Hindari kontak badan dengan permukaan yang terhubung dengan sistem grounding, seperti pipa, radiator, kompor, dan lemari es.** Terdapat peningkatan risiko terjadinya sengatan listrik jika badan Anda terhubung dengan sistem grounding.
- ▶ **Perkakas listrik tidak boleh terpapar hujan atau basah.** Air yang masuk ke dalam perkakas listrik menambah risiko terjadinya sengatan listrik.
- ▶ **Jangan menyalahgunakan kabel. Jangan gunakan kabel untuk membawa, menarik, atau melepas steker perkakas listrik. Jauhkan kabel dari panas, minyak, tepi yang tajam, atau komponen yang bergerak.** Kabel listrik yang rusak atau tersangkut menambah risiko terjadinya sengatan listrik.
- ▶ **Saat mengoperasikan perkakas listrik di luar ruangan, gunakan kabel ekstensi yang sesuai untuk penggunaan di luar ruangan.** Penggunaan kabel yang cocok untuk pemakaian di luar ruangan mengurangi risiko terjadinya sengatan listrik.
- ▶ **Jika perkakas listrik memang harus dioperasikan di tempat yang lembap, gunakan pemutus arus listrik residu (RCD).** Penggunaan RCD akan mengurangi risiko terjadinya sengatan listrik.

Keselamatan personel

- ▶ **Tetap waspada, perhatikan aktivitas yang sedang dikerjakan dan gunakan akal sehat saat mengoperasikan perkakas listrik. Jangan gunakan perkakas listrik saat mengalami kelelahan atau di bawah pengaruh narkoba, alkohol, atau obat-obatan.** Jika perkakas listrik dioperasikan dengan daya konsentrasi yang rendah, hal tersebut dapat menyebabkan cedera serius.
- ▶ **Gunakan peralatan pelindung diri. Selalu kenakan pelindung mata.** Penggunaan perlengkapan pelindung seperti penutup telinga, helm, sepatu anti licin, dan masker debu akan mengurangi cedera.
- ▶ **Hindari start yang tidak disengaja. Pastikan switch berada di posisi off sebelum perkakas listrik dihubungkan ke sumber daya listrik dan/atau baterai, diangkat, atau dibawa.** Membawa perkakas listrik dengan jari menempel pada tombol atau perkakas listrik dalam keadaan hidup dapat memicu kecelakaan.

- ▶ **Singkirkan kunci penyetel atau kunci pas sebelum menghidupkan perkakas listrik.** Perkakas atau kunci pas yang masih menempel pada komponen perkakas listrik yang berputar dapat menyebabkan cedera.
- ▶ **Jangan melampaui batas. Berdirilah secara mantap dan selalu jaga keseimbangan.** Hal ini akan memberikan kontrol yang lebih baik terhadap perkakas listrik pada situasi yang tak terduga.
- ▶ **Kenakan pakaian dengan wajar. Jangan mengenakan perhiasan atau pakaian yang longgar. Jauhkan rambut dan pakaian dari komponen yang bergerak.** Pakaian yang longgar, rambut panjang, atau perhiasan dapat tersangkut dalam komponen yang bergerak.
- ▶ **Jika disediakan perangkat untuk sambungan pengisapan debu dan alat pengumpulan, pastikan perangkat tersebut terhubung dan digunakan dengan benar.** Penggunaan alat pengumpulan dapat mengurangi bahaya yang disebabkan oleh debu.
- ▶ **Jangan berpuas diri dan mengabaikan prinsip keselamatan karena terbiasa mengoperasikan perkakas.** Tindakan yang kurang hati-hati dapat mengakibatkan cedera serius dalam waktu sepersekian detik.

Penggunaan dan pemeliharaan perkakas listrik

- ▶ **Jangan memaksakan perkakas listrik. Gunakan perkakas listrik yang sesuai untuk pekerjaan yang dilakukan.** Perkakas listrik yang sesuai akan bekerja dengan lebih baik dan aman sesuai tujuan penggunaan.
- ▶ **Jangan gunakan perkakas listrik dengan switch yang tidak dapat dioperasikan.** Perkakas listrik yang switchnya yang tidak berfungsi dapat menimbulkan bahaya dan harus diperbaiki.
- ▶ **Lepaskan steker dari sumber listrik dan/atau lepas baterai, jika dapat dilepaskan dari perkakas listrik sebelum menyetel, mengganti aksesoris, atau menyimpan perkakas listrik.** Tindakan preventif akan mengurangi risiko menghidupkan perkakas listrik secara tidak disengaja.
- ▶ **Jauhkan dan simpan perkakas listrik dari jangkauan anak-anak dan jangan biarkan orang-orang yang tidak mengetahui cara menggunakan perkakas listrik, mengoperasikan perkakas listrik.** Perkakas listrik dapat membahayakan jika digunakan oleh orang-orang yang tidak terlatih.
- ▶ **Lakukan pemeliharaan perkakas listrik dan aksesoris. Periksa komponen yang bergerak apabila tidak lurus atau terikat, kerusakan komponen, dan kondisi lain yang dapat mengganggu pengoperasian perkakas listrik. Apabila rusak, perbaiki perkakas listrik sebelum digunakan.** Kecelakaan sering terjadi karena perkakas listrik tidak dirawat dengan baik.
- ▶ **Jaga ketajaman dan kebersihan alat.** Alat pemotong dengan pisau pemotong yang tajam dan dirawat dengan baik tidak akan mudah tersangkut dan lebih mudah dikendalikan.

- ▶ **Gunakan perkakas listrik, aksesoris, dan komponen perkakas dll sesuai dengan petunjuk ini, dengan mempertimbangkan kondisi kerja dan pekerjaan yang akan dilakukan.** Penggunaan perkakas listrik untuk tujuan berbeda dari fungsinya dapat menyebabkan situasi yang berbahaya.
- ▶ **Jaga gagang dan permukaan genggam agar tetap kering, bersih, dan bebas dari minyak dan lemak.** Gagang dan permukaan genggam yang licin tidak menjamin keamanan kerja dan kontrol alat yang baik pada situasi yang tidak terduga.

Penggunaan dan pemeliharaan perkakas baterai

- ▶ **Isi ulang daya hanya dengan pengisi daya yang ditentukan oleh produsen.** Pengisi daya yang sesuai untuk satu jenis set baterai dapat menyebabkan risiko kebakaran apabila digunakan dengan set baterai lain.
- ▶ **Hanya gunakan perkakas listrik dengan set baterai yang dirancang khusus.** Penggunaan set baterai lain dapat menyebabkan risiko cedera dan kebakaran.
- ▶ **Apabila set baterai tidak digunakan, jauhkan dari benda logam lainnya, seperti klip kertas, koin, kunci, paku, sekrup, atau benda logam kecil lainnya yang dapat membuat sambungan dari satu terminal ke terminal lainnya.** Memendekkan terminal baterai dapat menyebabkan kebakaran atau api.
- ▶ **Cairan dapat keluar dari baterai jika baterai tidak digunakan dengan benar; hindari kontak. Jika terjadi kontak secara tidak disengaja, bilas dengan air. Jika cairan mengenai mata, segera hubungi bantuan medis.** Cairan yang keluar dari baterai dapat menyebabkan iritasi atau luka bakar.
- ▶ **Jangan gunakan set baterai atau perkakas yang rusak atau telah dimodifikasi.** Baterai yang rusak atau telah dimodifikasi dapat menimbulkan kejadian yang tak terduga seperti kebakaran, ledakan, atau risiko cedera.
- ▶ **Jangan meletakkan set baterai atau perkakas di dekat api atau suhu tinggi.** Paparan terhadap api atau suhu di atas 130 °C dapat memicu ledakan.
- ▶ **Ikuti semua petunjuk pengisian daya dan jangan mengisi daya set baterai atau perkakas di luar rentang suhu yang ditentukan dalam petunjuk.** Pengisian daya yang tidak tepat atau di luar rentang suhu yang ditentukan dapat merusak baterai dan meningkatkan risiko kebakaran.

Servis

- ▶ **Minta teknisi berkualifikasi untuk menyervis perkakas listrik dengan hanya menggunakan suku cadang yang identik.** Dengan demikian, hal ini akan memastikan keamanan perkakas listrik.
- ▶ **Jangan pernah melakukan servis pada baterai yang telah rusak.** Servis baterai hanya boleh dilakukan oleh produsen atau penyedia servis resmi.

Petunjuk Keselamatan untuk Mesin Bor dan Obeng

Petunjuk keselamatan untuk semua pengoperasian

- ▶ **Kenakan pemalut telinga ketika bekerja.** Suara bising alat dapat menyebabkan berkurangnya pendengaran.
- ▶ **Pegang perkakas listrik pada permukaan gagang berisolator saat mengoperasikannya, aksesoris pemotong atau pengunci dapat bersentuhan dengan kabel yang tidak terlihat.** Aksesoris pemotong atau pengunci yang bersentuhan dengan kabel yang dialiri listrik dapat menyebabkan bagian logam perkakas listrik yang terbuka dialiri listrik sehingga pengguna dapat tersengat listrik.

Petunjuk keselamatan saat menggunakan mata bor panjang

- ▶ **Jangan pernah mengoperasikan alat dengan kecepatan yang lebih tinggi dari nilai kecepatan maksimal mata bor.** Pada kecepatan yang tinggi, mata bor akan membengkok jika berputar secara bebas tanpa menyentuh benda kerja dan dapat menyebabkan cedera terhadap pengguna.
- ▶ **Selalu hidupkan alat bor pada kecepatan rendah dengan ujung mata bor menyentuh benda kerja.** Pada kecepatan yang tinggi, mata bor akan membengkok jika berputar secara bebas tanpa menyentuh benda kerja dan dapat menyebabkan cedera terhadap pengguna.
- ▶ **Tekan hanya pada garis langsung dengan mata bor dan jangan tekan secara berlebihan.** Mata bor dapat membengkok dan menyebabkan kerusakan atau hilang kendali sehingga menyebabkan cedera terhadap pengguna.

Petunjuk Keselamatan tambahan

- ▶ **Pegang perkakas listrik dengan kencang.** Saat mengencangkan dan mengendurkan obeng dapat terjadi reaksi torsi yang tinggi sesaat.
- ▶ **Gunakan alat kerja dengan aman.** Benda yang ditahan dalam alat pemegang atau bais lebih aman daripada benda yang dipegang dengan tangan.
- ▶ **Gunakanlah alat detektor logam yang cocok untuk mencari kabel dan pipa yang tidak terlihat atau hubungi perusahaan pengadaan setempat.** Sentuhan dengan kabel-kabel listrik dapat mengakibatkan api dan kontak listrik. Pipa gas yang rusak dapat mengakibatkan ledakan. Pipa air yang rusak mengakibatkan barang-barang menjadi rusak.
- ▶ **Sebelum meletakkan perkakas listrik, tunggulah hingga perkakas berhenti berputar.** Alat kerja dapat tersangkut dan menyebabkan perkakas listrik tidak dapat dikendalikan.
- ▶ **Asap dapat keluar apabila terjadi kerusakan atau penggunaan yang tidak tepat pada baterai. Baterai dapat terbakar atau meledak.** Biarkan udara segar mengalir masuk dan kunjungi dokter apabila mengalami gangguan kesehatan. Asap tersebut dapat mengganggu saluran pernafasan.

- ▶ **Jangan membuka baterai.** Ada bahaya terjadinya korsleting.
- ▶ **Baterai dapat rusak akibat benda-benda lancip, seperti jarum, obeng, atau tekanan keras dari luar.** Hal ini dapat menyebabkan terjadinya hubungan singkat internal dan baterai dapat terbakar, berasap, meledak, atau mengalami panas berlebih.
- ▶ **Hanya gunakan baterai pada produk yang dibuat oleh produsen.** Hanya dengan cara ini, baterai dapat terlindung dari kelebihan muatan.



Lindungi baterai dari panas, misalnya juga dari paparan sinar matahari dalam waktu yang lama, api, kotoran, air dan kelembapan. Terdapat risiko ledakan dan korsleting.



- ▶ **Se segera matikan perkakas listrik jika alat tambahan terkunci. Bersiaplah dengan reaksi tinggi yang menyebabkan sentakan.** Alat tambahan akan terkunci jika perkakas listrik mengalami kelebihan beban atau perkakas bergerak miring pada benda kerja.

Spesifikasi produk dan performa



Bacalah semua petunjuk keselamatan dan petunjuk penggunaan. Kesalahan dalam menjalankan petunjuk keselamatan dan petunjuk penggunaan dapat mengakibatkan kontak listrik, kebakaran, dan/atau luka-luka

yang berat.

Perhatikan ilustrasi yang terdapat pada sisi sampul panduan pengoperasian.

Tujuan penggunaan

Perkakas listrik cocok untuk mengencangkan dan melepaskan baut serta untuk pengeboran pada kayu, logam,

keramik dan bahan sintetis. Selain itu, GSB cocok untuk pengeboran impact pada batu bata, tembok dan batu.

Ilustrasi komponen

Nomor-nomor dari bagian-bagian perkakas pada gambar sesuai dengan gambar perkakas listrik pada halaman bergambar.

- (1) Dudukan alat kerja
- (2) Keyless chuck
- (3) Selongsong pengunci (**GSR 12V-35 HX**)
- (4) Ring untuk penyetelan awal torsi
- (5) Ring untuk penyetelan awal mode pengoperasian (GSB)
- (6) Switch pemilih tingkat putaran
- (7) Switch arah putaran
- (8) Tombol pelepas baterai^{A)}
- (9) Baterai^{A)}
- (10) Tombol on/off
- (11) Indikator level pengisian daya baterai
- (12) Lampu "PowerLight"
- (13) Gagang (permukaan genggam berisolator)
- (14) Mata obeng^{A)}
- (15) Dudukan bit universal^{A)}
- (16) Klip tempat menggantungkan^{A)}
- (17) Holder mata bor^{A)}
- (18) Klip warna^{A)}

A) **Aksesori yang ada pada gambar atau yang dijelaskan tidak termasuk dalam lingkup pengiriman standar. Semua aksesori yang ada dapat Anda lihat dalam program aksesori kami.**

Data teknis

Obeng listrik berdaya baterai		GSR 12V-35	GSR 12V-35	GSR 12V-35 HX
Nomor seri		3 601 JJ9 0..	3 601 JH8 0..	3 601 JJ9 1..
Tegangan nominal	V=	12	12	12
Kecepatan idle ^{A)}				
- Tingkat putaran pertama	min ⁻¹	0-460	0-460	0-460
- Tingkat putaran kedua	min ⁻¹	0-1 750	0-1 750	0-1 750
Tingkat getaran ^{A)}	min ⁻¹	26/250	-	-
Torsi maks. penyekrupan ketat/lunak menurut ISO 5393 ^{A)}	Nm	35/20	35/20	35/20
Ø (diameter) pengeboran maks. (tingkat putaran pertama/kedua)				
- Pengerjaan pada batu bata	mm	10	-	-
- Baja	mm	10	10	10
- Kayu	mm	32	32	32
Rentang penjepitan chuck bor	mm	0,8-10	0,8-10	-
Dudukan alat kerja	mm	-	-	6,35 ¼"

Obeng listrik berdaya baterai		GSB 12V-35	GSR 12V-35	GSR 12V-35 HX
Ø (diameter) sekrup maks.	mm	8	8	8
Berat sesuai dengan EPTA-Procedure 01:2014 ^{A)}	kg	1,0–1,2	0,93–1,2	0,75–1,0
Suhu sekitar yang direkomendasikan saat pengisian daya	°C	0 ... +35	0 ... +35	0 ... +35
Suhu sekitar yang diizinkan saat pengoperasian ^{B)} dan saat disimpan	°C	-20 ... +50	-20 ... +50	-20 ... +50
Baterai yang direkomendasikan		GBA 12V...	GBA 12V...	GBA 12V...
Perangkat pengisian daya yang direkomendasikan		GAL 12... GAX 18...	GAL 12... GAX 18...	GAL 12... GAX 18...

A) tergantung pada baterai yang digunakan

B) daya terbatas pada suhu <0 °C

Cara memasang

- ▶ **Sebelum melakukan semua pekerjaan pada perkakas listrik (misalnya merawat, mengganti alat kerja, dsb.) serta selama transpor dan penyimpanan, keluarkanlah baterai dari perkakas listrik.** Terdapat risiko cedera apabila tombol untuk menghidupkan dan mematikan dioperasikan tanpa sengaja.

Mengisi daya baterai

- ▶ **Hanya gunakan pengisi daya yang tercantum pada data teknis.** Hanya pengisi daya ini yang sesuai dengan baterai Li-ion yang digunakan pada perkakas listrik Anda.

Catatan: Baterai dikirim dalam keadaan terisi sebagian. Untuk memastikan kinerja penuh baterai, isi penuh daya baterai ke pengisi daya sebelum menggunakannya untuk pertama kali.

Daya baterai li-ion dapat diisi setiap saat tanpa mengurangi masa pakainya. Penghentian proses pengisian daya tidak merusak baterai.

Baterai li-ion terlindung dari pengosongan daya total dengan "Electronic Cell Protection (ECP)". Jika baterai habis, perkakas listrik dimatikan oleh pengaman: Alat sisipan berhenti beroperasi.

- ▶ **Jangan menekan kembali tombol on/off jika perkakas listrik mati secara otomatis.** Baterai dapat rusak.

Perhatikan petunjuk untuk membuang.

Melepas baterai (lihat gambar A)

Untuk melepas baterai (9), tekan kedua tombol pelepas baterai (8) dan tarik baterai dari perkakas listrik ke bawah.

Jangan melepas baterai dengan paksa.

Mengganti alat

- ▶ **Sebelum melakukan semua pekerjaan pada perkakas listrik (misalnya merawat, mengganti alat kerja, dsb.) serta selama transpor dan penyimpanan, keluarkanlah baterai dari perkakas listrik.** Terdapat risiko cedera

apabila tombol untuk menghidupkan dan mematikan dioperasikan tanpa sengaja.

Memasang alat sisipan: GSR 12V-35 HX (lihat gambar C)

Tarik selongsong pengunci (3) ke belakang, dorong alat sisipan hingga maksimal pada dudukan alat (1) dan lepaskan kembali selongsong pengunci (3) untuk mengunci alat sisipan.

Pastikan penguncian telah dioptimalkan ke dimensi alat sisipan yang paling umum di masing-masing negara.

Memasang alat sisipan: GSB 12V-35/GSR 12V-35 (lihat gambar B)

Buka keyless chuck (2) dengan diputar sesuai arah panah ❶ hingga alat sisipan dapat dipasang. Pasang alat.

Putar selongsong keyless chuck (2) ke arah putaran ❷ dengan kuat menggunakan tangan. Chuck bor terkunci secara otomatis.

Penguncian terbuka lagi jika selongsong diputar ke arah berlawanan untuk melepas alat.

Melepaskan alat sisipan: GSR 12V-35 HX

Tarik selongsong pengunci (3) ke belakang dan tarik alat sisipan dari dudukan (1).

Ekstraksi debu/serbuk

Debu dari bahan-bahan seperti cat yang mengandung timbel (timah hitam), beberapa jenis kayu, bahan mineral dan logam dapat berbahaya bagi kesehatan. Menyentuh atau menghirup debu-debu ini dapat mengakibatkan reaksi alergi dan/atau penyakit saluran pernapasan pada pengguna atau orang yang berada di dekatnya.

Beberapa debu tertentu seperti debu kayu pohon quercus atau pohon fagus silvatica dianggap dapat mengakibatkan penyakit kanker, terutama dalam campuran dengan bahan-bahan tambahan untuk pengolahan kayu (kromat, obat pengawet kayu). Bahan-bahan yang mengandung asbestos hanya boleh dikerjakan oleh orang-orang yang ahli.

- Perhatikanlah supaya ada pertukaran udara yang baik di tempat kerja.

- Kami anjurkan Anda memakai masker anti debu dengan filter kelas P2.

Taatilah peraturan-peraturan untuk bahan-bahan yang dikerjakan yang berlaku di negara Anda.

- **Hindari debu yang banyak terkumpul di tempat kerja.**
Debu dapat tersulut dengan mudah.

Penggunaan

Cara penggunaan

Memasang baterai

Catatan: Menggunakan baterai yang tidak sesuai untuk perkakas listrik dapat menyebabkan kegagalan fungsi atau kerusakan pada perkakas listrik.

Posisikan switch pengubah arah **(7)** ke tengah untuk mencegah pengaktifan tiba-tiba. Pasang baterai yang sudah terisi **(9)** ke dalam gagang perkakas hingga terkunci dan terpasang rata pada gagang.


Mengatur arah putaran (lihat gambar D)

Arah putaran perkakas listrik dapat diubah dengan switch pengubah arah **(7)**. Hal tersebut tidak dapat dilakukan jika tombol on/off **(10)** ditekan.

Searah jarum jam: Untuk mengebor dan menyekrup, tekan switch arah putaran **(7)** ke kiri hingga maksimal.

Arah putaran ke kiri: Untuk mengendurkan atau melepas sekrup, tekan switch arah putaran **(7)** ke kanan hingga maksimal.

Penyetelan awal torsi

Dengan menggunakan ring untuk penyetelan awal torsi **(4)**, torsi yang diperlukan dapat dipilih terlebih dahulu dalam 20 level. Jika torsi diatur dengan benar, alat sisipan akan berhenti berputar begitu sekrup terpasang rata pada material atau torsi yang disetel tercapai. Pada posisi , kopling pengaman dinonaktifkan misalnya untuk melakukan pengeboran.

Pilih pengaturan yang lebih tinggi dan atur pada simbol  saat melepas sekrup.

Memilih tingkat putaran secara mekanis

- **Tekan switch pemilih tingkat putaran (6) hanya saat perkakas listrik sedang tidak beroperasi.**

Dengan switch pemilih tingkat putaran **(6)** dapat dipilih 2 rentang kecepatan putaran.

Tingkat putaran I:

Rentang kecepatan putaran rendah; untuk menyekrup atau untuk pekerjaan dengan diameter mata bor yang besar.

Tingkat putaran II:

Rentang kecepatan putaran tinggi; untuk pengerjaan dengan diameter mata bor yang kecil.

Mengatur mode pengoperasian



Pengeboran GSR

Atur ring untuk penyetelan awal torsi **(4)** ke simbol "Pengeboran".

GSB

Atur ring untuk penyetelan awal mode pengoperasian **(5)** ke simbol "Pengeboran".



Penyekrupan GSR

Atur ring untuk penyetelan awal torsi **(4)** ke torsi yang diinginkan.

GSB

Atur ring untuk penyetelan awal mode pengoperasian **(5)** ke simbol "Penyekrupan".

Atur ring untuk penyetelan awal torsi **(4)** ke torsi yang diinginkan.



Pengeboran impact (GSB)

Atur ring untuk penyetelan awal mode pengoperasian **(5)** ke simbol "Pengeboran impact".

Menyetel kecepatan putaran/nominal getaran

Kecepatan putaran/nominal getaran pada perkakas listrik yang dihidupkan dapat disetel terus-menerus tergantung seberapa lama tombol on/off **(10)** ditekan.

Jika tombol on/off **(10)** ditekan singkat, kecepatan putaran/nominal getaran akan menjadi rendah. Jika tombol ditekan lama, kecepatan putaran/nominal getaran bertambah pula.

Mengaktifkan/menonaktifkan perkakas listrik

Untuk **menggunakan pertama kali** perkakas listrik, tekan dan tahan tombol on/off **(10)**.

Untuk **menonaktifkan** perkakas listrik, lepaskan tombol on/off **(10)**.

Penguncian spindel otomatis (Auto-Lock)

Spindel bor dan dudukan alat kerja **(1)** akan terkunci apabila tombol on/off **(10)** tidak ditekan.

Hal ini memungkinkan perkakas listrik dapat digunakan untuk menyekrup bahkan saat baterai **(9)** kosong atau penggunaan perkakas listrik sebagai obeng.

Indikator level pengisian baterai

Indikator level baterai **(11)** menunjukkan level pengisian daya baterai saat tombol on/off **(10)** ditekan penuh atau sebagian selama beberapa detik dan terdiri atas 3 LED berwarna hijau.

3 lampu LED pada indikator level pengisian baterai **(11)** dan lampu **(12)** akan berkedip cepat jika suhu baterai di luar rentang suhu pengoperasian dari -20 hingga +50°C.

LED	Kapasitas
Lampu permanen 3 x hijau	≥76 %
Lampu permanen 2 x hijau	51–75 %
Lampu permanen 1 x hijau	26–50 %
Lampu berkedip perlahan 1 x hijau	≤25 %

Perlindungan kelebihan beban yang tergantung suhu

Jika perkakas listrik digunakan sebagaimana mestinya, perkakas listrik tidak akan mengalami kelebihan beban. Elektronik perkakas listrik akan mati jika beban perkakas

listrik terlalu tinggi hingga alat kembali dalam rentang suhu pengoperasian yang optimal.

Kondisi ini ditunjukkan melalui tiga lampu LED yang menyala pada indikator level pengisian baterai (11). Lampu LED akan padam jika perkakas listrik kembali mencapai suhu pengoperasian yang optimal.

Petunjuk pengoperasian

- **Pasang perkakas listrik pada mur/sekrop hanya saat dalam keadaan mati.** Alat sisipan yang berputar dapat tergelincir.

Setelah digunakan dalam waktu yang lama dengan kecepatan rendah, biarkan perkakas listrik beroperasi dengan putaran maksimal pada kecepatan idle sekitar 3 menit agar menjadi dingin.

Hanya gunakan mata bor HSS yang telah diasah (HSS=high performance superspeed steel) untuk melakukan pengeboran logam. Kualitas dijamin oleh program aksesoris **Bosch**.

Sebelum memutar masuk sekrop yang besar dan panjang ke dalam bahan yang keras, buat lubang bor terlebih dulu dengan diameter inti ulir sekitar 2/3 dari panjang sekrop.

Klip tempat menggantungkan (lihat gambar E)

Dengan klip tempat menggantungkan (16), perkakas listrik dapat digantungkan misalnya pada tali pengikat. Dengan demikian Anda tidak perlu memegang perkakas listrik dan perkakas listrik tetap berada di dekat Anda.

Holder mata bor (lihat gambar F)

Mata obeng dapat dimasukkan ke dalam holder mata bor (17) untuk disimpan.

Klip warna (lihat gambar G)

Klip warna (18) hanya dapat digunakan jika klip tempat menggantungkan (16) atau holder mata bor tidak terpasang.

Perawatan dan servis

Perawatan dan pembersihan

- **Sebelum melakukan semua pekerjaan pada perkakas listrik (misalnya merawat, mengganti alat kerja, dsb.) serta selama transpor dan penyimpanan, keluarkanlah baterai dari perkakas listrik.** Terdapat risiko cedera apabila tombol untuk menghidupkan dan mematikan dioperasikan tanpa sengaja.
- **Perkakas listrik dan lubang ventilasi harus selalu dibersihkan agar perkakas dapat digunakan dengan baik dan aman.**

Layanan pelanggan dan konsultasi penggunaan

Layanan pelanggan Bosch menjawab semua pertanyaan Anda tentang reparasi dan perawatan serta tentang suku cadang produk ini. Gambaran teknis (exploded view) dan informasi mengenai suku cadang dapat ditemukan di:

www.bosch-pt.com

Tim konsultasi penggunaan Bosch akan membantu Anda menjawab pertanyaan seputar produk kami beserta aksesorinya.

Jika Anda hendak menanyakan sesuatu atau memesan suku cadang, selalu sebutkan nomor model yang terdiri dari 10 angka dan tercantum pada label tipe produk.

Indonesia

PT Robert Bosch
Palma Tower 10th Floor
Jalan RA Kartini II-S Kaveling 6
Pondok Pinang, Kebayoran Lama
Jakarta Selatan 12310
Tel.: (021) 3005 5800
Fax: (021) 3005 5801
E-Mail: boschpowertools@id.bosch.com
www.bosch-pt.co.id

Transpor

Pada baterai-baterai li-ion yang digunakan diterapkan persyaratan terkait peraturan-peraturan tentang bahan-bahan yang berbahaya. Baterai-baterai dapat diangkat oleh penggunaannya tanpa pembatasan lebih lanjut di jalan.

Pada pengiriman oleh pihak ketiga (misalnya transportasi udara atau perusahaan ekspedisi) harus ditaati syarat-syarat terkait kemasan dan pemberian tanda. Dalam hal ini, diperlukan konsultasi dengan ahli bahan-bahan berbahaya saat mengatur barang pengiriman.

Kirimkan baterai hanya jika housing-nya tidak rusak. Tutup bagian-bagian yang terbuka dan kemas baterai agar tidak bergerak-gerak di dalam kemasan. Taatilah peraturan-peraturan nasional lainnya yang mungkin lebih rinci yang berlaku di negara Anda.

Cara membuang



Perkakas listrik, baterai, aksesoris dan kemasan harus didaur ulang dengan cara yang ramah lingkungan.



Jangan membuang perkakas listrik, aki/baterai ke dalam sampah rumah tangga!

Baterai:

Li-ion:

Perhatikanlah petunjuk-petunjuk dalam bab Transpor (lihat „Transpor“, Halaman 68).

Tiếng Việt

Hướng dẫn an toàn

Hướng dẫn an toàn chung cho dụng cụ điện

⚠ CẢNH BÁO Hãy đọc toàn bộ các cảnh báo an toàn, hướng dẫn, hình ảnh và thông số kỹ thuật được cung cấp cho dụng cụ điện cầm tay này. Không tuân thủ mọi hướng dẫn được liệt kê dưới đây có thể bị điện giật, gây cháy và /hay bị thương tật nghiêm trọng. **Hãy giữ tất cả tài liệu về cảnh báo và hướng dẫn để tham khảo về sau.**

Thuật ngữ "dụng cụ điện cầm tay" trong phần cảnh báo là để cập đến sự sử dụng dụng cụ điện cầm tay của bạn, loại sử dụng điện nguồn (có dây cắm điện) hay vận hành bằng pin (không dây cắm điện).

Khu vực làm việc an toàn

- ▶ **Giữ nơi làm việc sạch và đủ ánh sáng.** Nơi làm việc bừa bộn và tối tăm dễ gây ra tai nạn.
- ▶ **Không vận hành dụng cụ điện cầm tay trong môi trường dễ gây nổ, chẳng hạn như nơi có chất lỏng dễ cháy, khí đốt hay rác.** Dụng cụ điện cầm tay tạo ra các tia lửa nên có thể làm rác bén cháy hay bốc khói.
- ▶ **Không để trẻ em hay người đến xem đứng gần khi vận hành dụng cụ điện cầm tay.** Sự phân tâm có thể gây ra sự mất điều khiển.

An toàn về điện

- ▶ **Phích cắm của dụng cụ điện cầm tay phải thích hợp với ổ cắm.** Không bao giờ được cải biến lại phích cắm dưới mọi hình thức. Không được sử dụng phích tiếp hợp nối tiếp đất (dây mát). Phích cắm nguyên bản và ổ cắm đúng loại sẽ làm giảm nguy cơ bị điện giật.
- ▶ **Tránh không để thân thể tiếp xúc với đất hay các vật có bề mặt tiếp đất như đường ống, lò sưởi, hàng rào và tủ lạnh.** Có nhiều nguy cơ bị điện giật hơn nếu cơ thể bạn bị tiếp hay nối đất.
- ▶ **Không được để dụng cụ điện cầm tay ngoài mưa hay ở tình trạng ẩm ướt.** Nước vào máy sẽ làm tăng nguy cơ bị điện giật.
- ▶ **Không được lạm dụng dây dẫn điện.** Không bao giờ được nắm dây dẫn để xách, kéo hay rút phích cắm dụng cụ điện cầm tay. Không để dây gần nơi có nhiệt độ cao, dầu nhớt, vật nhọn bén và bộ phận chuyển động. Làm hỏng hay cuộn rối dây dẫn làm tăng nguy cơ bị điện giật.
- ▶ **Khi sử dụng dụng cụ điện cầm tay ngoài trời, dùng dây nối thích hợp cho việc sử dụng ngoài trời.** Sử dụng dây nối thích hợp cho việc sử dụng ngoài trời làm giảm nguy cơ bị điện giật.

- ▶ **Nếu việc sử dụng dụng cụ điện cầm tay ở nơi ẩm ướt là không thể tránh được, dùng thiết bị ngắt mạch tự động (RCD) bảo vệ nguồn.** Sử dụng thiết bị ngắt mạch tự động RCD làm giảm nguy cơ bị điện giật.

An toàn cá nhân

- ▶ **Hãy tỉnh táo, biết rõ mình đang làm gì và hãy sử dụng ý thức khi vận hành dụng cụ điện cầm tay.** Không sử dụng dụng cụ điện cầm tay khi đang mệt mỏi hay đang bị tác động do chất gây nghiện, rượu hay được phẫn gây ra. Một thoáng mất tập trung khi đang vận hành dụng cụ điện cầm tay có thể gây thương tích nghiêm trọng cho bản thân.
 - ▶ **Sử dụng trang bị bảo hộ cá nhân. Luôn luôn đeo kính bảo vệ mắt.** Trang bị bảo hộ như khẩu trang, giày chống trượt, nón bảo hộ, hay dụng cụ bảo vệ tai khi được sử dụng đúng nơi đúng chỗ sẽ làm giảm nguy cơ thương tật cho bản thân.
 - ▶ **Phòng tránh máy khởi động bất ngờ.** Bảo đảm công tắc máy ở vị trí tắt trước khi cắm vào nguồn điện và/hay lắp pin vào, khi nhắc máy lên hay khi mang xách máy. Ngáng ngón tay vào công tắc máy để xách hay kích hoạt dụng cụ điện cầm tay khi công tắc ở vị trí mở dễ dẫn đến tai nạn.
 - ▶ **Lấy mọi chìa hay khóa điều chỉnh ra trước khi mở điện dụng cụ điện cầm tay.** Khóa hay chìa còn gắn dính vào bộ phận quay của dụng cụ điện cầm tay có thể gây thương tích cho bản thân.
 - ▶ **Không rướn người.** Luôn luôn giữ tư thế đứng thích hợp và thẳng bằng. Điều này tạo cho việc điều khiển dụng cụ điện cầm tay tốt hơn trong mọi tình huống bất ngờ.
 - ▶ **Trang phục thích hợp.** Không mặc quần áo rộng lủng thùng hay mang trang sức. Giữ tóc và quần áo xa khỏi các bộ phận chuyển động. Quần áo rộng lủng thùng, đồ trang sức hay tóc dài có thể bị cuốn vào các bộ phận chuyển động.
 - ▶ **Nếu có các thiết bị đi kèm để nối máy hút bụi và các phụ kiện khác, bảo đảm các thiết bị này được nối và sử dụng tốt.** Việc sử dụng các thiết bị gom hút bụi có thể làm giảm các độc hại liên quan đến bụi gây ra.
 - ▶ **Không để thói quen do sử dụng thường xuyên dụng cụ khiến bạn trở nên chủ quan và bỏ qua các quy định an toàn dụng cụ.** Một hành vi bất cẩn có thể gây ra thương tích nghiêm trọng chỉ trong tích tắc.
- Sử dụng và bảo dưỡng dụng cụ điện cầm tay**
- ▶ **Không được ép máy.** Sử dụng dụng cụ điện cầm tay đúng loại theo đúng ứng dụng của bạn. Dụng cụ điện cầm tay đúng chức năng sẽ

làm việc tốt và an toàn hơn theo đúng tiến độ mà máy được thiết kế.

- ▶ **Không sử dụng dụng cụ điện cầm tay nếu như công tắc không tắt và mở được.** Bất kỳ dụng cụ điện cầm tay nào mà không thể điều khiển được bằng công tắc là nguy hiểm và phải được sửa chữa.
- ▶ **Rút phích cắm ra khỏi nguồn điện và/hay pin ra khỏi dụng cụ điện cầm tay nếu có thể tháo được, trước khi tiến hành bất kỳ điều chỉnh nào, thay phụ kiện, hay cất dụng cụ điện cầm tay.** Các biện pháp ngăn ngừa như vậy làm giảm nguy cơ dụng cụ điện cầm tay khởi động bất ngờ.
- ▶ **Cất giữ dụng cụ điện cầm tay không dùng tới nơi trẻ em không lấy được và không cho người chưa từng biết dụng cụ điện cầm tay hay các hướng dẫn này sử dụng dụng cụ điện cầm tay.** Dụng cụ điện cầm tay nguy hiểm khi ở trong tay người chưa được chỉ cách sử dụng.
- ▶ **Bảo quản dụng cụ điện cầm tay và các phụ kiện.** Kiểm tra xem các bộ phận chuyển động có bị sai lệch hay kẹt, các bộ phận bị rạn nứt và các tình trạng khác có thể ảnh hưởng đến sự vận hành của máy. Nếu bị hư hỏng, phải sửa chữa máy trước khi sử dụng. Nhiều tai nạn xảy ra do bảo quản dụng cụ điện cầm tay tồi.
- ▶ **Giữ các dụng cụ cất bện và sạch.** Bảo quản đúng cách các dụng cụ cất có cạnh cắt bên làm giảm khả năng bị kẹt và dễ điều khiển hơn.
- ▶ **Sử dụng dụng cụ điện cầm tay, phụ kiện, đầu cài v. v., đúng theo các chỉ dẫn này, hãy lưu ý đến điều kiện làm việc và công việc phải thực hiện.** Sự sử dụng dụng cụ điện cầm tay khác với mục đích thiết kế có thể tạo nên tình huống nguy hiểm.
- ▶ **Giữ tay cầm và bề mặt nắm luôn khô ráo, sạch sẽ và không dính dầu mỡ.** Tay cầm và bề mặt nắm trơn trượt không đem lại thao tác an toàn và kiểm soát dụng cụ trong các tình huống bất ngờ.

Sử dụng và bảo quản dụng cụ dùng pin

- ▶ **Chỉ được sạc pin lại với bộ nạp điện do nhà sản xuất chỉ định.** Bộ nạp điện thích hợp cho một loại pin có thể gây nguy cơ cháy khi sử dụng cho một loại pin khác.
- ▶ **Chỉ sử dụng dụng cụ điện cầm tay với loại pin được thiết kế đặc biệt dành riêng cho máy.** Sử dụng bất cứ loại pin khác có thể dẫn đến thương tật hay cháy.
- ▶ **Khi không sử dụng pin, để cách xa các vật bằng kim loại như kẹp giấy, tiền xu, chìa khoá, đinh, ốc vít hay các đồ vật kim loại nhỏ khác, thứ có thể tạo sự nối tiếp từ một đầu**

cực với một đầu cực khác. Sự chập mạch của các đầu cực với nhau có thể gây bỏng hay cháy.

- ▶ **Bảo quản ở tình trạng tối, dung dịch từ pin có thể tứa ra; tránh tiếp xúc.** Nếu vô tình chạm phải, hãy xối nước để rửa. Nếu dung dịch vào mắt, cần thêm sự hỗ trợ của y tế. Dung dịch tiết ra từ pin có thể gây ngứa hay bỏng.
- ▶ **Không được sử dụng bộ pin hoặc dụng cụ đã bị hư hại hoặc bị thay đổi.** Pin hỏng hoặc bị thay đổi có thể gây ra những tác động không lường trước được như cháy nổ hoặc nguy cơ thương tích.
- ▶ **Không đặt bộ pin hoặc dụng cụ ở gần lửa hoặc nơi quá nhiệt.** Tiếp xúc với lửa hoặc nhiệt độ cao trên 130°C có thể gây nổ.
- ▶ **Tuân thủ tất cả các hướng dẫn nạp và không nạp bộ pin hay dụng cụ ở bên ngoài phạm vi nhiệt độ đã được quy định trong các hướng dẫn.** Nạp không đúng cách hoặc ở nhiệt độ ngoài phạm vi nạp đã quy định có thể làm hư hại pin và gia tăng nguy cơ cháy.

Bảo dưỡng

- ▶ **Đưa dụng cụ điện cầm tay của bạn đến thợ chuyên môn để bảo dưỡng, chỉ sử dụng phụ tùng đúng chủng loại để thay.** Điều này sẽ đảm bảo sự an toàn của máy được giữ nguyên.
- ▶ **Không bao giờ sửa chữa các bộ pin đã hư hại.** Chỉ cho phép nhà sản xuất hoặc các nhà cung cấp dịch vụ có ủy quyền thực hiện dịch vụ sửa chữa cho các bộ pin.

Cảnh Báo An Toàn cho Máy Khoan và Bất Vít

Hướng dẫn an toàn cho mọi hoạt động

- ▶ **Đeo bảo vệ tai khi khoan động lực.** Tiếp xúc với tiếng ồn có thể làm mất khả năng nghe.
- ▶ **Chỉ cầm dụng cụ điện tại các bề mặt cầm nắm có cách điện, khi thực hiện một thao tác tại vị trí mà phụ kiện cắt hoặc dụng cụ kẹp có thể tiếp xúc với dây điện ngầm.** Phụ kiện cắt hoặc dụng cụ kẹp tiếp xúc với dây "có điện" có thể làm cho các phần kim loại hở của dụng cụ điện cầm tay "có điện" và có thể gây ra điện giật cho người vận hành.

Hướng dẫn an toàn khi sử dụng các mũi khoan dài

- ▶ **Không vận hành ở tốc độ cao hơn tốc độ tối đa cho phép của mũi khoan.** Ở tốc độ cao hơn, mũi khoan có thể bị cong nếu cho phép xoay tự do mà không cho tiếp xúc với phôi gia công, dẫn đến thương tật cho người.
- ▶ **Luôn khởi động khoan ở tốc độ thấp và với đầu mũi khoan tiếp xúc với phôi gia công.** Ở tốc độ cao hơn, mũi khoan có thể bị cong nếu cho phép xoay tự do mà không cho tiếp xúc với phôi gia công, dẫn đến thương tật cho người.

- **Chỉ dùng áp lực vào đường trực tiếp bằng mũi khoan và không dùng áp lực dư.** Các mũi khoan có thể cong, gãy ngắn hoặc mất kiểm soát, dẫn đến thương tích cho người.

Các cảnh báo phụ thêm

- **Giữ chặt dụng cụ điện.** Khi siết chặt và nối lỏng các vít, những mô-men phản ứng cao có thể xuất hiện trong thời gian ngắn.
- **Kẹp chặt vật gia công.** Vật gia công được kẹp bằng một thiết bị kẹp hay bằng ê-tô thì vững chắc hơn giữ bằng tay.
- **Dùng thiết bị dò tìm thích hợp để xác định nếu có các công trình công cộng lắp đặt ngầm trong khu vực làm việc hay liên hệ với Cty công trình công cộng địa phương để nhờ hỗ trợ.** Dụng cụ chạm đường dẫn điện có thể gây ra hỏa hoạn và điện giật. Làm hư hại đường dẫn khí ga có thể gây nổ. Làm thủng ống dẫn nước có thể làm hư hại tài sản hay có thể gây ra điện giật.
- **Luôn luôn đợi cho máy hoàn toàn ngừng hẳn trước khi đặt xuống.** Dụng cụ lắp vào máy có thể bị kẹp chặt dẫn đến việc dụng cụ điện cầm tay bị mất điều khiển.
- **Trong trường hợp pin bị hỏng hay sử dụng sai cách, hơi nước có thể bốc ra. Pin có thể cháy hoặc nổ.** Hãy làm cho thông thoáng khí và trong trường hợp bị đau phải nhờ y tế chữa trị. Hơi nước có thể gây ngứa hệ hô hấp.
- **Không được tháo pin ra.** Nguy cơ bị chập mạch.
- **Pin có thể bị hư hại bởi các vật dụng nhọn như đinh hay tuốc-nơ-vít hoặc bởi các tác động lực từ bên ngoài.** Nó có thể dẫn tới đoản mạch nội bộ và làm pin bị cháy, bốc khói, phát nổ hoặc quá nóng.
- **Chỉ sử dụng pin trong các sản phẩm của nhà sản xuất.** Chỉ bằng cách này, pin sẽ được bảo vệ tránh nguy cơ quá tải.



Bảo vệ pin không để bị làm nóng, ví dụ, chống để lâu dài dưới ánh nắng gay gắt, lửa, chất bẩn, nước, và sự ẩm ướt. Có nguy cơ nổ và chập mạch.



- **Tắt dụng cụ điện ngay nếu phụ tùng bị chặn.** Hãy chuẩn bị cho những mô-men phản ứng cao, mà gây ra sự dội ngược. Phụ tùng bị chặn, nếu dụng cụ điện bị quá tải hoặc bị kẹt trong phôi gia công cần gia công.

Thông số kỹ thuật

Máy bắt vít pin		GSB 12V-35	GSB 12V-35	GSB 12V-35 HX
Mã số máy		3 601 JJ9 0..	3 601 JH8 0..	3 601 JJ9 1..
Điện thế danh định	V=	12	12	12
Tốc độ không tải ^{A)}				
– Số 1	min ⁻¹	0–460	0–460	0–460

Mô Tả Sản Phẩm và Đặc Tính Kỹ Thuật



Đọc kỹ mọi cảnh báo an toàn và mọi hướng dẫn. Không tuân thủ mọi cảnh báo và hướng dẫn được liệt kê dưới đây có thể bị điện giật, gây cháy và / hay bị thương tật nghiêm trọng.

Xin lưu ý các hình minh họa trong phần trước của hướng dẫn vận hành.

Sử dụng đúng cách

Máy được cung cấp dành cho mục đích vận vào và tháo các vít và ốc khoan trên các chất liệu gỗ, kim loại, gốm và nhựa. Ngoài ra, GSB còn phù hợp với khoan xung động ngói, công trình xây gạch và đá.

Các bộ phận được minh họa

Sự đánh số các biểu trưng của sản phẩm là để tham khảo hình minh họa của máy trên trang hình ảnh.

- (1) Phần lắp dụng cụ
- (2) Đầu cặp mũi khoan không chìa
- (3) Vòng khóa (**GSB 12V-35 HX**)
- (4) Vòng điều chỉnh chọn trước mô-men xoắn
- (5) Vòng điều chỉnh chọn trước chế độ vận hành (GSB)
- (6) Công tắc chọn số
- (7) Gạc vận chuyển đổi chiều quay
- (8) Nút tháo pin^{A)}
- (9) Pin^{A)}
- (10) Công tắc bật/tắt
- (11) Đèn báo trạng thái nạp pin
- (12) Đèn „PowerLight“
- (13) Tay nắm (bề mặt nắm cách điện)
- (14) Đầu chia vận vít^{A)}
- (15) Ống cặp mũi khoan vạn năng^{A)}
- (16) Móc cài dây thắt lưng^{A)}
- (17) Ống cặp mũi khoan^{A)}
- (18) Kẹp màu^{A)}

A) Phụ tùng được trình bày hay mô tả không phải là một phần của tiêu chuẩn hàng hóa được giao kèm theo sản phẩm. Bạn có thể tham khảo tổng thể các loại phụ tùng, phụ kiện trong chương trình phụ tùng của chúng tôi.

Máy bắt vít pin		GSB 12V-35	GSR 12V-35	GSR 12V-35 HX
– Số 2	min ⁻¹	0–1750	0–1750	0–1750
Tần suất đập ^{A)}	min ⁻¹	26250	–	–
lực xoắn tối đa, ứng dụng cho việc bắt vít vào vật mềm/cứng dựa theo tiêu chuẩn ISO 5393 ^{A)}	Nm	35/20	35/20	35/20
Ø lỗ khoan tối đa (1./2. vòng truyền lực)				
– Công trình xây gạch	mm	10	–	–
– Thép	mm	10	10	10
– Gỗ	mm	32	32	32
Phạm vi mâm cặp kẹp được	mm	0,8–10	0,8–10	–
Phần lắp dụng cụ	mm	–	–	6,35 ¼"
Ø vít máy tối đa	mm	8	8	8
Trọng lượng theo EPTA-Procedure 01:2014 ^{A)}	kg	1,0–1,2	0,93–1,2	0,75–1,0
Nhiệt độ môi trường được khuyến nghị khi sạc	°C	0 ... +35	0 ... +35	0 ... +35
Nhiệt độ môi trường cho phép trong quá trình vận hành ^{B)} và trong quá trình lưu trữ	°C	–20 ... +50	–20 ... +50	–20 ... +50
Pin được khuyến dùng		GBA 12V...	GBA 12V...	GBA 12V...
Thiết bị nạp được giới thiệu		GAL 12... GAX 18...	GAL 12... GAX 18...	GAL 12... GAX 18...

A) tùy vào loại pin lốc đang sử dụng

B) hiệu suất giới hạn ở nhiệt độ <0 °C

Sự lắp vào

- ▶ **Trước khi tiến hành bất cứ công việc gì với máy (ví dụ bảo dưỡng, thay dụng cụ v.v..) cũng như khi vận chuyển hay lưu kho, tháo pin ra khỏi dụng cụ điện.** Có nguy cơ gây thương tích khi vô tình làm kích hoạt công tắc Tắt/Mở.

Tháo Pin

- ▶ **Chỉ sử dụng bộ sạc được đề cập trong dữ liệu kỹ thuật.** Chỉ những bộ sạc này phù hợp cho dụng cụ điện cầm tay của bạn có sử dụng pin Li-Ion.

Hướng dẫn: Pin đã được sạc một phần. Để bảo đảm đầy đủ điện dung, nạp điện hoàn toàn lại cho pin trong bộ nạp điện pin trước khi sử dụng cho lần đầu tiên.

Pin Li-Ion hợp khối có thể nạp điện bất cứ lúc nào mà không làm giảm tuổi thọ của pin. Sự gián đoạn trong quá trình nạp điện không làm hư hại pin hợp khối.

Pin Li-Ion được bảo vệ ngăn sự phóng điện quá lớn nhờ vào "Electronic Cell Protection (ECP)". Nếu pin

bị phóng điện, dụng cụ điện cầm tay sẽ được ngắt bởi một mạch bảo vệ: Dụng cụ điện không chuyển động nữa.

- ▶ **Có nguy cơ gây thương tích khi vô tình làm kích hoạt công tắc Tắt/Mở.** Pin có thể bị hỏng. Quy trình hoạt động được chia ra làm hai giai đoạn.

Tháo pin (xem Hình A)

Để tháo pin (9) bạn hãy ấn cả hai nút mở (8) và đẩy pin xuống dưới ra khỏi dụng cụ điện cầm tay. **Không dùng sức.**

Thay Dụng Cụ

- ▶ **Trước khi tiến hành bất cứ công việc gì với máy (ví dụ bảo dưỡng, thay dụng cụ v.v..) cũng như khi vận chuyển hay lưu kho, tháo pin ra khỏi dụng cụ điện.** Có nguy cơ gây thương tích khi vô tình làm kích hoạt công tắc Tắt/Mở.

Thay phụ tùng: GSR 12V-35 HX (xem Hình C)

Kéo vòng Khóa (3) về phía sau, đưa phụ tùng vào phần lắp dụng cụ cho tới cỡ chặn (1) và nhả vòng khóa (3), để khóa phụ tùng.

Vui lòng chú ý rằng cơ cấu khóa được tối ưu hóa thành kích cỡ phổ biến nhất của dụng cụ gài tại quốc gia tương ứng.

Thay dụng cụ gài: GSB 12V-35/GSR 12V-35 (xem Hình B)

Hãy mở mâm cặp mũi khoan tự động (2) bằng cách xoay theo hướng ①, cho đến khi có thể lắp được dụng cụ. Lắp dụng cụ vào.

Hãy xoay bạc lót của đầu cặp mũi khoan không chìa (2) vào theo chiều xoay ② của tay thật mạnh. Bằng cách đó, đầu cặp mũi khoan sẽ tự động được khóa.

Khóa được mở ra lại để lấy dụng cụ ra khi cổ mâm cặp được vận theo chiều ngược lại.

Tháo dụng cụ gài ra: GSR 12V-35 HX

Hãy kéo vòng Khóa (3) ra phía sau và kéo phụ tùng khỏi khe cắm (1).

Hút Dặm/Bụi

Mặt bụi từ các vật liệu được sơn phủ ngoài có chứa chì trên một số loại gỗ, khoáng vật và kim loại có thể gây nguy hại đến sức khỏe con người. Dụng cụ chạm hay hít thở các bụi này có thể làm người sử dụng hay đứng gần bị dị ứng và/hoặc gây nhiễm trùng hệ hô hấp.

Một số mặt bụi cụ thể, ví dụ như bụi gỗ sợi hay đầu, được xem là chất gây ung thư, đặc biệt là có liên quan đến các chất phụ gia dùng xử lý gỗ (chất cromat, chất bảo quản gỗ). Có thể chỉ nên để thợ chuyên môn gia công các loại vật liệu có chứa amiăng.

- Tạo không khí thông thoáng nơi làm việc.
- Khuyến nghị nên mang mặt nạ phòng độc có bộ lọc cấp P2.

Tuân thủ các qui định của quốc gia bạn liên quan đến loại vật liệu gia công.

- ▶ **Tránh không để rác tích tụ tại nơi làm việc.**
Rác có thể dễ dàng bắt lửa.

Vận Hành

Bắt Đầu Vận Hành

Tháo Pin

Hướng dẫn: Việc sử dụng pin không phù hợp với dụng cụ điện có thể dẫn đến lỗi chức năng hoặc gây hỏng dụng cụ điện.

Đặt gạc vận chuyển đổi chiều quay (7) vào giữa để tránh vô tình bật. Hãy lắp pin đã sạc (9) vào tay cầm, đến khi nó được gài vào khớp và nằm chính xác trên tay cầm.

Điều chỉnh hướng xoay (xem Hình D)

Với gạc vận chuyển đổi chiều quay (7) bạn có thể thay đổi hướng xoay của dụng cụ điện. Tuy nhiên, việc này không thực hiện được khi công tắc Tắt/Mở được nhấn (10).

Quay phải: Để khoan hay bắt vít, đẩy gạc vận chuyển đổi chiều quay (7) sang trái đến cỡ chặn.

Xoay ngược chiều kim đồng hồ: Để nối lỏng hoặc tháo các vít hãy nhấn gạc vận chuyển đổi chiều quay (7) sang bên phải cho tới cỡ chặn.

Chỉnh đặc lực xoắn

Với vòng điều chỉnh chọn trước mô-men xoắn (4) bạn có thể chọn trước mô-men xoắn cần thiết ở 20 mức. Với việc chỉnh đặt đúng, dụng cụ lắp trong máy ngừng ngay sau khi vít được bắt vào bằng với bề mặt vật liệu hay khi lực vận chỉnh đặt đã đạt được. Ở vị trí ④, khớp nối chặn bị vô hiệu, ví dụ để khoan.

Chọn một cài đặt cao hơn khi vận vít ra hoặc vận sang biểu tượng ④.

Sự chọn lực Truyền động, Cơ học

▶ **Chỉ kích hoạt công tắc chọn vòng truyền động (6) khi dụng cụ điện đã ngừng chạy.**

Với công tắc chọn vòng truyền động (6), có thể chọn sẵn 2 tầm tốc độ.

Số I:

Tầm tốc độ thấp; dành để bắt vít hay thao tác với đường kính khoan lớn.

Số II:

Tầm tốc độ cao hơn; dùng để khoan có đường kính nhỏ.

Điều chỉnh chế độ vận hành



Khoan GSR

Đặt vòng điều chỉnh chọn trước mô-men xoắn (4) thành biểu tượng „Khoan“.

GSB

Đặt vòng điều chỉnh chọn trước chế độ vận hành (5) lên biểu tượng „Khoan“.



Bắt vít GSR

Thiết lập vòng điều chỉnh chọn trước mô-men xoắn (4) mức mô-men xoắn mong muốn.

GSB

Đặt vòng điều chỉnh chọn trước chế độ vận hành (5) lên biểu tượng „Bắt vít“.

Thiết lập vòng điều chỉnh chọn trước mô-men xoắn (4) thành mức mô-men xoắn mong muốn.



Khoan xung động (GSB)

Đặt vòng điều chỉnh chọn trước chế độ vận hành (5) lên biểu tượng „Khoan xung động“.

Chỉnh đặt Tốc độ/Tần suất Đạp

Bạn có thể liên tục điều chỉnh tốc độ/tần suất đạp của dụng cụ điện đang bật tùy theo mức độ bấm công tắc Tắt/Mở mạnh hay nhẹ (10).

Bấm nhẹ công tắc Tắt/Mở (10) sẽ cho tốc độ/tần suất đập thấp. Lực áp mạnh hơn lên công tắc làm tăng tốc độ và tần suất đập.

Bật Mở và Tắt

Để **vận hành thử** dụng cụ điện hãy nhấn công tắc Tắt/Mở (10) và nhấn giữ.

Để tắt máy, **nhả** công tắc Tắt/Mở (10) ra.

Khóa tự động toàn bộ trục (Khóa tự động)

Khi công tắc Tắt/mở không được nhấn (10) trực máy khoan và khe cắm (1) sẽ bị khóa.

Do vậy nên vẫn có thể bắt vít vào, ngay cả khi điện pin (9) đã cạn và cho phép máy được sử dụng như là một tua-vít.

Đèn báo trạng thái nạp pin

Đèn báo trạng thái nạp pin (11) hiển thị tình trạng sạc của pin khi công tắc Tắt/Mở được nhấn một nửa hoặc hoàn toàn (10) trong vài giây và gồm có 3 đèn LED xanh lá.

3 đèn LED báo trạng thái nạp pin (11) và đèn (12) nhấp nháy nhanh, nếu nhiệt độ của pin nằm ngoài khoảng nhiệt độ vận hành từ -20 đến +50 °C.

LED	Điện dung
Sáng liên tục 3 x màu xanh lá	≥76 %
Sáng liên tục 2 x màu xanh lá	51–75 %
Sáng liên tục 1 x màu xanh lá	26–50 %
chớp chậm 1 x màu xanh lá	≤25 %

Bảo Vệ Chống Quá Tải Dựa Trên Nhiệt Độ

Trong quá trình sử dụng sắp tới, không được để dụng cụ điện bị quá tải. Nếu tải trọng quá nặng, hệ thống điện sẽ tắt dụng cụ điện, cho tới khi hệ thống này lại ở trong khoảng nhiệt độ vận hành tối ưu.

Tình trạng này được báo hiệu bởi đèn chạy của ba đèn LED báo trạng thái nạp pin (11). Các đèn LED được tắt, nếu dụng cụ điện đạt tới nhiệt độ vận hành tối ưu.

Hướng Dẫn Sử Dụng

► Chỉ đặt dụng cụ điện đã tắt lên đai ốc/vít.

Dụng cụ đang quay có thể bị tuột ra.

Sau một thời gian làm việc dài với tốc độ vòng quay thấp, bạn cần cho dụng cụ điện quay không tải với tốc độ tối đa trong khoảng 3 phút để làm mát.

Chỉ sử dụng mũi khoan HSS (HSS=thép gió công suất cao) sắc và không bị lỗi khi khoan trên kim loại. Chất lượng đáp ứng chuẩn được đảm bảo trong chương trình phụ kiện của **Bosch**.

Trước khi bắt một vít lớn, dài hơn bình thường vào vật liệu cứng, nên khoan trước một lỗ mỗi có cùng đường kính rỗng vít vào sâu vào khoảng 2/3 của chiều dài vít.

Móc cài dây thắt lưng (xem hình E)

Với móc cài dây thắt lưng (16), bạn có thể treo dụng cụ điện, ví dụ, vào đai lưng. Sau đó bạn sẽ có hai tay tự do và dụng cụ điện sẽ luôn luôn dễ sử dụng.

Ống cặp mũi khoan (xem Hình F)

Trong ống cặp mũi khoan (17) bạn có thể gắn đầu chia vận vít để cất trữ.

Kẹp màu (xem hình G)

Kẹp màu (18) chỉ có thể được dùng, nếu móc cài dây thắt lưng (16) hoặc ống cặp mũi khoan không được lắp.

Bảo Dưỡng và Bảo Quản

Bảo Dưỡng Và Làm Sạch

- **Trước khi tiến hành bất cứ công việc gì với máy (ví dụ bảo dưỡng, thay dụng cụ v.v..) cũng như khi vận chuyển hay lưu kho, tháo pin ra khỏi dụng cụ điện.** Có nguy cơ gây thương tích khi vô tình làm kích hoạt công tắc Tắt/Mở.
- **Để được an toàn và máy hoạt động đúng chức năng, luôn luôn giữ máy và các khe thông gió được sạch.**

Dịch vụ hỗ trợ khách hàng và tư vấn sử dụng

Bộ phận phục vụ hàng sau khi bán của chúng tôi trả lời các câu hỏi liên quan đến việc bảo dưỡng và sửa chữa các sản phẩm cũng như phụ tùng thay thế của bạn. Sơ đồ mô tả và thông tin về phụ tùng thay thế cũng có thể tra cứu theo dưới đây:

www.bosch-pt.com

Đội ngũ tư vấn sử dụng của Bosch sẽ giúp bạn giải đáp các thắc mắc về sản phẩm và phụ kiện.

Trong tất cả các phản hồi và đơn đặt phụ tùng, xin vui lòng luôn luôn nhập số hàng hóa 10 chữ số theo nhãn của hàng hóa.

Việt Nam

CN CÔNG TY TNHH BOSCH VIỆT NAM TẠI TP.HCM

Tầng 14, Ngôi Nhà Đức, 33 Lê Duẩn
Phường Bến Nghé, Quận 1, Thành Phố Hồ Chí Minh

Tel.: (028) 6258 3690

Fax: (028) 6258 3692 - 6258 3694

Hotline: (028) 6250 8555

Email: tuvankhachhang-pt@vn.bosch.com

www.bosch-pt.com.vn

www.baohanhbosch-pt.com.vn

Campuchia

Công ty TNHH Robert Bosch (Campuchia)

Đơn nguyên 8BC, GT Tower, Tầng 08, Đường 169,

Tiếp Khắc Blvd, Sangkat Veal Vong,
Khan 7 Makara, Phnom Penh
VAT TIN: 100 169 511
Tel.: +855 23 900 685
Tel.: +855 23 900 660
www.bosch.com.kh

Vận chuyển

Pin có chứa Li-Ion là đối tượng phải tuân theo các qui định của Pháp Luật về Hàng Hóa Nguy Hiểm. Người sử dụng có thể vận chuyển pin hợp khối bằng đường bộ mà không cần thêm yêu cầu nào khác.

Khi được vận chuyển thông qua bên thứ ba (vd. vận chuyển bằng đường hàng không hay đại lý giao nhận), phải tuân theo các yêu cầu đặc biệt về đóng gói và dán nhãn. Phải tham vấn chuyên gia về hàng hóa nguy hiểm khi chuẩn bị gói hàng.

Chỉ gửi pin hợp khối khi vỏ ngoài không bị hư hỏng. Dán băng keo hay che kín các điểm tiếp xúc hở và đóng gói pin hợp khối theo cách sao cho pin không thể xô dịch khi nằm trong bao bì. Ngoài ra, xin vui lòng chấp hành các qui định chi tiết có thể được bổ sung thêm của quốc gia.

Sự thải bỏ



Dụng cụ điện, pin, phụ kiện và bao bì cần được tái sử dụng theo quy định về môi trường.



Bạn không được ném dụng cụ điện và pin vào thùng rác gia đình!

Pin/ắc quy:

Li-Ion:

Tuân thủ những hướng dẫn trong phần vận chuyển (xem „Vận chuyển“, Trang 75).

مخصص للاستعمال الخارجي من خطر الصدمات الكهربائية.

◀ **إن لم يكن بالإمكان تجنب تشغيل العدة الكهربائية في الأجواء الرطبة، فاستخدم مفتاح للوقاية من التيار المتخلف.** إن استخدام مفتاح للوقاية من التيار المتخلف يقلل خطر الصدمات الكهربائية.

أمان الأشخاص

◀ **كن يقظا وانتبه إلى ما تفعله واستخدم العدة الكهربائية بتعقل.** لا تستخدم عدة كهربائية عندما تكون متعبا أو عندما تكون تحت تأثير المخدرات أو الكحول أو الأدوية. عدم الانتباه للحظة واحدة عند استخدام العدة الكهربائية قد يؤدي إلى إصابات خطيرة.

◀ **قم لارتداء تجهيزات الحماية الشخصية.** وارتد دائما نظارات واقية. يعد ارتداء تجهيزات الحماية الشخصية، كقناع الوقاية من الغبار وأحذية الأمان الواقية من الانزلاق والحدوث أو واقية الأذنين، حسب ظروف استعمال العدة الكهربائية، من خطر الإصابة بجروح.

◀ **تجنب التشغيل بشكل غير مقصود.** تأكد من كون العدة الكهربائية مطفأة قبل توصيلها بالتيار الكهربائي و/أو بالمركم، وقبل رفعها أو حملها. إن كنت تضع إصبعك على المفتاح أثناء حمل العدة الكهربائية أو إن وصلت الجهاز بالشبكة الكهربائية بينما لامفتاح على وضع التشغيل، قد يؤدي إلى وقوع الحوادث.

◀ **انزع أداة الضبط أو مفتاح الربط قبل تشغيل العدة الكهربائية.** قد تؤدي الأداة أو المفتاح المتواجد في جزء دوار من الجهاز إلى الإصابة بجروح.

◀ **تجنب أوضاع الجسم غير الطبيعية.** قف بأمان وحافظ على توازنك دائما. سيسمح لك ذلك بالتمكّن في الجهاز بشكل أفضل في المواقف الغير متوقعة.

◀ **قم بارتداء ثياب مناسبة.** لا ترتد الثياب الفضفاضة أو الملّية. احرص على إبقاء الشعر والملابس بعيدا عن الأجزاء المتحركة. قد تتشابك الثياب الفضفاضة والملّية والشعر الطويل بالأجزاء المتحركة.

◀ **إن جاز تركيب تجهيزات شفط وتجميع الغبار، فتأكد من أنها موصولة وبأنه يتم استخدامها بشكل سليم.** قد يقلل استخدام تجهيزات لشفط الغبار من المخاطر الناتجة عن الغبار.

◀ **لا تستخدم العدة الكهربائية بلا مبالاة وتجاهل قواعد الأمان الخاصة بها نتيجة لتعودك على استخدام العدة الكهربائية وكثرة استخدامها.** فقد يتسبب الاستخدام دون حرص في حدوث إصابة بالغة تحدث في أجزاء من الثانية.

حسن معاملة واستخدام العدد الكهربائية

◀ **لا تفرط بتحميل الجهاز.** استخدم لتفنيذ أشغالك العدة الكهربائية المخصصة لذلك. إنك تعمل بشكل أفضل وأكثر أماناً بواسطة العدة الكهربائية الملائمة في مجال الأداء المذكور.

◀ **لا تستخدم العدة الكهربائية إن كان مفتاح تشغيلها تالف.** العدة الكهربائية التي لم يعد من

عربي

إرشادات الأمان

الإرشادات العامة للأمان بالعدد الكهربائية

تحذير

اطلع على كافة تحذيرات الأمان والتعليمات والصور والمواصفات المرفقة بالعدة الكهربائية. عدم اتباع التعليمات الواردة أدناه قد يؤدي إلى حدوث صدمة كهربائية، إلى نشوب حريق و/أو الإصابة بجروح خطيرة.

احتفظ بجميع الملاحظات التحذيرية والتعليمات للمستقبل.

يقصد بمصطلح «العدة الكهربائية» المستخدم في الملاحظات التحذيرية، العدد الكهربائي الموصولة بالشبكة الكهربائية (بواسطة كابل الشبكة الكهربائية) وأيضا العدد الكهربائي المزودة بمركم (دون كابل الشبكة الكهربائية).

الأمان بمكان الشغل

◀ **حافظ على نظافة مكان شغلك وإضاءته بشكل جيد.** الفوضى في مكان الشغل ونطاقات العمل غير المضاءة قد تؤدي إلى وقوع الحوادث.

◀ **لا تشغل بالعدة الكهربائية في نطاق معرض لخطر الانفجار مثل الأماكن التي تتوفر فيه السوائل أو الغازات أو الأبخرة القابلة للاشتعال.** العدد الكهربائي تولد شررا قد يتطاير، فيشعل الأبخرة والأبخرة.

◀ **حافظ على بقاء الأطفال وغيرهم من الأشخاص بعيدا عندما تستعمل العدة الكهربائية.** تشتيت الانتباه قد يتسبب في فقدان السيطرة على الجهاز.

الأمان الكهربائي

◀ **يجب أن يتلائم قابس العدة الكهربائية مع المقبس.** لا يجوز تغيير القابس بأي حال من الأحوال. لا تستعمل القوابس المهائية مع العدد الكهربائية المؤرضة (ذات طرف أرضي). تخفّض القوابس التي لم يتم تغييرها والمقابس الملائمة من خطر الصدمات الكهربائية.

◀ **تجنب ملامسة جسمك للأسطح المؤرضة كالأنابيب والمبردات والمواقد أو التلّجات.** يزداد خطر الصدمات الكهربائية عندما يكون جسمك مَوْض أو موصل بالأرضي.

◀ **أبعد العدة الكهربائية عن الأمطار أو الرطوبة.** يزداد خطر الصدمات الكهربائية إن تسرب الماء إلى داخل العدة الكهربائية.

◀ **لا تسيء استعمال الكابل.** لا تستخدم الكابل في حمل العدة الكهربائية أو سحبها أو سحب القابس من المقبس. احرص على إبعاد الكابل عن الحرارة والزيت والحواف الحادة أو الأجزاء المتحركة. تزيد الكابلات التالفة أو المتشابكة من خطر الصدمات الكهربائية.

◀ **عند استخدام العدة الكهربائية خارج المنزل اقتصر على استخدام كابلات التمديد الصالحة للاستعمال الخارجي.** يقلل استعمال كابل تمديد

- ذلك. قد يؤدي سائل المركم المتسرب إلى تهيج البشرة أو إلى الاحتراق.
- ◀ لا تستخدم عدة أو مركم تعرضاً لأضرار أو للتعديل. البطاريات المعرضة لأضرار أو لتعدلات قد ينتج عنها أشياء لا يمكن التنبؤ بها، قد تسبب نشوب حريق أو حدوث انفجار أو إصابات.
- ◀ لا تعرض المركم أو العدة للهب أو لدرجة حرارة زائدة. التعرض للهب أو لدرجة حرارة أعلى من 130 °م قد يتسبب في انفجار.
- ◀ اتبع تعليمات الشحن ولا تقم بشحن المركم أو العدة خارج نطاق درجة الحرارة المحدد في التعليمات. الشحن بشكل غير صحيح أو في درجات حرارة خارج النطاق الممدد قد يعرض المركم لأضرار ويزيد من مخاطر الحريق.

الخدمة

- ◀ احرص على إصلاح عدتك الكهربائية فقط بواسطة العمال المتخصصين وباستعمال قطع الغيار الأصلية فقط. يضمن ذلك المحافظة على أمان الجهاز.
- ◀ لا تقم بإجراء أعمال خدمة على المراكم التالفة. أعمال الخدمة على المراكم يجب أن تقوم بها الجهة الصانعة فقط أو مقدم الخدمة المعتمد.

تعليمات الأمان لآلات الثقب ومفكات اللوالب

- تعليمات الأمان لكافة التطبيقات
- ◀ احرص على ارتداء واقبات السمع أثناء الثقب الطرقي. التعرض للضوضاء الناتجة عن ذلك قد يتسبب في فقدان السمع.
- ◀ أمسك العدة الكهربائية من أسطح المسك المعزولة عند القيام بأعمال قد يترتب عليها ملامسة ملحق القطع أو عناصر التثبيت لأسلاك كهربائية غير ظاهرة. ملامسة ملحق القطع أو أدوات الربط لسلك «مكهرب» قد يتسبب في مرور التيار في الأجزاء المعدنية من العدة وجعلها مكهربة مما قد يصيب المشغل بصدمة كهربائية.
- تعليمات الأمان عند استخدام ريش ثقب طويلة
- ◀ لا تقم أبداً بالتشغيل بسرعة أعلى من السرعة القصوى المقررة لريشة الثقب. فعلى السرعات العالية ستكون الريشة معرضة للثني في حالة دورانها بشكل حر دون لمس قطعة الشغل، مما قد يؤدي لوقوع إصابات.
- ◀ احرص دائماً على بدء الثقب بسرعة منخفضة بحيث تكون رأس الريشة ملامسة لقطعة الشغل. فعلى السرعات العالية ستكون الريشة معرضة للثني في حالة دورانها بشكل حر دون لمس قطعة الشغل، مما قد يؤدي لوقوع إصابات.
- ◀ لا تضغط إلا على خط واحد مع الريشة، ولا تضغط بشكل زائد. فقد تتثنى الريشة، وتعرض للكسر أو تسبب فقدان السيطرة، مما يؤدي لوقوع إصابات.

إرشادات الأمان الإضافية

- ◀ أمسك بالعدة الكهربائية بإحكام. قد تتشكل عزوم رد فعل عالية لوهلة قصيرة عند إحكام شد وحل اللوالب.

- الممكن التحكم بها عن طريق مفتاح التشغيل والإطفاء تعتبر خطيرة ويجب أن يتم إصلاحها.
- ◀ اسحب القابس من المقبس و/أو اخلع المركم، إذا كان قابلاً للخلع، قبل ضبط الجهاز وقبل استبدال الملحقات أو قبل تخزين الجهاز. تمنع هذه الإجراءات وقائية تشغيل العدة الكهربائية بشكل غير مقصود.
- ◀ احتفظ بالعدد الكهربائية التي لا يتم استخدامها بعيداً عن متناول الأطفال. لا تسمح باستخدام العدة الكهربائية لمن لا خبرة له بها أو لمن لم يقرأ تلك التعليمات. العدد الكهربائية خطيرة إن تم استخدامها من قبل أشخاص دون خبرة.
- ◀ اعتن بالعدة الكهربائية والملحقات بشكل جيد. تأكد أن أجزاء الجهاز المتحركة مركبة بشكل سليم وغير مستعصية عن الحركة، وتفحص ما إن كانت هناك أجزاء مكسورة أو في حالة تؤثر على سلامة أداء العدة الكهربائية. ينبغي إصلاح هذه الأجزاء التالفة قبل إعادة تشغيل الجهاز. الكثير من الموادث مصدرها العدد الكهربائية التي تتم صيانتها بشكل رديء.
- ◀ احرص على إبقاء عدد القطع نظيفة وحادة. إن عدد القطع ذات حواف القطع المادة التي تم صيانتها بعناية تتكلم بشكل أقل ويمكن توجيهها بشكل أيسر.
- ◀ استخدم العدد الكهربائية والتوايح وريش الشغل إلخ. وفقاً لهذه التعليمات. تراعى أثناء ذلك ظروف الشغل والعمل المراد تنفيذه. استخدام العدد الكهربائية لغير الأشغال المخصصة لأجلها قد يؤدي إلى حدوث الحالات الخطيرة.
- ◀ احرص على إبقاء المقابض وأسطح المسك جافة ونظيفة وخالية من الزيوت والشحوم. المقابض وأسطح المسك الزلقة لا تتبع التشغيل والتحكم الآمن في العدة في المواقف غير المتوقعة.
- حسن معاملة واستخدام العدد المزودة بمركم اشحن المراكم فقط في أجهزة الشحن التي يُنصح باستخدامها من طرف المنتج. قد يتسبب جهاز الشحن المخصصة لنوع معين من المراكم في خطر الحريق إن تم استخدامه مع نوع آخر من المراكم.
- ◀ استخدم العدد الكهربائية فقط مع المراكم المصممة لهذا الغرض. قد يؤدي استخدام المراكم الأخرى إلى إصابات وإلى خطر نشوب المرائق.
- ◀ حافظ على إبعاد المركم الذي لا يتم استعماله عن مشابك الورق وقطع النقود المعدنية والمفاتيح والمسامير واللوالب أو غيرها من الأغراض المعدنية الصغيرة التي قد تقوم بتوصيل الملامسين ببعضهما البعض. قد يؤدي تقصير الدارة الكهربائية بين ملامسي المركم إلى الاحتراق أو إلى اندلاع النار.
- ◀ قد يتسرب السائل من المركم في حالة سوء الاستعمال. تجنب ملامسته. اشطفه بالماء في حال ملامسته بشكل غير مقصود. إن وصل السائل إلى العينين، فراجع الطبيب إضافة إلى

يرجى الرجوع إلى الصور الموجودة في الجزء الأول من دليل التشغيل.

الاستعمال المخصص

العدة الكهربائية مخصصة لربط وحل اللوالب بالإضافة إلى الثقب في الخشب والمعدن والسيراميك واللدائن. العدة الكهربائية GSB مخصصة بالإضافة إلى ذلك للثقب الطرقي في الطوب والجدران والحجر.

الأجزاء المصورة

يشير ترقيم الأجزاء المصورة إلى رسوم العدة الكهربائية الموجودة في صفحة الرسوم التخطيطية.

- (1) حاضن العدة
- (2) ظرف ريش الثقب سريع الربط
- (3) جلبة إقفال (GSR 12V-35 HX)
- (4) حلقة ضبط اختيار عزم الدوران مسبقا
- (5) حلقة ضبط اختيار نوع التشغيل مسبقا (GSB)
- (6) مفتاح اختيار ترس السرعة
- (7) مفتاح تمويل اتجاه الدوران
- (8) زر فك إقفال المرمك^(A)
- (9) المرمك^(A)
- (10) مفتاح التشغيل والإطفاء
- (11) مبین حالة شحن المرمك
- (12) مصباح الضوء القوي „PowerLight“
- (13) مقبض (مقبض مسك معزول)
- (14) لقمة ربط لوالب^(A)
- (15) حامل لقم عام^(A)
- (16) مشبك الحزام^(A)
- (17) مثبت لقم^(A)
- (18) مشبك ملون^(A)

◀ **احرص على تأمين قطعة الشغل.** قطعة الشغل المثبتة بواسطة تجهيزة شدّ أو بواسطة الملزمة مثبتة بأمان أكبر مما لو تم الإمساك بها بواسطة يدك.

◀ **استخدم أجهزة تنقيب ملائمة للعثور على خطوط الإمداد غير الظاهرة، أو استعن بشركة الإمداد المحلية.** ملامسة الخطوط الكهربائية قد تؤدي إلى اندلاع النار وإلى الصدمات الكهربائية. حدوث أضرار بخط الغاز قد يؤدي إلى حدوث انفجارات. اختراق خط الماء يتسبب في وقوع أضرار مادية.

◀ **انتظر إلى أن تتوقف العدة الكهربائية عن الحركة قبل أن تضعها جانباً.** قد تتكلم عدة الشغل فتؤدي إلى فقدان السيطرة على العدة الكهربائية.

◀ **قد تنطلق أبخرة عند تلف المرمك واستخدامه بطريقة غير ملائمة. يمكن أن يحترق المرمك أو يتعرض للانفجار.** أمن توفر الهواء النقي وراجع الطبيب إن شعرت بشكوى. قد تهيج هذه الأبخرة المجاري التنفسية.

◀ **لا تفتح المرمك.** يتشكل خطر تقصير الدائرة الكهربائية.

◀ **يمكن أن يتعرض المرمك لأضرار من خلال الأشياء المدببة مثل المسامير والمفكات أو من خلال تأثير القوى الخارجية.** وقد يؤدي هذا إلى تقصير الدائرة الكهربائية الداخلية واحترق المرمك وأخروج الأدخنة منه أو انفجاره وتعرضه لسخونة مفرطة.

◀ **اقتصر على استخدام المرمك في منتجات الجهة الصانعة.** يتم حماية المرمك من فرط التميل الخطير بهذه الطريقة فقط دون غيرها.

◀ **احرص على حماية المرمك من الحرارة، بما ذلك التعرض لأشعة الشمس باستمرار ومن النار والأتساخ والماء والرطوبة.** حيث ينشأ خطر الانفجار وخطر حدوث دائرة قصر.

◀ **أوقف العدة الكهربائية على الفور في حالة تعرض عدة الشغل للانحصار. كن مستعداً لمواجهة عزم رد الفعل العالية، والتي تسبب صدمة ارتدادية.** تنحصر عدة الشغل عندما يتم التميل بشكل زائد على العدة الكهربائية أو إذا انقمطت في قطعة الشغل التي تعمل عليها.

وصف المنتج والأداء

اقرأ جميع إرشادات الأمان والتعليمات. ارتكاب الأخطاء عند تطبيق إرشادات الأمان والتعليمات، قد يؤدي إلى حدوث صدمات الكهربائية أو إلى نشوب الحرائق و/أو الإصابة بجروح خطيرة.



(A) لا يتضمن إطار التوريد الاعتيادي التوابع المصورة أو المشروحة. تجد التوابع الكاملة في برنامجنا للتوابع.

البيانات الفنية

GSR 12V-35 HX	GSR 12V-35	GSB 12V-35	مقاب/مفك لوالب بمرمك
3 601 JJ9 1..	3 601 JH8 0..	3 601 JJ9 0..	رقم الصنف

GSR 12V-35 HX	GSR 12V-35	GSB 12V-35	مثناب/مفك لوالب بمركم	الجهد الاسمي
12	12	12	=	فلط
عدد اللفات الاحملي ^(A)				
0-460	0-460	0-460	دقيقة ¹	- السرعة الأولى
0-1750	0-1750	0-1750	دقيقة ¹	- السرعة الثانية
-	-	26 250	min ⁻¹	عدد الطرقات ^(A)
35/20	35/20	35/20	نيوتن متر	عزم الدوران الأقصى في حالة ربط لوالب قاسية/لينية حسب المواصفة ISO 5393 ^(A)
أقصى قطر ثقب (السرعة الأولى/الثانية)				
-	-	10	مم	- الجدران
10	10	10	مم	- فولاذ
32	32	32	مم	- خشب
-	0,8-10	0,8-10	مم	نطاق شد طرف المثناب
6,35 ¼"	-	-	مم	حاضن العدة
8	8	8	مم	القطر الأقصى للوالب
0,75-1,0	0,93-1,2	1,0-1,2	كجم	الوزن حسب EPTA-Procedure 01:2014 ^(A)
0 ... +35	0 ... +35	0 ... +35	°م	درجة الحرارة المحيطة الموصى بها عند الشحن
-20 ... +50	-20 ... +50	-20 ... +50	°م	درجة الحرارة المحيطة المسموح به عند التشغيل ^(B) وعند التخزين
GBA 12V...	GBA 12V...	GBA 12V...		المراكم الموصى بها
GAL 12...	GAL 12...	GAL 12...		أجهزة الشحن الموصى بها
GAX 18...	GAX 18...	GAX 18...		

(A) حسب المرمك المُستخدَم

(B) قدرة محدودة في درجات الحرارة > 0°م

يمكن أن يتم شحن مركم أيونات الليثيوم في أي وقت، دون أن يقلل ذلك من فترة صلاحيته. لا يتسبب قطع عملية الشحن في الإضرار بالمركم.

لقد تمّ وقاية مركم أيونات الليثيوم من التفرغ الشديد بواسطة واقية الخلايا الإلكترونية، "Electronic Cell Protection (ECP)". يتمّ إطفاء العدة الكهربائية بواسطة قارئة وقائية عندما يفرغ المركم؛ لن تتحرك عدة الشغل عندئذ.

◀ لا تتابع الضغط على مفتاح التشغيل والإطفاء بعد انطفاء العدة الكهربائية بشكل آلي. فقد يتلف المركم.

تراجع الملاحظات بصدد التخلص من العدد.

إخراج المركم (انظر الصورة A)

لخلع المركم (9) اضغط على زرّي فك الإقفال (8) واجذب المركم من العدة الكهربائية إلى أسفل. لا تستخدم القوة أثناء ذلك.

التركيب

◀ انزع المركم عن العدة الكهربائية قبل إجراء أي أعمال بالعدة الكهربائية (مثلاً: الصيانة، استبدال العدد وإلخ..). وأيضاً عند نقلها أو تخزينها. هناك خطر إصابة بجروح عند الضغط على مفتاح التشغيل والإطفاء بشكل غير مقصود.

شحن المركم

◀ اقتصر على استخدام أجهزة الشحن المذكورة في المواصفات الفنية. أجهزة الشحن هذه دون غيرها هي المتوائمة مع مركم أيونات الليثيوم المستخدم في عدتك الكهربائية.

ملحوظة: يتم تسليم المركم وهو بحالة شحن جزئي. لضمان قدرة أداء المركم الكاملة، يتوجب شحن المركم في تجهيزة الشحن بشكل كامل قبل الاستعمال لأول مرة.

التشغيل

بدء التشغيل

تركيب المركم

إرشاد: استخدام المراكم غير المناسبة لعدتك الكهربائية يمكن أن يؤدي إلى حدوث اختلالات وظيفية أو إلى إلحاق الضرر بالعدة الكهربائية. اضبط مفتاح تحويل اتجاه الدوران (7) على الوضع المتوسط لمنع التشغيل غير المقصود. ضع المركم المشحون (9) في المقبض إلى أن يثبت بصوت مسموع، ويتسطح مع المقبض.


ضبط اتجاه الدوران (انظر الصورة D)


يمكنك أن تغير اتجاه دوران العدة الكهربائية (7) بواسطة مفتاح تغيير اتجاه الدوران. إلا أنه لا يمكن تغييره عندما يكون مفتاح التشغيل والإطفاء (10) مضغوطاً.

دوران يميني: للثقب ولربط اللوالب، اضغط على مفتاح تحويل اتجاه الدوران (7) إلى اليسار حتى النهاية.

دوران اليسار: لحل أو فك اللوالب اضغط مفتاح تحويل اتجاه الدوران (7) إلى اليمين حتى النهاية.

ضبط عزم الدوران مسبقاً

تسمح لك حلقة ضبط اختيار عزم الدوران مسبقاً (4) بضبط عزم الدوران المطلوب على 20 درجة بشكل مسبق. عند الضبط الصحيح يتم إيقاف عدة الشغل بمجرد استواء اللولب بعد ربطه مع سطح الخامة أو الوصول إلى عزم لدوران المضبوط. في الوضع  تكون الفأرة الكلابية مطفاة، من أجل إجراء أعمال التثقيب مثلاً.

اختر ضبط أعلى عند فك اللوالب أو اضبط على رمز .

اختيار ترس السرعة ميكانيكياً

◀ **اضبط مفتاح اختيار ترس السرعة (6) فقط عندما تكون العدة الكهربائية متوقفة عن الحركة.**

يمكنك بواسطة مفتاح اختيار ترس السرعة (6) أن تختار مجالين اثنين لسرعة الدوران مسبقاً.

ترس السرعة I:

مجال عدد لفات منخفض، لربط اللوالب أو للشغل بقطر ثقب كبير.

ترس السرعة II:

مجال عدد لفات مرتفع لأداء العمل بقطر ثقب صغير.

ضبط نوع التشغيل

الثقب

GSR



اضبط طارة ضبط الاختيار المسبق لعزم الدوران (4) على رمز "الثقب".

GSB

اضبط طارة ضبط الاختيار المسبق لنوع التشغيل (5) على رمز "الثقب".

ربط اللوالب

GSR



اضبط طارة ضبط الاختيار المسبق لعزم الدوران (4) على عزم الدوران المرغوب.

استبدال العدد


◀ **انزع المركم عن العدة الكهربائية قبل إجراء أي أعمال بالعدة الكهربائية (مثلاً: الصيانة، استبدال العدد وإلخ..) وأيضاً عند نقلها أو تخزينها.** هناك خطر إصابة بجروح عند الضغط على مفتاح التشغيل والإطفاء بشكل غير مقصود.


تركيب عدة الشغل: GSR 12V-35 HX (انظر الصورة C)

اسحب جلبة الإقفال (3) إلى الخلف، وأدخل عدة الشغل في حاضن العدة حتى المصد (1) واترك جلبة الإقفال (3) مرة أخرى لتثبيت عدة الشغل.

يرجى مراعاة أن القفل معد خصيصاً ليناسب الأبعاد الأكثر انتشاراً لعدد الشغل في بلد الاستخدام المعنية.

تركيب عدة الشغل: GSR 12V-35/GSB 12V-35 (انظر الصورة B)

افتح طرف ريش الثقب سريع الربط (2) من خلال إدارته في اتجاه دوران  إلى أن تتمكن من تلقيم العدة. قم بتركيب العدة.

أغلق جلبة طرف ريش الثقب سريع الربط (2) بإدارتها في الاتجاه  يدويا بقوة. يتم تأمين قفل طرف ريش الثقب بذلك أو توماتيكياً.

يتمة إعادة فك الإقفال عند إدارة الجلبة إلى الاتجاه المعاكس من أجل خلع العدة.

خلع عدة الشغل: GSR 12V-35 HX

اسحب جلبة الإقفال (3) إلى الخلف، واخلع عدة الشغل لإخراجها من الحاضن (1).

شغل الغبار/النشارة

إن أغبرة بعض المواد كالطلاء الذي يحتوي على الرصاص، وبعض أنواع الخشب والفلزات والمعادن، قد تكون مضرّة بالصحة. إن ملامسة أو استنشاق الأغبرة قد يؤدي إلى ردود فعل زائدة المساسية و/أو إلى أمراض المجاري التنفسية لدى المستخدم أو لدى الأشخاص المتواجدين على مقربة من المكان.

تعتبر بعض الأغبرة المعينة، كأغبرة البلوط والزنان من مسببات السرطان، وبالأخص عند اتصالها بالمواد الإضافية الخاصة بمعالجة الخشب (ملح حامض الكروميك، المواد المافظة للخشب). يجوز أن يتم معالجة المواد التي تحتوي على الأسبستوس من قبل العمال المتخصصين فقط دون غيرهم.

– حافظ على تهوية مكان الشغل بشكل جيد.

– ينصح بارتداء قناع وقاية للتنفس من فئة المرشح P2.

تراعى الأحكام السارية في بلدكم بالنسبة للمواد المرغوب معالجتها.

◀ **تجنب تراكم الغبار بمكان العمل.** يجوز أن تستنل الأغبرة بسهولة.

إرشادات العمل

◀ **ضع العدة الكهربائية على اللولب/الصامولة فقط عندما تكون مطفأة.** إن عدد الشغل الدوارة قد تنزلق.

بعد العمل لفترة طويلة بعدد لفات منخفض ينبغي إدارة العدة الكهربائية لمدة 3 دقائق بأقصى عدد لفات من أجل تبريدها.

استخدم عند تثقيب المعادن فقط لقم التثقيب HSS السليمة والمشموذة (HSS) الفولاذ العالي القدرة والسريع القطع). يضمن برنامج توابع **Bosch** الجودة المناسبة.

قبل ربط اللولب الكبيرة الطويلة في الثامات القاسية، ينصح بإجراء ثقب تهيدي بقطر لولب وبمقدار 2/3 طول اللولب.

مشبك الحزام (انظر الصورة E)

يمكنك أن تشبك العدة الكهربائية بواسطة مشبك الحزام (16) على الحزام مثلاً. وبذلك ستكون يدك فارغتان والعدة الكهربائية تمت تصرفك دائماً.

مثبت اللقم (انظر الصورة F)

يمكن حفظ لقم ربط اللولب في مثبت اللقم (17).

المشبك الملون (انظر الصورة G)

لا يمكن استخدام المشبك الملون (18) إلا إذا كان مشبك الحزام (16) أو مثبت اللقم غير مركبين.

الصيانة والخدمة

الصيانة والتنظيف

◀ **انزع المرمك عن العدة الكهربائية قبل إجراء أي أعمال بالعدة الكهربائية (مثلاً: الصيانة، استبدال العدد وإلخ..)** وأيضاً عند نقلها أو تخزينها. هناك خطر إصابة بجروح عند الضغط على مفتاح التشغيل والإطفاء بشكل غير مقصود.

◀ **للعمل بشكل جيد وأمن حافظ دائماً على نظافة العدة الكهربائية وفتحات التهوية.**

خدمة العملاء واستشارات الاستخدام

يجيب مركز خدمة العملاء على الأسئلة المتعلقة بإصلاح المنتج وصيانته، بالإضافة لقطع الغيار. تجد الرسوم التفصيلية والمعلومات الخاصة بقطع الغيار في الموقع: www.bosch-pt.com يسر فريق Bosch لاستشارات الاستخدام مساعدتك إذا كان لديك أي استفسارات بخصوص منتجاتنا وملحقاتها.

يلزم ذكر رقم الصنف ذو الخانات العشر وفقاً للوحة صنع المنتج عند إرسال أية استفسارات أو طلبيات قطع غيار.

الجزائر

سيستال

منطقة الحدادين الصناعية

06000 بجاية

هاتف: 213 (0) 982 400 991/2

فاكس: 213 (0) 3 420 1569

بريد إلكتروني: sav@siestal-dz.com

GSB

اضبط طارة ضبط الاختيار المسبق لنوع التشغيل (5) على رمز "ربط اللولب".
اضبط طارة ضبط الاختيار المسبق لعزم الدوران (4) على عزم الدوران المرغوب.

التثقيب المرفق بالطرق (GSB)

اضبط طارة ضبط الاختيار المسبق لنوع التشغيل (5) على رمز "التثقيب المرفق بالطرق".



ضبط عدد اللفات/عدد الطرقات

يمكنك أن تتحكم بعدد اللفات/عدد الطرقات بالعدة الكهربائية قيد التشغيل دون تدريج، حسب مدى الضغط على مفتاح التشغيل والإطفاء (10).

يؤدي الضغط الخفيف على مفتاح التشغيل والإطفاء (10) إلى عدد لفات/طرقات منخفض. ويرتفع عدد اللفات/الطرقات بزيادة الضغط.

التشغيل والإطفاء

لغرض تشغيل العدة الكهربائية اضغط على مفتاح التشغيل والإطفاء (10) وحافظ على إبقائه مضغوطاً. لغرض إطفاء العدة الكهربائية اترك مفتاح التشغيل والإطفاء (10).

تثبيت آلي كامل لمحور الدوران (إفقال آلي)

عندما يكون مفتاح التشغيل والإطفاء (10) غير مضغوط يتم تثبيت محور دوران المثقاب وبالتالي حاضن العدة (1).

ويسمع ذلك بربط اللولب حتى لو كان المرمك فارغاً (9) أو باستخدام العدة الكهربائية بمثابة مفك براغي اعتيادي.

مبين حالة شحن المرمك

يشير مبين حالة شحن المرمك (11) يكون مفتاح التشغيل/الإطفاء (10) مضغوطاً بشكل نصفى أو بالكامل لعدة ثوانٍ إلى حالة شحن المرمك، وهو مكون من 3 لمبات دايبود خضراء.
تومض لمبات LED الثلاث بمبين حالة شحن المرمك (11) واللمبة (12) بسرعة عندما تخرج درجة حرارة المرمك عن نطاق درجة حرارة التشغيل من -20°م حتى 50°م.

لمبة LED	السعة
ضوء مستمر x 3 أخضر	≤ 76 %
ضوء مستمر x 2 أخضر	51-75 %
ضوء مستمر x 1 أخضر	26-50 %
ضوء وماض بطيء x 1 أخضر	≥ 25 %

وسيلة حماية من التحميل الزائد المرتبطة بدرجة الحرارة

في الاستعمال المطابق للتعليمات لا يمكن تعريض العدة الكهربائية للتحميل الزائد. تُطفأ العدة الكهربائية من تلقاء نفسها عند فرط التحميل، إلى أن تعود وتصل إلى مجال درجة حرارة التشغيل المثالية. يتم الإشارة إلى هذه الحالة من خلال الضوء المتحرك للمبات LED الثلاث بمبين حالة شحن المرمك (11). تنطفئ لمبات LED الثلاث عند وصول العدة الكهربائية لدرجة حرارة التشغيل المثالية.

البحرين

شركة الجفلي وإخوانه للمعدات الفنية.
مملكة البحرين، العكر - بلوك 0624 - شارع 2403 -
مبنى 0055D
الهاتف: +97317704537
فاكس: +973177045257
البريد الإلكتروني: h.berjas@eajb.com.sa

مصر

RBEG-LLC
22 كمال الدين حسين
شيراتون هليوبوليس
11799 القاهرة
البريد الإلكتروني:
boschegypt.powertools@eg.bosch.com

العراق

Sahba Technology Group
شارع مطار المثنى
بغداد
هاتف بغداد: +964 (0) 7 901 930366
هاتف دبي: +971 (0) 4 422 1898
البريد الإلكتروني: duraid@sahbatechnology.com

الأردن

شركة الجذور العربية Roots Arabia - الأردن
شارع الحرية، المقابيلين
عمان 11623، الأردن
صندوق بريد: 110068
هاتف: +962 6 4398990
البريد الإلكتروني: bosch@rootsjordan.com

الكويت

منطقة الشويخ الصناعية، مبنى 1، قطعة 16، شارع
رقم 3
صندوق بريد صندوق 164 - 13002 الصفاة
هاتف: 24810844
فاكس: 24810879
البريد الإلكتروني: josephkr@aaalmutawa.com

لبنان

طحيني هنا وشركاه ش.ذ.م.م.
صندوق بريد صندوق 90-449
جديد
الدورة بيروت
هاتف: +9611255211
البريد الإلكتروني: service-pt@tehini-hana.com

المغرب

Robert Bosch Morocco SARL
53، شارع الملازم محمد محروود
20300 الدار البيضاء
الهاتف: +212 5 29 31 43 27
البريد الإلكتروني: sav.outillage@ma.bosch.com

عمان

ملتن للتجارة والمقاولات ش.م.م.
صندوق بريد 131، روى، مسقط
الكويد البريدي: 112، سلطنة عمان
هاتف: +968 2479 4035/4089/4901
جوال: +968-91315465
فاكس: +968 2479 4058
البريد الإلكتروني: sudhirkumar@malatan.net

قطر

الدولية ل حلول البناء ش.م.م.
صندوق بريد صندوق 51،
هاتف الدوحة: +974 40065458
فاكس: +974 4453 8585
بريد إلكتروني: csd@icsdoha.com

المملكة العربية السعودية

شركة الجفلي للمعدات الفنية (جيتكو)
صندوق بريد: 1049 - جدة 21431 - المملكة العربية
السعودية
جدة: 0770 12 692 00966 (0) - داخلي 433
الرياض: 3976 11 409 00966 (0) -
داخلي: 30/34/39-
الدمام: 9565 13 833 00966 (0)
البريد الإلكتروني: M.Zreik@eajb.com.sa

سوريا

مؤسسة دلال للمعدات الكهربائية
دمشق. شارع البرامكة - شارع بن عامر
هاتف: +963112241006 أو 00963112241009
الجوال: 00963991141005
البريد الإلكتروني: rita.dallal@hotmail.com

تونس

روبرت بوش تونس ش.ذ.م.م.
7 زنفة ابن بطوطة Z.I. سان جوبان
مقرين رياض
2014 ابن عروس
هاتف: +216 71 427 496/879
فاكس: +216 71 428 621
بريد إلكتروني: sav.outillage@tn.bosch.com

الإمارات العربية المتحدة

المركزية للسيارات والمعدات،
صندوق بريد 26255، دبي
دبي: 3090920/3090930 4 (0) 00971
أبو ظبي: 4017745 2 (0) 00971
الشارقة: 5932777 6 (0) 00971
العين: 7157419 3 (0) 00971
البريد الإلكتروني:
Mallappa.Madari@centralmotors.ae

اليمن

مؤسسة أبو الرجال التجارية
صنعاء، شارع الزبيرى. أمام مبنى البرلمان الجديد
هاتف: +967-1-202010
فاكس: +967-1-471917
بريد إلكتروني: /tech-tools@abualrejal.com
yahya@abualrejal.com

النقل

تخضع مراكز إيونات الليثيوم المركبة لأحكام قانون
المواد الخطيرة. يسمح للمستخدم أن يقوم بنقل
المركب على الطرقات دون التقيد بأية شروط
إضافية.

عندما يتم إرسالها عن طريق طرف آخر (مثلاً: الشحن
الجوي أو شركة شحن)، يتوجب التقيد بشروط خاصة
بصدد التغليف ووضع العلامات. ينبغي استشارة خبير
متخصص بنقل المواد الخطيرة عندما يرغب بتحضير
المركب المراد شحنه في هذه الحالة.

لا تقوم بشفن المراكم إلا إذا كان هيكلها الخارجي سليم. قم بتغطية الملامسات المكشوفة ن بلاصقات، و قم بتغليف المرمك بحيث لا يتحرك في الطرد. يرجى أيضا مراعاة التشريعات المحلية المتعلقة إن وجدت.

التخلص من العدة الكهربائية

يجب التخلص من العدة الكهربائية والمركم والتوابع والتغليف بطريقة صديقة للبيئة عن طريق النفايات القابلة لإعادة التصنيع.



لا تلق العدة الكهربائية والمراكم/البطاريات ضمن النفايات المنزلية!



المراكم/البطاريات:

مراكم أيونات الليثيوم:

يرجى مراعاة الإرشادات الواردة في جزء النقل (انظر „النقل“، الصفحة 82).

مناسب برای محیط باز، خطر برق گرفتگی را کم می کنند.

◀ در صورت لزوم کار با ابزار برقی در محیط و اماکن مرطوب، باید از یک کلید حفاظتی جریان خطا و نشستی زمین (کلید قطع کننده اتصال با زمین) استفاده کنید. استفاده از کلید حفاظتی جریان خطا و نشستی زمین خطر برق گرفتگی را کاهش می دهد.

رعایت ایمنی اشخاص

◀ حواس خود را خوب جمع کنید، به کار خود دقت کنید و با فکر و هوشیاری کامل با ابزار برقی کار کنید. در صورت خستگی و یا در صورتی که مواد مخدر، الکل و دارو استفاده کرده‌اید، با ابزار برقی کار نکنید. یک لحظه بی توجهی هنگام کار با ابزار برقی، میتواند جراثم های شدیدی به همراه داشته باشد.

◀ از تجهیزات ایمنی شخصی استفاده کنید. همواره از عینک ایمنی استفاده نمایید.

استفاده از تجهیزات ایمنی مانند ماسک ضد گرد و غبار، کفشهای ایمنی ضد لغزش، کلاه ایمنی و گوشی محافظ متناسب با نوع کار با ابزار برقی، خطر مجروح شدن را کاهش میدهد.

◀ مواظب باشید که ابزار برقی بطور ناخواسته بکار نیفتد. قبل از وارد کردن دوشاخه دستگاه در پریز برق، اتصال آن به باتری، برداشتن آن و یا حمل دستگاه، باید دقت کنید که ابزار برقی خاموش باشد. در صورتی که هنگام حمل دستگاه انگشت شما روی دکمه قطع و وصل باشد و یا دستگاه را در حالت روشن به برق بزنید، ممکن است سوانع کاری پیش آید.

◀ قبل از روشن کردن ابزار برقی، همه ابزارهای تنظیم کننده و آپارها را از روی دستگاه بردارید. ابزار و آپارهایی که روی بخش های چرخنده دستگاه قرار دارند، میتوانند باعث ایجاد جراثم شوند.

◀ وضعیت بدن شما باید در حالت عادی قرار داشته باشد. برای کار جای مطمئنی برای خود انتخاب کرده و تعادل خود را همواره حفظ کنید. به این ترتیب میتوانید ابزار برقی را در وضعیتهای غیر منتظره بهتر تحت کنترل داشته باشید.

◀ لباس مناسب بپوشید. از پوشیدن لباسهای گشاد و حمل زینت آلات خودداری کنید. موها و لباس خود را از بخشهای در حال چرخش دستگاه دور نگه دارید. لباسهای گشاد، موی بلند و زینت آلات ممکن است در قسمتهای در حال چرخش دستگاه گیر کنند.

◀ در صورتی که تجهیزاتی برای اتصال وسائل مکش گرد و غبار و یا وسیله جمع کننده گرد و غبار ارائه شده است، باید مطمئن شوید که این وسائل درست نصب و استفاده می شوند. استفاده از وسائل مکش گرد و غبار مصونیت شما را در برابر گرد و غبار زیاده تر میکند.

◀ آشنایی با ابزار به دلیل کار کردن زیاد با آن نباید باعث سهل انگاری شما و نادیده گرفتن اصول ایمنی شود. بی دقتی ممکن است باعث بروز جراحاتی در عرض کسری از ثانیه شود.

فارسی

دستورات ایمنی

نکات ایمنی عمومی برای ابزارهای برقی

هشدار! کلیه هشدارها، دستورالعملها، تصاویر و مشخصات ارائه شده به همراه ابزار برقی را مطالعه کنید. اشتباهات ناشی از عدم رعایت این دستورات ایمنی ممکن است باعث برق گرفتگی، سوختگی و یا سایر جراثم های شدید شود.

کلیه هشدارهای ایمنی و راهنماییها را برای آینده خوب نگهداری کنید. عبارت «ابزار برقی» در هشدارها به ابزارهایی که به پریز برق متصل میشوند (با سیم برق) و یا ابزارهای برقی باتری دار (بدون سیم برق) اشاره دارد.

ایمنی محل کار

◀ محیط کار را تمیز و روشن نگه دارید. محیطهای در هم ریخته یا تاریک احتمال بروز حادثه را افزایش میدهند.

◀ ابزار برقی را در محیطهایی که خطر انفجار وجود دارد و حاوی مایعات، گازها و بخارهای متحرکه هستند، به کار نگیرید. ابزارهای برقی چرخههایی ایجاد میکنند که میتوانند باعث آتش گرفتن گرد و غبارهای موجود در هوا شوند.

◀ هنگام کار با ابزار برقی، کودکان و سایر افراد را از دستگاه دور نگه دارید. در صورتیکه حواس شما پرت شود، ممکن است کنترل دستگاه از دست شما خارج شود.

ایمنی الکتریکی

◀ دوشاخه ابزار برقی باید با پریز برق تناسب داشته باشد. هیچگونه تغییری در دوشاخه ایجاد نکنید. مبدل دوشاخه نباید همراه با ابزار برقی دارای اتصال زمین استفاده شود. دوشاخههای اصل و تغییر داده نشده و پریزهای مناسب، خطر برق گرفتگی را کاهش میدهند.

◀ از تماس بدنی با قطعات متصل به سیم اتصال زمین مانند لوله، شوفاژ، اجاق برقی و یخچال خودداری کنید. در صورت تماس بدنی با سطوح و قطعات دارای اتصال به زمین و همچنین تماس شما با زمین، خطر برق گرفتگی افزایش می یابد.

◀ ابزارهای برقی را در معرض باران و رطوبت قرار ندهید. نفوذ آب به ابزار برقی، خطر شوک الکتریکی را افزایش میدهد.

◀ از سیم دستگاه برای مقاصد دیگر استفاده نکنید. هرگز برای حمل ابزار برقی، کشیدن آن یا خارج کردن دوشاخه از سیم دستگاه استفاده نکنید. کابل دستگاه را از حرارت، روغن، لیبهای تیز یا قطعات متحرک دور نگه دارید. کابلهای آسیب دیده و یا گره خورده خطر شوک الکتریکی را افزایش میدهند.

◀ هنگام استفاده از ابزار برقی در محیطهای باز، تنها از کابل رابطی استفاده کنید که برای محیط باز نیز مناسب باشد. کابل های رابط

- شوند. ایجاد اتصالی بین دو قطب باتری (ترمینالهای باتری) میتواند باعث سوختگی و ایجاد حریق شود.
- ◀ استفاده بی رویه از باتری میتواند باعث خروج مایعات از آن شود؛ از هر گونه تماس با این مایعات خودداری کنید. در صورت تماس اتفاقی با آن، دست خود و یا محل تماس را با آب بشوئید. در صورت آلوده شدن چشم با این مایع، باید به پزشک مراجعه کنید. مایع خارج شده از باتری میتواند باعث التهاب پوست و سوختگی شود.
 - ◀ هرگز از باتری یا ابزار آسیب دیده یا دست کاری شده استفاده نکنید. باتریهای آسیب دیده ممکن است کارکرد غیر منتظرهای داشته باشند و منجر به آتش سوزی، انفجار یا جراحت شوند.
 - ◀ باتری یا ابزار را در معرض آتش یا دمای زیاد قرار ندهید. قرار گرفتن در معرض آتش یا دمای بالاتر از 130 درجه سانتیگراد میتواند باعث انفجار شود.
 - ◀ همه راهنماییهای مربوط به شارژ را رعایت کنید و باتری یا ابزار را خارج از محدوده دمای تعریف شده در دستورات شارژ نکنید. شارژ کردن نادرست یا در دمای خارج از محدوده تعریف شده ممکن است به باتری صدمه بزند و خطر آتش سوزی را افزایش دهد.
- سرویس**
- ◀ برای تعمیر ابزار برقی فقط به متخصصین حرفهای رجوع کنید و از قطعات یدکی اصل استفاده نمایید. این باعث خواهد شد که ایمنی دستگاه شما تضمین گردد.
 - ◀ هرگز باتریهای آسیب دیده را تعمیر نکنید. باتری باید تنها توسط متخصصین مجاز شرکت تعمیر شوند.
- نکات ایمنی برای دریل ها و پیچ گوشتی ها**
- دستورالعملهای ایمنی برای انواع عملیات**
- ◀ هنگام کار با دریل ضربهای از گوشی ایمنی استفاده کنید. قرار گرفتن در معرض سر و صدا، میتواند به شنوایی آسیب برساند.
 - ◀ چنانچه هنگام انجام کار، امکان تماس متعلقات برش یا بستها با سیمهای برق غیر قابل رؤیت وجود داشته باشد، باید ابزار برقی را از محل دستگیره و سطوح عایق آن بگیریید. تماس متعلقات برش یا بستها با سیم حامل جریان برق، میتواند جریان برق را به بخشهای فلزی دستگاه نیز انتقال دهد و باعث برق گرفتگی شود.
 - ◀ دستورالعملهای ایمنی برای هنگام استفاده از متهای بلند
 - ◀ هرگز دستگاه را با سرعت بیشتر از حداکثر سرعت مجاز مته به کار نگیرید. در سرعتهای بالاتر، ممکن است مته هنگام چرخش در حالت آزاد و بدون تماس با قطعه کار کج شود و باعث وارد آمدن جراحت گردد.

- استفاده صحیح از ابزار برقی و مراقبت از آن**
- ◀ از وارد کردن فشار زیاد روی دستگاه خودداری کنید. برای هر کاری، از ابزار برقی مناسب با آن استفاده کنید. بکار گرفتن ابزار برقی مناسب باعث میشود که بتوانید از توان دستگاه بهتر و با اطمینان بیشتر استفاده کنید.
 - ◀ در صورت ایراد در کلید قطع و وصل ابزار برقی، از دستگاه استفاده نکنید. ابزار برقی که نمی توان آنها را قطع و وصل کرد، خطرناک بوده و باید تعمیر شوند.
 - ◀ قبل از تنظیم ابزار برقی، تعویض متعلقات و یا کنار گذاشتن آن، دوشاخه را از برق بکشید و یا باتری آنرا خارج کنید. رعایت این اقدامات پیشگیری ایمنی از راه افتادن ناخواسته ابزار برقی جلوگیری می کند.
 - ◀ ابزار برقی را در صورت عدم استفاده، از دسترس کودکان دور نگه دارید و اجازه ندهید که افراد ناوارد و یا اشخاصی که این دفترچه راهنما را نخواندهاند، با این دستگاه کار کنند. قرار گرفتن ابزار برقی در دست افراد ناوارد و بی تجربه خطرناک است.
 - ◀ از ابزار برقی و متعلقات خوب مراقبت کنید. مواظب باشید که قسمت های متحرک دستگاه خوب کار کرده و گیر نکنند. همچنین دقت کنید که قطعات ابزار برقی شکسته و یا آسیب دیده نباشند. قطعات آسیب دیده را قبل از شروع به کار تعمیر کنید. علت بسیاری از سوانح کاری، عدم مراقبت کامل از ابزارهای برقی می باشد.
 - ◀ ابزار برش را تیز و تمیز نگه دارید. ابزار برشی که خوب مراقبت شده و از لبه های تیز برخوردار است، کمتر در قطعه کار گیر کرده و بهتر قابل هدایت است.
 - ◀ ابزار برقی، متعلقات، متهای دستگاه و غیره را مطابق دستورات این جزوه راهنما به کار گیرید و به شرایط کاری و نوع کار نیز توجه داشته باشید. استفاده از ابزار برقی برای عملیاتی به جز مقاصد در نظر گرفته شده، میتواند به بروز شرایط خطرناک منجر شود.
 - ◀ دستها و سطوح عایق را همواره خشک، تمیز و عاری از روغن و گریس نگه دارید. دسته های لغزنده مانع ایمنی و کنترل در کار در شرایط غیر منتظره هستند.
 - ◀ مراقبت و طرز استفاده از ابزارهای شارژی
 - ◀ باتریها را منحصراً توسط شارژرهایی که توسط سازنده توصیه شدهاند، شارژ کنید. در صورتی که برای شارژ باتری، آنرا در شارژری قرار دهید که برای آن باتری ساخته نشده است، خطر آتش سوزی وجود دارد.
 - ◀ در ابزارهای برقی فقط از باتریهایی استفاده کنید که برای آن نوع ابزار برقی در نظر گرفته شدهاند. استفاده از باتریهای متفرقه میتواند منجر به بروز جراحت و حریق گردد.
 - ◀ در صورت عدم استفاده از باتری باید آنرا از گیره های فلزی، سکه، کلید، میخ، پیچ و دیگر وسائل کوچک فلزی دور نگه دارید، زیرا این وسائل ممکن است باعث ایجاد اتصالی

محفوظ بدارید. خطر اتصالی و انفجار وجود دارد.

◀ در صورت بلوکه شدن ابزار برقی، آن را خاموش کنید. نسبت به عکسالعملهای شدیدی که منجر به ضربه برگشتی می شوند، آمادگی داشته باشید. چنانچه فشار زیادی به ابزار برقی وارد شود یا در قطعکار گیر کند، ابزار برقی بلوکه می شود.

توضیحات محصول و کارکرد

همه دستورات ایمنی و راهنماییها را

بخوانید. اشتباهات ناشی از عدم رعایت این دستورات ایمنی ممکن است باعث برگرفتگی، سوختگی و یا سایر جراحات های شدید شود.



به تصویرهای واقع در بخشهای اول دفترچه راهنما توجه کنید.

موارد استفاده از دستگاه

این ابزار برقی برای پیچکاری اعم از باز و بسته کردن پیچها و همچنین برای دریل کاری در چوب، فلزات، سرامیک و پلاستیک مناسب است. GSB بطور خاص برای سوراخکاری چکشی در آجر، ساختارهای آجری و سنگ در نظر گرفته شده است.

تصاویر اجزاء دستگاه

شماره های اجزاء دستگاه که در تصویر مشاهده میشود، مربوط به شرح ابزار برقی می باشد که تصویر آن در این دفترچه آمده است.

- (1) ابزارگیر
- (2) سه نظام اتوماتیک
- (3) بوش قفل کننده (GSR 12V-35 HX)
- (4) حلقه تنظیم انتخاب گشتاور
- (5) حلقه تنظیم انتخاب نوع عملکرد (GSB)
- (6) کلید انتخاب سرعت
- (7) کلید تغییر جهت چرخش
- (8) دکمه آزاد سازی قفل باتری^(A)
- (9) باتری قابل شارژ^(A)
- (10) کلید روشن/خاموش
- (11) نشانگر وضعیت شارژ باتری قابل شارژ
- (12) لامپ "PowerLight"
- (13) دسته (دارای روکش عایق)
- (14) سر پیچگوشی^(A)
- (15) نگهدارنده عمومی مته^(A)
- (16) گیره رکابی نگهدارنده^(A)
- (17) نگهدارنده مته^(A)
- (18) درپوش رنگی^(A)

(A) کلیه متعلقاتی که در تصویر و یا در متن آمده است، بطور معمول همراه دستگاه ارائه نمی شود. لطفا لیست کامل متعلقات را از فهرست برنامه متعلقات اقتباس نمایید.

◀ دریل کاری را همیشه هنگامی که مته با قطعه کار در تماس است و با سرعت پایین آغاز کنید. در سرعتهای بالاتر، ممکن است مته هنگام چرخش در حالت آزاد و بدون تماس با قطعه کار کج شود و باعث وارد آمدن جراحت گردد.

◀ فشار را فقط هم راستا با مته وارد کنید و از وارد کردن فشار زیاد خودداری نمایید. ممکن است مته کج شود و باعث ایجاد شکستگی یا از دست رفتن کنترل و در نتیجه وارد آمدن جراحت گردد.

سایر راهنمایی های ایمنی

◀ ابزار برقی را محکم بگیرید. هنگام سفت و باز کردن پیچها ممکن است گشتاورهای بازگشتی بالایی به طور موقت ایجاد شوند.

◀ قطعه کار را محکم کنید. در صورتیکه قطعه کار به وسیله تجهیزات نگهدارنده و یا بوسیله گیره محکم شده باشد، قطعه کار مطمئن تر نگه داشته میشود، تا اینکه بوسیله دست نگهداشته شود.

◀ برای پیدا کردن لوله ها و سیم های پنهان موجود در ساختمان و محدوده کار، از یک دستگاه ردیاب مخصوص برای یافتن لوله ها و سیمهای تأسیسات استفاده کنید و یا با شرکت های کارهای تأسیسات ساختمان و خدمات مربوطه تماس بگیرید. تماس با کابل و سیمهای برق ممکن است باعث آتشسوزی و یا برق گرفتگی شود. ایراد و آسیب دیدگی لوله گاز میتواند باعث انفجار شود. سوراخ شدن لوله آب باعث ایجاد خسارت میشود.

◀ قبل از کنار گذاشتن ابزار برقی صبر کنید تا دستگاه بطور کامل از کار و حرکت بایستد. ابزار ممکن است به قطعه کار گیر کرده و کنترل ابزار برقی از دست شما خارج شود.

◀ در صورتیکه باتری آسیب دیده باشد و یا از آن بطور بی رویه استفاده شود، ممکن است از باتری بخارهایی بلند شود. باتری ممکن است آتش بگیرد یا منفجر شود. در این حالت هوای محیط را تازه کنید؛ اگر احساس ناراحتی کردید، به پزشک مراجعه نمایید. استنشاق این بخارها ممکن است به مجاری تنفسی شما آسیب برساند.

◀ باتری را باز نکنید. خطر اتصال کوتاه وجود دارد.

◀ بوسیله ی اشیاء تیز مانند میخ یا پیچگوشی یا تأثیر نیروی خارجی ممکن است باتری آسیب ببیند. ممکن است اتصالی داخلی رخ دهد و باتری آتش بگیرد، دود کند، منفجر شود یا بیش از حد داغ گردد.

◀ تنها از باتری برای محصولات تولیدی شرکت استفاده کنید. فقط در اینصورت باتری در برابر خطر افعال فشار بیش از حد محافظت میشود.

باتری را در برابر حرارت، از جمله در برابر تابش مداوم خورشید و همچنین در برابر آتش، آلودگی، آب و رطوبت



مشخصات فنی

GSR 12V-35 HX	GSR 12V-35	GSB 12V-35	پیچگوشتی شارژی	
3 601 JJ9 1..	3 601 JH8 0..	3 601 JJ9 0..		شماره فنی
12	12	12	V=	ولتاژ نامی
				تعداد دور در حالت بدون بار ^(A)
0-460	0-460	0-460	⁻¹ min	- سرعت 1
0-1750	0-1750	0-1750	⁻¹ min	- سرعت 2
-	-	26 250	⁻¹ min	تعداد ضربه ^(A)
35/20	35/20	35/20	Nm	حداکثر گشتاور پیچکاری سخت/نرم بر اساس ISO 5393 ^(A)
				حداکثر قطر سوراخکاری (سرعت 1/2)
-	-	10	mm	- ساختار آجری
10	10	10	mm	- فولاد
32	32	32	mm	- چوب
-	0,8-10	0,8-10	mm	دامنه مهار سه نظام
6,35 ¼"	-	-	mm	ابزارگیر
8	8	8	mm	حداکثر قطر پیچ ها
0,75-1,0	0,93-1,2	1,0-1,2	kg	وزن مطابق استاندارد EPTA-Procedure 01:2014 ^(A)
0 ... +35	0 ... +35	0 ... +35	°C	دمای توصیه شده محیط هنگام شارژ
-20 ... +50	-20 ... +50	-20 ... +50	°C	دمای مجاز محیط هنگام کار ^(B) و هنگام انبار کردن
GBA 12V...	GBA 12V...	GBA 12V...		باتری های قابل شارژ توصیه شده
GAL 12... GAX 18...	GAL 12... GAX 18...	GAL 12... GAX 18...		شارژرهای توصیه شده

(A) بسته به نوع باتری کاربردی
(B) توان محدود برای دمای °C < 0

نصب

◀ قبل از انجام هر گونه کاری با ابزار برقی (از جمله سرویس، تعویض ابزار و غیره) و همچنین به هنگام حمل و نقل و یا در انبار نگهداری کردن، باتری را از داخل ابزار برقی خارج کنید. در صورت تماس اتفاقی با کلید قطع و وصل، خطر آسیب دیدگی وجود دارد.

نحوه شارژ کردن باتری

◀ تنها شارژرهای ذکر شده در مشخصات فنی را بکار برید. تنها این دستگاه های شارژ با باتری های لیتیوم-یونی (Li-Ion) ابزار برقی شما منطبق میباشند.

نکته: باتری با شارژ نسبی ارسال می شود. برای دست یافتن به توان کامل باتری، قبل از بکار گیری آن برای اولین بار باید شارژ باتری بطور کامل در دستگاه شارژ تکمیل شود.

باتری های لیتیوم-یونی (Li-Ion) را میتوان همه وقت شارژ نمود، بدون اینکه از طول عمر آن کاسته شود. قطع کردن جریان شارژ آسیبی به باتری نمیرساند.

باتری های لیتیوم-یونی دارای سیستم حفاظت الکترونیک "Electronic Cell Protection (ECP)" بوده و در برابر خالی شدن حفاظت می شوند. اگر باتری خالی شود، ابزار برقی از طریق کلید حفاظتی بطور اتوماتیک خاموش میشود و دستگاه دیگر حرکت نمیکند.

◀ پس از خاموش شدن اتوماتیک ابزار برقی، از فشار دادن مجدد کلید قطع و وصل خودداری کنید. این میتواند باعث آسیب دیدن باتری شود.

به نکات مربوط به نحوه از رده خارج کردن باتری توجه کنید.

خارج کردن باتری قابل شارژ (رجوع کنید به تصویر A)

برای برداشتن و خارج کردن باتری (9)، نخست دکمه آزاد کننده قفل باتری (8) را فشار دهید و با

طرز کار با دستگاه

راه اندازی و نحوه کاربرد دستگاه

جاگذاری باتری

نکته: استفاده از از باتریهای نامناسب با ابزار اندازهگیری ممکن است منجر به بروز خطا در عملکرد یا آسیب دیدگی ابزار اندازهگیری شود.
کلید انتخاب جهت چرخش (7) را به وسط برانید تا از روشن شدن ناخواسته جلوگیری کنید. باتری شارژ شده (9) را در دستگیره قرار دهید تا به طور محسوس جا بیفتد و همسطح با دستگیره شود.

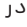
تنظیم جهت چرخش (رجوع کنید به تصویر D)


توسط دکمه تعویض جهت چرخش (7) می توان جهت چرخش ابزار برقی را تغییر داد. هنگامی که کلید قطع و وصل (10) فشرده شده است، این امر ممکن نیست.

گردش به راست: برای سوراخکاری و چرخاندن پیچ ها، کلید تغییر جهت چرخش (7) را تا انتها به چپ فشار دهید.

چپ گرد: برای شل کردن یا پیچاندن پیچ ها، کلید تغییر جهت چرخش (7) را تا انتها به راست فشار دهید.

نحوه انتخاب گشتاور

توسط رینگ تنظیم انتخاب از پیش گشتاور (4) می توان گشتاور لازم را در 20 درجه انتخاب کرد. به محض اینکه پیچ همسطح با قطعه کار شود یا گشتاور تنظیم شده بدست آید، در صورت تنظیم صحیح، ابزار متوقف می شود. در حالت  کلاج ایمنی غیر فعال است، مثلا هنگام سوراخکاری.

برای بیرون کشیدن پیچ ها یک درجه بالاتر را انتخاب کنید یا روی نماد  بگذارید.

انتخاب مکانیکی دنده

◀ **کلید تغییر جهت چرخش (6) را هنگام متوقف بودن دستگاه فعال کنید.**

با کلید انتخاب دنده (6) می توان 2 محدوده سرعت را از پیش تنظیم کرد.

دنده I:

محدوده سرعت کم برای پیچ کردن و یا کار با مته قطور برای سوراخهای بزرگ.

دنده II:

محدوده سرعت بالا، برای کار با مته های کم قطر.

تنظیم نوع عملکرد

سوراخکاری



حلقه تنظیم انتخاب گشتاور (4) را روی علامت "سوراخکاری" تنظیم کنید.

GSB

حلقه تنظیم انتخاب نوع عملکرد (5) را روی علامت "سوراخکاری" تنظیم کنید.

پیچکاری



حلقه تنظیم انتخاب گشتاور (4) را روی گشتاور دلخواه تنظیم کنید.

کشیدن باتری بطرف پایین آنرا از داخل ابزار برقی خارج کنید. برای این کار از اعمال فشار خودداری کنید.

تعویض ابزار

◀ **قبل از انجام هر گونه کاری با ابزار برقی (از جمله سرویس، تعویض ابزار و غیره) و همچنین به هنگام حمل و نقل و یا در انبار نگهداری کردن، باتری را از داخل ابزار برقی خارج کنید.** در صورت تماس اتفاقی با کلید قطع و وصل، خطر آسیب دیدگی وجود دارد.

قرار دادن ابزار مورد استفاده: GSR 12V-35 HX (رجوع کنید به تصویر C)

بوش قفل کننده (3) را به عقب برانید، ابزار مورد استفاده را تا انتها در ابزارگیر (1) برانید و بوش قفل کننده (3) را دوباره رها کنید تا ابزار مورد استفاده قفل شود.

لطفاً توجه داشته باشید که این قفل در کشورهای مربوطه، برای بزرگترین ابعاد در ابزارهای مورد استفاده مناسب است.

قرار دادن ابزار مورد استفاده: GSB 12V-35 (رجوع کنید به تصویر B)

سه نظام سریع (2) را با چرخاندن در جهت 1 باز کنید تا ابزار قرارگیرد. ابزار را جا گذاری کنید.

بوش نگهدارنده سه نظام مهار سریع (2) را محکم با دست در جهت 2 بچرخانید. اینگونه سه نظام به طور اتوماتیک قفل می شود.

قفل هنگامی باز میشود، که بخواهید برای برداشتن ابزار، سه نظام را در جهت مخالف بچرخانید.

خارج کردن ابزار مورد استفاده: GSR 12V-35 HX

بوش قفل کننده (3) را به عقب برانید و ابزار مورد استفاده را از ابزارگیر (1) خارج کنید.

مکش گرد، براده و تراشه

گرد و غبار موادی مانند رنگ های دارای سرب، بعضی از چوب ها، مواد معدنی و فلزات میتوانند برای سلامتی مضر باشند. دست زدن و یا تنفس کردن گرد و غبار ممکن است باعث بروز آلرژی و یا بیماری مجاری تنفسی شخص استفاده کننده و یا افرادی که در آن نزدیکی میباشند، بشود.

گرد و غبارهای مفضوصی مانند گرد و غبار درخت بلوط و یا درخت راش سرطان زا هستند، بخصوص ترکیب آنها با سایر موادی که برای کار بر روی چوب (کرومات، مواد برای محافظت از چوب) بکار برده میشوند. فقط افراد متخصص مجازند با موادی که دارای آزیست میباشند کار کنند.

- توجه داشته باشید که محل کار شما از تهویه هوای کافی برخوردار باشد.

- توصیه میشود از ماسک تنفسی ایمنی با درجه فیلتر P2 استفاده کنید.

به قوانین و مقررات معتبر در کشور خود در رابطه با استفاده از مواد و قطعات کاری توجه کنید.

◀ **از تجمع گرد و غبار در محل کار جلوگیری کنید.** گرد و غبار می توانند به آسانی مشتعل شوند.

راهنمایهای عملی

◀ **ابزار برقی را تنها در حالت خاموش روی پیچ و یا مهره قرار دهید.** امکان لغزش ابزار در حال چرخش وجود دارد.

پس از کار طولانی با تعداد لرزش پایین بایستی ابزار برقی جهت خنک شدن حدود 3 دقیقه با بیشترین تعداد لرزش بدون بار کار کند.

هنگام سوراخکاری در فلز تنها از متهای HSS بینقص و تیزشده (HSS=برش سریع و پرتوان فولادی) استفاده کنید. لیست ابزار و متعلقات شرکت **Bosch** تضمین کننده بهترین کیفیت ابزار میباشد.

پیش از پیچ کردن پیچ های بزرگ و بلند داخل قطعات سخت، باید نخست یک سوراخ به قطر مغزی رزوه پیچ و به اندازه 2/3 طول پیچ داخل قطعه کار ایجاد کنید.

گیره رکابی نگهدارنده (رجوع کنید به تصویر E)

با استفاده از گیره رکابی نگهدارنده (16) می توانید ابزار برقی را بعنوان مثال به یک تسمه یا به کمربند متصل کنید. در این صورت هر دو دست شما آزاد است و در صورت لزوم، ابزار برقی در دسترس شما است.

نگهدارنده مته (رجوع کنید به تصویر F)

سر پیچگوشی را می توان جهت نگهداری در نگهدارنده مته (17) وارد کرد.

درپوش رنگی (رجوع کنید به تصویر G)

درپوش رنگی (18) را تنها زمانی بکار برید که گیره بند رکابی (16) یا نگهدارنده گل پیچ نصب نباشند.

مراقبت و سرویس

مراقبت، تعمیر و تمیز کردن دستگاه

◀ قبل از انجام هر گونه کاری با ابزار برقی (از جمله سرویس، تعویض ابزار و غیره) و همچنین به هنگام حمل و نقل و یا در انبار نگهداری کردن، باتری را از داخل ابزار برقی خارج کنید. در صورت تماس اتفاقی با کلید قطع و وصل، خطر آسیب دیدگی وجود دارد.

◀ **ابزار الکتریکی و شبارهای تهویه آنرا تمیز نگاه دارید، تا ایمنی شما در کار تضمین گردد.**

خدمات و مشاوره با مشتریان

خدمات مشتری، به سئوالات شما درباره تعمیرات، سرویس و همچنین قطعات یدکی پاسخ خواهد داد. نقشه های سه بعدی و اطلاعات مربوط به قطعات یدکی را در تارنمای زیر میابید:

www.bosch-pt.com

گروه مشاوره به مشتریان Bosch با کمال میل به سئوالات شما درباره محصولات و متعلقات پاسخ می دهند.

GSB

حلقه تنظیم انتخاب نوع عملکرد (5) را روی علامت "پیچکاری" تنظیم کنید. حلقه تنظیم انتخاب گشتاور (4) را روی گشتاور دلخواه تنظیم کنید.

سوراخکاری چکشی (GSB)

حلقه تنظیم انتخاب نوع عملکرد (5) را روی علامت "سوراخکاری چکشی" قرار دهید.



نحوه تنظیم تعداد ضربه/سرعت

سرعت ابزار برقی را می توان با فشردن دلخواه کلید قطع و وصل (10) تنظیم کرد.

فشار کم روی کلید قطع و وصل (10) سرعت کاهش میابد. افزایش فشار باعث افزایش سرعت و تعداد ضربه ها میشود.

نحوه روشن و خاموش کردن

برای راهاندازی ابزار برقی، کلید قطع و وصل (10) را فشار داده و آنرا در حالت فشرده نگهدارید.

برای خاموش کردن ابزار برقی، کلید قطع و وصل (10) را رها کنید.

قفل محور تمام خودکار (قفل اتوماتیک)

در صورت فشرده نبودن کلید روشن/خاموش (10) میل شفت دریل و در نتیجه ابزارگیر (1) قفل می شود.

این امر امکان بستن پیچ ها را حتی در حالت خالی بودن باتری قابل شارژ (9) یا استفاده از ابزار برقی به عنوان پیچگوشی را فراهم می سازد.

نمایشگر وضعیت شارژ باتری

نمایشگر وضعیت شارژ باتری (11) هنگام فشرده بودن نیمه یا کامل کلید قطع و وصل (10) برای چند ثانیه، وضعیت شارژ باتری را نشان می دهد و شامل سه چراغ ال ای دی سبز رنگ است.

3 ال ای دی نمایشگر وضعیت شارژ باتری (11) و لامپ (12) در صورت خارج شدن دما از محدوده دمای کاری از -20 تا +50 °C چشمک می زنند.

ظرفیت	ال ای دی
≤ 76 %	چراغ ممتد 3 x سبز
51-75 %	چراغ ممتد 2 x سبز
26-50 %	چراغ ممتد 1 x سبز
≥ 25 %	چراغ چشمک زن آهسته 1 x سبز

کلاج ایمنی وابسته به دما

در صورت استفاده اصولی، فشاری به ابزار برقی وارد نمیشود. هنگام وارد آمدن فشار بیش از حد، سیستم الکترونیکی ابزار برقی خاموش میشود تا دمای کاری مطلوب حاصل گردد.

این موقعیت با یک نور حرکتی سه ال ای دی نمایشگر وضعیت شارژ باتری (11) نشان داده می شود. در صورت رسیدن ابزار برقی به دمای کاری بهینه، ال ای دی ها خاموش می شوند.

برای هرگونه سؤال و یا سفارش قطعات یدکی، حتماً شماره فنی 10 رقمی کالا را مطابق برچسب روی ابزار برقی اطلاع دهید.

ایران

روبرت بوش ایران - شرکت بوش تجارت پارس
میدان ونک، خیابان شهید خدای، خیابان آفتاب
ساختمان مادیران، شماره 3، طبقه سوم.
تهران 1994834571
تلفن: 9821+ 42039000

حمل دستگاه

باتریهای لیتیوم-یونی تابع مقررات حمل کالاهای پر خطر می باشند. کاربر می تواند باتریها را بدون استفاده از روکش در خیابان حمل کند.
در صورت ارسال توسط شخص ثالث (مانند: حمل و نقل هوایی یا زمینی) باید تمهیدات مربوط به بسته بندی و علامتگذاری مورد توجه قرار گیرد. در اینصورت باید حتما جهت آماده سازی قطعه ارسالی به کارشناس حمل کالاهای پر خطر مراجعه کرد.
باتریها را فقط در صورتی ارسال کنید که بدنه آنها آسیب ندیده باشد. اتصالات (کنتاکتهای) باز را بپوشانید و باتری را طوری بسته بندی کنید که در بسته بندی تکان نخورد. در این باره لطفاً به مقررات و آیین نامه های ملی توجه کنید.

از رده خارج کردن دستگاه

ابزارهای برقی، باتری ها، متعلقات و بسته بندی ها، باید طبق مقررات حفظ محیط زیست از رده خارج و بازیافت شوند.
ابزار برقی و باتری ها/ باتری های قابل شارژ را داخل زباله دان خانگی نیندازید!



باتریهای شارژی/قلمی:

لیتیوم-یونی:

لطفاً به تذکرات بخش (رجوع کنید به „حمل دستگاه“، صفحه 90) توجه کنید.

Licenses

Copyright © 2009–2016 ARM LIMITED

All rights reserved.

Redistribution and use in source and binary forms, with or without modification, are permitted provided that the following conditions are met:

- Redistributions of source code must retain the above copyright notice, this list of conditions and the following disclaimer.
- Redistributions in binary form must reproduce the above copyright notice, this list of conditions and the following disclaimer in the documentation and/or other materials provided with the distribution.
- Neither the name of ARM nor the names of its contributors may be used to endorse or promote products derived from this software without specific prior written permission.

THIS SOFTWARE IS PROVIDED BY THE COPYRIGHT HOLDERS AND CONTRIBUTORS "AS IS" AND ANY EXPRESS OR IMPLIED WARRANTIES, INCLUDING, BUT NOT LIMITED TO, THE IMPLIED WARRANTIES OF MERCHANTABILITY AND FITNESS FOR A PARTICULAR PURPOSE ARE DISCLAIMED. IN NO EVENT SHALL THE COPYRIGHT OWNER OR CONTRIBUTORS BE LIABLE FOR ANY DIRECT, INDIRECT, INCIDENTAL, SPECIAL, EXEMPLARY, OR CONSEQUENTIAL DAMAGES (INCLUDING, BUT NOT LIMITED TO, PROCUREMENT OF SUBSTITUTE GOODS OR SERVICES; LOSS OF USE, DATA, OR PROFITS; OR BUSINESS INTERRUPTION) HOWEVER CAUSED AND ON ANY THEORY OF LIABILITY, WHETHER IN CONTRACT, STRICT LIABILITY, OR TORT (INCLUDING NEGLIGENCE OR OTHERWISE) ARISING IN ANY WAY OUT OF THE USE OF THIS SOFTWARE, EVEN IF ADVISED OF THE POSSIBILITY OF SUCH DAMAGE.

Copyright © 2015, Infineon Technologies AG

All rights reserved.

Redistribution and use in source and binary forms, with or without modification, are permitted provided that the following conditions are met:

- Redistributions of source code must retain the above copyright notice, this list of conditions and the following disclaimer.
- Redistributions in binary form must reproduce the above copyright notice, this list of conditions and the following disclaimer in the documentation and/or other materials provided with the distribution.
- Neither the name of the copyright holders nor the names of its contributors may be used to endorse or promote products derived from this software without specific prior written permission.

THIS SOFTWARE IS PROVIDED BY THE COPYRIGHT HOLDERS AND CONTRIBUTORS "AS IS" AND ANY EXPRESS OR IMPLIED WARRANTIES, INCLUDING, BUT NOT LIMITED TO, THE IMPLIED WARRANTIES OF MERCHANTABILITY AND FITNESS FOR A PARTICULAR PURPOSE ARE DISCLAIMED. IN NO EVENT SHALL THE COPYRIGHT OWNER OR CONTRIBUTORS BE LIABLE FOR ANY DIRECT, INDIRECT, INCIDENTAL, SPECIAL, EXEMPLARY, OR CONSEQUENTIAL DAMAGES (INCLUDING, BUT NOT LIMITED TO, PROCUREMENT OF SUBSTITUTE GOODS OR SERVICES; LOSS OF USE, DATA, OR PROFITS; OR BUSINESS INTERRUPTION) HOWEVER CAUSED AND ON ANY THEORY OF LIABILITY, WHETHER IN CONTRACT, STRICT LIABILITY, OR TORT (INCLUDING NEGLIGENCE OR OTHERWISE) ARISING IN ANY WAY OUT OF THE USE OF THIS SOFTWARE, EVEN IF ADVISED OF THE POSSIBILITY OF SUCH DAMAGE.