
DEWALT®

XR LI-ION

www.DEWALT.com

DCN45RN

English (**original instructions**)

4

Русский (*перевод с оригинала инструкции*)

17

Українська (*переклад з оригінальної інструкції*)

35

Fig. A

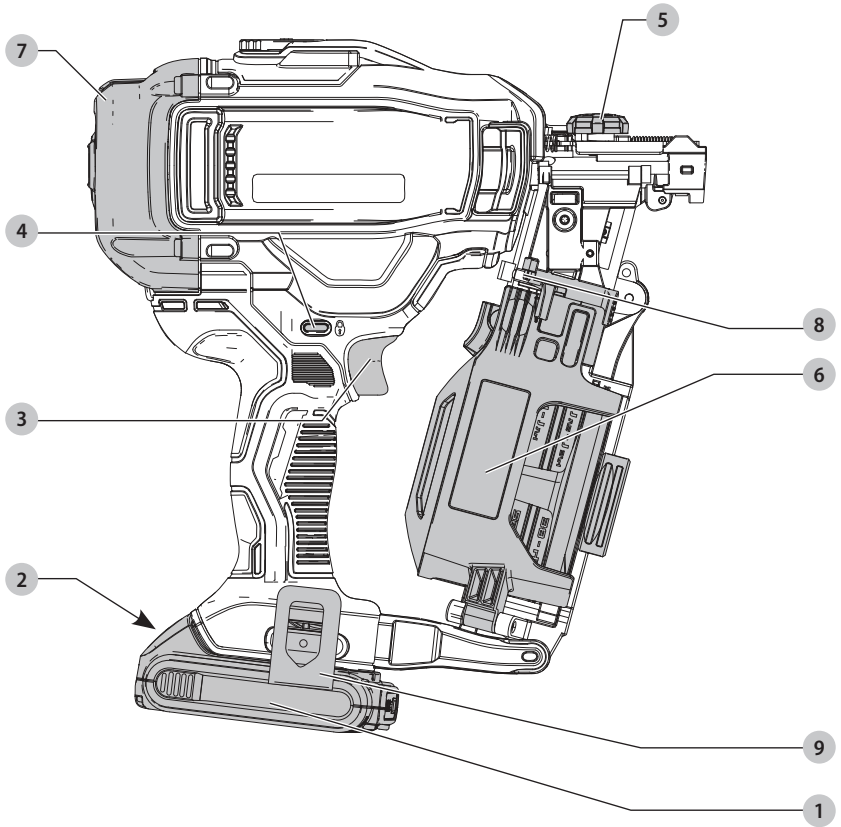


Fig. B

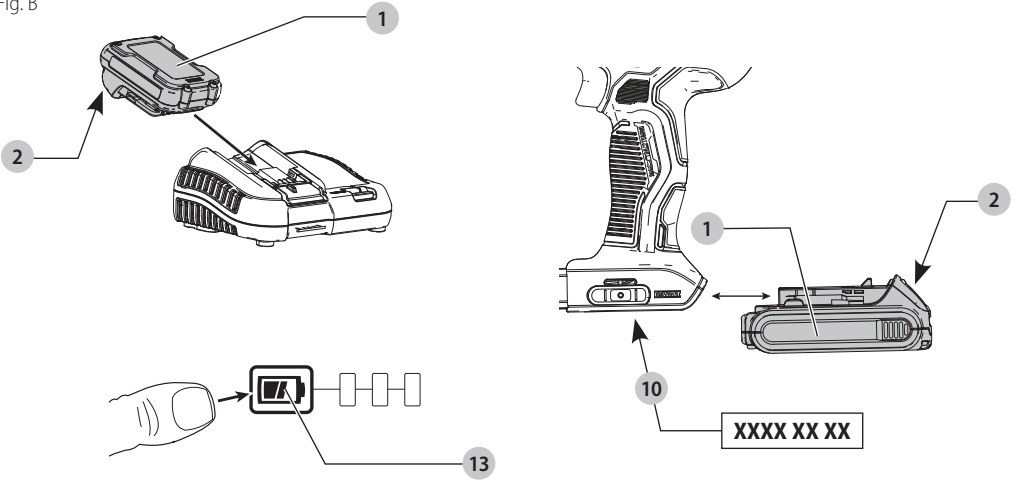


Fig. C

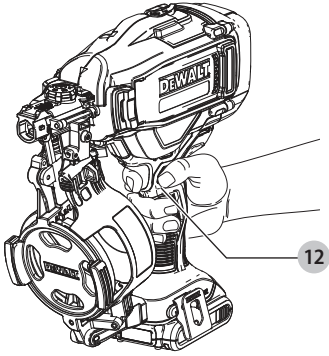


Fig. D

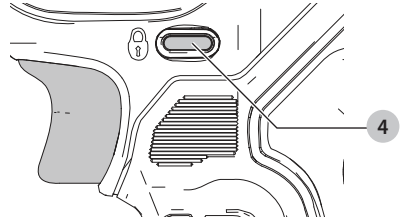


Fig. E

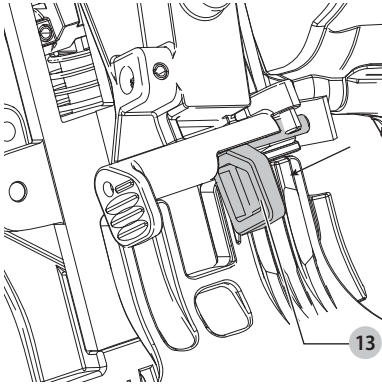


Fig. F

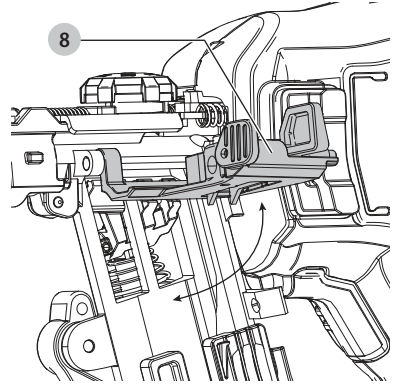


Fig. G

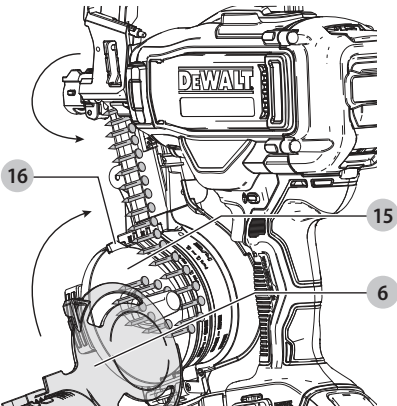


Fig. H

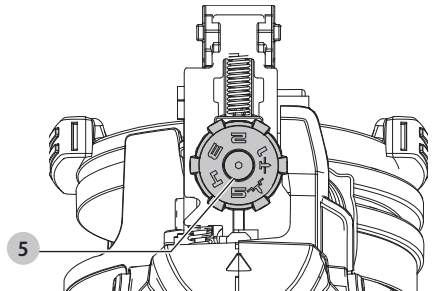


Fig. I

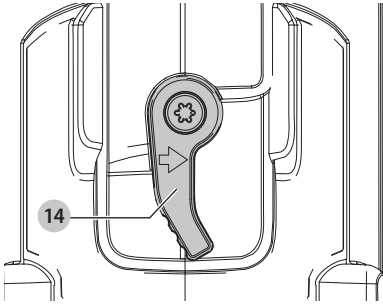


Fig. J

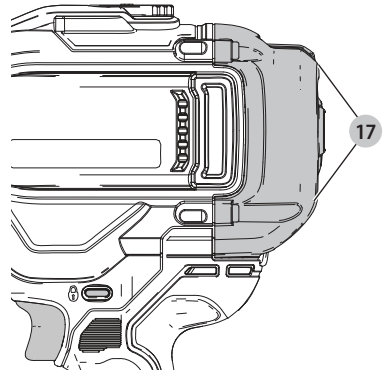


Fig. K

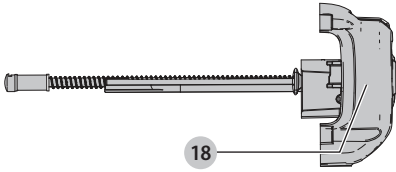


Fig. L

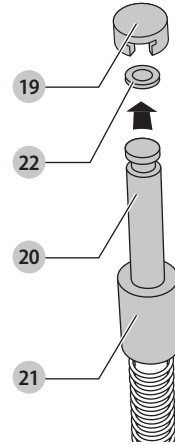


Fig. M

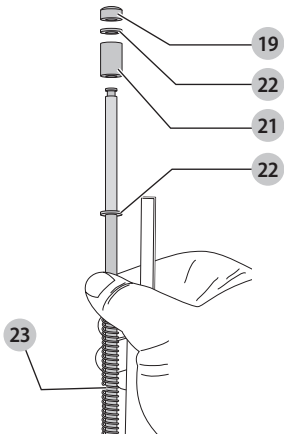
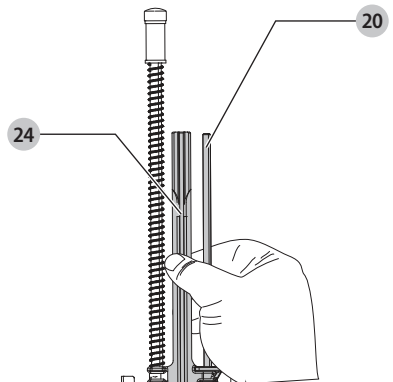


Fig. N



CORDLESS ROOFING NAILER

DCN45RN

Congratulations!

You have chosen a DEWALT tool. Years of experience, thorough product development and innovation make DEWALT one of the most reliable partners for professional power tool users.

Technical Data

		DCN45RN
Voltage	V_{DC}	18
Type		1
Battery type		Li-Ion
Actuating mode		Bump
Nail coil angles		15°
Fasteners		
length	mm	19–45
shank diameter	mm	3
crown diameter	mm	10.1
shank type		Smooth and Ring
loading capacity		120 nails
Weight (without battery pack)	kg	3.85

Noise values and/or vibration values (triax vector sum) according to EN62841-2-??:

L_{PA} (emission sound pressure level)	dB(A)	83
L_{WA} (sound power level)	dB(A)	94
K (uncertainty for the given sound level)	dB(A)	3
Vibration emission value $a_{h1} =$		
	m/s^2	< 2.5
Uncertainty K =		
	m/s^2	1.5

The vibration and/or noise emission level given in this information sheet has been measured in accordance with a standardised test given in EN62841 and may be used to compare one tool with another. It may be used for a preliminary assessment of exposure.

! **WARNING:** The declared vibration and/or noise emission level represents the main applications of the tool. However if the tool is used for different applications, with different accessories or poorly maintained, the vibration and/or noise emission may differ. This may significantly increase the exposure level over the total working period.

An estimation of the level of exposure to vibration and/or noise should also take into account the times when the tool is switched off or when it is running but not actually doing the job. This may significantly reduce the exposure level over the total working period.

Identify additional safety measures to protect the operator from the effects of vibration and/or noise such as: maintain the tool and the accessories, keep the hands warm (relevant for vibration), organisation of work patterns.

EC-Declaration of Conformity

Machinery Directive



Cordless Roofing Nailer DCN45RN

DEWALT declares that these products described under **Technical Data** are in compliance with:

2006/42/EC, EN60745-1:2009+A11:2010, EN60745-2-16:2010.

These products also comply with Directive 2014/30/EU and 2011/65/EU. For more information, please contact DEWALT at the following address or refer to the back of the manual.

The undersigned is responsible for compilation of the technical file and makes this declaration on behalf of DEWALT.

Markus Rompel
Vice-President Engineering, PTE-Europe
DEWALT, Richard-Klinger-Straße 11,
D-65510, Idstein, Germany
17.03.2020



WARNING: To reduce the risk of injury, read the instruction manual.

Definitions: Safety Guidelines

The definitions below describe the level of severity for each signal word. Please read the manual and pay attention to these symbols.



DANGER: Indicates an imminently hazardous situation which, if not avoided, **will** result in **death or serious injury**.



WARNING: Indicates a potentially hazardous situation which, if not avoided, **could** result in **death or serious injury**.



CAUTION: Indicates a potentially hazardous situation which, if not avoided, **may** result in **minor or moderate injury**.

NOTICE: Indicates a practice **not related to personal injury** which, if not avoided, **may** result in **property damage**.



Denotes risk of electric shock.



Denotes risk of fire.

Batteries				Chargers/Charge Times (Minutes)									
Cat #	V _{DC}	Ah	Weight (kg)	DCB104	DCB107	DCB112	DCB113	DCB115	DCB116	DCB117	DCB118	DCB132	DCB119
DCB546	18/54	6.0/2.0	1.05	60	270	170	140	90	80	40	60	90	X
DCB547	18/54	9.0/3.0	1.46	75*	420	270	220	135*	110*	60	75*	135*	X
DCB548	18/54	12.0/4.0	1.44	120	540	350	300	180	150	80	120	180	X
DCB181	18	1.5	0.35	22	70	45	35	22	22	22	22	22	45
DCB182	18	4.0	0.61	60/40**	185	120	100	60	60/45**	60/40**	60/40**	60	120
DCB183/B	18	2.0	0.40	30	90	60	50	30	30	30	30	30	60
DCB184/B	18	5.0	0.62	75/50**	240	150	120	75	75/60**	75/50**	75/50**	75	150
DCB185	18	1.3	0.35	22	60	40	30	22	22	22	22	22	X
DCB187	18	3.0	0.54	45	140	90	70	45	45	45	45	45	90
DCB189	18	4.0	0.54	60	185	120	100	60	60	60	60	60	120

*Date code 201811475B or later

**Date code 201536 or later

GENERAL POWER TOOL SAFETY WARNINGS



WARNING: Read all safety warnings, instructions, illustrations and specifications provided with this power tool. Failure to follow all instructions listed below may result in electric shock, fire and/or serious injury.

SAVE ALL WARNINGS AND INSTRUCTIONS FOR FUTURE REFERENCE

The term "power tool" in the warnings refers to your mains-operated (corded) power tool or battery-operated (cordless) power tool.

1) Work Area Safety

- Keep work area clean and well lit.** Cluttered or dark areas invite accidents.
- Do not operate power tools in explosive atmospheres, such as in the presence of flammable liquids, gases or dust.** Power tools create sparks which may ignite the dust or fumes.
- Keep children and bystanders away while operating a power tool.** Distractions can cause you to lose control.

2) Electrical Safety

- Power tool plugs must match the outlet. Never modify the plug in any way. Do not use any adapter plugs with earthed (grounded) power tools.** Unmodified plugs and matching outlets will reduce risk of electric shock.
- Avoid body contact with earthed or grounded surfaces, such as pipes, radiators, ranges and refrigerators.** There is an increased risk of electric shock if your body is earthed or grounded.
- Do not expose power tools to rain or wet conditions.** Water entering a power tool will increase the risk of electric shock.
- Do not abuse the cord. Never use the cord for carrying, pulling or unplugging the power tool. Keep cord away from heat, oil, sharp edges or moving parts.** Damaged or entangled cords increase the risk of electric shock.

- When operating a power tool outdoors, use an extension cord suitable for outdoor use.** Use of a cord suitable for outdoor use reduces the risk of electric shock.
- If operating a power tool in a damp location is unavoidable, use a residual current device (RCD) protected supply.** Use of an RCD reduces the risk of electric shock.

3) Personal Safety

- Stay alert, watch what you are doing and use common sense when operating a power tool. Do not use a power tool while you are tired or under the influence of drugs, alcohol or medication.** A moment of inattention while operating power tools may result in serious personal injury.
- Use personal protective equipment. Always wear eye protection.** Protective equipment such as a dust mask, non-skid safety shoes, hard hat or hearing protection used for appropriate conditions will reduce personal injuries.
- Prevent unintentional starting. Ensure the switch is in the off-position before connecting to power source and/or battery pack, picking up or carrying the tool.** Carrying power tools with your finger on the switch or energising power tools that have the switch on invites accidents.
- Remove any adjusting key or wrench before turning the power tool on.** A wrench or a key left attached to a rotating part of the power tool may result in personal injury.
- Do not overreach. Keep proper footing and balance at all times.** This enables better control of the power tool in unexpected situations.
- Dress properly. Do not wear loose clothing or jewellery. Keep your hair and clothing away from moving parts.** Loose clothes, jewellery or long hair can be caught in moving parts.
- If devices are provided for the connection of dust extraction and collection facilities, ensure these are connected and properly used.** Use of dust collection can reduce dust-related hazards.

- h) **Do not let familiarity gained from frequent use of tools allow you to become complacent and ignore tool safety principles.** A careless action can cause severe injury within a fraction of a second.

4) Power Tool Use and Care

- a) **Do not force the power tool. Use the correct power tool for your application.** The correct power tool will do the job better and safer at the rate for which it was designed.
- b) **Do not use the power tool if the switch does not turn it on and off.** Any power tool that cannot be controlled with the switch is dangerous and must be repaired.
- c) **Disconnect the plug from the power source and/or remove the battery pack, if detachable, from the power tool before making any adjustments, changing accessories, or storing power tools.** Such preventive safety measures reduce the risk of starting the power tool accidentally.
- d) **Store idle power tools out of the reach of children and do not allow persons unfamiliar with the power tool or these instructions to operate the power tool.** Power tools are dangerous in the hands of untrained users.
- e) **Maintain power tools and accessories. Check for misalignment or binding of moving parts, breakage of parts and any other condition that may affect the power tool's operation. If damaged, have the power tool repaired before use.** Many accidents are caused by poorly maintained power tools.
- f) **Keep cutting tools sharp and clean.** Properly maintained cutting tools with sharp cutting edges are less likely to bind and are easier to control.
- g) **Use the power tool, accessories and tool bits etc. in accordance with these instructions, taking into account the working conditions and the work to be performed.** Use of the power tool for operations different from those intended could result in a hazardous situation.
- h) **Keep handles and grasping surfaces dry, clean and free from oil and grease.** Slippery handles and grasping surfaces do not allow for safe handling and control of the tool in unexpected situations.

5) Battery Tool Use and Care

- a) **Recharge only with the charger specified by the manufacturer.** A charger that is suitable for one type of battery pack may create a risk of fire when used with another battery pack.
- b) **Use power tools only with specifically designated battery packs.** Use of any other battery packs may create a risk of injury and fire.
- c) **When battery pack is not in use, keep it away from other metal objects, like paper clips, coins, keys, nails, screws or other small metal objects, that can make a connection from one terminal to another.** Shorting the battery terminals together may cause burns or a fire.
- d) **Under abusive conditions, liquid may be ejected from the battery; avoid contact. If contact accidentally occurs, flush with water. If liquid**

contacts eyes, additionally seek medical help. Liquid ejected from the battery may cause irritation or burns.

- e) **Do not use a battery pack or tool that is damaged or modified.** Damaged or modified batteries may exhibit unpredictable behaviour resulting in fire, explosion or risk of injury.
- f) **Do not expose a battery pack or tool to fire or excessive temperature.** Exposure to fire or temperature above 130 °C may cause explosion.
- g) **Follow all charging instructions and do not charge the battery pack or tool outside the temperature range specified in the instructions.** Charging improperly or at temperatures outside the specified range may damage the battery and increase the risk of fire.

6) Service

- a) **Have your power tool serviced by a qualified repair person using only identical replacement parts.** This will ensure that the safety of the power tool is maintained.
- b) **Never service damaged battery packs.** Service of battery packs should only be performed by the manufacturer or authorized service providers.

Safety Instructions for Cordless Nailers

- **Always assume that the tool contains fasteners.** Careless handling of the nailer can result in unexpected firing of fasteners and personal injury.
- **Do not point the tool towards yourself or anyone nearby.** Unexpected triggering will discharge the fastener causing an injury.
- **Do not actuate the tool unless the tool is placed firmly against the workpiece.** If the tool is not in contact with the workpiece, the fastener may be deflected away from your target.
- **Keep hands and body parts away from the discharge area of the tool.** While in use NEVER grasp the tool by the magazine or canister, a mis-driven nail can exit the nose causing injury.
- **Disconnect the tool from the power source when the fastener jams in the tool.** While removing a jammed fastener, the nailer may be accidentally activated if it plugged in.
- **Do not use this nailer for fastening electrical cables.** It is not designed for electric cable installation and may damage the insulation of electric cables thereby causing electric shock or fire hazards.



WARNING: If the tool has been dropped or you suspect tool damage perform tool operation check as defined in the mode selection section of the manual. If it doesn't perform according to the manual, stop using the tool and have it serviced at an authorized DEWALT service centre.

- Always wear safety glasses.
- Always wear ear protection.
- Only use fasteners of the type specified in the manual.
- Do not use any stands for mounting the tool to a support.
- Do not disassemble or block any parts of the fastener driving tool such as the contact trip.

- Prior to each operation check that the safety and triggering mechanism is functioning properly and that all nuts and bolts are tight.
- Do not use the DCN45RN
 - when changing from one driving location to another involving the use of scaffoldings, stairs, ladders or ladder-like constructions, e.g., roof laths, etc.;
 - when closing boxes or crates;
 - when fitting transportation safety systems, e.g., on vehicles, wagons, etc.

For exemptions check your local national workplace regulations.

- Always check local workplace regulations.
- Do not use the tool as a hammer.
- Never actuate the fastener driving tool into free space.
- In the work area, carry the tool at the workplace using only one hand, and never with the trigger actuated.
- Consider the conditions in the work area. Fasteners can penetrate thin workpieces or slip off corners and edges of the work piece, and thus put people at risk.
- Do not drive fasteners close to the edge of the workpiece.
- Do not drive fasteners on top of other fasteners.

Residual Risks

The following risks are inherent to the use of these machines:

- Injuries caused by improper handling of the tool.
- Loss of control due to not gripping tool firmly.
- Muscle strain of arms and hands, especially when working overhead. Always take regular breaks when working for long periods of time.

In spite of the application of the relevant safety regulations and the implementation of safety devices, certain residual risks cannot be avoided. These are:

- Impairment of hearing.
- Risk of personal injury due to flying particles.
- Risk of burns due to accessories becoming hot during operation.
- Risk of personal injury due to prolonged use.
- Loss of control caused by recoil.
- Risk of injury caused by pinch points, sharp edges and improper handling of workpiece.
- Risk of injury caused by sharp edges when changing nails or inserting nail sticks.

Chargers

DEWALT chargers require no adjustment and are designed to be as easy as possible to operate.

Electrical Safety

The electric motor has been designed for one voltage only. Always check that the battery pack voltage corresponds to the voltage on the rating plate. Also make sure that the voltage of your charger corresponds to that of your mains.



Your DEWALT charger is double insulated in accordance with EN60335; therefore no earth wire is required.

If the supply cord is damaged, it must be replaced only by DEWALT or an authorised service organisation.

Mains Plug Replacement (U.K. & Ireland Only)

If a new mains plug needs to be fitted:

- Safely dispose of the old plug.
- Connect the brown lead to the live terminal in the plug.
- Connect the blue lead to the neutral terminal.



WARNING: No connection is to be made to the earth terminal.

Follow the fitting instructions supplied with good quality plugs. Recommended fuse: 3 A.

Using an Extension Cable

An extension cord should not be used unless absolutely necessary. Use an approved extension cable suitable for the power input of your charger (see **Technical Data**). The minimum conductor size is 1 mm²; the maximum length is 30 m.

When using a cable reel, always unwind the cable completely.

Important Safety Instructions for All Battery Chargers

SAVE THESE INSTRUCTIONS: This manual contains important safety and operating instructions for compatible battery chargers (refer to **Technical Data**).

- Before using charger, read all instructions and cautionary markings on charger, battery pack, and product using battery pack.



WARNING: Shock hazard. Do not allow any liquid to get inside charger. Electric shock may result.



WARNING: We recommend the use of a residual current device with a residual current rating of 30mA or less.



CAUTION: Burn hazard. To reduce the risk of injury, charge only DEWALT rechargeable batteries. Other types of batteries may burst causing personal injury and damage.



CAUTION: Children should be supervised to ensure that they do not play with the appliance.

NOTICE: Under certain conditions, with the charger plugged into the power supply, the exposed charging contacts inside the charger can be shorted by foreign material. Foreign materials of a conductive nature such as, but not limited to, steel wool, aluminum foil or any buildup of metallic particles should be kept away from charger cavities. Always unplug the charger from the power supply when there is no battery pack in the cavity. Unplug charger before attempting to clean.

- **DO NOT attempt to charge the battery pack with any chargers other than the ones in this manual.** The charger and battery pack are specifically designed to work together.
- **These chargers are not intended for any uses other than charging DEWALT rechargeable batteries.** Any other uses may result in risk of fire, electric shock or electrocution.
- **Do not expose charger to rain or snow.**

- **Pull by plug rather than cord when disconnecting charger.** This will reduce risk of damage to electric plug and cord.
- **Make sure that cord is located so that it will not be stepped on, tripped over, or otherwise subjected to damage or stress.**
- **Do not use an extension cord unless it is absolutely necessary.** Use of improper extension cord could result in risk of fire, electric shock, or electrocution.
- **Do not place any object on top of charger or place the charger on a soft surface that might block the ventilation slots and result in excessive internal heat.** Place the charger in a position away from any heat source. The charger is ventilated through slots in the top and the bottom of the housing.
- **Do not operate charger with damaged cord or plug—** have them replaced immediately.
- **Do not operate charger if it has received a sharp blow, been dropped, or otherwise damaged in any way.** Take it to an authorised service centre.
- **Do not disassemble charger; take it to an authorised service centre when service or repair is required.** Incorrect reassembly may result in a risk of electric shock, electrocution or fire.
- **In case of damaged power supply cord, the supply cord must be replaced immediately by the manufacturer, its service agent or similar qualified person to prevent any hazard.**
- **Disconnect the charger from the outlet before attempting any cleaning. This will reduce the risk of electric shock.** Removing the battery pack will not reduce this risk.
- **NEVER attempt to connect two chargers together.**
- **The charger is designed to operate on standard 230V household electrical power. Do not attempt to use it on any other voltage.** This does not apply to the vehicular charger.

Charging a Battery (Fig. B)

1. Plug the charger into an appropriate outlet before inserting battery pack.
2. Insert the battery pack ① into the charger, making sure the battery pack is fully seated in the charger. The red (charging) light will blink repeatedly indicating that the charging process has started.
3. The completion of charge will be indicated by the red light remaining ON continuously. The battery pack is fully charged and may be used at this time or left in the charger. To remove the battery pack from the charger, push the battery release button ② on the battery pack.

NOTE: To ensure maximum performance and life of lithium-ion battery packs, charge the battery pack fully before first use.

Charger Operation

Refer to the indicators below for the charge status of the battery pack.

Charge Indicators



*The red light will continue to blink, but a yellow indicator light will be illuminated during this operation. Once the battery pack has reached an appropriate temperature, the yellow light will turn off and the charger will resume the charging procedure. The compatible charger(s) will not charge a faulty battery pack. The charger will indicate faulty battery by refusing to light.

NOTE: This could also mean a problem with a charger.

If the charger indicates a problem, take the charger and battery pack to be tested at an authorised service centre.

Hot/Cold Pack Delay

When the charger detects a battery pack that is too hot or too cold, it automatically starts a Hot/Cold Pack Delay, suspending charging until the battery pack has reached an appropriate temperature. The charger then automatically switches to the pack charging mode. This feature ensures maximum battery pack life.

A cold battery pack will charge at a slower rate than a warm battery pack. The battery pack will charge at that slower rate throughout the entire charging cycle and will not return to maximum charge rate even if the battery pack warms.

The DCB118 charger is equipped with an internal fan designed to cool the battery pack. The fan will turn on automatically when the battery pack needs to be cooled. Never operate the charger if the fan does not operate properly or if ventilation slots are blocked. Do not permit foreign objects to enter the interior of the charger.

Electronic Protection System

XR Li-Ion tools are designed with an Electronic Protection System that will protect the battery pack against overloading, overheating or deep discharge.

The tool will automatically turn off if the Electronic Protection System engages. If this occurs, place the lithium-ion battery pack on the charger until it is fully charged.

Wall Mounting

These chargers are designed to be wall mountable or to sit upright on a table or work surface. If wall mounting, locate the charger within reach of an electrical outlet, and away from a corner or other obstructions which may impede air flow. Use the back of the charger as a template for the location of the mounting screws on the wall. Mount the charger securely using drywall screws (purchased separately) at least 25.4 mm long with a screw head diameter of 7–9 mm, screwed into wood to an optimal depth leaving approximately 5.5 mm of the screw exposed. Align the slots on the back of the charger with the exposed screws and fully engage them in the slots.

Charger Cleaning Instructions



WARNING: Shock hazard. Disconnect the charger from the AC outlet before cleaning. Dirt and grease may be removed from the exterior of the charger using a cloth or soft non-metallic brush. Do not use water or any cleaning solutions. Never let any liquid get inside the tool; never immerse any part of the tool into a liquid.

Battery Packs

Important Safety Instructions for All Battery Packs

When ordering replacement battery packs, be sure to include catalogue number and voltage.

The battery pack is not fully charged out of the carton. Before using the battery pack and charger, read the safety instructions below. Then follow charging procedures outlined.

READ ALL INSTRUCTIONS

- **Do not charge or use battery in explosive atmospheres, such as in the presence of flammable liquids, gases or dust.** Inserting or removing the battery from the charger may ignite the dust or fumes.
- **Never force battery pack into charger. Do not modify battery pack in any way to fit into a non-compatible charger as battery pack may rupture causing serious personal injury.**
- Charge the battery packs only in DEWALT chargers.
- **DO NOT splash or immerse in water or other liquids.**
- **Do not store or use the tool and battery pack in locations where the temperature may fall below 4 °C (34 °F) (such as outside sheds or metal buildings in winter), or reach or exceed 40 °C (104 °F) (such as outside sheds or metal buildings in summer).**
- **Do not incinerate the battery pack even if it is severely damaged or is completely worn out.** The battery pack can explode in a fire. Toxic fumes and materials are created when lithium-ion battery packs are burned.
- **If battery contents come into contact with the skin, immediately wash area with mild soap and water.** If battery liquid gets into the eye, rinse water over the open eye for 15 minutes or until irritation ceases. If medical attention is needed, the battery electrolyte is composed of a mixture of liquid organic carbonates and lithium salts.
- **Contents of opened battery cells may cause respiratory irritation.** Provide fresh air. If symptoms persists, seek medical attention.



WARNING: Burn hazard. Battery liquid may be flammable if exposed to spark or flame.



WARNING: Never attempt to open the battery pack for any reason. If battery pack case is cracked or damaged, do not insert into charger. Do not crush, drop or damage battery pack. Do not use a battery pack or charger that has received a sharp blow, been dropped, run over or damaged in any way (i.e., pierced with a nail, hit with a hammer, stepped on). Electric shock or electrocution

may result. Damaged battery packs should be returned to service centre for recycling.



WARNING: Fire hazard. Do not store or carry the battery pack so that metal objects can contact exposed battery terminals. For example, do not place the battery pack in aprons, pockets, tool boxes, product kit boxes, drawers, etc., with loose nails, screws, keys, etc.



CAUTION: When not in use, place tool on its side on a stable surface where it will not cause a tripping or falling hazard. Some tools with large battery packs will stand upright on the battery pack but may be easily knocked over.

Transportation



WARNING: Fire hazard. Transporting batteries can possibly cause fire if the battery terminals inadvertently come in contact with conductive materials. When transporting batteries, make sure that the battery terminals are protected and well insulated from materials that could contact them and cause a short circuit. **NOTE:** Lithium-ion batteries should not be put in checked baggage.

DEWALT batteries comply with all applicable shipping regulations as prescribed by industry and legal standards which include UN Recommendations on the Transport of Dangerous Goods; International Air Transport Association (IATA) Dangerous Goods Regulations, International Maritime Dangerous Goods (IMDG) Regulations, and the European Agreement Concerning The International Carriage of Dangerous Goods by Road (ADR). Lithium-ion cells and batteries have been tested to section 38.3 of the UN Recommendations on the Transport of Dangerous Goods Manual of Tests and Criteria.

In most instances, shipping a DEWALT battery pack will be excepted from being classified as a fully regulated Class 9 Hazardous Material. In general, only shipments containing a lithium-ion battery with an energy rating greater than 100 Watt Hours (Wh) will require being shipped as fully regulated Class 9. All lithium-ion batteries have the Watt Hour rating marked on the pack. Furthermore, due to regulation complexities, DEWALT does not recommend air shipping lithium-ion battery packs alone regardless of Watt Hour rating. Shipments of tools with batteries (combo kits) can be air shipped as excepted if the Watt Hour rating of the battery pack is no greater than 100 Wh. Regardless of whether a shipment is considered excepted or fully regulated, it is the shipper's responsibility to consult the latest regulations for packaging, labeling/marketing and documentation requirements.

The information provided in this section of the manual is provided in good faith and believed to be accurate at the time the document was created. However, no warranty, expressed or implied, is given. It is the buyer's responsibility to ensure that its activities comply with the applicable regulations.

Transporting the FLEXVOLT™ Battery

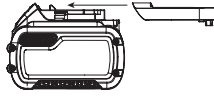
The DEWALT FLEXVOLT™ battery has two modes: **Use** and **Transport**.

Use Mode: When the FLEXVOLT™ battery stands alone or is in a DEWALT 18V product, it will operate as an 18V battery. When

the FLEXVOLT™ battery is in a 54V or a 108V (two 54V batteries) product, it will operate as a 54V battery.

Transport Mode: When the cap is attached to the FLEXVOLT™ battery, the battery is in Transport mode. Keep the cap for shipping.

When in Transport mode, strings of cells are electrically disconnected within the pack resulting in 3 batteries with a lower Watt hour (Wh) rating as compared to 1 battery with a higher Watt hour rating. This increased quantity of 3 batteries with the lower Watt hour rating can exempt the pack from certain shipping regulations that are imposed upon the higher Watt hour batteries.



For example, the Transport Wh rating might indicate 3 x 36 Wh, meaning 3 batteries of 36 Wh each.

Example of Use and Transport Label Marking



The Use Wh rating might indicate 108 Wh (1 battery implied).

Storage Recommendations

1. The best storage place is one that is cool and dry away from direct sunlight and excess heat or cold. For optimum battery performance and life, store battery packs at room temperature when not in use.
2. For long storage, it is recommended to store a fully charged battery pack in a cool, dry place out of the charger for optimal results.

NOTE: Battery packs should not be stored completely depleted of charge. The battery pack will need to be recharged before use.


Labels on Charger and Battery Pack


In addition to the pictographs used in this manual, the labels on the charger and the battery pack may show the following pictographs:


 Read instruction manual before use.





 See **Technical Data** for charging time.


 Do not probe with conductive objects.


 Do not charge damaged battery packs.


 Do not expose to water.

 Have defective cords replaced immediately


 Charge only between 4 °C and 40 °C.


 Only for indoor use.

 Discard the battery pack with due care for the environment.

 Charge DeWALT battery packs only with designated DeWALT chargers. Charging battery packs other than the designated DeWALT batteries with a DeWALT charger may make them burst or lead to other dangerous situations.

 Do not incinerate the battery pack.

 USE (without transport cap). Example: Wh rating indicates 108 Wh (1 battery with 108 Wh).

 TRANSPORT (with built-in transport cap). Example: Wh rating indicates 3 x 36 Wh (3 batteries of 36 Wh).

Battery Type

The following SKU(s) operate on a 18 volt battery pack: DCN45RN

These battery packs may be used: DCB181, DCB182, DCB183, DCB183B, DCB184, DCB184B, DCB185, DCB187, DCB189, DCB546, DCB547, DCB548. Refer to **Technical Data** for more information.

Package Contents

The package contains:

- 1 Nailer
- 1 Charger
- 1 Li-Ion battery pack (C1, D1, L1, M1, P1, S1, T1, X1, Y1 models)
- 2 Li-Ion battery packs (C2, D2, L2, M2, P2, S2, T2, X2, Y2 models)
- 3 Li-Ion battery packs (C3, D3, L3, M3, P3, S3, T3, X3, Y3 models)
- 1 Instruction manual

NOTE: Battery packs, chargers and kitboxes are not included with N models. Battery packs and chargers are not included with NT models. B models include Bluetooth® battery packs.


NOTE: The Bluetooth® word mark and logos are registered trademarks owned by the Bluetooth®, SIG, Inc. and any use of such marks by DeWALT is under license. Other trademarks and trade names are those of their respective owners.

- Check for damage to the tool, parts or accessories which may have occurred during transport.
- Take the time to thoroughly read and understand this manual prior to operation.

Markings on Tool

The following pictograms are shown on the tool:

 Read instruction manual before use.

 Wear ear protection.



Wear eye protection.



Length of nails.



Nail thickness.



Loading capacity.



Suitable nail collation angle.

Date Code Position (Fig. A)

The date code **10**, which also includes the year of manufacture, is printed into the housing.

Example:

2020 XX XX

Year of Manufacture

Description (Fig. A)



WARNING: Never modify the power tool or any part of it. Damage or personal injury could result.

- | | |
|--------------------------|------------------|
| 1 Battery | 6 Canister cover |
| 2 Battery release button | 7 Top cap |
| 3 Trigger | 8 Nail door |
| 4 Trigger lock-off | 9 Belt hook |
| 5 Depth adjustment wheel | |

Intended Use

The DCN45RN cordless roofing nailer has been designed for driving nails into wooden workpieces.

Do not use under wet conditions or in the presence of flammable liquids or gases.

This cordless roofing nailer is a professional power tool.

Do not let children come into contact with the tool. Supervision is required when inexperienced operators use this tool.

- **Young children and the infirm.** This appliance is not intended for use by young children or infirm persons without supervision.
- This product is not intended for use by persons (including children) suffering from diminished physical, sensory or mental abilities; lack of experience, knowledge or skills unless they are supervised by a person responsible for their safety. Children should never be left alone with this product.

ASSEMBLY AND ADJUSTMENTS



WARNING: To reduce the risk of serious personal injury, turn tool off and disconnect battery pack before making any adjustments or removing/installing attachments or accessories. An accidental start-up can cause injury.



WARNING: Use only DEWALT battery packs and chargers.

Inserting and Removing the Battery Pack from the Tool (Fig. B)

NOTE: Make sure your battery pack **1** is fully charged.

To Install the Battery Pack into the Tool Handle

1. Align the battery pack **1** with the rails inside the tool's handle (Fig. B).
2. Slide it into the handle until the battery pack is firmly seated in the tool and ensure that you hear the lock snap into place.

To Remove the Battery Pack from the Tool

1. Press the release button **2** and firmly pull the battery pack out of the tool handle.
2. Insert battery pack into the charger as described in the charger section of this manual.

Fuel Gauge Battery Packs (Fig. B)

Some DEWALT battery packs include a fuel gauge which consists of three green LED lights that indicate the level of charge remaining in the battery pack.

To actuate the fuel gauge, press and hold the fuel gauge button **13**. A combination of the three green LED lights will illuminate designating the level of charge left. When the level of charge in the battery is below the usable limit, the fuel gauge will not illuminate and the battery will need to be recharged.

NOTE: The fuel gauge is only an indication of the charge left on the battery pack. It does not indicate tool functionality and is subject to variation based on product components, temperature and end-user application.

Rotating Rafter/Belt Hook (Fig. A)

The rafter/belt hook **9** and can be easily positioned to the left or right of the tool to accommodate left- or right-handed users. If use of the hook is not desired at all, it can be rotated to the front or back of the handle base.

OPERATION

Instructions for Use



WARNING: Always observe the safety instructions and applicable regulations.



WARNING: To reduce the risk of serious personal injury, turn tool off and disconnect battery pack before making any adjustments or removing/installing attachments or accessories. An accidental start-up can cause injury.

Proper Hand Position (Fig. A, D)



WARNING: To reduce the risk of serious personal injury, ALWAYS use proper hand position as shown.



WARNING: To reduce the risk of serious personal injury, ALWAYS hold securely in anticipation of a sudden reaction.

Proper hand position requires one hand on the main handle **12** as shown.

Bump Action

Bump action is intended for rapid nailing on flat, stationary surfaces and typically most effective for applications that require driving shorter nails.

To Operate the Tool Using the Bump Actuation Method

1. Depress the trigger.
2. Push the contact trip against the work surface. As long as the trigger is depressed, the tool will fire a nail every time the contact trip is depressed. This allows the user to drive multiple nails in sequence.



WARNING: Do not keep trigger depressed when tool is not in use. Keep the trigger lock-off in the locked position when the tool is not in use.



WARNING: When the tool's motor is running, the next actuation, pulling the trigger or depressing the contact trip, will cause a nail to fire.

Preparing the Tool



NOTICE: NEVER spray or in any other way apply lubricants or cleaning solvents inside the tool. This can seriously affect the life and performance of the tool.

NOTE: The battery pack is not fully charged out of the carton. Follow instructions outlined (refer to **Charging a Battery**).

1. Read the **Safety Instructions for Cordless Nailers** section of this manual.
2. Wear eye and ear protection.
3. Remove battery from tool.
4. Ensure magazine is empty of all fasteners.
5. Check for smooth and proper operation of contact trip and pusher assemblies. Do not use tool if either assembly is not functioning properly. NEVER use a tool that has the contact trip restrained in the actuated position.
6. Keep tool pointed away from yourself and others.
7. Insert fully charged battery pack.

Using the Trigger Lock-Off (Fig. D)

Each DEWALT nailer is equipped with a trigger lock-off **4** which when pushed to the right as shown in Figure D, prevents the tool from firing a nail by locking the trigger and bypassing power to the motor.

When the trigger lock-off is pressed to the left, the tool will be fully operational. The trigger lock-off should always be locked off whenever any adjustments are made or when tool is not in immediate use.

Loading the Tool (Fig. E–G)



WARNING: Keep the tool pointed away from yourself and others.



WARNING: Never load nails with the contact trip or trigger activated.



WARNING: Always remove battery pack before loading or unloading nails.



CAUTION: Keep fingers clear of pusher latch track to prevent injury.



WARNING: The trigger lock-off should always be engaged whenever any adjustments are made or when tool is not in use.

1. Push the door latch **13** to open the nail door **8**.
2. Rotate the canister cover **6** open.
3. Adjust the nail platform **15** according to the length of nails being used.
 - a. Swing the nail platform out and move it along the rail to it set for one of three positions.
 - b. Move the nail platform back into position making sure the tab **16** fits securely into one of the three numbered slots.

Nail platform	Nail length
Position 1	22 mm
Position 2	25 mm–33 mm
Position 3	38 mm–45 mm

4. Place the coil on the nail platform. Insert fasteners with points down. **IMPORTANT:** Fasteners must point in the same direction as they will be driven.
5. Uncoil enough nails (approximately 76 mm) to reach the nose of the tool.
6. Insert the first nail into the nose and the second nail between the two rails of the feed pawl.

NOTE: Be careful not to deform the coil of nails during the loading process. Otherwise, the nail door will not close and the nails might not feed consistently.
7. Close the nail door making sure the door latch is completely engaged.
8. Close the canister cover completely.

Unloading the Tool (Fig. E–G)



WARNING: The trigger lock-off should always be locked off whenever any adjustments are made or when tool is not in use.

1. Push the door latch **13** to open the nail door **8**.
2. Rotate the canister cover **6** open.
3. Remove the coil from the nail platform.

Adjusting Depth (Fig. H)

The depth that the nail is driven can be adjusted using the depth adjustment wheel **3** on the nose of the tool.



WARNING: To reduce risk of serious injury from accidental actuation when attempting to adjust depth, ALWAYS:

- Remove battery pack.
- Engage trigger lock-off.
- Always point the nose of the nailer away from you.
- Avoid contact with trigger during adjustments.

The depth that the fastener is driven can be adjusted using the depth adjustment wheel **5** on the nose of the tool. The depth of drive is factory adjusted to a nominal setting. Test fire a fastener and check depth. If a change is desired:

1. To drive the nail deeper, rotate the depth adjustment wheel to the right. Setting 5 is the deepest.
2. To drive a nail shallower, rotate the depth adjustment wheel to the left. Setting 1 is the shallowest.

Test drive another fastener and check depth. Repeat as necessary to achieve desired results.

Stall Release (Fig. I)

If the nailer is used in rigorous application where all available energy in the motor is used to drive a fastener, the tool may stall. The driver blade did not complete the drive cycle and the jam/stall indicator will flash. Rotate the stall release lever **14** on the tool and the mechanism will release. If the driver blade does not automatically return to the home position, proceed to **Clearing a Jammed Nail**. If the unit continues to stall please review the mode selection, material and fastener length to be sure that it is not too rigorous an application.

If continuous stalling occurs, review speed selection.

Depending upon the application, a different speed setting may be necessary.

Clearing a Jammed Nail (Fig. A, E–G)

If a nail becomes jammed in the nosepiece, keep the tool pointed away from you and follow these instructions to clear:

NOTE: The jam could be as a result of debris build up in the nose channel. Please check and clear out any debris as outlined below immediately if you notice any change of performance in the tool.

1. Remove battery pack from tool and engage trigger lock-off.
2. Push the door latch **13** to open the nail door **8**
3. Open the canister cover **6**.
4. Remove the jammed nail.
5. Correct any deformation that may have occurred to the nail coil.

If nails become jammed in the nosepiece frequently, have the tool serviced by an authorised DeWALT service centre.

MAINTENANCE

Your power tool has been designed to operate over a long period of time with a minimum of maintenance. Continuous satisfactory operation depends upon proper tool care and regular cleaning.



WARNING: To reduce the risk of serious personal injury, turn tool off and disconnect battery pack before making any adjustments or removing/installing attachments or accessories. An accidental start-up can cause injury.

The charger and battery pack are not serviceable.



Lubrication

Your power tool requires no additional lubrication.



Cleaning



WARNING: Blow dirt and dust out of the main housing with dry air as often as dirt is seen collecting in and around the air vents. Wear approved eye protection and approved dust mask when performing this procedure.



WARNING: Never use solvents or other harsh chemicals for cleaning the non-metallic parts of the tool. These chemicals may weaken the materials used in these parts. Use a cloth dampened only with water and mild soap. Never let any liquid get inside the tool; never immerse any part of the tool into a liquid.

Optional Accessories



WARNING: Since accessories, other than those offered by DeWALT, have not been tested with this product, use of such accessories with this tool could be hazardous. To reduce the risk of injury, only DeWALT recommended accessories should be used with this product.

Consult your dealer for further information on the appropriate accessories.

Return Spring Replacement (Fig. J–M)

Over time - driver blade return spring will wear and eventually need replacement. It will become apparent that the spring will need replacement when the driver blade does not return home after every shot. To verify - open the magazine as in the **Clearing a Jammed Nail** section and if the spring have worn out you will be able to move the driver backwards and forwards in the nail channel with very little resistance.



WARNING: For your own safety, read the tool instruction manual before using any accessory. Failure to heed these warnings may result in personal injury and serious damage to the tool and the accessory. When servicing this tool, use only identical replacement parts.

NOTICE: All the mechanical parts of the spring replacement kit are shown for convenience and verification of inclusion.

To Change Broken Return Springs

1. Loosen the two screws **17** on either side of the unit. Refer to Figure J.
2. Remove the return system **18** from the unit. Refer to Figure K.
3. Slide the spring rail clip **19** off of the spring rail **20**. Refer to Figure L.
4. Twist and remove the spring bumper **21** and remove the washer **22** and return spring **23**. Refer to Figure M.
5. Mount the new return spring and washer on to the spring rail **20**. While compressing the spring with the washer near the opposite end of the rail, twist on the new spring bumper until it is past the groove for the spring rail clip.
6. Mount the new spring rail clip securely and position the bumper against the clip.

NOTE: Check the return of the profile by sliding the profile up the spring rail and letting it go. It should return due to the force from the springs.

- Slide the return system **18** back into the unit. It is important to try the alignment of the profile and the flywheel before screwing the return system back on to the unit. This can be done by connecting a battery and pushing then releasing the nose of the unit against a bench or hard surface. This will start the motor spinning.

NOTE: When the profile and the flywheel are correctly aligned, you will hear the motor coast back down from full speed. If the profile and the flywheel are not correctly aligned the motor it may not start up, may slow down much faster than normal along with a loud grinding noise from the unit. If this happens remove and reseal the return system.



WARNING: Always test the unit by firing short nails in to soft wood, to ensure that the tool is working properly. If tool does not operate properly, contact a recognized DEWALT service centre immediately.

Replacing the Profile (Fig. N)

To Change a Broken or Worn Profile

- Refer to **Return Spring Replacement** Steps 1–4 to remove the return system from the unit and to remove the springs.
- Take note of the orientation of the profile **24**. Slide the profile off the rail **20**.
- In the same orientation as the old profile, slide the new profile onto the rails.
- Refer to **Return Spring Replacement** Steps 5–7 to complete the service.

Protecting the Environment



Separate collection. Products and batteries marked with this symbol must not be disposed of with normal household waste.

Products and batteries contain materials that can be recovered or recycled reducing the demand for raw materials. Please recycle electrical products and batteries according to local provisions. Further information is available at www.2helpU.com.

Rechargeable Battery Pack

This long life battery pack must be recharged when it fails to produce sufficient power on jobs which were easily done before. At the end of its technical life, discard it with due care for our environment:

- Run the battery pack down completely, then remove it from the tool.
- Li-Ion cells are recyclable. Take them to your dealer or a local recycling station. The collected battery packs will be recycled or disposed of properly.

TROUBLESHOOTING GUIDE

MANY COMMON PROBLEMS CAN BE SOLVED EASILY BY UTILIZING THE CHART BELOW.

For more serious or persistent problems, contact your nearest authorised DeWALT repair agent, or contact your DeWALT office at the address indicated in this manual.



WARNING: To reduce the risk of serious personal injury, ALWAYS lock off the tool and disconnect battery pack from tool before all repairs.

SYMPTOM	CAUSE	FIX
Motor does not run with trigger depressed	Trigger lock in locked position	Unlock trigger lock.
	Tool is stalled, locking the motor from rotating	Rotate the stall release lever on the tool and the mechanism will release. If driver blade does not return, remove battery and manually push driver blade back to home position.
	Tool internal electronics need to be reset	Remove battery, wait 3 seconds and reinsert.
	Motor stops running after 5 seconds	Normal operation, release trigger and redepres.
	Terminals are dirty or damaged	See authorised DeWALT repair agent.
	Damaged internal electronics	See authorised DeWALT repair agent.
	Damaged trigger	See authorised DeWALT repair agent.
	Battery is hot Tool is hot	Let the battery cool or replace it with a cool pack. Let the tool cool down before continuing use.
Motor does not run with contact trip depressed	Trigger lock in locked position	Unlock trigger lock.
	Tool is stalled, locking the motor from rotating	Rotate the stall release lever on the tool and the mechanism will release. If driver blade does not return, remove battery and manually push driver blade back to home position.
	Bent contact trip	See authorised DeWALT repair agent.
	Motor stops running after 5 seconds	Normal operation, release contact trip and redepres.
	Terminals are dirty or damaged	See authorised DeWALT repair agent.
	Damaged internal electronics	See authorised DeWALT repair agent.
	Damaged trigger	See authorised DeWALT repair agent.
	Battery is hot Tool is hot	Let the battery cool or replace it with a cool pack. Let the tool cool down before continuing use.
Tool does not actuate (motor runs but will not fire)	Low battery charge or damaged battery	Check charge level if pack shows state-of-charge. Charge or replace battery pack if necessary.
	Jammed nail/driver blade not returned to home position	Remove battery, clear jammed nail, cycle stall release lever, (push driver blade up manually if necessary) reinsert battery pack.
	Damaged driver/return assembly	Replace driver/return assembly. See authorised DeWALT repair agent.
	Jammed internal mechanism	See authorised DeWALT repair agent.
	Damaged internal electronics	See authorised DeWALT repair agent.
Motor starts up but generates a lot of noise	Jammed nail and driver blade is stuck in down position	Use stall release lever, clear any jammed nails, and return driver blade manually if necessary.
	Damaged driver/return assembly	Replace driver/return assembly. See authorised DeWALT repair agent.
Drive blade continues to get stuck in down position	Jammed nail and driver blade is stuck in down position	Use stall release lever, clear and jammed nails, and return driver blade manually if necessary.
	Damaged driver/return assembly	Replace driver/return assembly. See authorised DeWALT repair agent.
	Material and fastener length	If the unit continues to stall (forcing the need to rotate the Stall release lever) choose the appropriate material and fastener length that is not too rigorous an application.
	Debris in nosepiece	Clean nose area and watch closely for small pieces of broken nails stuck in the track.
	Tool is not yet run-in	New tools can take 500–1000 nails for parts to mesh and wear in together. Drive shorter nails during this period if experiencing difficulty driving nails flush.
	Use of incorrect speed	If trying to drive longer ring shank nails in soft woods, or driving ring shank nails into harder materials in speed 1 – adjust speed setting to position 2.

SYMPTOM	CAUSE	FIX
Tool operates but does not drive fasteners fully	Depth adjust set too shallow	Rotate depth adjust to a deeper setting.
	Tool not firmly applied to workpiece	Apply adequate force to tool securing it tightly to workpiece. Refer to instruction manual.
	Material and fastener length	If the unit continues to stall (forcing the need to rotate the Stall release lever) choose the appropriate material and fastener length that is not too rigorous of an application.
	Damaged or worn driver blade tip	Replace driver/return assembly. See authorised DEWALT repair agent.
	Damaged actuation mechanism	See authorised DEWALT repair agent.
	Tool is not yet run-in	New tools can take 500–1000 nails for parts to mesh and wear in together. Drive shorter nails during this period if experiencing difficulty driving nails flush.
	Use of incorrect speed	If trying to drive longer ring shank nails in soft woods, or driving ring shank nails into harder materials in speed 1 – adjust speed setting to position 2.
Tool operates, but no fastener is driven	No nails in magazine	Load nails in magazine.
	Wrong size or angle nails	Use only the recommended nails. Refer to Technical Data .
	Debris in nosepiece	Clean nose area and watch closely for small pieces of broken nails stuck in the track.
	Debris in magazine	Clean magazine.
	Worn magazine	Replace magazine. See authorised DEWALT repair agent.
	Damaged or worn driver blade	Replace driver blade. See authorised DEWALT repair agent.
Jammed nail	Damaged pusher spring	Replace spring; see authorised DEWALT repair agent.
	Wrong size or angle nails	Use only the recommended nails. Refer to Technical Data .
	Damaged or worn driver blade	Replace driver blade. See authorised DEWALT repair agent.
	Material and fastener length	If the unit continues to stall (forcing the need to rotate the Stall release lever) choose the appropriate material and fastener length that is not too rigorous an application.
	Debris in nosepiece	Clean nose area and watch closely for small pieces of broken nails stuck in the track.
	Worn magazine	Replace magazine. See authorised DEWALT repair agent.
	Damaged pusher spring	Replace spring. See authorised DEWALT repair agent.

АККУМУЛЯТОРНЫЙ ГВОЗДЕЗАБИВНОЙ ПИСТОЛЕТ DCN45RN

Поздравляем!

Вы приобрели инструмент DEWALT. Многолетний опыт, тщательная разработка изделий и инновации делают компанию DEWALT одним из самых надёжных партнеров для пользователей профессионального электроинструмента.

Технические характеристики

		DCN45RN
Напряжение	$V_{\text{пост. тока}}$	18
Тип		1
Тип батареи		Ионно-литиевая
Режим срабатывания		Контактный
Угол обоймы гвоздей		15°
Гвозди		
длина	мм	19–45
диаметр хвостовика	мм	3
диаметр головки	мм	10,1
тип хвостовика		Гладкий и круглый
ёмкость магазина		120 гвоздей
Вес (без аккумуляторной батареи)	кг	3,85

Значения шума и/или вибрации (сумма векторов в трех плоскостях) в соответствии с EN62841-2-??:

L_{PA} (уровень звукового давления)	дБ(A)	83
L_{WA} (уровень акустической мощности)	дБ(A)	94
K (погрешность для заданного уровня мощности)	дБ(A)	3
Значение вибрационного воздействия $a_{H=}$	m/s^2	< 2,5
Погрешность K =	m/s^2	1,5

Значение шумовой эмиссии и/или эмиссии вибрации, указанное в данном справочном листке, было получено в соответствии со стандартным тестом, приведенным в EN62841, и может использоваться для сравнения инструментов. Кроме того, оно может использоваться для предварительной оценки воздействия вибрации.



ОСТОРОЖНО! Заявленное значение шумовой эмиссии и/или эмиссии вибрации относится к основным областям применения инструмента. Однако, если инструмент используется для различных целей, с различными дополнительными принадлежностями или при ненадлежащем уходе, то уровень шума и/или вибрации может измениться. Это может привести к значительному увеличению уровня воздействия вибрации в течение всего рабочего периода.

При расчете приблизительного значения уровня воздействия шума и/или вибрации также

необходимо учитывать время, когда инструмент выключен или то время, когда он работает на холостом ходу. Это может привести к значительному снижению уровня воздействия вибрации в течение всего рабочего периода. Определите дополнительные меры техники безопасности для защиты оператора от воздействия шума и/или вибрации, а именно: поддержание инструмента в дополнительном состоянии, создание комфортных условий работы (соответствующих вибрации), хорошая организация рабочего места.

Декларация о соответствии нормам ЕС Директива по механическому оборудованию



Аккумуляторный гвоздезабивной пистолет DCN45RN

DEWALT заявляет, что продукция, описанная в разделе «Технические характеристики», соответствует: 2006/42/EC, EN60745-1:2009+A11:2010, EN60745-2:16:2010. Эти продукты также соответствуют Директивам 2014/30/EU и 2011/65/EU. За дополнительной информацией обращайтесь в компанию DEWALT по адресу, указанному ниже или приведенному на задней стороне обложки руководства. Нижеподписавшийся несет ответственность за составление технической документации и составил данную декларацию по поручению компании DEWALT.

Маркус Ромпель
Вице-президент отдела по разработке и производству,
PTE-Europe
DEWALT, Richard-Klinger-Straße 11,
D-65510, Idstein, Germany
17.03.2020



ВНИМАНИЕ: Во избежание риска получения травм ознакомьтесь с инструкцией.


Обозначения: правила техники безопасности


Ниже описывается уровень опасности, обозначаемый каждым из предупреждений. Прочитайте руководство и обратите внимание на данные символы.


Батареи				Зарядные устройства/время зарядки (мин)									
Кат. №	V _{пост. тока}	Ah	Вес (kg)	DCB104	DCB107	DCB112	DCB113	DCB115	DCB116	DCB117	DCB118	DCB132	DCB119
DCB546	18/54	6,0/2,0	1,05	60	270	170	140	90	80	40	60	90	X
DCB547	18/54	9,0/3,0	1,46	75*	420	270	220	135*	110*	60	75*	135*	X
DCB548	18/54	12,0/4,0	1,44	120	540	350	300	180	150	80	120	180	X
DCB181	18	1,5	0,35	22	70	45	35	22	22	22	22	22	45
DCB182	18	4,0	0,61	60/40**	185	120	100	60	60/45**	60/40**	60/40**	60	120
DCB183/B	18	2,0	0,40	30	90	60	50	30	30	30	30	30	60
DCB184/B	18	5,0	0,62	75/50**	240	150	120	75	75/60**	75/50**	75/50**	75	150
DCB185	18	1,3	0,35	22	60	40	30	22	22	22	22	22	X
DCB187	18	3,0	0,54	45	140	90	70	45	45	45	45	45	90
DCB189	18	4,0	0,54	60	185	120	100	60	60	60	60	60	120

*Код даты 201811475В или новее

**Код даты 201536 или новее

 **ОПАСНО:** Обозначает опасную ситуацию, которая неизбежно приведет к серьезной травме или смертельному исходу, в случае несоблюдения соответствующих мер безопасности.

 **ВНИМАНИЕ:** Указывает на потенциально опасную ситуацию, которая, в случае несоблюдения соответствующих мер безопасности, может привести к серьезной травме или смертельному исходу.


 **ПРЕДУПРЕЖДЕНИЕ:** Указывает на потенциально опасную ситуацию, которая, в случае несоблюдения соответствующих мер безопасности может стать причиной травм **средней или легкой степени тяжести**.

ПОЯСНЕНИЕ: Указывает на практики, использование которых не связано с получением травмы, но если ими пренебречь, могут привести к порче имущества.

 Указывает на риск поражения электрическим током.

 Указывает на риск возгорания.

ОБЩИЕ ПРАВИЛА ТЕХНИКИ БЕЗОПАСНОСТИ ПРИ ИСПОЛЬЗОВАНИИ ЭЛЕКТРОИНСТРУМЕНТОВ

 **ВНИМАНИЕ:** Прочитайте и просмотрите все предупреждения, инструкции, иллюстрации и спецификации по данному электроинструменту. Несоблюдение всех приведенных ниже инструкций может стать причиной поражения электрическим током, возгорания и/или тяжелой травмы.

СОХРАНИТЕ ВСЕ ИНСТРУКЦИИ ДЛЯ ПОСЛЕДУЮЩЕГО ИСПОЛЬЗОВАНИЯ

Термин «электроинструмент» в предупреждениях относится к работающим от сети (проводным) электроинструментам или

работающим от аккумуляторной батареи (беспроводным) электроинструментам.

1) Безопасность на рабочем месте

- Следите за чистой и хорошим освещением на рабочем месте.** Захламленное или плохо освещенное рабочее место может стать причиной несчастного случая.
- Запрещается работать с электроинструментами во взрывоопасных местах, например, вблизи легковоспламеняющихся жидкостей, газов и пыли.** Искры, которые появляются при работе электроинструментов могут привести к воспламенению пыли или паров.
- Следите за тем, чтобы во время работы с электроинструментом в зоне работы не было посторонних и детей.** Отвлекаясь от работы вы можете потерять контроль над инструментом.

2) Электробезопасность

- Штепсельная вилка электроинструмента должна соответствовать розетке. Никогда не меняйте вилку инструмента. Запрещается использовать переходники к вилкам для электроинструментов с заземлением.** Использование оригинальных штепсельных вилок, соответствующих типу сетевой розетки снижает риск поражения электрическим током.
- Избегайте контакта с заземленными поверхностями, такими как трубы, радиаторы и холодильники.** Если вы будете заземлены, увеличивается риск поражения электрическим током.
- Запрещается оставлять электроинструмент под дождем и в местах повышенной влажности.** При попадании воды в электроинструмент риск поражения электротоком возрастает.
- Берегите кабель от повреждений. Никогда не используйте кабель для переноски**

инструмента, не тяните за него, пытайтесь отключить инструмент от сети. Держите кабель подальше от источников тепла, масла, острых углов или движущихся предметов.

Поврежденный или запутанный кабель питания повышает риск поражения электрическим током.

- e) **При работе с электроинструментом на открытом воздухе используйте удлинитель, подходящий для использования на улице.**

Использование кабеля питания, предназначенного для использования вне помещения, снижает риск поражения электрическим током.

- f) **Если использование электроинструмента в условиях повышенной влажности неизбежно, используйте устройства защитного отключения (УЗО) для защиты сети.**

Использование УЗО сокращает риск поражения электрическим током.

3) Обеспечение индивидуальной безопасности

- a) **Будьте внимательны, смотрите, что делаете и не забывайте о здравом смысле при работе с электроинструментом. Запрещается работать с электроинструментом в состоянии усталости, наркотического, алкогольного опьянения или под воздействием лекарственных препаратов.** Невнимательность при работе с электроинструментом может привести к серьезным телесным повреждениям.

- b) **Используйте индивидуальные средства защиты. Всегда используйте защитные очки.** Средства защиты, такие как пылезащитная маска, обувь с нескользящей подошвой, каска и защитные наушники, используемые при работе, уменьшают риск получения травм.

- c) **Примите меры для предотвращения случайного включения. Перед тем как подключить электроинструмент к сети и/или аккумуляторной батарее, возьмите инструмент или перенести его на другое место, убедитесь в том, что выключатель находится в положении «Выкл.». Если при переносе электроинструмента он подключен к сети, и при этом ваш палец находится на выключателе, это может стать причиной несчастных случаев.**

- d) **Уберите все регулировочные или гаечные ключи перед включением электроинструмента.** Ключ, оставленный на вращающейся части электроинструмента, может привести к травме.

- e) **Не пытайтесь дотянуться до слишком удаленных поверхностей. Обувь должна быть удобной, чтобы вы всегда могли сохранять равновесие.** Это позволит лучше контролировать электроинструмент в непредвиденных ситуациях.

- f) **Одевайтесь соответствующим образом. Избегайте носить свободную одежду и ювелирные украшения. Следите за тем, чтобы волосы и одежда не попали под**

движущиеся детали. Возможно наматывание свободной одежды, ювелирных изделий и длинных волос на движущиеся детали.

- g) **При наличии устройств для подключения оборудования для удаления и сбора пыли необходимо обеспечить правильность их подключения и эксплуатации.** Использование устройства для пылеудаления сокращает риски, связанные с пылью.
- h) **Не позволяйте хорошему знанию от частого использования инструмента стать причиной самонадеянности и игнорирования правил техники безопасности.** Небрежное действие может повлечь серьезные травмы за долю секунды.

4) Эксплуатация электроинструмента и уход за ним

- a) **Избегайте чрезмерной нагрузки электроинструмента. Используйте электроинструмент в соответствии с назначением.** Правильно подобранный электроинструмент выполнит работу более эффективно и безопасно при стандартной нагрузке.
- b) **Не пользуйтесь инструментом, если не работает выключатель.** Любой инструмент, управлять выключением и включением которого невозможно, опасен, и его необходимо отремонтировать.
- c) **Перед выполнением любых настроек, сменой аксессуаров или прежде чем убрать инструмент на хранение, отключите его от сети и/или снимите с него аккумуляторную батарею, если ее можно снять.** Такие превентивные меры безопасности сокращают риск случайного включения электроинструмента.
- d) **Храните электроинструмент в недоступном для детей месте и не позволяйте работать с инструментом людям, не имеющим соответствующих навыков работы с такого рода инструментами.** Электроинструмент представляет опасность в руках неопытных пользователей.
- e) **Поддерживайте электроинструмент и принадлежности в исправном состоянии. Проверьте, не нарушена ли центровка или не заклинили ли движущиеся детали, нет ли повреждений или иных неисправностей, которые могли бы повлиять на работу электроинструмента. В случае обнаружения повреждений, прежде чем приступить к эксплуатации электроинструмента, его нужно отремонтировать.** Большинство несчастных случаев происходит из-за электроинструментов, которые не обслуживаются должным образом.
- f) **Содержите режущий инструмент в остро заточенном и чистом состоянии.** Вероятность заклинивания инструмента, за которым следят

должным образом и который хорошо заточен, значительно меньше, а работать с ним легче.

- g) **Используйте электроинструменты, принадлежности и насадки в соответствии с данными инструкциями, принимая во внимание условия работы и характер выполняемой работы.** Использование электроинструмента для выполнения операций, для которых он не предназначен, может привести к созданию опасных ситуаций.
- h) **Все рукоятки и поверхности захватывания должны быть сухими и без следов смазки.** Скользкие рукоятки и поверхности захватывания не позволяют обеспечить безопасность работы и управления инструментом в непредвиденных ситуациях.

5) Использование аккумуляторных электроинструментов и уход за ними

- a) **Используйте для зарядки аккумуляторной батареи только указанное производителем зарядное устройство.** Использование зарядного устройства определенного типа для зарядки других батарей может привести к возгоранию.
- b) **Используйте для электроинструмента только батареи указанного типа.** Использование других аккумуляторных батарей может стать причиной травмы и пожара.
- c) **Оберегайте батарею от попадания в нее крепеж, монет, ключей, гвоздей, болтов или других мелких металлических предметов, которые могут вызывать замыкание контактов.** Короткое замыкание контактов аккумуляторной батареи может привести к пожару или получению ожогов.
- d) **При повреждении батареи, из нее может вытечь электролит. Не прикасайтесь к нему. При случайном контакте с электролитом смойте его водой. При попадании электролита в глаза обратитесь за медицинской помощью.** Жидкость, находящаяся внутри батареи, может вызвать раздражение или ожоги.
- e) **Не используйте поврежденные или измененные аккумуляторные батареи или инструменты.** Поврежденные или измененные аккумуляторные батареи могут работать непредсказуемо, что может привести к возгоранию, взрыву или риску получения травм.
- f) **Не подвергайте аккумуляторные батареи или инструмент воздействию огня или повышенной температуры.** Открытый огонь или воздействие высокой температуры выше 130 °C может привести к взрыву.
- g) **Следуйте всем инструкциям по зарядке и не заряжайте аккумуляторную батарею или инструмент вне температурного диапазона, указанного в инструкции.** Неправильная зарядка или зарядка вне указанного температурного

диапазона может привести к повреждению батареи и увеличить риск возгорания.

6) Обслуживание

- a) **Обслуживание электроинструмента должен проводить квалифицированный специалист с использованием только оригинальных запасных частей.** Это позволит обеспечить безопасность обслуживаемого электрифицированного инструмента.
- b) **Не выполняйте обслуживание поврежденных аккумуляторных батарей.** Обслуживание аккумуляторных батарей должно выполняться только производителем или авторизованными поставщиками услуг.

Дополнительные меры безопасности при работе с аккумуляторными пистолетами для забивания гвоздей

- **Обязательно проверяйте наличие крепежных деталей в инструменте.** Неаккуратное обращение с инструментом может привести к неожиданному выстрелу крепежной детали и травме.
- **Не направляйте инструмент на себя или на кого-то, кто находится рядом.** Случайное нажатие на пусковой выключатель может привести к травме из-за выстрела крепежной детали из инструмента.
- **Не включайте инструмент до тех пор, пока плотно не приставите его к заготовке.** Если инструмент не прижимать к заготовке, крепежные детали могут не попасть в нужное место.
- **Держите руки и остальные части тела подальше от выходного отверстия инструмента.** Во время использования НИ В КОЕМ СЛУЧАЕ не держите инструмент за магазин или барабан, так как это может привести к перекоосу гвоздя при выстреле и травмам.
- **Отключите инструмент от сети, если крепежная деталь застряла в инструменте.** Если инструмент будет включен в то время, когда вы вытаскиваете застрявший гвоздь, инструмент может неожиданно сработать.
- **Не используйте этот инструмент для крепления электрических кабелей.** Инструмент не предназначен для монтажа электрических кабелей, он может повредить изоляцию и тем самым может привести к поражению электрическим током или возгоранию.



ВНИМАНИЕ: Если инструмент упал или вы подозреваете, что он поврежден, то убедитесь, что инструмент исправен согласно инструкциям, приведенным в разделе выбора режима в данном руководстве пользователя. Если инструмент не работает так, как описано в руководстве, прекратите использовать инструмент и отнесите его в авторизованный сервисный центр DEWALT на ремонт.

- Всегда надевайте защитные очки.
- Всегда пользуйтесь средствами защиты слуха.
- Используйте только крепежные детали соответствующего типа, указанного в руководстве.
- Не используйте станину для монтажа инструмента на опоре.
- Не разбирайте и не блокируйте никакие части гвоздезабивного инструмента, например, контактный упор.
- Перед выполнением каждой операции убедитесь в том, что предохранительный и спусковой механизм работает нормально и что все зайки и болты затянуты.
- Не используйте DCN45R инструмент
 - при переходе с одного рабочего места на другое на лесах, лестницах, стремянках или подобных конструкциях, например, покатых крышах и т.п.;
 - при закрытии коробок или ящиков;
 - при установке систем безопасности для транспортировки, например, на транспортных средствах, прицепах и т. п.

Руководства по использованию рабочего места для вашей местности могут предполагать некоторые исключения из этих правил.

- Всегда следуйте руководствам по использованию рабочего места для вашей страны.
- Не используйте инструмент в качестве молотка.
- Никогда не включайте гвоздезабивной инструмент, направив его в пустое пространство.
- В рабочей зоне переносите инструмент к рабочему месту только за рукоятку и ни в коем случае не удерживайте пусковой выключатель в нажатом положении.
- Принимайте во внимание условия работы. Гвозди могут проходить насквозь через тонкие поверхности или углы заготовки, представляя опасность для людей.
- Не устанавливайте крепежные элементы близко к краю заготовки.
- Не забивайте крепежные детали поверх других.

Остаточные риски

Использование данных инструментов связано со следующими рисками:

- Травмы в результате неправильного обращения с инструментом.
- Потеря управления в результате недостаточно уверенного захвата инструмента.
- Чрезмерное напряжение мышц рук, особенно при выполнении работ на потолке. При работе в течение длительного времени всегда необходимо делать регулярные перерывы.

Несмотря на соблюдение соответствующих инструкций по технике безопасности и использование предохранительных

устройств, некоторые остаточные риски невозможно полностью исключить. А именно:

- Ухудшение слуха.
- Риск травм от разлетающихся частиц.
- Риск получения ожогов в результате нагревания инструмента в процессе работы.
- Риск получения травмы в результате продолжительной работы.
- Потеря управления в результате отдачи.
- Риск получения травмы в результате защемления, наличия острых углов и неправильного обращения с заготовкой.
- Риск получения травмы от острых углов при смене гвоздей или их установке.

Зарядные устройства

Зарядные устройства не требуют регулировки и максимально просты в использовании.

Электробезопасность

Электродвигатель рассчитан на работу только при одном напряжении сети. Необходимо обязательно убедиться в том, что напряжение источника питания соответствует указанному на шильдике устройства. Необходимо также убедиться в том, что напряжение работы зарядного устройства соответствует напряжению в сети.



Зарядное устройство оснащено двойной изоляцией в соответствии с требованиями EN60335; поэтому провод заземления не требуется.

В случае повреждения кабеля питания его необходимо заменить специально подготовленным кабелем, который можно приобрести в сервисных центрах.

Использование удлинительного кабеля

Используйте удлинитель только в случаях крайней необходимости. Используйте только утвержденные удлинители промышленного изготовления, рассчитанные на мощность не меньшую, чем потребляемая мощность зарядного устройства (см. **Технические характеристики**). Минимальное поперечное сечение провода электрического кабеля должно составлять 1 мм²; максимальная длина 30 м. При использовании кабельного барабана всегда полностью разматывайте кабель.

Важные инструкции по технике безопасности для всех зарядных устройств

СОХРАНИТЕ НАСТОЯЩЕЕ РУКОВОДСТВО. В данном руководстве содержатся важные инструкции по технике безопасности для совместимых зарядных устройств (см. **Технические характеристики**).

- Перед тем как использовать зарядное устройство, внимательно изучите все инструкции и предупреждающие этикетки на зарядном устройстве, батарее и инструменте, для которого используется батарея.



ВНИМАНИЕ: Опасность поражения электрическим током. Не допускайте попадания жидкости в зарядное устройство. Это может привести к поражению электрическим током.



ВНИМАНИЕ: Рекомендуется использовать устройство защитного отключения (УЗО) с током утечки до 30 мА.



ВНИМАНИЕ: Опасность ожога. Во избежание травм, следует использовать только аккумуляторные батареи производства . Использование батарей другого типа может привести к взрыву, травмам и повреждениям.



ПРЕДУПРЕЖДЕНИЕ: Не позволяйте детям играть с данным устройством.

ПОЯСНЕНИЕ: В определенных условиях, при подключении зарядного устройства к источнику питания, может произойти короткое замыкание контактов внутри зарядного устройства посторонними материалами. Не допускайте попадания в полость зарядного устройства таких токопроводящих материалов, как стальная стружка, алюминиевая фольга или другие металлические частицы и т. п. Всегда отключайте зарядное устройство от источника питания, если в нем нет аккумуляторной батареи. Всегда отключайте зарядное устройство от сети перед тем, как приступить к очистке инструмента

- **НЕ ПЫТАЙТЕСЬ** заряжать батареи с помощью каких-либо других зарядных устройств, кроме тех, которые указаны в данном руководстве. Зарядное устройство и батарея предназначены для совместного использования.
- Эти зарядные устройства не предназначены ни для какого другого использования, помимо зарядки аккумуляторных батарей . Использование любых других батарей может привести к возгоранию, поражению электротоком или гибели от электрического шока.
- Не подвергайте зарядное устройство воздействию снега или дождя.
- При отключении зарядного устройства от сети всегда тяните за штепсельную вилку, а не за кабель. Это поможет избежать повреждения штепсельной вилки и розетки.
- Убедитесь в том, что кабель расположен таким образом, чтобы на него не наступили, не споткнулись об него, а также в том, что он не натянут и не может быть поврежден.
- Не используйте удлинительный кабель без крайней необходимости. Использование удлинительного кабеля неподходящего типа может привести к пожару или поражению электрическим током.
- Не ставьте на зарядное устройство никакие предметы и не устанавливайте зарядное устройство на мягкую поверхность, которая может закрыть вентиляционные отверстия

и привести к перегреву. Не размещайте зарядное устройство поблизости от источников тепла. Вентиляция зарядного устройства происходит с помощью отверстий в верхней и нижней части корпуса.

- Не используйте зарядное устройство при наличии поврежденной кабеля или штепсельной вилки – в этом случае необходимо немедленно их заменить.
- Не используйте зарядное устройство, если его роняли, либо если оно подвергалось сильным ударам или было повреждено каким-либо иным образом. Обратитесь в авторизованный сервисный центр.
- Не разбирайте зарядное устройство. При необходимости обратитесь в специализированный сервисный центр, если нужно провести обслуживание или ремонт инструмента. Неправильная сборка может стать причиной пожара или поражения электрическим током.
- В случае повреждения кабеля питания его необходимо немедленно заменить у производителя, в его сервисном центре или с привлечением другого специалиста аналогичной квалификации для предотвращения несчастного случая.
- Перед очисткой отключите зарядное устройство от сети. В противном случае, это может привести к поражению электрическим током. Извлечение аккумуляторной батареи не приведет к снижению степени этого риска.
- НИКОГДА не подключайте два зарядных устройства вместе.
- Зарядное устройство предназначено для работы при стандартном напряжении сети в 230 В. Не пытайтесь использовать его при каком-либо ином напряжении. Это не относится к автомобильному зарядному устройству.

Зарядка батареи (Рис. [Fig.] B)

1. Перед установкой батареи подключите зарядное устройство к соответствующей сетевой розетке.
2. Вставьте аккумуляторную батарею 1 в зарядное устройство, убедившись в том, что она хорошо установлена. Красный индикатор зарядки начнет мигать. Это означает, что процесс зарядки начался.
3. По окончании зарядки красный индикатор будет гореть непрерывно, не мигая. Теперь батарея полностью заряжена, и ее можно использовать или оставить в зарядном устройстве. Чтобы извлечь аккумуляторную батарею из зарядного устройства, нажмите кнопку фиксатора батареи 2 и извлеките батарею.

ПРИМЕЧАНИЕ: Чтобы обеспечить максимальную производительность и срок службы литий-ионных батарей, перед первым использованием полностью зарядите аккумуляторную батарею.

Работа с зарядным устройством

См. состояние зарядки аккумуляторной батареи на приведенных ниже индикаторах.

Индикаторы зарядки	
	Зарядка
	Полностью заряжен
	Температурная задержка*

*В это время красный индикатор продолжит мигать, а когда начнется зарядка, загорится желтый. После того, как батарея достигнет рабочей температуры, желтый индикатор погаснет, и зарядка продолжится.

Зарядное(-ые) устройство(-а) не может(-гут) полностью зарядить неисправную аккумуляторную батарею. При неисправной аккумуляторной батарее, индикатор на зарядном устройстве не загорится.

ПРИМЕЧАНИЕ: Также это может указывать на проблему с зарядным устройством.

Если зарядное устройство указывает на наличие проблемы, проверьте аккумулятор и зарядное устройство в специализированном сервисном центре.

Температурная задержка

Если температура батареи слишком низкая или слишком высокая, зарядное устройство автоматически переходит в режим температурной задержки; при этом зарядка не начинается до тех пор, пока батарея не достигнет нужной температуры. После того, как нужный уровень температуры будет достигнут, устройство перейдет в режим зарядки. Данная функция обеспечивает максимальный срок эксплуатации батареи.

Зарядка холодной батареи занимает больше времени, чем теплой. Аккумуляторная батарея заряжается медленнее во время цикла зарядки и максимального заряда не удастся добиться даже после того, как аккумуляторная батарея будет теплой.

Зарядное устройство DCB118 оснащено внутренним вентилятором для охлаждения батареи. Вентилятор включится автоматически, если батарея нуждается в охлаждении. Не используйте зарядное устройство, если вентилятор не функционирует или если забиты вентиляционные отверстия. Не позволяйте посторонним предметам попадать внутрь зарядного устройства.

Система электронной защиты

Литий-ионные аккумуляторные батареи XR оснащены системой электронной защиты, которая защищает аккумуляторную батарею от перегрузки, перегрева или глубокой разрядки.

При срабатывании системы электронной защиты инструмент автоматически отключается. В этом случае поставьте литий-ионную батарею на зарядку до тех пор, пока она полностью не зарядится.

Крепление на стену

Данные зарядные устройства могут крепиться на стены или устанавливаться на стол или рабочую поверхность. При креплении на стену расположите зарядное устройство в пределах досягаемости розетки и подальше от углов и других препятствий, которые могут помешать потоку воздуха. Используйте заднюю часть зарядного устройства в качестве образца для положения монтажных болтов на стене. Надежно закрепите зарядное устройство при помощи саморезов (приобретаются отдельно) длиной минимум в 25,4 мм с диаметром шляпки самореза в 7–9 мм, вкрученных в дерево до оптимальной глубины, оставляющей на поверхности примерно 5,5 мм самореза. Совместите отверстия на задней стороне зарядного устройства с выступающими саморезами и полностью вставьте их в отверстия.

Инструкции по очистке зарядного устройства



ВНИМАНИЕ: Опасность поражения электрическим током. Перед чисткой отключите зарядное устройство от сети питания. Грязь и жир можно удалить с наружной поверхности зарядного устройства с помощью тряпки или мягкой неметаллической щетки. Не используйте воду или чистящие растворы. Не допускайте попадания жидкости внутрь инструмента; никогда не погружайте никакие из деталей инструмента в жидкость.

Аккумуляторные батареи

Важные инструкции по технике безопасности для всех батарей

При заказе запасных батарей не забудьте указать номер по каталогу и напряжение.

При покупке батарея заряжена не полностью. Перед тем, как использовать батарею и зарядное устройство, прочтите следующие инструкции по технике безопасности. Затем выполните необходимые действия для зарядки.

ВНИМАТЕЛЬНО ПРОЧТИТЕ ВСЕ ИНСТРУКЦИИ

- **Не заряжайте и не используйте батарею во взрывоопасной атмосфере, например, при наличии горючих жидкостей, газов или пыли.** Установка или удаление батареи из зарядного устройства может привести к воспламенению пыли или газов.
- **Никогда не прилагайте больших усилий, вставляя батарею в зарядное устройство. Не вносите изменения в инструкцию батарей с целью установить их в зарядное устройство, к которому они не подходят. Это может привести к серьезным травмам.**
- Заряжайте батареи только с помощью зарядных устройств.
- **НЕ ПРОЛИВАЙТЕ** на них и не погружайте их в воду или другие жидкости.
- **Не храните и не используйте данное устройство и батарею при температуре выше 40 °C**

(например, на внешних пристройках или на металлических поверхностях зданий в летнее время).

- **Не сжигайте батареи, даже поврежденные или полностью отработавшие.** При попадании в огонь батареи могут взорваться. При сжигании литий-ионных батарей образуются токсичные вещества и газы.
- **При попадании содержимого батареи на кожу, немедленно промойте это место водой с мылом.** При попадании содержимого батареи в глаза, необходимо промыть открытые глаза проточной водой в течение 15 минут или до тех пор, пока не пройдет раздражение. При необходимости обращения к врачу, может пригодиться следующая информация: электролит представляет собой смесь жидких органических углекислых и литиевых солей.
- **При вскрытии батареи, ее содержимое может вызвать раздражение дыхательных путей.** Обеспечьте наличие свежего воздуха. Если симптомы сохраняются, обратитесь к врачу.



ВНИМАНИЕ: Опасность ожога. Содержимое батареи может воспламениться при попадании искр или огня.



ВНИМАНИЕ: Ни в коем случае не разбирайте батарею. При наличии трещин или других поврежденных батарей, не устанавливайте ее в зарядное устройство. Не роняйте батарею и не подвергайте ее ударам или другим повреждениям. Не используйте батарею или зарядное устройство после удара, падения или получения каких-либо других повреждений (например, после того, как ее проткнули гвоздем, ударили молотком или наступили на нее). Это может привести к удару или поражению электрическим током. Поврежденные батареи необходимо вернуть в сервисный центр для повторной переработки.



ВНИМАНИЕ: Риск воспламенения. Избегайте замыкание выводов батарей металлическими предметами во время хранения или переноски. Например, не кладите аккумуляторные батареи в передники, карманы, ящики для инструментов, выдвижные ящики и т. п. с гвоздями, гайками, ключами и т. п.



ПРЕДУПРЕЖДЕНИЕ: Когда устройство не используется, кладите его на бок на устойчивую поверхность в таком месте, где оно не может упасть и об него нельзя споткнуться. Некоторые устройства с батареями большого размера, стоят сверху на батарее, и могут легко упасть.

Транспортировка



ВНИМАНИЕ: Риск воспламенения. При транспортировке аккумуляторных батарей может произойти возгорание, если терминалы аккумуляторных батарей случайно будут

замкнуты электропроводящими материалами. При транспортировке аккумуляторных батарей убедитесь в том, что терминалы защищены и хорошо изолированы от материалов, контакт с которыми может привести к короткому замыканию.

ПРИМЕЧАНИЕ: Литий-ионные аккумуляторные батареи запрещается сдавать в багаж.

Батареи соответствуют всем применимым правилам транспортировки, как предусмотрено промышленными и юридическими стандартам, включая рекомендации ООН по транспортировке опасных грузов; Ассоциация международных авиаперевозчиков (IATA) правила перевозки опасных грузов, Международные правила перевозки опасных грузов морским путем (IMDG), и европейское соглашение о международной дорожной перевозке опасных грузов (ADR). Литий-ионные элементы и аккумуляторные батареи были протестированы в соответствии с разделом 38.3 Рекомендаций ООН по транспортировке опасных грузов руководства по тестами и критериям.

В большинстве случаев транспортировка аккумуляторных батарей не попадает под классификацию, поскольку они не являются опасными материалами Класса 9. В целом, полностью под правила Класса 9 подпадают только перевозки литий-ионных батарей с энергоемкостью выше 100 Ватт час (Вт ч). Энергоемкость всех литий-ионных аккумуляторных батарей в Ватт-часах указана на упаковке. Кроме того, из-за сложности правил, не рекомендует перевозку литий-ионных батарей по воздуху вне зависимости от их энергоемкости. Поставки инструментов с батареями (комбинированные наборы) могут перевозиться по воздуху согласно исключениям, если энергоемкость батареи не превышает 100 Вт ч.

Независимо от того, является ли перевозка исключением или выполняется по правилам, перевозчик должен уточнить последние требования к упаковке, маркировке и оформлению документации.

Информация, изложенная в данном руководстве обоснована и на момент создания данного документа может считаться точной. Но эта гарантия не является ни выраженной, ни подразумеваемой. Покупатель должен обеспечить то, что бы его деятельность соответствовала всем применимым законам.

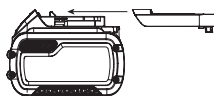
Транспортировка батареи FLEXVOLT™

Батарея DeWALT FLEXVOLT™ оснащена двумя режимами: **эксплуатация и транспортировка.**

Режим эксплуатации: если батарея FLEXVOLT™ используется отдельно или в изделии DeWALT на 18 В, то она будет работать в качестве батареи 18 В. Если батарея FLEXVOLT™ используется в изделии на 54 В или 108 В (две батареи 54 В), то она будет работать в качестве батареи 54 В.

Режим транспортировки: если к батарее FLEXVOLT™ прикреплена крышка, то батарея находится в режиме транспортировки. Сохраните крышку для транспортировки.

При режиме транспортировки ряды элементов электрически отсоединяются внутри батареи, что в итоге дает



3 батареи с более низкой энергоемкостью в ватт-часах (Вт ч) по сравнению с 1 батареей с более высокой емкостью в ватт-часах. Данное увеличенное количество в 3 батареи с более низкой энергоемкостью может исключить комплект из некоторых ограничений на перевозку, налагаемых на батареи с более высокой энергоемкостью.

Например, энергоемкость в режиме транспортировки указана как 3 × 36 Вт ч, что может означать 3 батареи с емкостью

Пример маркировки режимов эксплуатации и транспортировки



в 36 Вт ч каждая. Энергоемкость в режиме эксплуатации указана как 108 Вт ч (подразумевается 1 батарея).

Рекомендации по хранению

1. Лучшим местом для хранения является прохладное и сухое место, защищенное от прямых солнечных лучей, высокой или низкой температуры. Для оптимальной работы и продолжительного срока службы, храните неиспользуемые аккумуляторные батареи при комнатной температуре.
2. Для достижения максимальных результатов при продолжительном хранении рекомендуется полностью зарядить батарейный комплект и хранить его в прохладном сухом месте вне зарядного устройства.

ПРИМЕЧАНИЕ: Аккумуляторные батареи не должны храниться в полностью разряженном состоянии. Перед использованием аккумуляторная батарея требует повторной зарядки.

Маркировка на зарядном устройстве и аккумуляторной батарее

Помимо пиктограмм, используемых в данном руководстве, на зарядном устройстве и батарее имеются следующие обозначения:



Перед началом работы прочтите руководство по эксплуатации.



Чтобы узнать время зарядки, см. **Технические характеристики**.



Не касайтесь токопроводящими предметами контактов батареи и зарядного устройства.



Не пытайтесь заряжать поврежденную батарею.



Не подвергайте электроинструмент или его элементы воздействию влаги.



Немедленно заменяйте поврежденный кабель питания.



Зарядку осуществляйте только при температуре от 4 °C до 40 °C.



Для использования внутри помещений.



Утилизируйте отработанные батареи безопасным для окружающей среды способом.



Заряжайте аккумуляторные батареи только с помощью соответствующих зарядных устройств. Зарядка иных аккумуляторных батарей, кроме на зарядных устройствах может привести к возгоранию аккумуляторных батарей и возникновению других опасных ситуаций.



Не сжигайте аккумуляторную батарею.



ЭКСПЛУАТАЦИЯ (без крышки для транспортировки). Пример: энергоемкость указана как 108 Вт ч (1 батарея с 108 Вт ч).



ТРАНСПОРТИРОВКА (с крышкой для транспортировки). Пример: энергоемкость указана как 3 × 36 Вт ч (3 батареи по 36 Вт ч).

Тип батареи

DCN45RN работает от аккумуляторной батареи напряжением 18 В.

Могут применяться следующие типы батарей: DCB181, DCB182, DCB183, DCB183B, DCB184, DCB184B, DCB185, DCB187, DCB189, DCB546, DCB547, DCB548. Подробную информацию см. в **Технических характеристиках**.

Комплектация поставки

В комплектацию входит:

- 1 Гвоздезабивной пистолет
- 1 Зарядное устройство
- 1 Ионно-литиевая аккумуляторная батарея (модели C1, D1, L1, M1, P1, S1, T1, X1, Y1)
- 2 Ионно-литиевые аккумуляторные батареи (модели C2, D2, L2, M2, P2, S2, T2, X2, Y2)
- 3 Ионно-литиевые аккумуляторные батареи (модели C3, D3, L3, M3, P3, S3, T3, X3, Y3)
- 1 Руководство по эксплуатации

ПРИМЕЧАНИЕ: Аккумуляторные батареи, зарядные устройства и инструментальные ящики не входят в комплект поставки для моделей N. Аккумуляторные батареи и зарядные устройства не входят в комплект поставки для моделей NT. Модели V оснащены аккумуляторной батареей Bluetooth®.

ПРИМЕЧАНИЕ: Словесный товарный знак и логотип Bluetooth® являются зарегистрированными товарными знаками Bluetooth®, SIG, Inc. любое использование этих

знаков DEWALT лицензировано. Другие торговые марки и названия принадлежат их владельцам.

- Проверьте инструмент, детали и дополнительные принадлежности на наличие повреждений, которые могли произойти во время транспортировки.
- Перед началом работы необходимо внимательно прочитать настоящее руководство и принять к сведению содержащуюся в нем информацию.

Маркировка инструмента

На инструмент нанесены следующие обозначения:



Перед началом работы прочтите руководство по эксплуатации.



Используйте защитные наушники.



Используйте защитные очки.



Длина гвоздей.



Толщина гвоздей.



Емкость магазина.



Соответствующий угол установки гвоздей в магазине.

Место положения кода даты (Рис. А)

Код даты **10**, который также включает в себя год изготовления, отштампован на поверхности корпуса инструмента.

Пример:

2020 XX XX
Год изготовления

Описание (Рис. А)



ВНИМАНИЕ: Никогда не вносите изменения в конструкцию электроинструмента или какой-либо его части. Это может привести к повреждению или травме.

- | | |
|--|--|
| 1 Аккумуляторная батарея | 5 Дискорой регулятор глубины забивания |
| 2 Отпирающая кнопка батареи | 6 Крышка барабана |
| 3 Курковый пусковой выключатель | 7 Верхняя крышка |
| 4 Блокировка куркового пускового выключателя | 8 Дверца отсека для гвоздей |
| | 9 Крепление для ремня |

Назначение

Аккумуляторный DCN45RN кровельный гвоздезабиватель предназначен для вбивания гвоздей в деревянные заготовки.

Не используйте в условиях повышенной влажности или близости от легковоспламеняющихся жидкостей или газов.

Данный аккумуляторный гвоздезабиватель является профессиональным электроинструментом.

Не разрешайте детям прикасаться к инструменту.

Использование инструмента неопытными пользователями должно происходить под контролем опытного лица.

- Данный инструмент не предназначен для использования лицами (включая детей) с ограниченными физическими, психическими и умственными возможностями, не имеющими опыта, знаний или навыков работы с ним, если они не находятся под наблюдением лица, ответственного за их безопасность. Никогда не оставляйте детей без присмотра с этим инструментом.

СБОРКА И РЕГУЛИРОВКА



ВНИМАНИЕ: Чтобы снизить риск получения серьезной травмы, необходимо выключить инструмент и отсоединить батарею, прежде чем выполнять какую-либо регулировку либо удалять/устанавливать какие-либо насадки или дополнительные принадлежности.

Случайный запуск может привести к травме.



ВНИМАНИЕ: Используйте только зарядные устройства и аккумуляторные батареи марки .

Установка и извлечение аккумуляторной батареи из инструмента (Рис. В)

ПРИМЕЧАНИЕ: Убедитесь, что аккумуляторная батарея **1** полностью заряжена.

Установка батареи в рукоятку инструмента

- 1 Совместите аккумуляторную батарею **1** с выемкой на внутренней стороне рукоятки (Рис. В).
- 2 Задвиньте ее в рукоятку так, чтобы аккумуляторная батарея плотно встала на место и убедитесь, что услышали щелчок от вставшего на место замка.

Извлечение батареи из инструмента

- 1 Нажмите кнопку фиксатора батареи **2** и вытащите батарею из рукоятки.
- 2 Вставьте батарею в зарядное устройство, как указано в разделе данного руководства, посвященном зарядному устройству.

Датчик уровня заряда аккумуляторной батареи (Рис. В)

В некоторых аккумуляторных батареях есть датчик заряда, который включает три зеленых светодиодных индикатора, показывающих уровень оставшегося заряда аккумуляторной батареи.

Для включения датчика заряда, нажмите и удерживайте кнопку датчика заряда **13**. Загорятся три зеленых светодиода, показывая уровень оставшегося заряда. Когда уровень заряда аккумуляторной батареи будет ниже уровня,

необходимого для использования, светодиоды перестанут гореть и аккумуляторную батарею следует зарядить.

ПРИМЕЧАНИЕ: Датчик заряда аккумуляторной батареи показывает уровень оставшегося заряда. Он не показывает работоспособность устройства и его показания могут меняться в зависимости от компонентов продукта, температуры и сфер применения.

Вращающийся крюк для ремня (Рис. А)

Вращающийся крюк для ремня 9 можно легко разместить как слева, так и справа от инструмента, в зависимости от того, левой или правой является пользователь.

Если крюк вам не нужен, то его можно повернуть на переднюю или заднюю часть ручки.

ЭКСПЛУАТАЦИЯ

Инструкции по использованию



ВНИМАНИЕ: Всегда следуйте указаниям действующих норм и правил безопасности.



ВНИМАНИЕ: Чтобы снизить риск получения серьезной травмы, необходимо выключить инструмент и отсоединить батарею, прежде чем выполнять какую-либо регулировку или удалять/устанавливать какие-либо насадки или дополнительные принадлежности. Случайный запуск может привести к травме.

Правильное положение рук во время работы (Рис. А, D)



ВНИМАНИЕ: Для уменьшения риска получения тяжелой травмы, **ВСЕГДА** правильно удерживайте инструмент, как показано на рисунке.



ВНИМАНИЕ: Для уменьшения риска получения тяжелой травмы, **ВСЕГДА** надёжно удерживайте инструмент, предупреждая внезапные сбои в работе.

При правильном положении рук одна рука должна находиться на рукоятке инструмента 12, как показано на рисунке.

Контактный режим

Контактный режим используется для быстрого забивания гвоздей в ровную, устойчивую поверхность и обычно этот режим используется при забивании коротких гвоздей.

Использование инструмента в контактном режиме

1. Нажмите на курковый пусковой выключатель.
2. Прижмите контактный упор к поверхности заготовки. Каждый раз при прижимании контактного упора будет забиваться гвоздь, до тех пор, пока остается нажатым курковый пусковой выключатель. Этот метод позволяет последовательно забивать несколько гвоздей подряд.



ВНИМАНИЕ: Не удерживайте курковый пусковой выключатель в нажатом положении, если инструмент не используется. Если инструмент

не используется, задействуйте блокировку пускового выключателя.



ВНИМАНИЕ: Во время работы двигателя инструмент будет выстреливать гвоздем при нажатии на курковый пусковой выключатель или прижатии контактного упора.

Подготовка инструмента



ПРИМЕЧАНИЕ: НИКОГДА не распыляйте и не наносите никаким другим образом внутрь инструмента смазочные материалы или чистящие растворители. Это может привести к значительному сокращению срока службы и снижению производительности инструмента.

ПРИМЕЧАНИЕ: При покупке батарея заряжена не полностью. Следуйте указаниям (см. раздел «Зарядка аккумуляторной батареи»).

1. Ознакомьтесь с **правилами эксплуатации гвоздезабивателя** в данном руководстве.
2. Используйте средства защиты органов слуха и зрения.
3. Снимите аккумуляторную батарею с инструмента.
4. Убедитесь в том, что в магазине не остались крепежные детали.
5. Проверьте правильность работы контактного упора. Не используйте инструмент, если какая-либо часть инструмента работает неправильно. **ЗАПРЕЩАЕТСЯ** использовать инструмент, если контактный упор зафиксирован в активном положении.
6. Не направляйте инструмент на себя и на других.
7. Установите полностью заряженный аккумулятор.

Блокировка куркового пускового выключателя (Рис. D)

На каждом гвоздезабивном пистолете DeWALT предусмотрена блокировка пускового выключателя 4. При установке блокиратора в правое положение, как показано на Рисунке D, происходит блокировка пускового выключателя и прерывание цепи питания электродвигателя. Если блокировка установлена в левое положение, инструмент полностью готов к работе. При выполнении регулировки или если инструмент не используется, курковый пусковой выключатель должен быть заблокирован.

Загрузка инструмента (Рис. E–G)



ВНИМАНИЕ: Не направляйте инструмент на себя и на других.



ВНИМАНИЕ: Никогда не заряжайте инструмент при нажатом контактном упоре или курковом пусковом выключателе.



ВНИМАНИЕ: Перед загрузкой гвоздей в инструмент или выгрузкой из него, всегда снимайте аккумуляторную батарею.

! **ПРЕДУПРЕЖДЕНИЕ:** Следите за тем, чтобы пальцы не оказались на пути движения защелки толкателя – это может повлечь за собой травмы.

! **ВНИМАНИЕ:** Блокировка куркового пускового выключателя всегда должна быть задействована при выполнении регулировки или если инструмент не используется.

- Надавите на затвор **13** и откройте дверцу отсека для гвоздей **8**.
- Поверните крышку барабана **6** в открытое положение.
- Отрегулируйте платформу для гвоздей **15** в соответствии с длиной гвоздей, которые будут использоваться.
 - Откните платформу для гвоздей и переместите ее вдоль направляющей, чтобы установить одно из трех положений.
 - Верните платформу на место, убедившись, что язычок **16** надежно закреплен в одном из трех пронумерованных пазов.

Платформа для гвоздей	Длина гвоздей
Положение 1	22 мм
Положение 2	25 мм - 33 мм
Положение 3	38 мм - 45 мм

- Установите обойму на платформу для гвоздей. Вставьте крепежные элементы остриями вниз. **ВАЖНО:** Крепежные элементы должны быть направлены в том же направлении, в котором они будут забиваться.
- Разверните достаточное количество гвоздей (примерно 76 мм), чтобы достичь носовой части инструмента.
- Вставьте первый гвоздь в носовую часть, а второй - между двумя направляющими подающего кулачка. **ПРИМЕЧАНИЕ:** Будьте осторожны, чтобы не деформировать обойму гвоздей во время процесса загрузки. В противном случае дверца отсека для гвоздей не закроется, и при подаче гвоздей могут происходить сбои.
- Закройте дверцу отсека, убедившись, что затвор полностью задействован.
- Полностью закройте крышку барабана.

Загрузка инструмента (Рис. Е–G)

! **ВНИМАНИЕ:** При выполнении регулировки или если инструмент не используется, курковый пусковой выключатель всегда должен быть заблокирован.

- Надавите на затвор **13** и откройте дверцу отсека для гвоздей **8**.
- Поверните крышку барабана **6** в открытое положение.
- Снимите обойму с платформы для гвоздей.

Регулировка глубины забивания (Рис. H)

Глубину забивания гвоздей можно регулировать с помощью специального дискового регулятора **5**, расположенного на носовой части инструмента.

! **ВНИМАНИЕ:** Во избежание серьезной травмы в результате случайного включения в процессе регулировки глубины, необходимо ВСЕГДА делать следующее:

- Снимите аккумуляторную батарею.
- Задействуйте блокировку пускового выключателя.
- Всегда направляйте носовую часть гвоздезабивателя в сторону от себя.
- Избегайте контакта с курковым пусковым выключателем в процессе регулировки.

Глубину забивания гвоздей можно регулировать с помощью специального дискового регулятора **5**, расположенного на носовой части инструмента. Глубина привода отрегулирована на заводе до номинального значения. Выполните пробный выстрел гвоздем и проверьте глубину. Если необходимо внести изменения:

- Для более глубокого забивания гвоздей поворачивайте дисковой регулятор вправо. Настройка 5 - для самого глубокого забивания.
- Чтобы уменьшить глубину забивания, поворачивайте дисковой регулятор влево. Настройка 1 - для самого неглубокого забивания.

Снова выполните пробный выстрел гвоздем и проверьте глубину. Повторите, пока не будет достигнут желаемый результат. Требуемое количество воздуха зависит от размера крепежного элемента и скрепляемого материала. Поэкспериментируйте с настройкой давления воздуха, чтобы определить минимальную настройку, подходящую для выполнения работ. Давление воздуха, превышающее требуемое, может привести к преждевременному износу и/или повреждению инструмента.

Устранение заклинивания (Рис. I)

Если гвоздезабивной пистолет используется для выполнения работ, требующих приложения большой энергии, инструмент может заклинить. Привод не завершает полностью цикл работы и загорается индикатор зажима гвоздя/заклинивания. Поверните рычаг освобождения при заклинивании **14** на инструменте и механизм будет снова готов к работе. Если лезвие привода автоматически не возвращается в свое исходное положение см. раздел «Освобождение зажатого гвоздя». Если инструмент не начинает работу, проверьте, соответствует ли выбор режима, материала и длина гвоздя характеру выполняемой работы.

Если инструмент регулярно останавливается, проверьте, правильно ли выбрана скорость. Разный характер выполняемой работы может требовать разные значения установленной скорости на инструменте.

Освобождение зажатого гвоздя (Рис. А, Е–G)

Если в носовой части инструмента зажат гвоздь, то направьте инструмент в противоположную сторону от себя и выполните следующие действия для извлечения гвоздя:

ПРИМЕЧАНИЕ: Гвоздь может застрять из-за мусора, скопившегося в канале носовой части. Проверьте носовую часть и сразу же очистите ее от мусора как описано ниже, если заметите какие-либо изменения в работе инструмента.

1. Снимите аккумуляторную батарею с инструмента и задействуйте блокировку пускового выключателя.
2. Надавите на затвор **13** и откройте дверцу отсека для гвоздей **8**.
3. Откройте крышку барабана **6**.
4. Извлеките застрявший гвоздь.
5. Исправьте любую деформацию, которая могла возникнуть в гвоздевой обойме.

Если гвозди постоянно зажимаются в носовой части, доставьте инструмент в авторизованный сервисный центр DEWALT для техобслуживания.

ТЕХНИЧЕСКОЕ ОБСЛУЖИВАНИЕ

Электроинструмент имеет длительный срок эксплуатации и требует минимальных затрат на техобслуживание. Для длительной безотказной работы необходимо обеспечить правильный уход за инструментом и его регулярную очистку.



ВНИМАНИЕ: Чтобы снизить риск получения серьезной травмы, необходимо выключить инструмент и отсоединить батарею, прежде чем выполнять какую-либо регулировку либо удалять/устанавливать какие-либо насадки или дополнительные принадлежности.

Случайный запуск может привести к травме.

Зарядное устройство и аккумуляторные батареи не подлежат ремонту.



Смазка

Ваш электроинструмент не требует дополнительной смазки.



Чистка



ВНИМАНИЕ: Выдувайте грязь и пыль из корпуса сухим сжатым воздухом по мере видимого скопления грязи внутри и вокруг вентиляционных отверстий. Выполняйте очистку, надев средство защиты глаз и респиратор утвержденного типа.



ВНИМАНИЕ: Никогда не используйте растворители или другие агрессивные химические средства для очистки неметаллических деталей инструмента. Эти химикаты могут ухудшить свойства материалов, примененных в данных деталях. Используйте ткань, смоченную в воде с мягким мылом. Не допускайте попадания какой-либо жидкости внутрь инструмента; ни в коем случае не погружайте какую-либо часть инструмента в жидкость.

Дополнительные принадлежности



ВНИМАНИЕ: Поскольку принадлежности, отличные от тех, которые предлагает DEWALT, не проходили тесты на данном изделии, то использование этих принадлежностей может привести к опасной ситуации. Во избежание риска получения травмы, с данным продуктом должны использоваться только рекомендованные DEWALT дополнительные принадлежности.

По вопросу приобретения дополнительных принадлежностей обращайтесь к Вашему дилеру.

Замена возвратной пружины (Рис. J–M)

Со временем возвратная пружина лезвия толкателя изнашивается и возможно потребуется ее замена. Возможно потребуется замена пружины, если лезвие толкателя не возвращается в исходное положение после каждого удара. Чтобы проверить – откройте магазин как описано в разделе «Освобождение застрявшего гвоздя» и попробуйте перемещать привод вперед и назад в канале ствола. Если пружина изношена, то сопротивление будет недостаточно сильным.



ВНИМАНИЕ: В целях безопасности, перед использованием каких-либо дополнительных приспособлений внимательно прочтите руководство по эксплуатации. невыполнение этих инструкций может привести к травме и серьезным повреждениям инструмента и его принадлежности. При проведении технического обслуживания инструмента используйте только оригинальные запасные части.

ПРИМЕЧАНИЕ: Для вашего удобства и чтобы проверить комплектацию, все механические детали из комплекта замены пружины показаны в руководстве.

Чтобы заменить поврежденную возвратную пружину

1. Ослабьте два винта **17** с каждой стороны инструмента. См. Рисунок J.
2. Извлеките возвратный механизм **18** из инструмента. См. Рисунок K.
3. Снимите пружинную защелку **19** со штока **20**. См. Рисунок L.
4. Поверните и извлеките пружинный бампер **21** и снимите шайбу **22** и возвратную пружину **23**. См. Рисунок M.
5. Установите новую возвратную пружину и шайбу на шток **20**. Сжимая пружину с помощью шайбы около противоположного края штока, поверните новый пружинный бампер так, чтобы он прошел паз до щелчка штока.
6. Надежно установите новую защелку на шток и поставьте бампер около защелки.

ПРИМЕЧАНИЕ: Проверьте возвратный ход профиля, отодвинув профиль над пружинной дорожкой и

отпустив его. Он должен вернуться на место под действием пружин.

- Установите возвратный механизм **18** назад в инструмент. Необходимо совместить профиль и маховик перед тем, как зафиксировать возвратный механизм на инструменте. Это можно сделать установив аккумулятор прижав наконечник инструмента к верстаку или твердой поверхности. Это заставит электродвигатель вращаться.

ПРИМЕЧАНИЕ: Когда профиль и маховик правильно совмещены вы услышите, что двигатель сделает откат назад на полной скорости. Если профиль и маховик совмещены неправильно, двигатель может не запуститься, или может работать медленнее чем обычно с громким скрежещущим звуком. Если это произошло, снимите и установите заново возвратный механизм.



ВНИМАНИЕ: Всегда проверяйте инструмент, забивая короткие гвозди в мягкое дерево, чтобы убедиться в том, что инструмент работает правильно. Если инструмент не работает как следует, немедленно обратитесь в авторизованный сервисный центр DEWALT.

Замена профиля (Рис. N)

Чтобы заменить поврежденный или изношенный профиль

- См. шаги 1-4 в разделе «**Замена возвратной пружины**», чтобы извлечь возвратный механизм из инструмента и снять пружины.
- Пометьте себе расположение профиля **24**. Снимите профиль с направляющей **20**.
- Установите новый профиль на направляющую в том же направлении, в каком был установлен старый профиль.
- См. шаги 5-7 в разделе «**Замена возвратной пружины**», чтобы закончить замену.

Защита окружающей среды



Отдельная утилизация. Изделия и аккумуляторные батареи с данным символом на маркировке запрещается утилизировать с обычными бытовыми отходами.

Изделия и аккумуляторные батареи содержат материалы, которые могут быть извлечены или переработаны, снижая потребность в исходном сырье. Пожалуйста, утилизируйте электрические изделия и аккумуляторные батареи в соответствии с местными нормами. Дополнительная информация доступна по адресу www.2helpU.com.

Аккумуляторная батарея

Данную аккумуляторную батарею с длительным сроком эксплуатации необходимо перезаряжать, когда она перестает обеспечивать питание, необходимое для выполнения определенных работ. По окончании срока эксплуатации ее следует утилизировать, соблюдая при этом необходимые меры по защите окружающей среды:

- полностью разрядите батарею до конца и извлеките ее из инструмента.

- литий-ионные аккумуляторные батареи подлежат вторичной переработке. Сдайте их нашему дилеру или в местный центр вторичной переработки. В этих пунктах батареи будут подвергнуты повторной переработке или правильной утилизации.

НЕИСПРАВНОСТИ И СПОСОБЫ ИХ УСТРАНЕНИЯ

БОЛЬШИНСТВО ПРОБЛЕМ МОЖНО ЛЕГКО РАЗРЕШИТЬ ПРЕДЛОЖЕННЫМИ В ТАБЛИЦЕ СПОСОБАМИ.

Если возникают серьезные или постоянные проблемы, обратитесь в ближайшему авторизованному агенту по ремонту инструментов DeWALT или к офис DeWALT по адресу, указанному в руководстве.



ВНИМАНИЕ: Во избежание риска получения серьезных травм, ВСЕГДА блокируйте инструмент и отключайте батарею от инструмента перед тем, как приступить к ремонту.

НЕИСПРАВНОСТЬ	ПРИЧИНА	СПОСОБ УСТРАНЕНИЯ
Электродвигатель не работает при нажатии на курковый пусковой выключатель	Курковый пусковой выключатель заблокирован	Разблокируйте курковый пусковой выключатель.
	Инструмент остановился, электродвигатель не работает	Поверните рычаг освобождения при заклинивании на инструменте и механизм будет снова готов к работе. Если лезвие толкателя не возвращается в исходное положение, извлеките аккумуляторную батарею и вручную верните его на место.
	Необходим сброс управляющей электроники инструмента	Извлеките аккумуляторную батарею, подождите 3 секунды и вставьте ее обратно.
	Электродвигатель перестает работать через 5 секунд	Нормальная работа, отпустите пусковой выключатель и нажмите на него еще раз.
	Загрязнены или повреждены терминалы	Обратитесь к авторизованному агенту по ремонту DeWALT.
	Повреждение управляющей электроники	Обратитесь к авторизованному агенту по ремонту DeWALT.
	Поврежден пусковой выключатель	Обратитесь к авторизованному агенту по ремонту DeWALT.
Перегрев аккумуляторной батареи	Перегрев аккумуляторной батареи	Дайте аккумуляторной батарее остыть или замените ее на другую, холодную.
	Перегрев инструмента	Прежде, чем продолжить использование инструмента, дайте ему остыть.
Электродвигатель не работает при прижатом контактном упоре	Курковый пусковой выключатель заблокирован	Разблокируйте курковый пусковой выключатель.
	Инструмент остановился, электродвигатель не работает	Поверните рычаг освобождения при заклинивании на инструменте и механизм будет снова готов к работе. Если лезвие толкателя не возвращается в исходное положение, извлеките аккумуляторную батарею и вручную верните его на место.
	Погнутый контактный упор	Обратитесь к авторизованному агенту по ремонту DeWALT.
	Электродвигатель перестает работать через 5 секунд	Нормальная работа, отпустите пусковой упор и прижмите его еще раз.
	Загрязнены или повреждены терминалы	Обратитесь к авторизованному агенту по ремонту DeWALT.
	Повреждение управляющей электроники	Обратитесь к авторизованному агенту по ремонту DeWALT.
	Поврежден пусковой выключатель	Обратитесь к авторизованному агенту по ремонту DeWALT.
Перегрев аккумуляторной батареи	Перегрев аккумуляторной батареи	Дайте аккумуляторной батарее остыть или замените ее на другую, холодную.
	Перегрев инструмента	Прежде, чем продолжить использование инструмента, дайте ему остыть.
Инструмент не срабатывает (двигатель работает, но гвозди не забиваются)	Низкий уровень заряда аккумуляторной батареи или повреждена аккумуляторная батарея	Проверьте уровень заряда аккумуляторной батареи, если он отображается. При необходимости зарядите или замените аккумуляторную батарею.
	Зажатый гвоздь/лезвие привода не возвращается в исходное положение	Снимите аккумуляторную батарею, вытащите зажатый гвоздь, передерните рычаг освобождения (при необходимости вручную толкните лезвие привода), установите на место аккумуляторную батарею.
	Поврежден узел привода/возвратного механизма	Замените узел привода/возвратного механизма. Обратитесь к авторизованному агенту по ремонту DeWALT.
	Заклинило внутренний механизм	Обратитесь к авторизованному агенту по ремонту DeWALT.
	Повреждение управляющей электроники	Обратитесь к авторизованному агенту по ремонту DeWALT.
Электродвигатель запускается, но работает слишком шумно	Зажатый гвоздь и лезвие привода заклинено в нижнем положении	С помощью рычага высвобождения, вытащите все зажатые гвозди и при необходимости верните лезвие привода в исходное положение вручную.
	Поврежден узел привода/возвратного механизма	Замените узел привода/возвратного механизма. Обратитесь к авторизованному агенту по ремонту DeWALT.

НЕИСПРАВНОСТЬ	ПРИЧИНА	СПОСОБ УСТРАНЕНИЯ
Лезвие привода продолжает застревать в нижнем положении	Зажатый гвоздь и лезвие привода заклинено в нижнем положении	С помощью рычага высвобождения, вытащите все зажатые гвозди и при необходимости верните лезвие привода в исходное положение вручную.
	Поврежден узел привода/возвратного механизма	Замените узел привода/возвратного механизма. Обратитесь к авторизованному агенту по ремонту DeWALT.
	Материал и длина гвоздей	Если инструмент продолжает заклинивать (вынуждая использовать рычаг высвобождения) выберите соответствующий материал и длину гвоздя, в зависимости от выполняемой работы.
	Мусор в носовой части	Очистите носовую часть и проверьте, не застряли ли в стволе частички отломившихся гвоздей.
	Инструмент не работает на полную силу	Для приработки нового инструмента нужно забить 500-1000 гвоздей. В течение этого периода старайтесь забивать короткие гвозди, если испытываете затруднения в работе.
	Используется неверная скорость	Забивайте длинные круглые ребристые гвозди в мягкий материал или круглые ребристые гвозди в более твердые материалы на скорости 1 — установите скорость в положение 2.
Инструмент гвозди элементы не до конца	Установлена слишком малая глубина забивания гвоздей	Отрегулируйте глубину, повернув соответствующий регулятор.
	Инструмент неплотно прилегает к рабочей поверхности	Приложите соответствующее усилие к инструменту, плотно прижимая его к заготовке. См. руководство по эксплуатации.
	Материал и длина гвоздей	Если инструмент продолжает заклинивать (вынуждая использовать рычаг высвобождения), выберите соответствующий материал и длину гвоздя, в зависимости от выполняемой работы.
	Поврежденный или изношенный конец лезвия привода	Замените узел привода/возвратного механизма. Обратитесь к авторизованному агенту по ремонту DeWALT.
	Поврежден механизм привода	Обратитесь к авторизованному агенту по ремонту DeWALT.
	Инструмент не работает на полную силу	Для приработки нового инструмента нужно забить 500-1000 гвоздей. В течение этого периода старайтесь забивать короткие гвозди, если испытываете затруднения в работе.
	Используется неверная скорость	Забивайте длинные круглые ребристые гвозди в мягкий материал или круглые ребристые гвозди в более твердые материалы на скорости 1 — установите скорость в положение 2.
Инструмент работает, но гвозди не забиваются	В магазине нет гвоздей	Загрузите гвозди в магазин.
	Неверный размер или угол наклона гвоздей	Используйте только рекомендованные гвозди. См. Технические характеристики.
	Мусор в носовой части	Очистите носовую часть и проверьте, не застряли ли в стволе частички отломившихся гвоздей.
	Мусор в магазине	Очистите магазин.
	Изношен магазин	Замените магазин. Обратитесь к авторизованному агенту по ремонту DeWALT.
	Поврежденное или изношенное лезвие привода	Замените лезвие привода. Обратитесь к авторизованному агенту по ремонту DeWALT.
	Повреждена пружина толкателя	Замените пружину; обратитесь к авторизованному агенту по ремонту DeWALT.

НЕИСПРАВНОСТЬ	ПРИЧИНА	СПОСОБ УСТРАНЕНИЯ
Гвоздь зажат	Неверный размер или угол наклона гвоздей	Используйте только рекомендованные гвозди. См. раздел «Технические характеристики» .
	Поврежденное или изношенное лезвие привода	Замените лезвие привода. Обратитесь к авторизованному агенту по ремонту DEWALT.
	Материал и длина гвоздей	Если инструмент продолжает заклинивать (вынуждая использовать рычаг высвобождения) выберите соответствующий материал и длину гвоздя, в зависимости от выполняемой работы.
	Мусор в носовой части	Очистите носовую часть и проверьте, не застряли ли в стволе частички отломившихся гвоздей.
	Изношен магазин	Замените магазин. Обратитесь к авторизованному агенту по ремонту DEWALT.
	Повреждена пружина толкателя	Замените пружину. Обратитесь к авторизованному агенту по ремонту DEWALT.



Приложение к руководству по эксплуатации электрооборудования для определения месяца производства по номеру текущей календарной недели года

Электрооборудование торговых марок "Dewalt", "Stanley", "Stanley FatMAX", "BLACK+DECKER".

Директивы 2014/30/EU ЕВРОПЕЙСКОГО ПАРЛАМЕНТА И СОВЕТА от 26 февраля 2014 г. "О гармонизации законодательства Государств-членов ЕС в области электромагнитной совместимости", 2006/42/ЕС ЕВРОПЕЙСКОГО ПАРЛАМЕНТА И СОВЕТА от 17 мая 2006 г. "О машинах и оборудовании"; 2014/35/EU ЕВРОПЕЙСКОГО ПАРЛАМЕНТА И СОВЕТА от 26 февраля 2014 г. "О гармонизации законодательства государств-членов в области размещения на рынке электрооборудования, предназначенного для использования в определенных пределах напряжения". Серийный выпуск.

ТОВАР СЕРТИФИЦИРОВАН

Орган по сертификации "РОСТЕСТ- Москва", Адрес: 119049, г. Москва, улица Житная, д. 14, стр. 1; 117418, Москва, Нахимовский просп., 31 (фактический); Телефон: (499) 1292311, (495) 6682893, факс: (495) 6682893, E-mail: office@rostest.ru

Изготовитель: Изготовитель: Блэк энд Деккер Холдингс ГмбХ, Германия, 65510, Идштайн, ул. Блэк энд Деккер, 40, тел. +496126212790.

Уполномоченное изготовителем юр.лицо:

ООО "Стэкли Блэк энд Деккер", 117485, город Москва, улица Обручева, дом 30/1, строение 2
Телефон: + 7 (495) 258-3981, факс: + 7 (495) 258-3984, E-mail: inbox@dewalt.com

Сведения о импортере указаны в сопроводительной документации и/или на упаковке

Хранение.

Необходимо хранить в сухом месте, вдали от источников повышенных температур и воздействия солнечных лучей. При хранении необходимо избегать резкого перепада температур. Хранение без упаковки не допускается

Срок службы.

Срок службы изделия составляет 5 лет. Не рекомендуется к эксплуатации по истечении 5 лет хранения с даты изготовления без предварительной проверки.

Дата изготовления (код даты) указана на корпусе инструмента.

Код даты, который также включает год изготовления, отштампован на поверхности корпуса изделия.

Пример:

2014 46 XX, где 2014 –год изготовления, 46–неделя изготовления.

Определить месяц изготовления по указанной неделе изготовления можно согласно приведенной ниже таблице.

Транспортировка.

Категорически не допускается падение и любые механические воздействия на упаковку при транспортировке.

При разгрузке/погрузке не допускается использование любого вида техники, работающей по принципу зажима упаковки.

Перечень критических отказов, возможные ошибочные действия персонала.

Не допускается эксплуатация изделия:

- При появлении дыма из корпуса изделия
- При поврежденном и/или оголенном сетевом кабеле
- при повреждении корпуса изделия, защитного кожуха, рукоятки
- при попадании жидкости в корпус
- при возникновении сильной вибрации
- при возникновении сильного искрения внутри корпуса

Критерии предельных состояний.

- При поврежденном и/или оголенном сетевом кабеле
- при повреждении корпуса изделия

Месяц	Январь	Февраль	Март	Апрель	Май	Июнь	Июль	Август	Сентябрь	Октябрь	Ноябрь	Декабрь	Год производства
Неделя	1	5	9	14	18	23	27	31	36	40	44	49	2018
	2	6	10	15	19	24	28	32	37	41	45	50	
	3	7	11	16	20	25	29	33	38	42	46	51	
	4	8	12	17	21	26	30	34	39	43	47	52	
			13		22			35			48		
Неделя	1	6	10	14	18	23	27	31	36	40	45	49	2019
	2	7	11	15	19	24	28	32	37	41	46	50	
	3	8	12	16	20	25	29	33	38	42	47	51	
	4	9	13	17	21	26	30	34	39	43	48	52	
	5				22			35		44			
Неделя	1	6	10	14	19	23	27	32	36	40	45	49	2020
	2	7	11	15	20	24	28	33	37	41	46	50	
	3	8	12	16	21	25	29	34	38	42	47	51	
	4	9	13	17	22	26	30	35	39	43	48	52	
	5				18		31			44			
Неделя	2	6	10	14	19	23	27	32	36	41	45	49	2021
	3	7	11	15	20	24	28	33	37	42	46	50	
	4	8	12	16	21	25	29	34	38	43	47	51	
	5	9	13	17	22	26	30	35	39	44	48	52	
					18		31		40			1	
Неделя	2	6	10	15	19	23	28	32	36	41	45	49	2022
	3	7	11	16	20	24	29	33	37	42	46	50	
	4	8	12	17	21	25	30	34	38	43	47	51	
	5	9	13	18	22	26	31	35	39	44	48	52	
				14		27			40			1	

АКУМУЛЯТОРНИЙ ПОКРІВЕЛЬНИЙ ЦВЯХОЗАБИВНИЙ ПІСТОЛЕТ DCN45RN

Вітаємо вас!

Ви обрали інструмент виробництва компанії DEWALT. Ретельна розробка продукції, багаторічний досвід фірми у виробництві інструментів, різні вдосконалення, все це зробило інструменти DEWALT є одними із найнадійніших помічників для тих, хто використовує електричні інструменти у своїй професії.

Технічні дані

		DCN45RN
Напруга	В <small>пост. струму</small>	18
Тип		1
Тип батареї		Літій-іонна
Пусковий режим		Удар
Кути бобіни цвяхів		15°
Кріпильні елементи		
довжина	мм	19-45
діаметр хвостовика	мм	3
діаметр головки	мм	10,1
тип хвостовика		Гладкий і круглий
місткість		120 цвяхів
Маса (без акумулятора)	кг	3,85
Значення рівня шуму та вібрації (триаксильна векторна сума) відповідно до стандарту EN62841- 2-??:		
L_{PA} (рівень тиску звукового випромінювання)	дБ(A)	83
L_{WA} (рівень звукової потужності)	дБ(A)	94
K (похибка для даного рівня гучності)	дБ(A)	3
Значення вібрації ah =		
	м/с ²	< 2,5
Похибка K =		
	м/с ²	1,5

Значення вібрації та/або шуму, наведене в цьому документі, було виміряне згідно зі стандартизованим тестом, викладеним в EN62841 та може використовуватись для порівняння інструментів. Це значення вібрації можна також використовувати для попередньої оцінки впливу вібрації.



ПОПЕРЕДЖЕННЯ: Заявлене значення вібрації та/або шуму відповідає вимогам цільового використання інструмента. Однак якщо інструмент використовується для виконання інших завдань, або з іншими витратними матеріалами/насадками, або не обслуговується належним чином, значення вібрації та/або шуму може відхилитися. Це може значно збільшити рівень впливу протягом усього періоду роботи.

Оцінка рівня впливу вібрації та/або шуму має враховувати час, протягом якого інструмент є вимкненим, а також час, протягом якого він є ввімкненим, але не використовується. Це може значно зменшити рівень впливу протягом усього періоду роботи.

Визначення додаткових заходів безпеки для захисту оператора від впливу вібрації та/або шуму: технічне обслуговування інструмента та приладдя, утримання рук у теплі (має значення для вібрації), організація режиму роботи.

Декларація про відповідність ЄС ДИРЕКТИВА ДЛЯ МЕХАНІЧНОГО ОБЛАДНАННЯ



Акумуляторний покрівельний цвяхозабивний пістолет DCN45RN

Компанія DEWALT заявляє, що ці продукти, описані у розділі «Технічні дані» відповідають:

2006/42/EC, EN60745-1:2009+A11:2010, EN60745-2:16:2010. Ці продукти також відповідають вимогам Директив 2014/30/EU та 2011/65/EU. Для отримання додаткової інформації, будь ласка, зверніться до компанії DEWALT за наступною адресою або прочитайте інформацію на зворотній стороні цього керівництва.

Нижчепідписаний несе відповідальність за упорядкування файлу технічних характеристик та робить цю заяву від компанії DEWALT.

Маркус Ромпель (Markus Rompel)
технічний директор, PTE-Euro
DEWALT, Richard-Klinger-Straße 11,
D-65510, Idstein, Німеччина
17.03.2020



ПОПЕРЕДЖЕННЯ: Уважно прочитайте керівництво з експлуатації для зниження ризику отримання травм.


Позначення: інструкції з техніки безпеки

Умовні позначення, наведені нижче, описують рівень важливості кожної попереджувальної вказівки. Прочитайте керівництво з експлуатації та зверніть увагу на символи, наведені нижче.


Батареї				Зарядні пристрої/час зарядки (у хвиликах)									
Кат. №	V _{dc}	Ah	Маса (kg)	DCB104	DCB107	DCB112	DCB113	DCB115	DCB116	DCB117	DCB118	DCB132	DCB119
DCB546	18/54	6,0/2,0	1,05	60	270	170	140	90	80	40	60	90	X
DCB547	18/54	9,0/3,0	1,46	75*	420	270	220	135*	110*	60	75*	135*	X
DCB548	18/54	12,0/4,0	1,44	120	540	350	300	180	150	80	120	180	X
DCB181	18	1,5	0,35	22	70	45	35	22	22	22	22	22	45
DCB182	18	4,0	0,61	60/40**	185	120	100	60	60/45**	60/40**	60/40**	60	120
DCB183/B	18	2,0	0,40	30	90	60	50	30	30	30	30	30	60
DCB184/B	18	5,0	0,62	75/50**	240	150	120	75	75/60**	75/50**	75/50**	75	150
DCB185	18	1,3	0,35	22	60	40	30	22	22	22	22	22	X
DCB187	18	3,0	0,54	45	140	90	70	45	45	45	45	45	90
DCB189	18	4,0	0,54	60	185	120	100	60	60	60	60	60	120

*Код дати 201811475B або пізніше

**Код дати 201536 або пізніше

 **НЕБЕЗПЕЧНО:** Указує на безпосередню загрозу, яка, якщо її не уникнути, призведе до смерті або серйозної травми.

 **ПОПЕРЕДЖЕННЯ:** Вказує на потенційну загрозу, ігнорування якої може призвести до смерті або серйозної травми.


 **УВАГА:** Вказує на потенційну загрозу, ігнорування якої може призвести до травми легкої або середньої тяжкості.

ПРИМІТКА: Вказує на ситуацію, не пов'язану з особою травмою, ігнорування цієї ситуації може призвести до пошкодження майна.

 Вказує на ризик ураження електричним струмом.

 Вказує на ризик виникнення пожежі.

ЗАГАЛЬНІ ПРАВИЛА БЕЗПЕКИ ПРИ ЕКСПЛУАТАЦІЇ ЕЛЕКТРИЧНОГО ІНСТРУМЕНТА

 **ПОПЕРЕДЖЕННЯ:** Ознайомтеся з усіма попередженнями, інструкціями з техніки безпеки, зображеннями та специфікаціями, які поставляються з даним електричним інструментом. Невиконання нижченаведених інструкцій може призвести до ураження електричним струмом, пожежі та/або серйозних тілесних ушкоджень.

ЗБЕРІГАЙТЕ ВСІ ПОПЕРЕДЖЕННЯ ТА ІНСТРУКЦІЇ ДЛЯ ПОДАЛЬШОГО ВИКОРИСТАННЯ

Термін «електричний інструмент» в усіх попередженнях стосується використовуваних вами інструментів, що живляться від мережі енергопостачання (з електричним кабелем) або від акумуляторів (без кабелю).

1) Безпека робочої зони

- Робоча зона завжди має бути чистою та добре освітленою.** Захаращена або темна робоча зона призводить до нещасних випадків.

- Не використовуйте електричні інструменти у вибухонебезпечній атмосфері, наприклад поруч із вогненебезпечними рідинами, газами та пилом.** Електричні інструменти створюють іскри, що можуть запалити пил або палу.
- Тримайте дітей та сторонніх подалі від використання інструмента.** Відвернення уваги може призвести до втрати контролю.

2) Електрична безпека

- Вилка електричного інструмента повинна відповідати розетці. Ніколи жодним чином не змінюйте вилку. Не використовуйте адаптери з замкнутими на землю (заземленими) електричними інструментами.** Немодифіковані вилки та розетки, що підходять до них, зменшують ризик ураження електричним струмом.
- Уникайте контакту тіла з заземленими поверхнями, такими як труби, радіатори, плити та холодильники.** Якщо ваше тіло заземлене, збільшується ризик ураження електричним струмом.
- Не залишайте електричні інструменти під дощем або в умовах підвищеної вологості.** Вода, що потрапляє в електричний інструмент, підвищує ризик ураження електричним струмом.
- Не використовуйте кабель живлення не за призначенням. Ніколи не переносьте, не тягніть та не відключайте електричний інструмент від розетки живлення за допомогою шнура.** Тримайте шнур подалі від високих температур, мастила, гострих предметів та рухомих деталей. Пошкоджені або перекручені шнури підвищують ризик ураження електричним струмом.
- При використанні електричного інструмента на вулиці, використовуйте подовжувальний шнур, що підходить для використання на вулиці.** Використання шнура, що призначений для використання поза приміщенням, знижує ризик ураження електричним струмом.

- f) Якщо неможливо уникнути використання електричного інструмента в умовах підвищеної вологості, використовуйте живлення, захищене пристроєм залишкового струму (RCD). Використання RCD знижує ризик ураження електричним струмом.

3) Особиста безпека

- a) **Будьте в стані готовності, дивіться, що ви робите, та будьте розсудливі, працюючи з електричним інструментом. Не використовуйте електричний інструмент, коли ви втомлені або знаходитесь під впливом наркотичних речовин, алкоголю або ліків.** Втрата уваги під час роботи з електричним інструментами може призвести до серйозних травм.
- b) **Використовуйте особисті засоби безпеки. Завжди використовуйте засоби захисту очей.** Засоби безпеки, такі як протипилова маска, неслизькі безпечні черевики, захисний шолом та засоби захисту слухового апарату при використанні для відповідних умов зменшують імовірність особистих травм.
- c) **Уникайте випадкового запуску. Переконайтесь в тому, що вимикач знаходиться в позиції Вимк., перш ніж підключати інструмент до джерела живлення та/або акумулятора, переміщувати або переносити.** Може статися нещасний випадок, коли ви перенесете інструмент, тримаючи палець на вимикачі, або підключаєте живлення до вимикача в позиції Увімк.
- d) **Зніміть усі ключі для регулювання або гайкові ключі, перш ніж вмикати електричний інструмент.** Гайковий ключ, що залишився прикріпленим до якоїсь деталі електричного пристрою, що обертається, може призвести до травм.
- e) **Не прикладайте надмірного зусилля. Завжди утримуйте правильну постановку ніг і рівновагу.** Це дає вам змогу краще контролювати інструмент в неочікуваних ситуаціях.
- f) **Одягайтеся відповідним чином. Не вдягайте вільний одяг або прикраси. Тримайте ваше волосся та одяг подалі від рухомих деталей.** Вільний одяг, прикраси або довге волосся можуть зачепитися за рухомі деталі.
- g) **Якщо передбачені пристрої для підключення до засобів виділення та збирання пилу, переконайтесь, що вони правильно підключені та використовуються.** Використання таких пристроїв зменшує ризик виникнення небезпечних ситуацій, що пов'язані з потраплянням пилу.
- h) **Навіть якщо ви добре знаєте інструмент та часто його використовуєте, не розслабляйтесь та не забувайте про принципи техніки безпеки.** Необережні дії можуть за долю секунди призвести до важких тілесних ушкоджень.

4) Використання електричного інструмента та догляд за ним

- a) **Не прикладайте надмірних зусиль під час роботи з інструментом. Використовуйте електричний інструмент, який відповідає завданню, що виконується.** Правильно обраний інструмент виконає завдання краще та безпечніше за умов, для яких він був розроблений.
- b) **Не використовуйте інструмент, якщо його неможливо ввімкнути та вимкнути за допомогою вимикача.** Будь-який електричний інструмент, яким неможливо керувати за допомогою вимикача, є небезпечним і має бути відремонтований.
- c) **Якщо вилка знімна, відключіть її від джерела живлення та/або вийміть акумулятор, перш ніж виконувати будь-які налаштування, змінювати додаткове обладнання або зберігати інструмент.** Ці профілактичні заходи зменшують ризик випадкового запуску електричного інструмента.
- d) **Зберігайте вимкнені електричні інструменти в недоступному для дітей місці та не дозволяйте особам, що не знайомі з електричним інструментом або цими інструкціями, використовувати електричний інструмент.** Електричні інструменти є небезпечними, якщо вони використовуються некваліфікованими користувачами.
- e) **Технічне обслуговування електричних інструментів та приладдя. Перевіряйте неспіввідповідність, заїдання рухомих деталей, наявність пошкоджених частин та інших факторів, які можуть впливати на роботу електричного інструмента.** Якщо є пошкодження, відремонтуйте електричний інструмент перед використанням. Нещасні випадки часто є результатом того, що інструмент не пройшов відповідного технічного обслуговування.
- f) **Різальні інструменти мають бути гострими та чистими.** Правильно доглянуті різальні інструменти з гострими різальними кромками мають меншу імовірність заїдання, та ними легше керувати.
- g) **Використовуйте електричний інструмент, додаткові інструменти та деталі інструменту тощо у відповідності до цих інструкцій та відповідно до даного типу електричних інструментів, зважаючи на умови використання та роботу, яка має бути виконана.** Використання електричних інструментів не за призначенням може призвести до виникнення небезпечних ситуацій.
- h) **Всі ручки та поверхні для тримання інструмента мають бути сухими, без залишків мастила.** Слизькі ручки та поверхні для тримання не дозволяють безпечно

працювати та контролювати інструмент у неочікуваних ситуаціях.

5) Використання та догляд за інструментом, що живиться від акумулятора

- a) **Заряджайте інструмент лише за допомогою зарядного пристрою, вказаного виробником.** Зарядний пристрій, що підходить до одного типу акумуляторів, може призвести до пожежі в разі використання з іншим акумулятором.
- b) **Використовуйте електричні інструменти лише з призначеними для них акумуляторами.** Використання інших акумуляторів може призвести до травм або пожежі.
- c) **Коли акумулятори не використовуються, зберігайте їх подалі від металевих предметів, як скріпки, монети, ключі, цвяхи, гвинти або інші невеликі предмети, що можуть призвести до замикання двох контактів.** Коротке замикання клем акумулятора може призвести до вибуху або пожежі.
- d) **За невідповідних умов використання рідина може витікати з акумулятора; уникайте контакту з цією рідиною.** Якщо контакт таки стався, промийте забруднену ділянку водою. Якщо рідина потрапила в очі, промийте водою та зверніться до лікаря. Рідина, що витікає з акумулятора, може призвести до подразнень та опіків.
- e) **Не використовуйте пошкоджені або модифікований акумулятор або інструмент.** Пошкоджені або модифіковані акумулятори можуть поводити себе непередбачуваним чином, призводячи до пожежі, вибуху або тілесним ушкодженням.
- f) **Не піддавайте акумулятор та інструмент дії вогню та надмірних температур.** Дія вогню або температури вище 130 °C може спричинити вибух.
- g) Виконуйте всі інструкції щодо зарядки; **заряджайте акумулятор та інструмент тільки в межах температурного діапазону, вказаного в інструкціях.** Неналежна зарядка або зарядка поза межами вказаного температурного діапазону може пошкодити акумулятор та підвищити ризик пожежі.

6) Обслуговування

- a) **Надавайте ваш електричний інструмент для обслуговування кваліфікованим спеціалістом з ремонту та використовуйте тільки ідентичні заміні деталі.** Це забезпечить безпеку електричного пристрою.
- b) **Ніколи не обслуговуйте пошкоджені акумулятори самостійно.** Обслуговування акумуляторів мають виконувати представники виробника або працівники офіційного сервісного центру.

Інструкції з безпеки для акумуляторних цвяхів

- **Завжди припускайте, що інструмент містить застібки.** Необережне поводження з цвяхом може призвести до несподіваного голодування і травм.
- **Не вказуйте інструмент на себе чи когось поблизу.** Несподіване спрацювання розвантажувача застібки, спричинивши травму.
- **Не вмикайте інструмент, якщо інструмент не буде щільно прилягати до заготовки.** Якщо інструмент не контактує із заготовлею, застібка може бути віддалена від вашої цілі.
- **Тримайте руки та частини тіла подалі від області вивантаження інструменту.** Під час використання НІКОЛИ не захоплюйте інструмент за журнал чи каністра, неправильно прибитий ніготь може вийти з носа, спричинивши травму.
- **Відключіть інструмент від джерела живлення, коли застібка застрягне в інструменті.** Під час виймання застряглої застібки, цвях може бути випадково активований, якщо він підключений.
- **Не використовуйте цей цвях для кріплення електричних кабелів.** Він не розроблений для встановлення електричного кабелю і може пошкодити ізоляцію електричних кабелів, тим самим спричинивши ураження електричним струмом або пожежу.



ПОПЕРЕДЖЕННЯ: Якщо інструмент був упушений або ви підозрюєте ушкодження інструменту, виконайте перевірку роботи інструменту, як визначено в розділі вибору режиму керування. Якщо це працює відповідно до посібника, припиніть користуватися інструментом і відправте його в сервісний центр DEWALT.

- Завжди носіть захисні окуляри.
- Завжди носіть засоби захисту вух.
- Використовуйте тільки кріплення типу, зазначеного в інструкції.
- Не використовуйте підставки для кріплення інструменту до опору.
- Не розбирайте та не блокуйте будь-які частини інструмента приводу кріплення, наприклад, контактне відключення.
- Перед кожною операцією перевірте, чи справно працює механізм безпеки та спрацювання і чи всі гайки та болти затягнуті.
- Не використовуйте DCN45RN
 - при переході від одного місяця руху до іншого, що передбачає використання лісів, сходів, драбин або сходових конструкцій, наприклад, решіток даху тощо;
 - при закритті ящиків або ящиків;
 - при встановленні систем безпеки транспорту, наприклад, на транспортних засобах, вагонах тощо.

На випадок звільнення перевірте місцеві національні норми на робочому місці.

- Завжди перевіряйте місцеві правила робочого місця.
- Не використовуйте інструмент як молоток.
- Ніколи не вмикайте інструмент для застіжки на вільний простір.
- У робочій зоні носіть інструмент на робочому місці, використовуючи лише одну руку, і ніколи не спрацьовуйте за допомогою крук.
- Розглянемо умови в робочій зоні. Кріплення може проникати в тонкі заготовки або зісковзувати з кутів і країв деталі, тим самим піддаючи людей небезпеці.
- Не засувайте кріплення впритул до краю заготовки.
- Не забувайте кріплення поверх інших кріпильних елементів.

Залишкові ризики

Наступні ризики притаманні використанню цих машин:

- Травми, спричинені неправильним поводженням із інструментом.
- Втрата контролю через неправильне захоплення інструменту.
- М'язове напруження рук і рук, особливо при роботі над головою. Завжди робіть регулярні перерви при роботі протягом тривалих періодів часу.

Незважаючи на застосування відповідних правил безпеки та впровадження запобіжних пристроїв, певних залишкових ризиків не уникнути. Це:

- Погіршення слуху.
- Ризик травмування людей через літаючі частинки.
- Ризик опіку через нагрівання аксесуарів під час операції.
- Ризик отримання травм через тривале використання.
- Втрата контролю, викликана віддачею.
- Небезпека травм, спричинених щипками, гострими краями та неправильним поводженням із заготовлю.
- Небезпека травм, спричинених гострими краями при зміні нігтів або вставлянні нігтьових паличок.

Зарядні пристрої

DeWALT не вимагають налаштувань і розроблені для максимально простого використання.

Електрична безпека

Електричний двигун розроблений для роботи лише з одним значенням напруги. Завжди перевіряйте, що напруга акумулятора відповідає напрузі, що вказана в технічних даних. Також переконайтесь, що напруга зарядного пристрою відповідає напрузі мережі живлення.



Ваш DeWALT Ваш зарядний пристрій виробництва компанії DeWALT має подвійну ізоляцію відповідно до EN60335; тому заземлення не є необхідним.

Якщо кабель живлення пошкоджений, його необхідно замінити на спеціальний кабель, який можна

замовити в офіційних сервісних центрах DeWALT. організація обслуговування.

Використання електричного подовжувача

Використовуйте подовжувальний шнур лише за абсолютної необхідності. Використовуйте лише рекомендований подовжувальний шнур, що відповідає споживаній потужності вашого зарядного пристрою (див. **Технічні дані**). Мінімальний розмір січення провідника становить 1 мм²; максимальна довжина — 30 м.

При використанні кабельного барабану завжди витягуйте весь кабель.

Важливі інструкції з техніки безпеки для всіх зарядних пристроїв

ЗБЕРІГАЙТЕ ЦІ ІНСТРУКЦІЇ: У цьому керівництві містяться важливі інструкції з техніки безпеки та використання для сумісних зарядних пристроїв (див. «**Технічні дані**»).

- *Перед використанням зарядного пристрою прочитайте всі інструкції та попередження на зарядному пристрої, акумуляторах та продукті, для якого ці акумулятори використовуються.*



ПОПЕРЕДЖЕННЯ: Небезпека ураження електричним струмом. Не допускайте потрапляння рідини в зарядний пристрій. Це може призвести до ураження електричним струмом.



ПОПЕРЕДЖЕННЯ: Ми рекомендуємо використовувати пристрій з керуванням диференційним струмом з номінальним значенням диференційного струму 30 мА або менше.



УВАГА: Небезпека опіку. Для зниження ризику виникнення травми заряджайте лише акумулятори DeWALT. акумуляторні батареї. Інші типи акумуляторів можуть вибухнути, спричинивши тілесні ушкодження та пошкодження майна.



УВАГА: Уважно слідкуйте за тим, щоб діти не гралася з пристроєм.

ПРИМІТКА: За певних умов, коли зарядний пристрій підключений до мережі живлення, незахищені контакти всередині зарядного пристрою можуть замкнутися будь-яким стороннім предметом. Сторонні предмети, що проводять струм, наприклад металева стружка, алюмінієва фольга або будь-які металеві деталі, необхідно зберігати подалі від зарядного пристрою. Завжди відключайте зарядний пристрій від розетки, коли батарея не встановлена в зарядний пристрій. Відключіть зарядний пристрій від мережі живлення перед його очищенням

- **НЕ намагайтеся заряджати акумулятор зарядними пристроями, що не вказані в цьому керівництві.** Зарядний пристрій та акумулятори даної моделі розроблені для сумісної експлуатації.
- **Ці зарядні пристрої не призначені ні для чого іншого, крім зарядки акумуляторів DeWALT акумуляторні батареї.** Використання з іншими

акумуляторами може призвести до виникнення пожежі або ураження електричним струмом.

- **Не піддавайте зарядний пристрій впливу дощу або снігу.**
- **При відключенні зарядного пристрою від мережі живлення тягніть за вилку, а не за кабель.** Це зменшить ризик пошкодження вилки та кабелю.
- **Переконайтесь, що кабель розміщений так, щоб на нього не наступали, не ходили по ньому та не піддавали його іншим фізичним впливам.**
- **Не використовуйте подовжувальний шнур окрім випадків, коли це абсолютно необхідно.** Використання невідповідних подовжувальних шнурів може призвести до пожежі або ураження електричним струмом.
- **Не кладіть будь-які предмети на зарядний пристрій та не залишайте зарядний пристрій на м'якій поверхні, що може заблокувати вентиляційні отвори та призвести до надмірного нагрівання.** Розташуйте зарядний пристрій подалі від джерел тепла. Зарядний пристрій вентилюється крізь отвори у верхній та нижній частинах корпусу.
- **Не використовуйте зарядний пристрій із пошкодженням кабелем або вилкою — їх потрібно негайно замінити.**
- **Не використовуйте зарядний пристрій, якщо той отримав різкий удар, впав або був пошкоджений іншим чином.** Віднесіть його до авторизованого сервісного центру.
- **Якщо зарядний пристрій вимагає технічного обслуговування або ремонту, не розбирайте його самотужки, а віднесіть до авторизованого сервісного центру.** Невідповідні способи використання можуть призвести до виникнення пожежі або ураження електричним струмом.
- Якщо кабель живлення пошкоджено, для уникнення небезпеки його необхідно негайно замінити, звернувшись до виробника, спеціаліста сервісного центру або іншого кваліфікованого спеціаліста.
- **Відключайте зарядний пристрій від розетки перед його очищенням.** Це дозволяє знизити ризик ураження електричним струмом. Видалення акумулятора не знижує ризик.
- **НИКОЛИ не намагайтесь з'єднувати два зарядні пристрої.**
- **Цей зарядний пристрій розрахований на роботу зі стандартною напругою побутової електромережі 230 В. Не намагайтесь використовувати його з іншою напругою.** Це не стосується автомобільних зарядних пристроїв.

Зарядка акумулятора (Рис. [Fig.] B)







1. Підключіть зарядний пристрій до відповідної розетки перед встановленням акумулятора.

2. Вставте акумулятор **1** у зарядний пристрій до упору. Червоний індикатор («зарядка») буде блимати, вказуючи на початок процесу зарядки.
3. Коли зарядку завершено, червоний індикатор горить, не блимаючи. Це означає, що акумулятор повністю заряджений та може використовуватися одразу або залишатися в зарядному пристрої. Щоб витягнути акумулятор із зарядного пристрою, натисніть кнопку деблокування **2** на акумуляторі.

ПРИМІТКА: щоб забезпечити максимальну продуктивність та тривалість роботи літій-іонного акумулятора, повністю зарядіть його перед першим використанням.

Робота зарядного пристрою

Нижче описані індикатори стану зарядки акумулятора.

Індикатори зарядки	
 Заряджається	
 Повністю заряджений	
 Затримка через надмірно високу/низьку температуру акумулятора*	

*Червоний індикатор буде продовжувати миготіти, а жовтий індикатор буде горіти під час виконання цього завдання. Коли акумулятор досягне прийнятної температури, жовтий індикатор згасне, а зарядний пристрій відновить процес зарядки.

Сумісний зарядний пристрій не буде заряджати несправний акумулятор. Зарядний пристрій розпізнає несправну батарею та не вмикне світловий індикатор.

ПРИМІТКА: Це також може свідчити про проблему з зарядним пристроєм.

Якщо виявлено проблему із зарядним пристроєм, віднесіть зарядний пристрій та акумулятор для перевірки в авторизований сервісний центр.

Затримка через надмірно високу/низьку температуру акумулятора

Якщо зарядний пристрій визначає, що акумулятор є надмірно гарячим або холодним, він автоматично вмикає режим температурної затримки, припиняючи процес зарядки, доки акумулятор не досягне відповідної температури. Після досягнення прийнятної температури зарядний пристрій автоматично перемикається в режим зарядки акумулятора. Ця функція забезпечує максимальний термін служби акумулятора.

Холодний акумулятор буде заряджатися повільніше порівняно з теплим акумулятором. Такий акумулятор буде заряджатися повільніше протягом всього циклу зарядки та не повернеться до максимального значення зарядки, навіть якщо нагріється.

Зарядний пристрій DCB118 оснащений внутрішнім вентилятором, призначеним для охолодження акумулятора. Вентилятор автоматично вмикається, коли акумулятор потребує охолодження. Ніколи не використовуйте зарядний

пристрій, якщо вентилятор працює неналежним чином або вентиляційні отвори заблоковані. Уникайте потрапляння сторонніх предметів усередину зарядного пристрою.

Електронна система захисту


Інструменти з літій-іонними акумуляторами XR розроблені з використанням електронної системи захисту, яка захищає акумулятор від перевантаження, перегрівання або глибокої розрядки.

Пристрій автоматично вимикається, якщо спрацьовує електронна система захисту. Якщо це сталося, встановіть літій-іонний акумулятор в зарядний пристрій до повної зарядки.

Кріплення на стіну

Ці зарядні пристрої можна закріпити на стіні, чи поставити на стіл або іншу робочу поверхню. При кріпленні на стіну розташуйте зарядний пристрій недалеко від електричної розетки, а також подалі від кутів та інших перешкод, що заважають повітряному потоку. Скористайтеся задньою частиною зарядного пристрою в якості шаблону для розташування кріпильних гвинтів на стіні. Надійно зафіксуйте зарядний пристрій за допомогою шурупів (потрібно придбати окремо) довжиною приблизно 25,4 мм з голівкою діаметром 7–9 мм, що закручуються в дерев'яну поверхню до оптимальної глибини, щоб залишилося приблизно 5,5 мм. Вирівняйте отвори на задній поверхні зарядного пристрою з виступаючими шурупами, після чого повністю вставте шурупи в отвори.

Інструкції з очищення зарядного пристрою

 **ПОПЕРЕДЖЕННЯ: Небезпека ураження електричним струмом. Відключіть зарядний пристрій від розетки змінного струму перед його очищенням.** Бруд та жир можна видалити з поверхні зарядного пристрою за допомогою ганчірки або м'якої неметалевої щітки. Не використовуйте воду та мильні розчини. Не дозволяйте рідині потрапляти всередину інструмента та ніколи не занурюйте деталі інструмента в рідину.

Акумулятор

Важливі інструкції з техніки безпеки для різних типів акумуляторів

При замовленні змінних акумуляторів не забудьте вказати номер за каталогом та напругу.

Новий акумулятор заряджений не повністю. Перед використанням акумулятора та зарядного пристрою прочитайте всі нижче наведені інструкції з техніки безпеки. Після цього виконайте всі вказані пункти процедури зарядки.

ПРОЧИТАЙТЕ ВСІ ІНСТРУКЦІЇ

- **Не заряджайте та не використовуйте акумулятор у вибухонебезпечних умовах, наприклад у присутності легкозаймистих рідин, газів або пилу.** Під час встановлення або виймання батареї з зарядного пристрою може спалахнути пил або пара.

- **На прикладайте зусилля, вставляючи акумулятор в зарядний пристрій. Жодним чином не модифікуйте акумулятор, аби встановити його в несумісний зарядний пристрій, адже акумулятор може розірватися та спричинити серйозні травми.**
- Використовуйте тільки зарядні пристрої DEWALT для заряджання акумуляторів.
- **НЕ занурюйте акумулятор у воду та інші рідини та не бризкайте на нього.**
- **Не зберігайте та не використовуйте інструмент та акумулятор у місцях, де температура може сягати або перевищувати 40 °C (104 °F) (наприклад, біля гаражів або металевих будівель влітку).**
- **Не спалюйте акумулятор, навіть якщо він сильно пошкоджений або повністю зношений.** Акумулятор може вибухнути у вогні. Коли літій-іонні акумулятори горять, утворюються токсичні випаровування та речовини.
- **Якщо вміст акумулятора потрапив на шкіру, негайно промийте це місце м'яким милом та водою.** Якщо рідина з акумулятора потрапила в очі, промийте відкрите око протягом 15 хвилин або доки подразнення не зникне. Якщо необхідно звернутися до лікаря, акумуляторний електроліт складається з суміші рідких органічних вуглекислих солей та солей літію.
- **Вміст відкритого акумулятора може спричинити подразнення дихальних шляхів.** Вийдіть на свіже повітря. Якщо симптоми не зникнуть, зверніться до лікаря.



ПОПЕРЕДЖЕННЯ: Небезпека опіку. Рідина з акумулятора може спалахнути, якщо на неї потрапить іскра або полум'я.



ПОПЕРЕДЖЕННЯ: За жодних умов не намагайтесь відкрити акумулятор. За будь-якого пошкодження акумулятора не встановлюйте його у зарядний пристрій. Не бийте, не кидайте та не пошкоджуйте акумулятор. Не використовуйте акумулятор та зарядний пристрій, якщо ті отримали різкий удар, впали або були пошкоджені іншим чином (наприклад, були проколоті цвяхом, вдарені молотком, на них наступили). Це може призвести до ураження електричним струмом. Пошкоджені акумулятори необхідно повернути до сервісного центру для переробки.



ПОПЕРЕДЖЕННЯ: Небезпека виникнення пожежі. Зберігайте та переносьте акумулятор так, щоб металеві предмети не торкалися його відкритих контактів. Наприклад, не кладіть акумулятор у фартух, кишені, ящики з інструментами, коробки з наборами приладдя, шухляди тощо, де можуть бути цвяхи, гвинти, ключі тощо.



УВАГА: Коли інструмент не використовується, залишайте його на боці на стабільній поверхні в такому місці, де через нього не можна

перечепитися та впасти. Деякі інструменти з великими акумуляторами можуть стояти на батареї, але їх можна легко перекинути.

Транспортування



ПОПЕРЕДЖЕННЯ: Небезпека виникнення пожежі. Під час перевезення акумуляторів може виникнути пожежа, якщо контакти акумулятора випадково вийдуть в контакт з електропровідним матеріалом. Під час перевезення акумуляторів переконайтесь, що їхні контакти захищені та добре ізольовані від матеріалів, які можуть увійти з ними в контакт та викликати коротке замикання.

ПРИМІТКА: При перевезенні літій-іонних акумуляторів не можна здавати їх в багаж.

Акумулятори DEWALT відповідають всім нормам перевезення, описаним у галузевих та законодавчих положеннях, включно з рекомендаціями ООН про перевезення небезпечних вантажів, правилами перевезення небезпечних вантажів Міжнародної організації повітряного транспорту (IATA), міжнародними правилами перевезення небезпечних вантажів водним транспортом (IMDG) та Європейській угоді про міжнародне дорожнє перевезення небезпечних вантажів (ADR). Літій-іонні елементи живлення та акумулятори були перевірені відповідно до розділу 38.3 керівництва з тестів та критеріїв щодо перевезення небезпечних вантажів Рекомендацій ООН.

У більшості випадків перевезення акумуляторів DEWALT може бути класифіковано як перевезення небезпечних речовин, що повністю підпадають під клас 9. Загалом тільки вантажі, що містять літій-іонні акумулятори ємністю більше за 100 ват-годин (Вт-год.), вимагають транспортування відповідно до норм перевезення небезпечних речовин, що повністю підпадають під Клас 9. На всі літій-іонні акумулятори нанесено значення ват-годин. Крім того, через складності законодавчих норм компанія DEWALT не рекомендує транспортування окремо літій-іонних акумуляторів повітряним транспортом, незалежно від показника ват-годин. Перевезення інструментів з акумуляторами (у комплекті) можна виконувати повітряним транспортом, якщо значення ват-годин не перевищує 100 Вт-год.

Незалежно від того, чи вантаж вважається виключеним або повністю регламентованим, вантажовідправник несе відповідальність за відповідність останнім нормам щодо вимог до упаковки, етикеток/маркування та документації. Інформація, що наводиться у цьому розділі керівництва, сумлінно перевірена та вважається дійсною на момент складання документації. Проте чинні нормативи можуть підлягати змінам. Покупець несе відповідальність за те, щоб його дії відповідали певним нормам.

Транспортування батареї FLEXVOLT™

Батарея DEWALT FLEXVOLT™ має два режими: **використання та транспортування.**

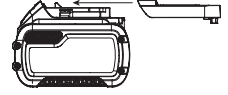
Режим використання. при використанні батареї FLEXVOLT™ окремо або в продукті DEWALT 18В вона працює як батарея потужністю 18 В. Якщо батарею FLEXVOLT™

встановлено у пристрій потужністю 54 В або 108 В (дві батареї 54 В), вона буде працювати як батарея 54 В.

Режим транспортування. якщо на батарею FLEXVOLT™ встановлено кришку, вона знаходиться у режимі транспортування. Не знімайте цю кришку при транспортуванні.

У режимі транспортування послідовність електричних елементів акумулятора роз'єднана, що створює 3 акумулятори з меншим значенням Вт-год в порівнянні з 1 акумулятором із більшим значенням цього показника. Ці 3 акумулятори з нижчим значенням ват-годин можуть бути виключені з певних норм транспортування, що застосовуються для акумуляторів з більшим значенням ват-годин.

Наприклад, показник транспортування може бути 3 × 36 Вт-год, що означає 3 акумулятори по 36 Вт-год кожний. При цьому показник Вт-год в режимі використання може бути вказаний як 108 Вт-год (1 акумулятор).



Приклад маркування способів використання та транспортування



Рекомендації щодо зберігання

1. Найкращим місцем для зберігання інструмента є прохолодне сухе місце, куди не потрапляють прямі сонячні промені та немає доступу тепла та холоду. Для оптимальної продуктивності та терміну служби батарей зберігайте їх за кімнатної температури, коли вони не використовуються.
2. При тривалому зберіганні для оптимального результату рекомендується помістити повністю заряджений акумулятор у сухе прохолодне місце поза зарядним пристроєм.

ПРИМІТКА: Не рекомендується зберігати акумулятор повністю розрядженим. Акумулятор потрібно перезарядити перед використанням.

Етикетки на зарядному пристрої та акумуляторі

Крім символів, що використовуються у цьому керівництві, етикетки на зарядному пристрої та акумуляторі можуть містити наведені нижче позначки.



Прочитайте інструкції цього керівництва перед використанням.



Див. розділ «Технічні дані» щодо часу зарядки.



Не торкайтесь електропровідними предметами.



Не заряджайте пошкоджені акумулятори.



Не піддавайте впливу води.



Негайно замінійте пошкоджений дрід живлення.



Заряджайте акумулятор за температури 4–40 °С.



Лише для використання в приміщенні.



Утилізуйте акумулятори з належною турботою про навколишнє середовище.



Заряджайте акумулятори DEWALT лише за допомогою спеціальних зарядних пристроїв DEWALT. Зарядка інших акумуляторних батарей, ніж призначені DEWALT, у зарядному пристрої DEWALT може призвести до їх вибуху або інших небезпечних ситуацій.



Не спляйте акумулятори.



ВИКОРИСТАННЯ (без кришки для транспортування).

Приклад: Значення Вт-год становить 108 Вт-год (1 акумулятор потужністю 108 Вт-год).



ТРАНСПОРТУВАННЯ (зі встановленою кришкою для транспортування). Приклад: Значення Вт-год становить 3 × 36 Вт-год (3 акумулятори потужністю 36 Вт-год).

Тип акумулятора

Пристрій DCN45RN працює від акумулятора потужністю 18 вольт.

Для експлуатації придатні акумулятори наступних моделей: DCB181, DCB182, DCB183, DCB183B, DCB184, DCB184B, DCB185, DCB187, DCB189, DCB546, DCB547, DCB548. Див. додаткову інформацію у розділі **Технічні дані**.

Комплект поставки

До комплекту входить:

- 1 Цвяхозабивний пістолет
- 1 Зарядний пристрій
- 1 Літій-іонний акумулятор (моделі C1, D1, L1, M1, P1, S1, T1, X1, Y1)
- 2 Літій-іонні акумулятори (моделі C2, D2, L2, M2, P2, S2, T2, X2, Y2)
- 3 Літій-іонні акумулятори (моделі C3, D3, L3, M3, P3, S3, T3, X3, Y3)
- 1 Керівництво з експлуатації

ПРИМІТКА. Акумулятори, зарядні пристрої та коробки для зберігання не входять до комплекту моделей N. Акумулятори та зарядні пристрої не входять до комплекту моделей NT. Моделі В включають акумулятори для приладів з підтримкою Bluetooth®.

ПРИМІТКА. Текстовий знак та логотипи Bluetooth® є зареєстрованими товарними знаками, що належать

компанії Bluetooth®, SIG, Inc. Будь-яке використання таких знаків компанією DEWALT здійснюється згідно з ліцензією. Інші торгові марки й торгові назви належать відповідним власникам.

- *Перевірте інструмент, деталі та приладдя на пошкодження, що могли виникнути під час транспортування.*
- *Перед використанням уважно прочитайте та повністю зрозумійте це керівництво.*

Маркування на інструменті

На інструменті є наступні піктограми:



Прочитайте інструкції цього керівництва перед використанням.



Використовуйте засоби захисту слуху.



Використовуйте засоби захисту очей.



Довжина цвяхів.



Товщина цвяхів.



Місткість обойми.



Відповідний кут встановлення цвяхів в обоймі.

Розташування коду дати (Рис. А)

Код дати **10**, що включає також рік виробництва, зазначений на корпусі.

Приклад:

2020 XX XX

Рік виробництва

Опис (рис. А)



УВАГА! Ніколи не модифікуйте електричні інструменти та їхні деталі. Це може призвести до пошкодження майна або тілесних ушкоджень.

- | | |
|------------------------------------|----------------------------------|
| 1 Акумулятор | 5 Коліщатко регулюванням глибини |
| 2 Кнопка розблокування акумулятора | 6 Кришка магазину подачі |
| 3 Спусковий курок | 7 Верхня кришка |
| 4 Запобіжник спускового курка | 8 Дверцятка відсіку для цвяхів |
| | 9 Поясний гачок |

Сфера застосування

DCN45RN Акумуляторний покрівельний цвяхозабивний пістолет призначений для забивання цвяхів у дерев'яну поверхню.

Не використовуйте за умов підвищеної вологості або в присутності легкозаймистих рідин та газів.

Цей акумуляторний покрівельний цвяхозабивний пістолет є професійним електричним інструментом.

Не дозволяйте дітям підходити на небезпечну відстань та торкатися інструмента. Використання інструмента недосвідченими операторами потребує нагляду.

- Цей пристрій не призначений для використання особами (включаючи дітей) із зниженими фізичними, сенсорними або розумовими можливостями або особами, яким бракує досвіду або знань за винятком випадків, коли такі особи працюють під наглядом особи, яка несе відповідальність за їх безпеку. Не можна залишати дітей наодинці з цим приладом.

МОНТАЖ ТА НАЛАШТУВАННЯ

! **ПОПЕРЕДЖЕННЯ:** Щоб знизити ризик серйозних тілесних ушкоджень, вимкніть інструмент та відключіть акумулятор перед виконанням будь-яких налаштувань або зніманням/встановленням додаткового обладнання або приладдя. Випадковий запуск може призвести до травм.

! **ПОПЕРЕДЖЕННЯ:** Використовуйте тільки DEWALT акумулятори та зарядні пристрої.

Установка акумулятора в інструмент та його виймання (Рис. В)

ПРИМІТКА. Переконайтесь, що ваш акумулятор ① повністю заряджений.

Для встановлення акумулятора у ручку інструмента

- Вирівняйте акумулятор ① по напрямних у ручці інструменту (Рис. В).
- Вставте акумулятор у ручку до упору та переконайтесь, що ви почули звук клацання акумулятора, що став на місце.

Виймання акумулятора з інструмента

- Натисніть кнопку розблокування ② та витягніть акумулятор з ручки інструмента.
- Вставте акумулятор у зарядний пристрій, як описано у розділі щодо зарядного пристрою цього керівництва.

Акумулятори з індикатором рівня заряду (Рис. В)

Деякі акумулятори DEWALT оснащені індикатором заряду з трьох зелених світлодіодів, що вказують рівень заряду акумулятора, що залишився.

Щоб увімкнути індикатор заряду, натисніть та утримуйте кнопку індикатора заряду ⑬. Три зелені світлодіоди будуть горіти відповідним чином, відображуючи рівень зарядки акумулятора. Коли рівень заряду акумулятора нижче відповідного ліміту, індикатор рівня заряду не горить, а акумулятор потрібно зарядити.

ПРИМІТКА: Індикатор рівня зарядки показує лише рівень зарядки, що залишився в акумуляторі. Він не показує функціональність інструмента, а його показники можуть

змінюватись відповідно до комплектності інструмента, температури та способу застосування.

Обертova кліпса/гак для ремня (рис. А)

Кліпсу/гак для ремня ⑨ можливо встановити вліво або вправо від інструмента для користувачів, які виконують роботу лівою або правою рукою.

Якщо використання гака не бажане, тоді його можна повернути в передню або задню частину основи ручки.

РЕЖИМ РОБОТИ

Інструкції з використання

! **ПОПЕРЕДЖЕННЯ:** Завжди дотримуйтесь усіх інструкцій з техніки безпеки та відповідних норм.

! **ПОПЕРЕДЖЕННЯ:** Щоб знизити ризик серйозних тілесних ушкоджень, вимкніть інструмент та відключіть акумулятор перед виконанням будь-яких налаштувань або зніманням/встановленням додаткового обладнання або приладдя. Випадковий запуск може призвести до травм.

Належне положення рук (Рис. А, D)

! **ПОПЕРЕДЖЕННЯ:** Щоб знизити ризик серйозних травм, **ЗАВЖДИ** правильно розташуйте руки, як показано.

! **ПОПЕРЕДЖЕННЯ:** Щоб знизити ризик серйозних травм, **ЗАВЖДИ** надійно тримайте інструмент, щоб попередити випадкову віддачу.

Правильне положення рук полягає в тому, щоб одна рука знаходилась на основній ручці ⑫, як зображено.

Ударна дія

Ударна дія призначена для швидкого забивання цвяхів в плоскі, нерухомі поверхні і, як правило, найбільш ефективна при використанні більш коротких цвяхів.

Для роботи з інструментом ударним способом

- Натисніть спусковий курок.
- Притисніть контактний вимикач до робочої поверхні. Поки спусковий курок натиснутий, інструмент буде вистрілювати цвяхом кожен раз при спрацьовуванні контактного вимикача. Це дозволяє користувачеві послідовно забивати кілька цвяхів.

! **УВАГА!** Не натискайте спусковий курок, коли інструмент не використовується. Блокуйте перемикач блокування спускового курка, коли інструмент не використовується.

! **УВАГА!** При працюючому двигуні інструменту подальша активація натягуванням спускового курка або натисканням контактного вимикача призведе до пострілу цвяхом.

Підготовка інструмента



ПРИМІТКА. НИКОЛИ не розпорощуйте і не застосовуйте будь-яким іншим чином мастильні матеріали або миючі засоби на основі розчинників всередині інструменту. Це може серйозно вплинути на термін служби і експлуатаційні характеристики інструменту.

ПРИМІТКА. Новий акумулятор заряджений не повністю. Дотримуйтесь наведених інструкцій (Див.

Зарядка акумулятора).

1. Прочитайте розділ «Правила техніки безпеки для цвяхозабивальних пістолетів» цього керівництва.
2. Носіть засоби захисту очей і вух.
3. Зніміть акумулятор з інструменту.
4. Переконайтесь, що в магазині немає кріпильних елементів.
5. Перевірте плавність і правильність роботи вузлів контактної вимикача і штовхача. Не використовуйте інструмент, якщо будь-який з вузлів не працює належним чином. **НИКОЛИ** не використовуйте інструмент з фіксацією контактної вимикача в робочому положенні.
6. Не наводьте інструмент на себе та інших.
7. Вставляйте повністю заряджений акумулятор.

Використання запобіжника спускового курка (рис. D)

Кожен цвяхозабивний пістолет DeWALT оснащений запобіжником спускового курка **4**, який при натисканні вправо, як показано на рис. D, запобігає викиду цвяхів шляхом блокування спускового курка і зняття живлення з двигуна.

Коли запобіжник спускового курка натиснутий вліво, інструмент працює в повну силу. Завжди блокуйте запобіжник спускового курка для виконання будь-яких регулювань або коли інструмент не використовується.

Завантаження інструмента (рис. E–G)

УВАГА! Не наводьте інструмент на себе та інших.

УВАГА! В жодному разі не завантажуйте цвяхи, якщо активовано контактний вимикач або спусковий курок.

УВАГА! Завжди виймайте акумуляторну батарею перед завантаженням або розвантаженням цвяхів.

ОБЕРЕЖНО! Для запобігання травм тримайте пальці подалі від доріжки засувки штовхача.

УВАГА! Завжди блокуйте спусковий курок для виконання будь-яких регулювань або коли інструмент не використовується.

1. Натисніть на засувку дверцят **13**, щоб відкрити відсік з цвяхами **8**.
2. Відкрийте кришку магазину подачі **6**.
3. Налаштуйте платформу для цвяхів **15** відповідно до довжини використовуваних цвяхів.

- a. Поверніть платформу для цвяхів і пересуньте її уздовж напрямної, щоб встановити її на одну з трьох позицій.
- b. Поверніть платформу для цвяхів в початкове положення, переконавшись, що виступ **16** надійно закріплений в одному з трьох пронумерованих отворів.

Платформа для цвяхів	Довжина цвяха
Позиція 1:	22 мм
Позиція 2:	25 мм – 33 мм
Позиція 3:	38 мм – 45 мм

4. Помістіть бобину на платформу для цвяхів. Вставте кріпильні елементи вістрям вниз. **ВАЖЛИВО!** Кріпильні елементи необхідно направити в тому ж напрямку, в якому вони будуть забиватися.
5. Розмотуйте достатньо цвяхів (близько 76 мм), щоб дістати до наконечника інструмента.
6. Вставте перший цвях в наконечник, а другий – між двома напрямними кулачка подавача. **ПРИМІТКА.** Будьте обережні, щоб не деформувати бобину цвяхів в процесі завантаження. В іншому випадку дверцята відсіку для цвяхів не зачинаються, і вони можуть подаватися нерегулярно.
7. Закрийте дверцята відсіку для цвяхів, переконавшись, що засувка дверцят повністю замкнулась.
8. Повністю закрийте кришку магазину подачі.

Розрядження інструмента (рис. E–G)

УВАГА! Завжди блокуйте спусковий курок для виконання будь-яких регулювань або коли інструмент не використовується.

1. Натисніть на засувку дверцят **13**, щоб відкрити відсік з цвяхами **8**.
2. Відкрийте кришку магазину подачі **6**.
3. Вийміть бобину з платформи для цвяхів.

Регулювання глибини (рис. H)

Глибину забивання цвяха можна регулювати за допомогою кільцатка регулювання глибини **3** на наконечнику інструменту.

УВАГА! Для зниження ризику отримання важких травм від випадкового спрацювання при спробі регулювання глибини **ЗАВЖДИ:**

- Виймайте батарею.
- Вмикайте блокування спускового курка.
- Завжди спрямовуйте наконечник цвяхозабивного пістолета від себе.
- Уникайте контакту зі спусковим курком під час регулювання.

Глибину забивання кріпильного елемента можна регулювати за допомогою кільцатка регулювання глибини **5** на наконечнику інструменту. Глибина забивання встановлюється на заводі-виробнику на номінальне

значення. Протестуйте забивання кріпильного елемента і перевірте глибину. Якщо потрібна зміна:

1. Для більш глибокого забивання цвяхів поверніть коліщатко регулювання глибини вправо. Значення 5 – найглибше.
2. Для менш глибокого забивання цвяхів поверніть коліщатко регулювання глибини ліво. Значення 1 – найменше.

Протестуйте забивання ще одного кріпильного елемента і перевірте глибину. Повторюйте в міру необхідності для досягнення бажаних результатів. Необхідний тиск повітря залежить від розміру кріпильного елемента і матеріалу, що підлягає кріпленню. Поекспериментуйте з налаштуванням тиску повітря, щоб визначити найнижче значення, яке дозволить стабільно виконувати поточну роботу. Дуже високий тиск повітря може привести до передчасного зносу та/або пошкодження інструменту.

Зняття заїдання (рис. I)

Якщо цвяхозабивний пістолет використовується з більш твердим матеріалом, коли вся доступна енергія в двигуні використовується для переміщення кріпильних елементів, інструмент може заклинювати. Бойок не завершить цикл руху, і спалахне індикатор заклинювання/заїдання. Поверніть важіль розблокування **14** на інструменті, і механізм звільниться. Якщо бойок не повертається автоматично в початкове положення, тоді див. розділ «Видалення застряглого цвяха». Якщо пристрій продовжує заїдати, перевірте обраний режим, матеріал і довжину кріпильного елемента, щоб переконаватися, що він не дуже жорсткий для цього використання.

Якщо заїдання відбувається постійно, перевірте обрану швидкість. Залежно від застосування, може знадобитися інше налаштування швидкості.

Видалення застряглого цвяха (рис. A, E–G)

Якщо цвях застряг в наконечнику, для його видалення тримайте інструмент спрямованим в бік від себе і дотримуйтесь інструкцій:

ПРИМІТКА. Заклинювання може виникнути внаслідок накопичення сміття в каналі наконечника. Перевірте та очистіть будь-яке сміття, як зазначено нижче, якщо ви помітили будь-які зміни в роботі інструменту.

1. Вийміть акумуляторну батарею з інструменту і увімкніть блокування спускового курка.
2. Натисніть на засувку дверцят **13**, щоб відкрити відсік з цвяхами **8**.
3. Відкрийте кришку магазину подачі **6**.
4. Видаліть застряглий цвях.
5. Виправте будь-які деформації, які могли виникнути на обині цвяхів.

Якщо цвяхи застрягають в наконечнику занадто часто, зверніться по допомогу до авторизованого сервісного центру компанії DEWALT.

ТЕХНІЧНЕ ОБСЛУГОВУВАННЯ

Ваш електричний інструмент призначений для роботи протягом довгого часу з мінімальним обслуговуванням. Довга задовільна робота приладу залежить від належного обслуговування приладу та регулярного його очищення.



ПОПЕРЕДЖЕННЯ: Щоб знизити ризик серйозних тілесних ушкоджень, вимкніть інструмент та відключіть акумулятор перед виконанням будь-яких налаштувань або змінням/встановленням додаткового обладнання або приладдя. Випадковий запуск може призвести до травм.

Зарядний пристрій та акумулятор не підлягають обслуговуванню.



Змащування

Ваш електричний інструмент не вимагає додаткового змащування.



Очищення



ПОПЕРЕДЖЕННЯ: Коли пил та бруд стають помітними та починають накопичуватися біля вентиляційних отворів, вивувайте бруд та пил зсередини основного корпусу за допомогою сухого повітря. Використовуйте рекомендовані засоби захисту органів зору та рекомендовану протипилову маску при виконанні цієї операції.



ПОПЕРЕДЖЕННЯ: Ніколи не використовуйте розчинники та інші агресивні хімічні засоби для очищення неметалевих деталей інструмента. Такі хімічні речовини можуть нанести шкоду матеріалам, що використовуються в цих деталях. Використовуйте вологу ганчірку, змочену лише водою з м'яким милом. Не дозволяйте рідині потрапляти всередину інструмента та ніколи не занурюйте деталі інструмента в рідину.

Додаткові аксесуари



ПОПЕРЕДЖЕННЯ: Оскільки інше приладдя, що не зазначене виробником DEWALT, не перевірялося з цим пристроєм, його використання з інструментом може бути небезпечним. Необхідно використовувати лише рекомендовані DEWALT приладдя з цим пристроєм, щоб знизити ризик отримання травми.

Зверніться до свого дилера для отримання подальшої інформації щодо відповідного приладдя.

Заміна зворотної пружини (рис. J–M)

З часом зворотна пружина бойка зношується і потребує заміни. Згодом стає очевидним, що пружину потрібно

мінати, якщо бойок не повертається в початкове положення після кожного пострілу цвяхом. Для перевірки – відкрійте обойму, як зазначено у розділі «**Виймання застряглого цвяха**», і якщо пружина зносились, ви зможете переміщати бойок назад і вперед по каналу для цвяхів з дуже невеликим опором.



УВАГА! У цілях безпеки перед використанням будь-якого додаткового приладдя прочитайте керівництво з експлуатації інструмента. Недотримання правил техніки безпеки може призвести до отримання травми і серйозного пошкодження інструменту та додаткового приладдя. При технічному обслуговуванні даного пристрою використовуйте тільки ідентичні запасні деталі.

ПРИМІТКА. Для зручності і перевірки наявності всі механічні деталі змінного комплекту пружини показані на рисунку.

Для заміни пошкоджених зворотних пружин

1. Послабте два гвинти **17** з обох сторін пристрою. Див. рис. J.
2. Вийміть систему повернення **18** з пристрою. Див. рис. K.
3. Посуньте затискач напрямної пружини **19** від напрямної пружини **20**. Див. рис. L.
4. Прокрутіть і зніміть пружинний бампер **21** і зніміть шайбу **22** та зворотню пружину **23**. Див. рис. M.
5. Встановіть нову зворотню пружину і шайбу на напрямну пружини **20**. Стискаючи пружину з шайбою біля протилежного кінця напрямної, перевірте новий пружинний бампер, поки він не пройде повз паз для затискача пружинної напрямної.

6. Закріпіть надійно новий затискач пружинної напрямної та встановіть бампер навпроти затискача.

ПРИМІТКА. Перевірте повернення профілю, перемістивши профіль вгору по пружинній напрямній і відпустивши його. Він має повернутися під дією пружин.

7. Установіть зворотний механізм **18** назад у пристрій. Необхідно вирівняти положення профілю і маховика перед тим, як прикручувати зворотний механізм до пристрою. Це можна зробити, якщо встановити акумулятор і притиснути, а потім відпустити сопло приладу до верстата або твердої поверхні. Це запустить обертання двигуна.

ПРИМІТКА. При правильному вирівнюванні профілю і маховика ви почуєте, як двигун повертається у вихідне положення з повної швидкості. Якщо профіль і маховик не вирівняні, двигун може не запуститися, може сповільнюватися набагато швидше, ніж зазвичай, і супроводжуватися гучним скреготливим звуком від пристрою. У такому випадку видаліть і повторно встановіть зворотний механізм.



УВАГА! Завжди перевіряйте пристрій, забиваючи цвяхи в м'яку деревину, щоб упевнитися, що інструмент працює належним чином. Якщо інструмент не працює належним чином, негайно

зверніться до авторизованого сервісного центру DEWALT.

Заміна профіля (рис. N)

Заміна зламаного або зношеного профіля

1. Для зняття системи повернення з пристрою і зняття пружин див. кроки 1–4 розділу **Заміна зворотної пружини**.
2. Зверніть увагу на орієнтацію профілю **24**. Зсуньте профіль з напрямної **20**.
3. Посуньте новий профіль на напрямну з тією ж орієнтацією, що мав старий.
4. Для завершення обслуговування див. кроки 5–7 розділу **Заміна зворотної пружини**.

Захист навколишнього середовища



Роздільний збір. Пристрої і акумулятори позначені цим символом, не можна викидати зі звичайним побутовим сміттям.

Пристрої і акумулятори містять матеріали, які можна відновити та переробити, що зменшить потребу у сировині. Утилізуйте електротехнічну продукцію і акумулятори відповідно до місцевих положень. Більш детальну інформацію можна отримати на сайті www.2helpU.com.

Придатність акумулятора для перезарядки

Дана модель акумулятора підлягає перезарядці у випадку зниження його потужності при виконанні завдань, що попередньо не вимагали особливих зусиль. Наприкінці терміну служби акумулятора утилізуйте його у спосіб, безпечний для навколишнього середовища.

- Повністю розрядіть акумулятор, потім витягніть його з інструменту.
- Літій-іонні акумулятори можна повторно переробляти. Відправте їх до свого дилера або на місцеву переробну станцію. Там зібрані акумулятори будуть перероблені або знищені належним чином.



Виробник:
"Stanley Black & Decker Deutschland GmbH" Black-&-Decker Str.40, D-65510 Idstein, Німеччина

ІНСТРУКЦІ ЩОДО ВИЯВЛЕННЯ ТА УСУНЕННЯ НЕСПРАВНОСТЕЙ

БІЛЬШІСТЬ ПРОБЛЕМ МОЖЛИВО ЛЕГКО ВИРІШИТИ, ВИКОРИСТОВУЮЧИ ТАБЛИЦЮ НИЖЧЕ.

Для вирішення серйозних або постійних проблем зверніться до найближчого до вас сервісного центру або до місцевого офісу компанії DeWALT за адресою, зазначеною у цих інструкціях.



УВАГА! Щоб зменшити ризик серйозних травм, ЗАВЖДИ вимикайте інструмент та відключайте акумуляторну батарею від інструменту перед проведенням ремонтів.

СИМПТОМ	ПРИЧИНА	РІШЕННЯ
Двигун не працює при натиснутому спусковому курку	Запобіжник спускового механізму в положенні блокування	Розблокуйте спусковий курок.
	Інструмент зупинився, блокуючи двигун від обертання	Поверніть важіль зняття заїдання на інструменті, і механізм звільниться. Якщо бойок не повертається, вийміть акумулятор і вручну поверніть бойок назад у початкове положення.
	Внутрішню електроніку інструменту потрібно скинути	Вийміть акумулятор та зачекайте 3 секунди, потім вставте його на місце.
	Двигун зупиняється через 5 секунд	Штатний режим роботи. Відпустіть спусковий курок і натисніть знову.
	Контакти забруднені або пошкоджені	Зверніться до авторизованого сервісного центра компанії DeWALT.
	Пошкоджена внутрішня електроніка	Зверніться до авторизованого сервісного центра компанії DeWALT.
	Пошкоджений спусковий курок	Зверніться до авторизованого сервісного центра компанії DeWALT.
	Акумулятор гарячий	Дайте акумулятору охолонути або замініть його на прохолодний.
	Інструмент гарячий	Дайте інструменту охолонути перед продовженням використання.
Двигун не працює при натиснутому контактному вимикачі	Запобіжник спускового механізму в положенні блокування	Розблокуйте спусковий курок.
	Інструмент зупинився, блокуючи двигун від обертання	Поверніть важіль зняття заїдання на інструменті, і механізм звільниться. Якщо бойок не повертається, вийміть акумулятор і вручну поверніть бойок назад у початкове положення.
	Контактний вимикач погнутий	Зверніться до авторизованого сервісного центра компанії DeWALT.
	Двигун зупиняється через 5 секунд	Штатний режим роботи. Відпустіть контактний вимикач та натисніть знову.
	Контакти забруднені або пошкоджені	Зверніться до авторизованого сервісного центра компанії DeWALT.
	Пошкоджена внутрішня електроніка	Зверніться до авторизованого сервісного центра компанії DeWALT.
	Пошкоджений спусковий курок	Зверніться до авторизованого сервісного центра компанії DeWALT.
	Акумулятор гарячий	Дайте акумулятору охолонути або замініть його на прохолодний.
	Інструмент гарячий	Дайте інструменту охолонути перед продовженням використання.
Інструмент не запускається (двигун працює, але не стріляє)	Низький заряд або пошкоджений акумулятор	Перевірте рівень заряду, якщо акумулятор показує стан заряду. При необхідності зарядіть або замініть акумулятор.
	Заклинений цвях/бойок не повертається в початкове положення	Вийміть акумуляторну батарею, витягніть застряглий цвях, застосуйте важіль блокування, (при необхідності підштовхніть бойок вгору вручну) та вставте акумуляторну батарею назад.
	Пошкоджено бойок/систему повернення в зборі	Замініть бойок/систему повернення в зборі. Зверніться до авторизованого сервісного центра компанії DeWALT.
	Внутрішній механізм заклинило	Зверніться до авторизованого сервісного центра компанії DeWALT.
	Пошкоджена внутрішня електроніка	Зверніться до авторизованого сервісного центра компанії DeWALT.
Двигун запускається, але створює багато шуму	Заклинений цвях і бойок застрягли в нижньому положенні	Застосуйте важіль зняття заїдання, видаліть всі застрягли цвяхи та поверніть бойок вручну, якщо необхідно.
	Пошкоджено бойок/систему повернення в зборі	Замініть бойок/систему повернення в зборі. Зверніться до авторизованого сервісного центра компанії DeWALT.

СИМПТОМ	ПРИЧИНА	РІШЕННЯ
Бойок продовжує застрягати в нижньому положенні	Заклинений цвях і бойок застрягли в нижньому положенні	Застосуйте важіль розблокування, видаліть всі застрягли цвяхи та поверніть бойок вручну, якщо необхідно.
	Пошкоджено бойок/систему повернення в зборі	Замініть бойок/систему повернення в зборі. Зверніться до авторизованого сервісного центра компанії DeWALT.
	Матеріал і довжина кріпильного елемента	Якщо пристрій продовжує заїдати (змушуючи повертати важіль зняття заїдання), виберіть відповідний матеріал і довжину кріпильного елемента, не надто радикальні для конкретного випадку застосування.
	Сміття в наконечнику	Очистіть область наконечника і уважно огляньте на предмет дрібних шматочків зламаних цвяхів, що застрягли в напрямній.
	Інструмент ще не притерся	Для нових інструментів може знадобитися забити 500-1000 цвяхів для зчеплення деталей і їх взаємного притирання. Якщо ви відчуваєте труднощі з забиванням цвяхів в повній мірі, протягом цього періоду використовуйте коротші цвяхи.
	Використання неправильної швидкості	При спробі забивання довгих круглих ребрих цвяхів в м'яку деревину або забивання круглих ребрих цвяхів в більш тверді матеріали зі швидкістю 1 – встановіть значення швидкості в положення 2.
Інструмент працює, але не приводить до дії кріпильні елементи в повній мірі	Налаштування глибини встановлено занадто мало	Поверніть регулятор глибини до більшого значення настройки.
	Інструмент погано прилягає до заготовки	Прикладайте достатнє зусилля до інструменту для його щільного прилягання до заготовки. Зверніться до інструкції.
	Матеріал і довжина кріпильного елемента	Якщо пристрій продовжує заїдати (змушуючи повертати важіль зняття заїдання), виберіть відповідний матеріал і довжину кріпильного елемента, не надто радикальні для конкретного випадку застосування.
	Пошкоджений або зношений наконечник бойка	Замініть бойок/систему повернення в зборі. Зверніться до авторизованого сервісного центра компанії DeWALT.
	Пошкоджений приводний механізм	Зверніться до авторизованого сервісного центра компанії DeWALT.
	Інструмент ще не притерся	Для нових інструментів може знадобитися забити 500-1000 цвяхів для зчеплення деталей і їх взаємного притирання. Якщо ви відчуваєте труднощі з забиванням цвяхів в повній мірі, протягом цього періоду використовуйте коротші цвяхи.
Інструмент працює, але кріпильні елементи не приводяться в дію	В обоймі немає цвяхів	Завантажте цвяхи в обойму.
	Неправильний розмір або кут нахилу цвяхів	Використовуйте лише рекомендовані цвяхи. Див. розділ «Технічні характеристики».
	Сміття в наконечнику	Очистіть область наконечника і уважно огляньте на предмет дрібних шматочків зламаних цвяхів, що застрягли в напрямній.
	Сміття в обоймі	Очистіть обойму.
	Зношена обойма	Замініть обойму. Зверніться до авторизованого сервісного центра компанії DeWALT.
	Пошкоджений або зношений бойок	Замініть бойок. Зверніться до авторизованого сервісного центра компанії DeWALT.
Пошкоджена пружина штовхача	Замініть пружину. Зверніться до авторизованого сервісного центра компанії DeWALT.	

СИМПТОМ	ПРИЧИНА	РІШЕННЯ
Застраглий цвях	Неправильний розмір або кут нахилу цвяхів	Використовуйте лише рекомендовані цвяхи. Див. розділ « <i>Технічні характеристики</i> ».
	Пошкоджений або зношений бойок	Замініть бойок. Зверніться до авторизованого сервісного центра компанії DeWALT.
	Матеріал і довжина кріпильного елемента	Якщо пристрій продовжує заїдати (змушуючи повертати важіль зняття заїдання), виберіть відповідний матеріал і довжину кріпильного елемента, не надто радикальні для конкретного випадку застосування.
	Сміття в наконечнику	Очистіть область наконечника і уважно огляньте на предмет дрібних шматочків зламаних цвяхів, що застрягли в напрямній.
	Зношена обойма	Замініть обойму. Зверніться до авторизованого сервісного центра компанії DeWALT.
	Пошкоджена пружина штовхача	Змініть пружину. Зверніться до авторизованого сервісного центра компанії DeWALT.

