
DEWALT®

English (**original instructions**) 5

Русский (*перевод с оригинала инструкции*) 11

Українська (*переклад з оригінальної інструкції*) 21

Fig. A

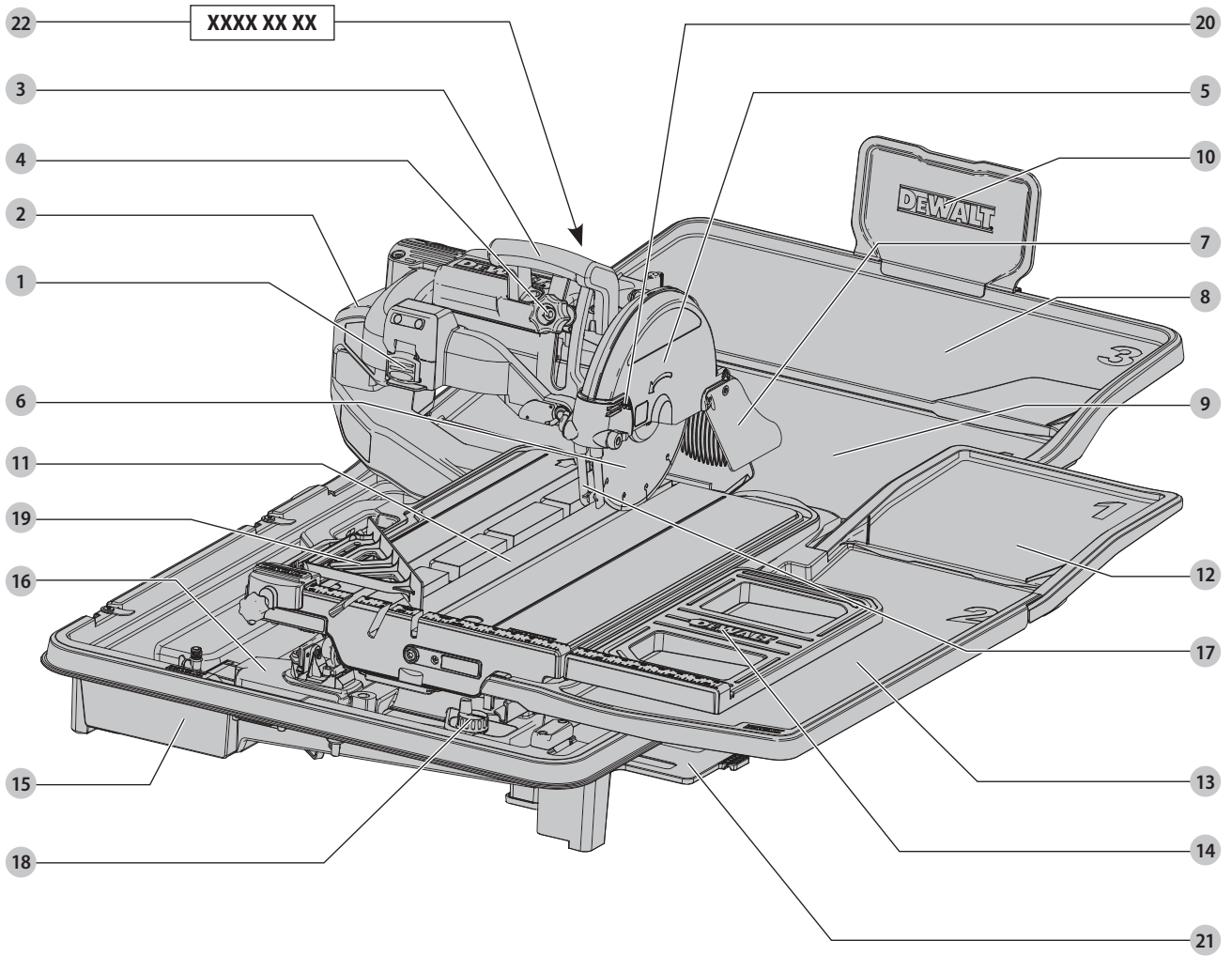


Fig. B

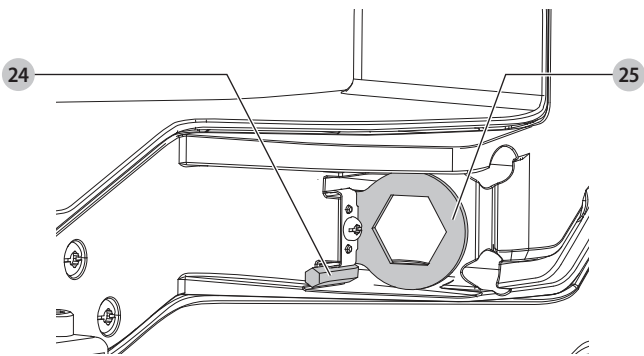


Fig. C

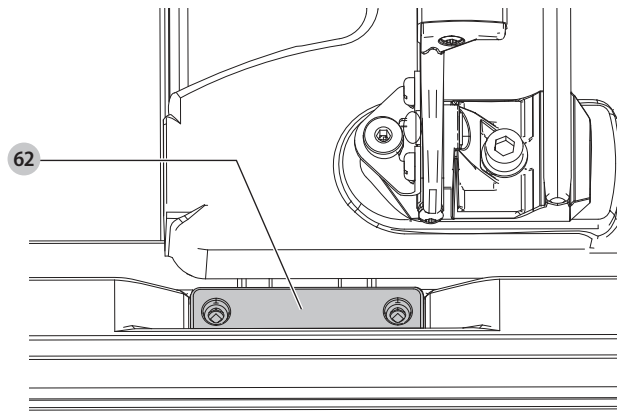


Fig. D

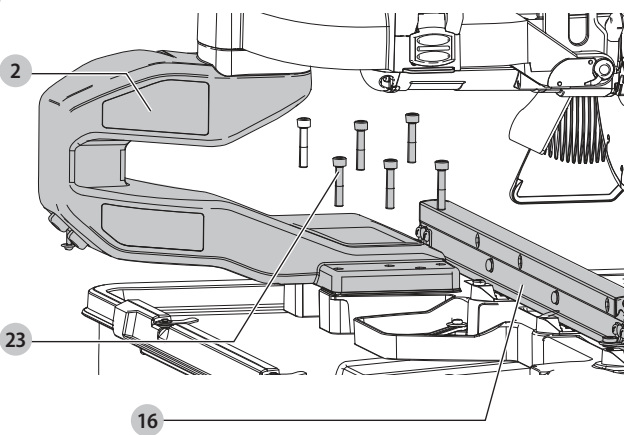


Fig. E

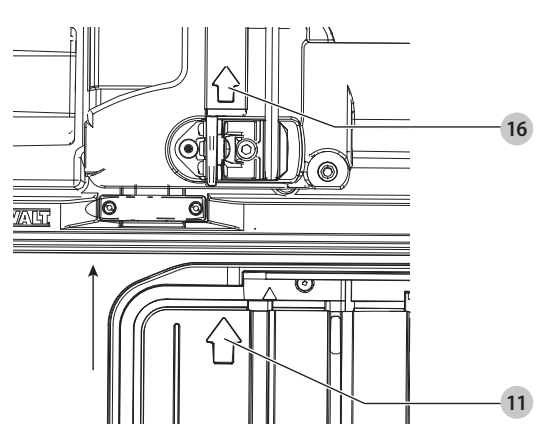


Fig. F

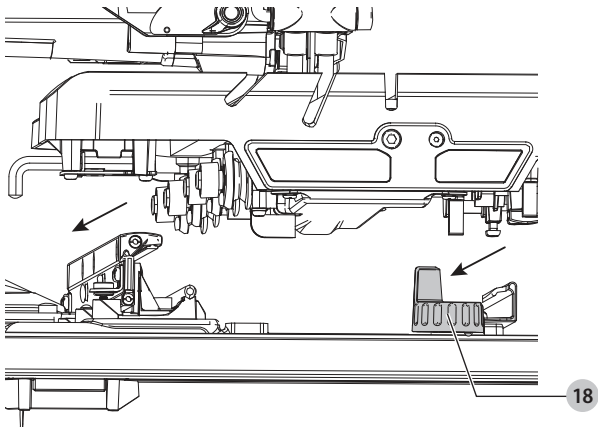


Fig. G

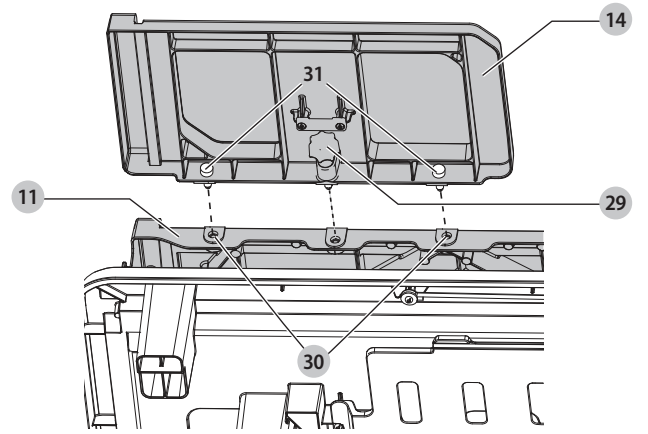


Fig. H

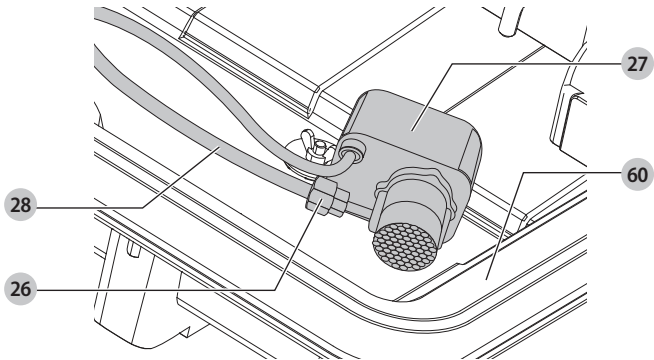


Fig. I

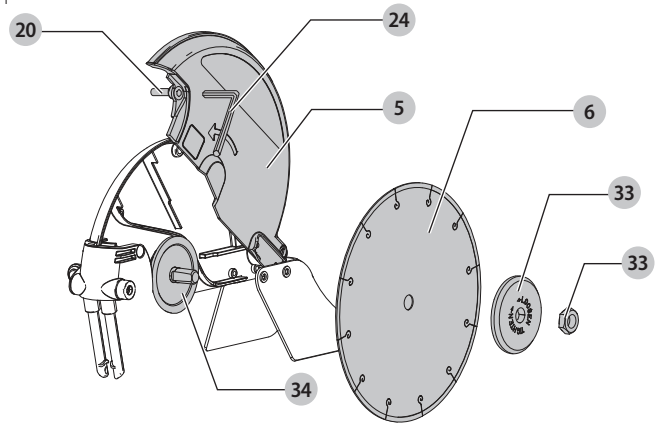


Fig. J

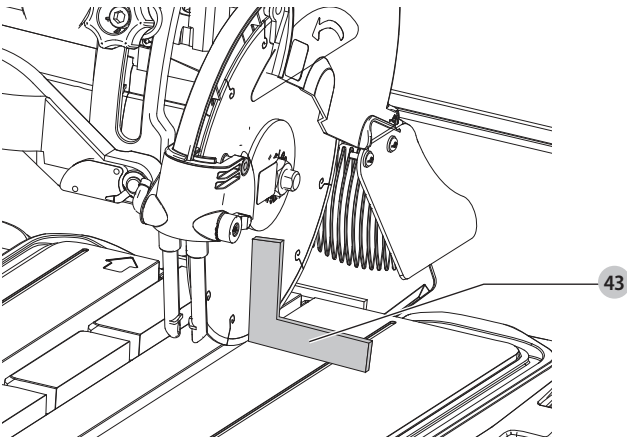


Fig. K

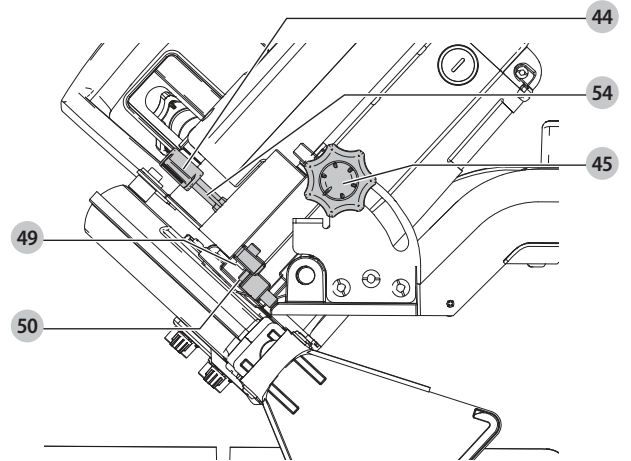


Fig. L

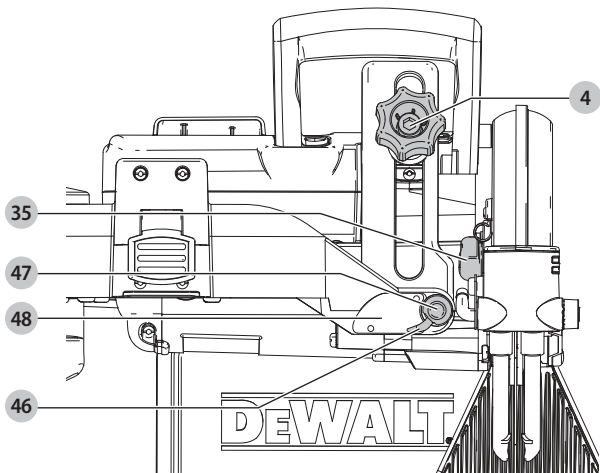


Fig. M

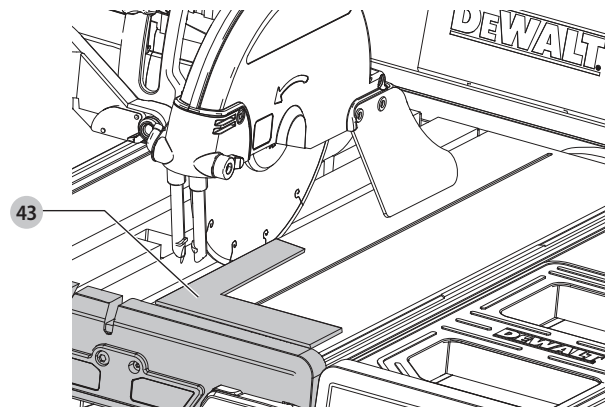


Fig. N

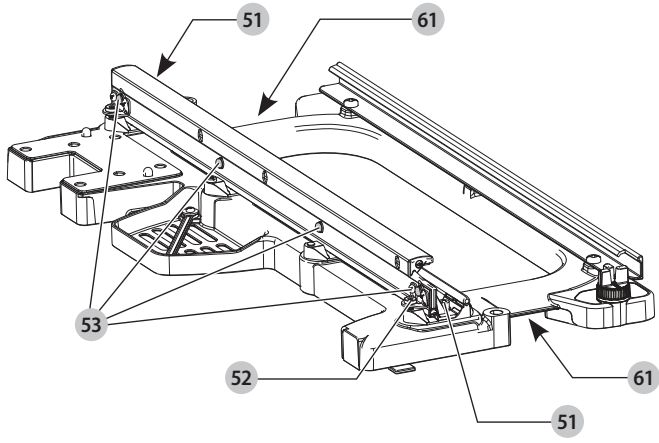


Fig. O

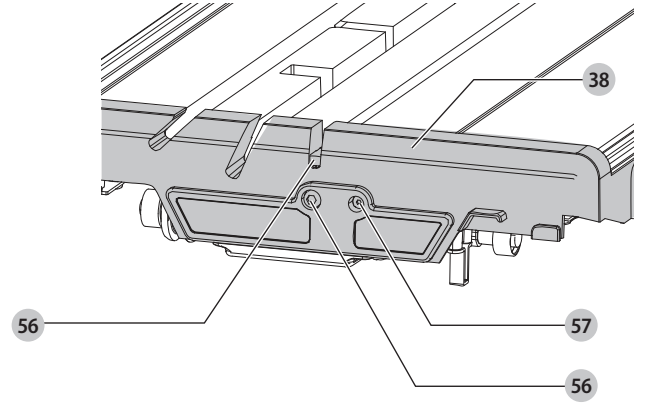


Fig. P

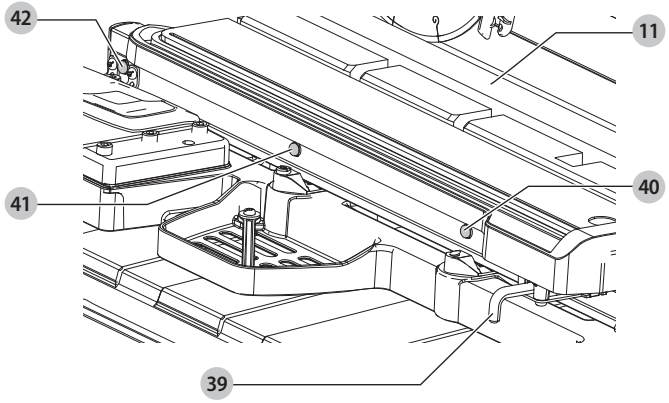


Fig. Q1

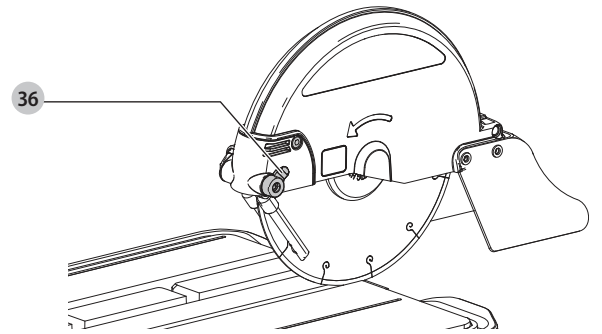


Fig. Q2

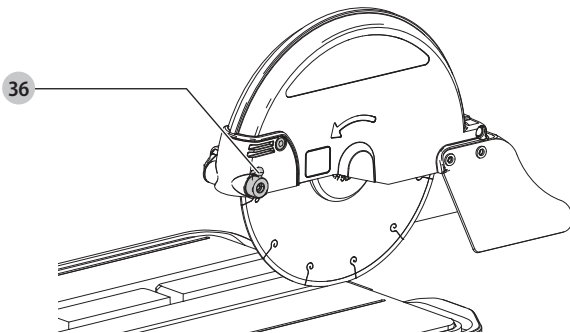


Fig. Q3

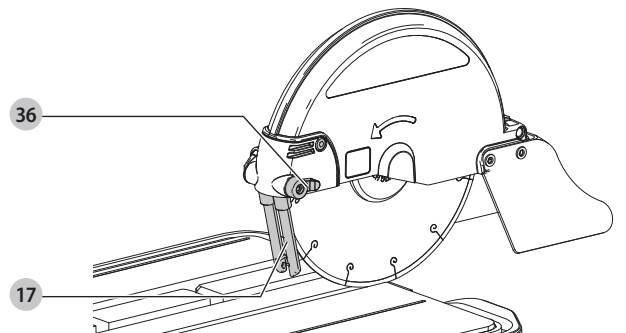


Fig. R

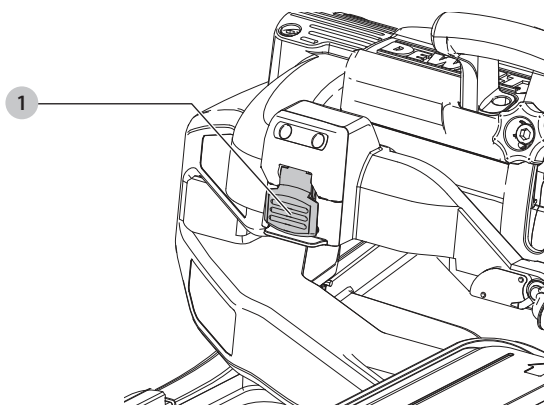


Fig. S

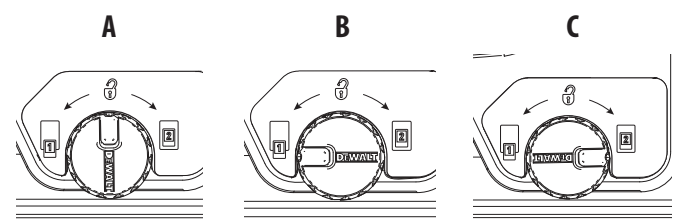


Fig. T

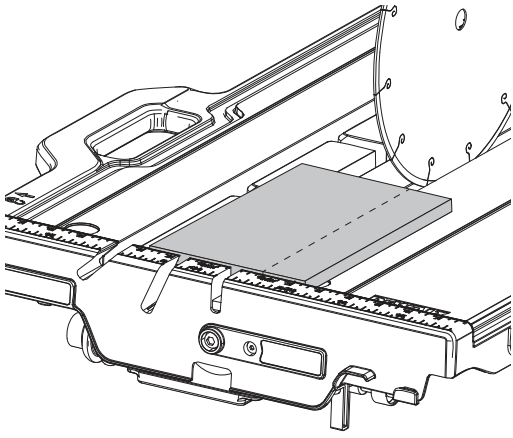


Fig. U

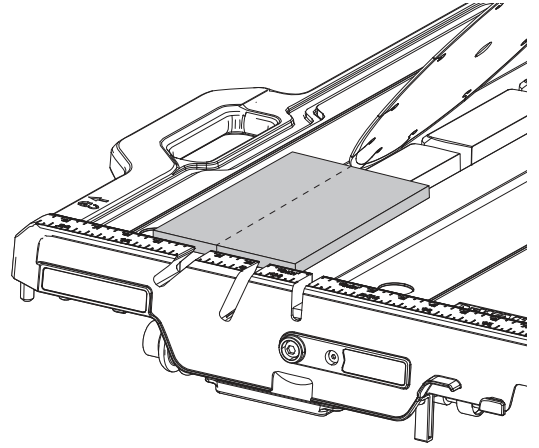


Fig. V

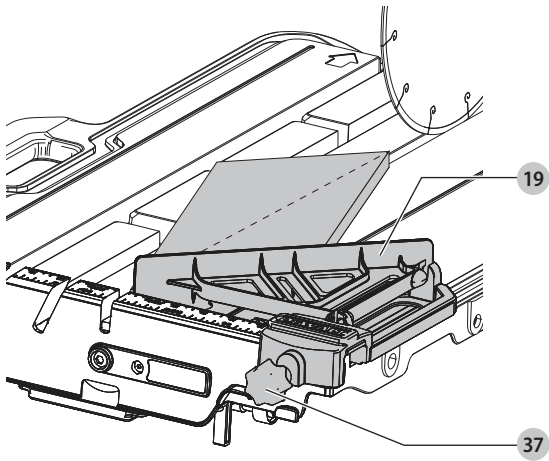


Fig. W

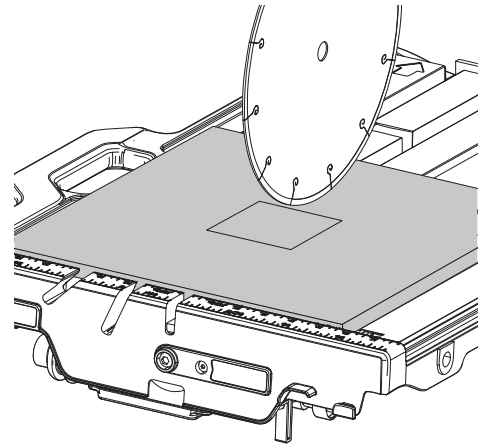


Fig. X

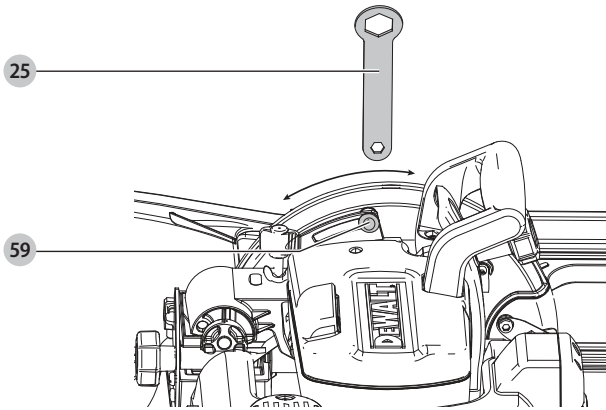


Fig. Y

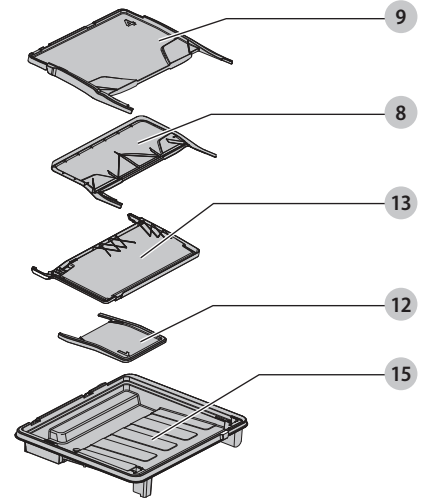
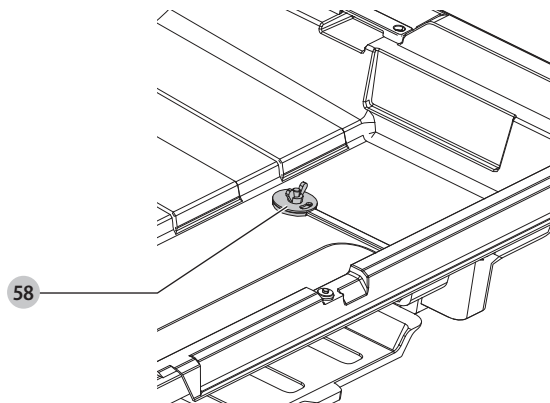


Fig. Z



TILE SAW

D36000

Congratulations!

You have chosen a DEWALT tool. Years of experience, thorough product development and innovation make DEWALT one of the most reliable partners for professional power tool users.

Technical Data

		D36000
Voltage	V _{AC}	230
UK & Ireland (GB/LX)	V _{AC}	230/115
Type		1
Power input (QS, GB, XE/LX)	W	1600/1500
No-load speed	min ⁻¹	4200
Cutting disc diameter	mm	250
Cutting disc bore	mm	25.4
Cutting disc body thickness	mm	1.5
Type of cutting disc		straight, non-recessed (continuous rim)
Max. peripheral speed cutting disc	min ⁻¹	6000
Bevel settings	°	22.5/45
Max. ripping capacity	mm	940
Dimensions - in use without stand - (L x W x H)	mm	1600 x 1067 x 584
Dimensions - in use with stand (stand in highest position) - (L x W x H)	mm	1600 x 1067 x 1397
Dimensions - transportation mode (saw) - (L x W x H)	mm	838 x 734 x 483
Dimensions - transportation mode (water pans) - (L x W x H)	mm	896 x 762 x 165
Depth of cut at 90°	mm	80
Nominal weight (excluding cutting disc)	kg	45
Max. allowable weight (with cutting disc and water)	kg	64.5
Noise values and vibration values (tri-ax vector sum) according to EN62841-1, EN12418		
L _{PA} (emission sound pressure level)	dB(A)	91.8
L _{WA} (sound power level)	dB(A)	101.5
K (uncertainty for the given sound level)	dB(A)	2.5
Vibration emission value a _{hv} =		
	m/s ²	4.0
Uncertainty K =		
	m/s ²	0.5

The vibration and/or noise emission level given in this information sheet has been measured in accordance with a standardised test given in EN12418 and may be used to compare one tool with another. It may be used for a preliminary assessment of exposure.

WARNING: The declared vibration and/or noise emission level represents the main applications of the tool. However if the tool is used for different applications, with different accessories or poorly maintained, the vibration emission may differ. This may significantly increase the exposure level over the total working period.

An estimation of the level of exposure to vibration and/or noise should also take into account the times when the tool is switched off or when it is running but not actually doing the job. This may significantly reduce the exposure level over the total working period.

Identify additional safety measures to protect the operator from the effects of vibration such as: maintain the tool and the accessories, keep the hands warm, organisation of work patterns.

NOTE: This device is intended for the connection to a power supply system with maximum permissible system impedance Z_{max} of 0.30 Ω at the interface point (power service box) of user's supply.

The user has to ensure that this device is connected only to a power system which fulfils the requirement above. If necessary, the user can ask the public power supply company for the system impedance at the interface point.

EC-Declaration of Conformity

Machinery Directive



Tile Saw D36000

DEWALT declares that these products described under **Technical Data** are in compliance with: 2006/42/EC, EN62841-1:2015 + AC:2015, EN ISO 12100:2010, EN12418:2000 + A1:2009.

These products also comply with Directive 2014/30/EU and 2011/65/EU. For more information, please contact DEWALT at the following address or refer to the back of the manual.

The undersigned is responsible for compilation of the technical file and makes this declaration on behalf of DEWALT.

Markus Rompel
Vice-President Engineering, PTE-Europe
DEWALT, Richard-Klinger-Straße 11,
65510, Idstein, Germany
20.11.2020

WARNING: To reduce the risk of injury, read the instruction manual.

Definitions: Safety Guidelines

The definitions below describe the level of severity for each signal word. Please read the manual and pay attention to these symbols.

- DANGER:** Indicates an imminently hazardous situation which, if not avoided, **will** result in **death or serious injury**.
- WARNING:** Indicates a potentially hazardous situation which, if not avoided, **could** result in **death or serious injury**.
- CAUTION:** Indicates a potentially hazardous situation which, if not avoided, **may** result in **minor or moderate injury**.
- NOTICE:** Indicates a practice **not related to personal injury** which, if not avoided, **may** result in **property damage**.
- Denotes risk of electric shock.
- Denotes risk of fire.

GENERAL POWER TOOL SAFETY WARNINGS

WARNING: Read all safety warnings, instructions, illustrations and specifications provided with this power tool. Failure to follow all instructions listed below may result in electric shock, fire and/or serious injury.

SAVE ALL WARNINGS AND INSTRUCTIONS FOR FUTURE REFERENCE

The term "power tool" in the warnings refers to your mains-operated (corded) power tool or battery-operated (cordless) power tool.

1) Work Area Safety

- a) **Keep work area clean and well lit.** Cluttered or dark areas invite accidents.
- b) **Do not operate power tools in explosive atmospheres, such as in the presence of flammable liquids, gases or dust.** Power tools create sparks which may ignite the dust or fumes.
- c) **Keep children and bystanders away while operating a power tool.** Distractions can cause you to lose control.

2) Electrical Safety

- a) **Power tool plugs must match the outlet. Never modify the plug in any way. Do not use any adapter plugs with earthed (grounded) power tools.** Unmodified plugs and matching outlets will reduce risk of electric shock.
- b) **Avoid body contact with earthed or grounded surfaces, such as pipes, radiators, ranges and refrigerators.** There is an increased risk of electric shock if your body is earthed or grounded.
- c) **Do not expose power tools to rain or wet conditions.** Water entering a power tool will increase the risk of electric shock.
- d) **Do not abuse the cord. Never use the cord for carrying, pulling or unplugging the power tool. Keep cord away from heat, oil, sharp edges or moving parts.** Damaged or entangled cords increase the risk of electric shock.
- e) **When operating a power tool outdoors, use an extension cord suitable for outdoor use.** Use of a cord suitable for outdoor use reduces the risk of electric shock.
- f) **If operating a power tool in a damp location is unavoidable, use a residual current device (RCD) protected supply.** Use of an RCD reduces the risk of electric shock.

3) Personal Safety

- a) **Stay alert, watch what you are doing and use common sense when operating a power tool. Do not use a power tool while you are tired or under the influence of**

drugs, alcohol or medication. A moment of inattention while operating power tools may result in serious personal injury.

- b) **Use personal protective equipment. Always wear eye protection.** Protective equipment such as a dust mask, non-skid safety shoes, hard hat or hearing protection used for appropriate conditions will reduce personal injuries.
- c) **Prevent unintentional starting. Ensure the switch is in the off-position before connecting to power source and/or battery pack, picking up or carrying the tool.** Carrying power tools with your finger on the switch or energising power tools that have the switch on invites accidents.
- d) **Remove any adjusting key or wrench before turning the power tool on.** A wrench or a key left attached to a rotating part of the power tool may result in personal injury.
- e) **Do not overreach. Keep proper footing and balance at all times.** This enables better control of the power tool in unexpected situations.
- f) **Dress properly. Do not wear loose clothing or jewellery. Keep your hair and clothing away from moving parts.** Loose clothes, jewellery or long hair can be caught in moving parts.
- g) **If devices are provided for the connection of dust extraction and collection facilities, ensure these are connected and properly used.** Use of dust collection can reduce dust-related hazards.
- h) **Do not let familiarity gained from frequent use of tools allow you to become complacent and ignore tool safety principles.** A careless action can cause severe injury within a fraction of a second.


4) Power Tool Use and Care

- a) **Do not force the power tool. Use the correct power tool for your application.** The correct power tool will do the job better and safer at the rate for which it was designed.
- b) **Do not use the power tool if the switch does not turn it on and off.** Any power tool that cannot be controlled with the switch is dangerous and must be repaired.
- c) **Disconnect the plug from the power source and/or remove the battery pack, if detachable, from the power tool before making any adjustments, changing accessories, or storing power tools.** Such preventive safety measures reduce the risk of starting the power tool accidentally.
- d) **Store idle power tools out of the reach of children and do not allow persons unfamiliar with the power tool or these instructions to operate the power tool.** Power tools are dangerous in the hands of untrained users.
- e) **Maintain power tools and accessories. Check for misalignment or binding of moving parts, breakage of parts and any other condition that may affect the power tool's operation. If damaged, have the power tool repaired before use.** Many accidents are caused by poorly maintained power tools.
- f) **Keep cutting tools sharp and clean.** Properly maintained cutting tools with sharp cutting edges are less likely to bind and are easier to control.
- g) **Use the power tool, accessories and tool bits etc. in accordance with these instructions, taking into account the working conditions and the work to be performed.** Use of the power tool for operations different from those intended could result in a hazardous situation.
- h) **Keep handles and grasping surfaces dry, clean and free from oil and grease.** Slippery handles and grasping surfaces do not allow for safe handling and control of the tool in unexpected situations.

5) Service

- a) **Have your power tool serviced by a qualified repair person using only identical replacement parts.** This will ensure that the safety of the power tool is maintained.

Additional Safety Rules for Tile Saws

-  **WARNING:** Do not connect to the mains power supply into the unit until complete instructions are read and understood.
- **DO NOT OPERATE THIS MACHINE UNTIL IT IS COMPLETELY ASSEMBLED AND INSTALLED ACCORDING TO THE INSTRUCTIONS.** A machine incorrectly assembled can cause serious injury.
- **DO NOT OPERATE THIS MACHINE IF THE CUTTING DISK GUARD IS NOT CORRECTLY MOUNTED OR DEFECTIVE.**
- **TIGHTEN ALL CLAMP HANDLES, KNOBS AND LEVERS PRIOR TO OPERATION.** Loose clamps can cause parts or the workpiece to be thrown at high speeds.
- **OBTAIN ADVICE FROM YOUR SUPERVISOR, INSTRUCTOR, OR ANOTHER QUALIFIED PERSON IF YOU ARE NOT THOROUGHLY FAMILIAR WITH THE OPERATION OF THIS MACHINE.** Knowledge is safety.
- **MAKE CERTAIN THE BLADE ROTATES IN THE CORRECT DIRECTION.** See marking at the guard.
- **BE SURE ALL BLADE AND BLADE CLAMPS ARE CLEAN, RECESSED SIDES OF BLADE CLAMPS ARE AGAINST BLADE AND ARBOUR SCREW IS TIGHTENED SECURELY.** Loose or improper blade clamping may result in damage to the saw and possible personal injury.
- **DO NOT OPERATE ON ANYTHING OTHER THAN THE DESIGNATED VOLTAGE FOR THE SAW.** Overheating, damage to the tool and personal injury may occur.
- **DO NOT WEDGE ANYTHING AGAINST THE FAN TO HOLD THE MOTOR SHAFT.** Damage to tool and possible personal injury may occur.
- **NEVER CUT METALS.** This can cause the carbide tips to fly off the blade at high speeds causing serious injury.
- **NEVER HAVE ANY PART OF YOUR BODY IN LINE WITH THE PATH OF THE TILE SAW BLADE.** Personal injury will occur.
- **DO NOT PLACE EITHER HAND IN THE BLADE AREA WHEN THE SAW IS CONNECTED TO THE POWER SOURCE.** Inadvertent blade activation may result in serious injury.

- **NEVER REACH AROUND OR BEHIND THE TILE SAW BLADE.** A blade can cause serious injury.
- **SECURE THE MACHINE TO A STABLE SUPPORTING SURFACE.** Vibration can possibly cause the machine to slide, walk, or tip over, causing serious injury.
- **USE ONLY BLADES OF THE CORRECT SIZE AND TYPE SPECIFIED FOR THIS TOOL TO PREVENT DAMAGE TO THE MACHINE AND/OR SERIOUS INJURY.**
- **THE MAXIMUM SPEED OF THE TILE SAW BLADE SHALL ALWAYS BE GREATER THAN OR AT LEAST EQUAL TO THE SPEED MARKED ON THE RATING PLATE OF THE TOOL.**
- **THE TILE SAW BLADE DIAMETER MUST BE IN ACCORDANCE WITH THE MARKINGS ON RATING PLATE OF THE TOOL.**
- **INSPECT BLADE FOR CRACKS OR OTHER DAMAGE PRIOR TO OPERATION.** A cracked or damaged blade can come apart and pieces can be thrown at high speeds, causing serious injury. Replace cracked or damaged blades immediately. Observe the maximum speed marked on the tile saw blade.
- **DO NOT USE WARPED BLADES.** Check to see if the blade runs true and is free from vibration. A vibrating blade can cause damage to the machine and/or serious injury.
- **KEEP GUARD IN PLACE AND IN WORKING ORDER.** Do not operate this machine without guards in place
- **USE ONLY BLADE CLAMPS SPECIFIED FOR THIS TOOL TO PREVENT DAMAGE TO THE MACHINE AND/OR SERIOUS INJURY.**
- **MAKE SURE TO USE THE CORRECT TILE SAW BLADE FOR THE MATERIAL TO BE CUT.**
- **CLEAN THE MOTOR AIR SLOTS OF CHIPS AND SAWDUST.** Clogged motor air slots can cause the machine to overheat, damaging the machine and possibly causing a short which could cause serious injury.
- **NEVER STAND ON TOOL.** Serious injury could occur if the tool is tipped or if the cutting tool is unintentionally contacted.
- **NEVER CUT WORKPIECES THAT REQUIRE MANUAL ACTION CLOSER THAN 15 CM FROM THE ROTATING CUTTING DISC.**
- **DO NOT PERFORM ANY OPERATION FREEHAND.** Hold the workpiece firmly against the fence and the guide.
- **SWITCH OFF THE MACHINE AND WAIT FOR THE CUTTING DISC TO STOP BEFORE MOVING THE WORKPIECE OR CHANGING THE SETTINGS.** Reaching with your hand near the coasting blade is dangerous
- **NEVER PERFORM ANY CLEANING OR MAINTENANCE WORK** when the machine is still running and the head is not in the rest position. Reaching with your hand near the turning blade is dangerous.
- **DO NOT CUT WORKPIECES REQUIRING A MAXIMUM DEPTH OF CUT EXCEEDING THAT OF THE CUTTING DISC.**
- **DO NOT PERFORM DRY CUTS.** Dry cutting not only results in damage to the machine, it will also increase exposure to harmful airborne dust.
- **DO NOT USE CUTTING DISCS FOR SIDE GRINDING.** This can cause the carbide tips to fly off the blade at high speeds causing serious injury.
- **ALWAYS STORE TILE SAW WELL-PROTECTED AND IN A DRY PLACE, OUT OF REACH OF CHILDREN.** To prevent damage to the machine and unintended use.
- **DO NOT MAKE ADJUSTMENTS OR PARTS SUBSTITUTIONS TO ALTER THE FACTORY SETTINGS.** Technical alterations should only be carried out by the manufacturer, in compliance with the applicable.
- **WEAR GLOVES DURING THE USE OF THE TILE SAW.** Sawed workpieces could have sharp edges.

 **WARNING!** Take care that the connections are dry before activating the circuit and plugging in the machine.

- Keep water clear off the electrical parts of the tool and away from persons in the working area.
- Replacement of supply cord shall always be carried out by the manufacturer or his service agent.

 **WARNING!** After voltage recovery, set ON/OFF switch to off before actuating RESET button of Portable Residual Current Device (PRCD).

- Ensure your installation is provided with suitable cut out of "B" characteristic according to HD384.

Residual Risks

In spite of the application of the relevant safety regulations and the implementation of safety devices, certain residual risks cannot be avoided. These are:

The following risks are inherent to the use of these machines:

- injuries caused by touching the rotating parts
- injuries caused by disruption of the cutting disc

These risks are most evident:

- within the range of operation
- within the range of the rotating machine parts

In spite of the application of the relevant safety regulations and the implementation of safety devices, certain residual risks cannot be avoided. These are:

- Impairment of hearing.
- Risk of accidents caused by the uncovered parts of the rotating cutting disc.
- Risk of injury when changing the cutting disc.
- Risk of squeezing fingers when opening the guards.

Electrical Safety

The electric motor has been designed for one voltage only. Always check that the power supply corresponds to the voltage on the rating plate.



Your DEWALT tool is double insulated in accordance with EN60745; therefore no earth wire is required.

This product is intended to be used with a safety transformer manufactured to BSEN61558 and BS4343. Never work without this transformer in place.

If the supply cord is damaged, it must be replaced only by DEWALT or an authorised service organisation.

Mains Plug Replacement (U.K. & Ireland Only)

If a new mains plug needs to be fitted:

- Safely dispose of the old plug.
- Connect the brown lead to the live terminal in the plug.
- Connect the blue lead to the neutral terminal.



WARNING: No connection is to be made to the earth terminal.

Follow the fitting instructions supplied with good quality plugs. Recommended fuse: 13 A.

Using an Extension Cable

If an extension cable is required, use an approved 3-core extension cable suitable for the power input of this tool (see **Technical Data**). The minimum conductor size is 1.5 mm²; the maximum length is 30 m.

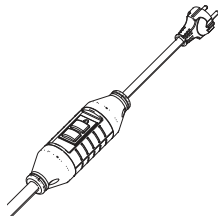
When using a cable reel, always unwind the cable completely.

Portable Residual Current Device

The machine is equipped with a portable residual current device (PRCD), which protects the user against electric shock by interrupting the circuit when a leakage current of 10mA or greater is detected.



WARNING: Never operate the machine without the PRCD in place. Do not use the machine if the PRCD does not function properly. For the PRCD to work, the machine must be connected to an earthed wall socket. Before using the tile saw, check the function of the PRCD, pressing the TEST button.



Package Contents

The package contains:

- 1 Motor arm assembly
- 1 Saw frame assembly
- 1 Water basin
- 1 Water pump
- 1 Cutting disc
- 1 Cutting cart
- 1 Extension table
- 1 Edge guide
- 2 Rear water attachments
- 2 Cutting cart water attachments
- 1 Splash guard
- 6 Hex screws
- 1 Hex key
- 1 Cutting wheel wrench
- 1 Instruction manual
- Check for damage to the tool, parts or accessories which may have occurred during transport.
- Take the time to thoroughly read and understand this manual prior to operation.

Labels on tool

The following pictographs are shown on the tool.



Read the instruction manual before use.



Do not use recessed cutting discs.



Wear safety goggles.



Always wear regular working gloves while operating this tool.



Always wear ear protection.



WARNING! Sharp edges.



On/off switch: position I (on) and 0 (off).



Carrying point



Do not place your hands within this area.



Maximum depth of cut



Cutting disc bore

Date Code Position (Fig. A)

The date code **22**, which also includes the year of manufacture, is printed into the housing. Example:

2020 XX XX

Year and week of Manufacture

Description (Fig. A)



WARNING: Never modify the power tool or any part of it. Damage or personal injury could result.

- | | |
|-------------------------------|--|
| 1 On/Off switch | 12 Small cutting cart water attachment |
| 2 Motor arm assembly | 13 Large cutting cart water attachment |
| 3 Plunge handle | 14 Extension table |
| 4 Head lock knob | 15 Water basin |
| 5 Cutting disc cover | 16 Saw frame assembly |
| 6 Cutting disc | 17 Water nozzles |
| 7 Rubber shroud | 18 Cutting cart stop |
| 8 Small rear water attachment | 19 Edge guide |
| 9 Large rear water attachment | 20 Cutting wheel cover screw |
| 10 Splash guard | 21 Accessory storage |
| 11 Cutting cart assembly | |

Intended Use

Your D36000 tile saw has been designed for professional wet tile cutting applications. Using the appropriate diamond saw blade, diameter 250 mm, it can cut concrete, brick, porcelain and ceramic materials. Providing optimum versatility, the machine performs the cutting operations of straight cutting (ripping), diagonal cutting, plunge cutting and bevel cutting easily, accurately and safely.

This machine is not to be used for any operation other than those mentioned in this manual.

DO NOT use under wet conditions or in the presence of flammable liquids or gases.

DO NOT let children come into contact with the tool. Supervision is required when inexperienced operators use this tool.

- **Young children and the infirm.** This appliance is not intended for use by young children or infirm persons without supervision.
- This product is not intended for use by persons (including children) suffering from diminished physical, sensory or mental abilities; lack of experience, knowledge or skills unless they are supervised by a person responsible for their safety. Children should never be left alone with this product.

ASSEMBLY AND ADJUSTMENTS



WARNING: To reduce the risk of serious personal injury, turn tool off and disconnect tool from power source before making any adjustments or removing/installing attachments or accessories. An accidental start-up can cause injury.



WARNING: Use only DEWALT battery packs and chargers.

ASSEMBLY



WARNING: Prior to assembly always unplug the tool.



WARNING: When assembling the machine, always follow the instructions in the order as described below.

Unpacking the Machine and Its Parts



WARNING: When moving the machine, always seek assistance. The machine is too heavy for one person to handle.

1. Remove the loose packaging material from the box.
2. Lift the machine parts out of the box.
3. Remove any remaining packing material from the machine parts.

Wrench Storage (Fig. A, B)

Your wet tile saw comes supplied with the two hand tools you will need for assembly. A hex key **24** and a cutting wheel wrench **25** are stored at the back of the motor arm assembly **2**.

Motor Arm Assembly (Fig. A, C, D)

1. Place the water basin **15** on a flat, stable surface, or on the stand.
2. Place saw frame assembly **16** in the water basin **15**.
NOTE: Make sure the front of the saw frame assembly sits beneath the water basin bracket **62** to ensure a secure fit (Fig. C).
3. Using the supplied hex key **24** remove the screws **23** from the saw frame assembly.
4. Place motor arm assembly **2** on the saw frame assembly (Fig. D).
5. Secure the saw head by installing two of the screws **23** into the holes closest to the rail. Tighten the screws with the hex key provided. Install the other four screws in the other four holes and tighten.

Mounting the Cutting Cart Assembly to the Saw Frame Assembly (Fig. E, F, T)

1. Turn the cutting cart stop knob **18** into the unlock position (Refer to **Cutting Cart Stop Knob**) and slide the cutting cart onto the rails.
2. Align the arrow on the rear of the cutting cart assembly **11** with the arrow on the rail on the left of the saw frame assembly **16**.
3. Slide the cutting cart assembly onto the rail system clearing the cutting cart stop knob **18** with the rollers.
4. Rotate the cutting cart stop knob into either the first or second position to keep the cutting cart on the rails during use. Refer to **Cutting Cart Stop Knob** for description of positions.

Mounting the Extension Table (Fig. G)

1. Hold the extension table **14** in front of the right-hand side of the cutting cart assembly **11**.
2. Align the positioning pins **30** on the extension to the holes **31** in the sliding cart.
3. Place the extension against the sliding table.
4. Tighten the clamp knob **29**.

Assembling the Water Pump and Water Attachments (Fig. A, H)

WARNING: Before installing the water pump into the basin, check to see if the supply cord is not damaged.

1. Place the threaded fitting **26** onto the water pump **27**. Attach the clear water tube **28** to the threaded fitting (Fig. H).
NOTE: The ideal position for the water pump is in the front left corner of water basin, near the drain plug.
2. Fill the basin with 19 litres clean of water. The pump should be submerged.
NOTE: For longer pump life, always place the pump in a clean water source.
NOTE: The edge of the water basin is the maximum fill line **60**. DO NOT fill the water basin above the maximum water fill line.
3. Install the small rear water attachment **8**, large rear water attachment **9**, and splash guard **10** if needed.
4. Install the small cutting cart water attachment **12** and large cutting cart water attachment **13** if needed.

Mounting the Cutting Disc (Fig. J, M)

When mounting the cutting disc, pay attention that the cutting direction (arrow direction on the cutting disc) corresponds with the direction of the arrow on the blade guard! The maximum diameter cutting disc that can be fitted is 254 mm.

1. Loosen (do not remove) the cutting disc cover screw **20** on the side of the cutting disc cover **5**. Pull the rubber side flap back and lift the cover toward the rear of the saw.
2. Press spindle lock button **35**. Remove the cutting disc nut **33** with cutting wheel wrench **25** provided. Remove outer flange **33**.

WARNING: To use the spindle lock, press the button as shown and rotate the spindle by hand until you feel the lock engage. Continue to hold the lock button in to keep the spindle from turning.

3. Install the cutting disc **6** against the inner flange **34** with the rotational arrow facing the same way as on the rotational arrow on the cutting disc cover. Press the spindle lock button **35** while tightening the cutting disc nut.
4. Replace cover and tighten the cutting disc cover screw **20**.
5. Adjust cutting disc depth (Refer to **Checking and Adjusting the Cutting Depth**).

WARNING: Never press the spindle lock while the cutting disc is rotating.

WARNING: To avoid the risk of injury, check that the guard is mounted correctly.

Connecting the Machine to the Mains (Fig. A)

1. Make sure the on/off switch **1** is in the off position.
2. Connect the mains plug to a mains supply.
3. Press the PRCD reset button on the mains cord and then move the on/off switch to the on position if the machine does not start.
4. Arrange a drip loop in the cord connecting the machine to mains to prevent water from dripping onto the plug. The drip loop is that part of the cord below the level of the socket.

Checking and Adjusting the Cutting Depth (Fig. A, L)

The rim of the cutting disc should always be at least 5 mm below the table surface.

1. Loosen the depth adjustment knob **44**.
2. Lower the arm to bring the cutting disc into its lowest position.
3. Tighten the depth adjustment knob.
4. Make a dry run by pushing the table entirely through the cutting disc. **Check that the cutting disc does not foul the cutting cart.**
5. If adjustment is required, proceed as follows:
 - a. Loosen head lock knob **4**.
 - b. Adjust depth adjustment knob **44** until the cutting disc is at least 5 mm below the cutting cart surface.
 - c. With the unit turned off, push the cutting cart past the cutting disc and ensure that the cutting disc does not touch the cutting cart.
 - d. Adjust the depth adjustment knob and tighten the locking wing nut **54**, then the head lock knob **4**.

ADJUSTMENT

WARNING: Prior to adjustment always unplug the tool.

WARNING: To deduce the risk of injury, always verify the blade is adjusted to the correct height and location in the centre of the cart groove before operating the saw.

Checking That the Crosscut Travel Is Perpendicular to the Fence (Fig. N, O)

1. Lower the arm to bring the cutting disc into its lowest position.
2. Move the cutting cart in front of the cutting disc.
3. Place a square **43** (not included with the tool) on the cutting cart and against the fence **38** and just touching the cutting disc as shown.
4. Push the cutting cart through the cutting disc to check that the cutting disc traverses parallel to the square.
5. If adjustment is required, proceed as follows:
 - a. Slacken the screws **51** holding the rail assembly to the frame.
 - b. Move the rail manually.
 - c. With the square placed against the fence, check again that the cutting disc traverses parallel to the square and adjust as necessary.
 - d. Tighten the screws **51**.

Checking that the Cutting Disc is Perpendicular to the Table (Fig. K–M)

1. Loosen the bevel adjustment knob **45**.
2. Press the saw head to the right to ensure it is fully vertical and tighten the bevel adjustment knob.
3. Lower the arm to bring the cutting disc into its lowest position.
4. Move the cutting cart until underneath the cutting disc.
5. Place a square **43** on the cutting cart and against the cutting disc as shown.
6. If adjustment is required, proceed as follows:
 - a. Loosen the bevel adjustment knob **45** and turn the vertical position adjustment stop screw **49** in or out until the cutting disc is at 90° to the cutting cart as measured with the square.
 - b. If the bevel pointer **46** does not indicate zero on the bevel scale **48**, loosen the screw **47** that secures the pointer and move the pointer as necessary.

Checking and Adjusting the Bevel Angle (Fig. K, L)

1. Loosen the bevel adjustment knob **45** and move the saw head to the left. This is the 45° bevel position.
2. If adjustment is required, proceed as follows:
 - a. Turn the stop screw **50** in or out as necessary until the pointer **46** indicates 45°.

Cutting a Kerf (Fig. P)

The kerf indicator **56** helps to locate the path of the cutting disc.

1. Switch on the machine and wait for the cutting disc to reach full speed.
2. Push the cutting cart entirely through the cutting disc to cut a kerf in the wheel **56**.
3. **Check that the cutting disc does not foul the cutting cart.**
4. Switch off the machine.
5. If the kerf is worn, a new kerf can be created.
 - a. Loosen the locking screw **57**.
 - b. Rotate the wheel to expose uncut surface.
 - c. Tighten the locking screw.
 - d. Cut a new kerf following the instructions as described above.

Locking the Cutting Cart (Fig. Q)

The cutting cart can be locked in the following positions:

- Front position (cutting disc freely accessible) **40**.
- Plunge position (cutting disc over middle of cutting cart) **41**.
- Outfeed position (cutting disc at fence) **42**.

1. Move the cutting cart **11** to the desired position.
2. Lock the cutting cart by rotating the pin lock **39** and pushing it into the hole in the rail.

Adjusting the Water Nozzles (Fig R1–R3)

Water nozzles **17** are adjustable to provide maximum water for cutting and maximum cut capacity with the minimum amount of overspray and mist. The adjusting lever **36** allows easy adjustment of nozzles to desired position.

- Optimum position for minimum overspray (Fig. R1).
- Water nozzles **17** can be fully retracted to allow for maximum cut capacity (Fig. R2).
- “Off Cutting Disc” position to eliminate water overspray between cuts and for the cutting disc change (Fig. R3).

INSTRUCTIONS FOR USE

Ensure the machine is placed to satisfy your ergonomic conditions in terms of table height and stability. The machine site shall be chosen so that the operator has a good overview and enough free surrounding space around the machine that allows handling of the workpiece without any restrictions.

To reduce effects of vibration make sure the environment temperature is not too cold, machine and accessory is well maintained and the workpiece size is suitable for this machine.



WARNING:

- Always observe the safety instructions and applicable regulations.
- Check that the machine has been set up securely.
- Check that the workpiece is properly supported.
- Make sure the cutting disc is not contacting the workpiece before the machine is switched on.
- Allow the motor to reach full speed before cutting.
- Apply only a gentle pressure to the machine. Do not force the cutting action.
- Keep your hands out of the path of the cutting disc. Do not place your hands within the marked area on the cutting cart assembly.

Prior to Operation

- Place the tile saw on a horizontal, stable, non-slip surface.
- Install the appropriate cutting disc.
- Make sure all locking knobs and clamp handles are tight.
- Fill the water basin with the sufficient amount of water for the water pump to be fully submerged.
- Use only clean water. No other liquid should be used.

MAXIMUM TILE SIZES

Material type	Size (up to)	Max. weight	Cut	Cutting Cart Stop Knob Position
Tile	60 cm x 60 cm x 1.0 cm	9 kg	Rip cut or Crosscut	2
Tile	90 cm x 90 cm x 1.0 cm	20 kg	Rip or cross cut	1
Tile	94 cm x 20 cm x 1.0 cm	4.5 kg	Rip cut	1
Tile	94 cm x 20 cm x 1.0 cm	4.5 kg	Crosscut	2
Paver	30.5 cm x 30.5 cm x 5.0 cm	11.7 kg	Rip cut or Crosscut	2
Brick	21.5 cm x 10.2 cm x 6.5 cm	3.1 kg	Rip cut or Crosscut	2

Switching On and Off (Fig. P)

- To switch the machine on, set the on/off switch **1** to position I.
- To switch the machine off, set the on/off switch **1** to position 0.

Wired into the mains cable is the portable residual current device (PRCD) containing the no-volt release switch and the motor overload protector with manual reset. In case of a power shut-off, proceed as follows:

- Make sure the on/off switch is in the off position.
- Press the reset button on the PRCD.

Locking the switch

- In order to avoid unauthorised use of the machine, lock the switch using a padlock.

Cutting Cart Stop Knob (Fig. A, T)

The cutting cart stop knob **18** allows the user to bring the cutting cart assembly **11** back to the same point each time. To set the position, **LIFT UP AND ROTATE** the cutting cart stop knob and slide the cutting cart back until it stops. It can be set to three different positions based on the users preference.

- **A:** Unlock Position: Remove & install cutting cart
- **B:** Position 1: 90 cm cut capacity. Cutting cart extends past the frame.
- **C:** Position 2: 45 cm cut capacity. Cutting cart stops at the edge of the frame.

Basic saw cuts

General Handling

- Try a few simple projects using scrap material until you develop a “feel” for the machine.
- Always make dry runs (without power) before finish cuts so that you can check the path of the cutting disc.

Vertical Straight Cross Cut (Fig. U, Y)

1. Set the bevel angle to 0°.
2. Lower the arm to bring the cutting disc into a suitable position.
3. Place the workpiece flat on the table and against the fence, with the finished side up. Align the marking on the workpiece with the marking in the kerf indicator.
4. Keep both hands away from the path of the cutting disc.
5. Switch the machine on and allow the cutting disc to reach full speed. Wait until the cutting disc is completely covered with water.
6. Slowly feed the workpiece into the cutting disc, keeping it firmly pressed against the fence. Do not force. The cutting disc speed should be kept constant.

NOTE: The cutting disc cover can be rotated up to help align the line on the tile with the cutting disc. Loosen the bolt **59** with the wrench **25** and shown in Fig Y and rotate the cutting disc cover.
7. After completing the cut, switch the machine off, allow the cutting disc to stop and remove the workpiece.

Bevel Cross-Cut (Fig. U)

Bevel angles can be set at 22.5° and 45°.

1. Loosen the bevel adjustment knob **45** and set the bevel as desired.
2. Tighten the bevel adjustment knob firmly.
3. Proceed as for a vertical straight cross-cut.

Diagonal Cut (Fig. V)

The edge guide **19** allows cutting of angles at 45°.

1. Place the edge guide with the mounting bracket over the fence.
2. Flip the edge guide into position for the required application:
 - Flip the edge guide to the right for cutting small pieces from large tiles.
 - Flip the edge guide to the left for any other application.
3. Set the edge guide to the required distance.
4. Tighten the knob **37** to secure the guide in place.
5. Proceed as for a vertical straight cross-cut.

Plunge Cut (Fig. W)

A plunge cut is used to remove the centre of a tile, e.g. for electrical outlets, drains, etc.

1. Mark the area to be cut on both sides of the tile.
2. Fit the appropriate size of cutting disc.
3. Adjust the cutting depth to allow the cutting disc to saw only halfway through the workpiece.
4. Place the workpiece flat on the table and against the fence, with the finished side up. Align the marking on the workpiece with the marking in the kerf indicator.
5. Switch the machine on and allow the cutting disc to reach full speed. Wait until the cutting disc is completely covered with water.
6. Move the table until the marking on the workpiece is underneath the cutting disc.
7. Lower the arm to feed the cutting disc into the workpiece. Do not overcut the mark. As soon as the marking has been cut, lock the arm into its highest position.
8. Repeat as for the other markings.
9. Turn the workpiece upside down. Proceed as described above for the second cuts to meet the first.
10. After completing the cut, switch the machine off, allow the cutting disc to stop and remove the workpiece.

Grooving (Fig. T)

A groove is made into a tile e.g. to accommodate hidden wiring.

1. Adjust the cutting depth as required.
2. Place the workpiece flat on the table and against the fence, with the down side up. Align the marking on the workpiece with the marking in the kerf indicator.
3. Proceed as for a vertical straight cross-cut.
4. Repeat the procedure to make a wider groove.

Transporting (Fig. 0, Z)

The detachable parts can be stored in the water basin for easy transportation.

1. Drain the water basin. See **Maintenance**.
2. Remove the edge guide and the extension table.
3. Lock the cutting cart in position.
4. Remove the water collectors.
5. Lift the machine out of the water basin as shown.
6. Place the collectors into the water basin in the orientation as shown.
7. Turn the water basin upside down.
8. The edge guide and the extension table can be placed in the water basin before nested.
9. Lift and hold the machine at the carrying points **61** as shown in Fig. N.



WARNING: When carrying the machine, always seek assistance. The machine is too heavy for one person to handle. Always lock the cutting cart before moving or transporting saw.

MAINTENANCE

Your power tool has been designed to operate over a long period of time with a minimum of maintenance. Continuous satisfactory operation depends upon proper tool care and regular cleaning.



WARNING: To reduce the risk of serious personal injury, turn tool off and disconnect tool from power source before making any adjustments or removing/installing attachments or accessories. An accidental start-up can cause injury.



WARNING: To assure product SAFETY and RELIABILITY, repairs, maintenance and adjustment should be performed by a DEWALT factory service centre or a DEWALT authorized service centre. Always use identical replacement parts.

If the supply cord is damaged, it must be replaced only by DEWALT or an authorised service organisation.

Draining the Water Basin (Fig. ###)

The water basin must be drained after each use.

1. Place a suitable container under the drain plug **58**.
2. Remove the drain plug.
3. Allow ample time for the liquid to drain.
4. After the liquid has been drained, re-install the drain plug.
5. Dispose of the liquid with due care for the environment.



Lubrication

Your power tool requires no additional lubrication.



Cleaning



WARNING: Blow dirt and dust out of the main housing with dry air as often as dirt is seen collecting in and around the air vents. Wear approved eye protection and approved dust mask when performing this procedure.



WARNING: Never use solvents or other harsh chemicals for cleaning the non-metallic parts of the tool. These chemicals may weaken the materials used in these parts. Use a cloth dampened only with water and mild soap. Never let any liquid get inside the tool; never immerse any part of the tool into a liquid.

Before use, carefully check the cutting disk cover to determine that it will operate properly. Ensure that mud, or work-piece particles cannot lead to blockage of one of the functions.

In case of workpiece fragments jammed between cutting disc and guard disconnect the machine from the power supply and follow the instructions given in section **Mounting the cutting disc**. Remove the jammed parts and reassembling the cutting disc.

Keep the ventilation slots clear and regularly clean the housing with a soft cloth.

The following cleaning operations must be performed every day.

1. Insert the water pump into a bucket of clean water and pump the water through the hose system.
2. Wipe the rails and support arm with a grout sponge or a rag.
3. Spray the water basin and the sliding table with clear water. Wipe any dust residue away with a grout sponge.

Optional Accessories



WARNING: Since accessories, other than those offered by DEWALT, have not been tested with this product, use of such accessories with this tool could be hazardous. To reduce the risk of injury, only DEWALT recommended accessories should be used with this product.

Consult your dealer for further information on the appropriate accessories.

Stand

D240001 Heavy Duty Tile Saw Stand

Range of Cutting Discs Available

DT3734	Wet tile diamond saw blade for cutting ceramic, porcelain tiles and stone
DT3733	Wet tile diamond saw blade for cutting tiles

Storage

Store the equipment and accessories out of children's reach in a dark and dry place at above freezing temperature. The ideal storage temperature is between 5 °C and 30 °C.

Protecting the Environment



Separate collection. Products marked with this symbol must not be disposed of with normal household waste.

Products contain materials that can be recovered or recycled reducing the demand for raw materials. Please recycle electrical products according to local provisions.

Further information is available at www.2helpU.com.

ПЛИТКОРЕЗНЫЙ СТАНОК (ПЛИТКОРЕЗ)

D36000

Поздравляем!

Вы приобрели инструмент DeWALT. Многолетний опыт, тщательная разработка изделий и инновации делают компанию DeWALT одним из самых надежных партнеров для пользователей профессионального электроинструмента.

Технические характеристики

		D36000
Напряжение Великобритания и Ирландия (GB/LX)	$V_{\text{перем. тока}}$	230
	$V_{\text{перем. тока}}$	230/115
Тип		1
Напряжение питания (QS, GB, XE/LX)	Вт	1600/1500
Скорость без нагрузки	об/мин.	4200
Диаметр отрезного диска	мм	250
Диаметр посадочного отверстия диска	мм	25,4
Толщина диска	мм	1,5
Тип отрезного диска		прямой, без углублений (непрерывная кромка)
Макс. периферийная скорость отрезного диска	об/мин.	6000
Установки угла наклона	°	22,5/45
Макс. скорость при продольном резе	мм	940
Размеры - при использовании без подставки - (Д x Ш x В)	мм	1600 x 1067 x 584
Размеры - при использовании с подставкой (а самом высоком положении) - (Д x Ш x В)	мм	1600 x 1067 x 1397
Размеры - в режиме транспортировки (станок) - (Д x Ш x В)	мм	838 x 734 x 483
Размеры - в режиме транспортировки (водосборники) - (Д x Ш x В)	мм	896 x 762 x 165
Глубина реза под углом 90°	мм	80
Номинальный вес (без отрезного диска)	кг	45
Макс. допустимый вес (с отрезным диском и водой)	кг	64,5
Значения шума и вибрации (сумма векторов в трех плоскостях) в соответствии с EN62841-1, EN12418		
L_{PA} (уровень звукового давления)	дБ(А)	91,8
L_{WA} (уровень акустической мощности)	дБ(А)	101,5
K (погрешность для заданного уровня мощности)	дБ(А)	2,5
Значения вибрационного воздействия $a_{HV} =$		
	м/с ²	4,0
Погрешность K =	м/с ²	0,5

Значение вибрационного и/или шумового воздействия, указанное в данном справочном листке, было получено в соответствии со стандартным тестом, приведенным в EN12418 и может использоваться для сравнения инструментов. Кроме того, оно может использоваться для предварительной оценки воздействия вибрации.

ВНИМАНИЕ: Заявленное значение вибрационного и/или шумового воздействия относится к основным областям применения инструмента. Однако, если инструмент используется не по основному назначению, с различными дополнительными принадлежностями или при ненадлежащем уходе, уровень вибрации может измениться. Это может привести к значительному увеличению уровня воздействия вибрации в течение всего рабочего периода. При расчете приблизительного значения вибрационного и/или шумового воздействия также необходимо учитывать время, когда инструмент выключен или то время, когда он работает на холостом ходу. Это может привести к значительному снижению уровня воздействия вибрации в течение всего рабочего периода.

Определите дополнительные меры техники безопасности для защиты оператора от эффектов воздействия вибрации, а именно: следить за состоянием инструмента и принадлежностей, создание комфортных условий работы, хорошая организация рабочего места.

ПРИМЕЧАНИЕ: Этот инструмент предназначен для подключения к системе сетевого питания с максимально допустимым сопротивлением системы $Z_{\text{макс}}$ в 0,30 Ом в точке интерфейса (коробка питания) источника питания пользователя.

Пользователь должен убедиться в том, что этот инструмент подключен только к системе питания, что соответствует указанным выше правилам. При необходимости пользователь может обратиться в государственную энергетическую компанию, и узнать сопротивление системы в точке интерфейса.

Декларация о соответствии нормам ЕС

Директива по механическому оборудованию



Плиткорезный станок D36000

DeWALT заявляет, что продукция, описанная в разделе «Технические характеристики» соответствует:

2006/42/EC, EN62841-1:2015 + AC:2015, EN ISO 12100:2010, EN12418:2000 + A1:2009.

Эти продукты также соответствуют Директивам 2014/30/EU и 2011/65/EU. Для получения дополнительной информации обратитесь в компанию DeWALT по адресу, указанному ниже или приведенному на задней стороне обложки руководства.

Нижеподписавшийся несет ответственность за составление технической документации и составил данную декларацию по поручению компании DeWALT.

Маркус Ромпел
Вице-президент по инженерным разработкам, PTE-Europe
DeWALT, Richard-Klinger-Straße 11,
D-65510, Idstein, Germany
20.11.2020



ВНИМАНИЕ: Во избежание риска получения травм ознакомьтесь с инструкцией.

Обозначения: правила техники безопасности

Ниже описывается уровень опасности, обозначаемый каждым из предупреждений. Прочитайте руководство и обратите внимание на данные символы.



ОПАСНО: Обозначает опасную ситуацию, которая неизбежно приведет к серьезной травме или смертельному исходу, в случае несоблюдения соответствующих мер безопасности.



ВНИМАНИЕ: Указывает на потенциально опасную ситуацию, которая, в случае несоблюдения соответствующих мер безопасности, может привести к серьезной травме или смертельному исходу.



ПРЕДУПРЕЖДЕНИЕ: Указывает на потенциально опасную ситуацию, которая, в случае несоблюдения соответствующих мер безопасности может стать причиной травм средней или легкой степени тяжести.

ПОЯСНЕНИЕ: Указывает на практики, использование которых не связано с получением травмы, но если ими пренебречь, могут привести к порче имущества.



Указывает на риск поражения электрическим током.



Указывает на риск возгорания.

ОБЩИЕ ПРАВИЛА ТЕХНИКИ БЕЗОПАСНОСТИ ПРИ ИСПОЛЬЗОВАНИИ ЭЛЕКТРОИНСТРУМЕНТОВ



ВНИМАНИЕ: Прочитайте и просмотрите все предупреждения, инструкции, иллюстрации и спецификации по данному электроинструменту. Несоблюдение всех приведенных ниже инструкций может стать причиной поражения электрическим током, возгорания и/или тяжелой травмы.

СОХРАНИТЕ ВСЕ ИНСТРУКЦИИ ДЛЯ ПОСЛЕДУЮЩЕГО ИСПОЛЬЗОВАНИЯ

Термин «электроинструмент» в предупреждениях относится к работающим от сети (проводным) электроинструментам или работающим от аккумуляторной батареи (беспроводным) электроинструментам.

1) Безопасность на рабочем месте

- Следите за чистотой и хорошим освещением на рабочем месте.** Захламленное или плохо освещенное рабочее место может стать причиной несчастного случая.
- Запрещается работать с электроинструментами во взрывоопасных местах, например, вблизи легковоспламеняющихся жидкостей, газов и пыли.** Искры, которые появляются при работе электроинструментов могут привести к воспламенению пыли или паров.
- Следите за тем, чтобы во время работы с электроинструментом в зоне работы не было посторонних и детей.** Отвлекаясь от работы вы можете потерять контроль над инструментом.

2) Электробезопасность

- Штепсельная вилка электроинструмента должна соответствовать розетке. Никогда не меняйте вилку инструмента. Запрещается использовать переходники к вилкам для электроинструментов с заземлением.** Использование оригинальных штепсельных вилок, соответствующих типу сетевой розетки снижает риск поражения электрическим током.

- b) Избегайте контакта с заземленными поверхностями, такими как трубы, радиаторы и холодильники. Если вы будете заземлены, увеличивается риск поражения электрическим током.
- c) Запрещается оставлять электроинструмент под дождем и в местах повышенной влажности. При попадании воды в электроинструмент риск поражения электротоком возрастает.
- d) Берегите кабель от повреждений. Никогда не используйте кабель для переноски инструмента, не тяните за него, пытайтесь отключить инструмент от сети. Держите кабель подальше от источников тепла, масла, острых углов или движущихся предметов. Поврежденный или запутанный кабель питания повышает риск поражения электрическим током.
- e) При работе с электроинструментом на открытом воздухе используйте удлинитель, подходящий для использования на улице. Использование кабеля питания, предназначенного для использования вне помещения, снижает риск поражения электрическим током.
- f) Если использование электроинструмента в условиях повышенной влажности неизбежно, используйте устройства защитного отключения (УЗО) для защиты сети. Использование УЗО сокращает риск поражения электрическим током.

3) Обеспечение индивидуальной безопасности

- a) Будьте внимательны, смотрите, что делаете и не забывайте о здравом смысле при работе с электроинструментом. Запрещается работать с электроинструментом в состоянии усталости, наркотического, алкогольного опьянения или под воздействием лекарственных препаратов. Невнимательность при работе с электроинструментом может привести к серьезным телесным повреждениям.
- b) Используйте индивидуальные средства защиты. Всегда используйте защитные очки. Средства защиты, такие как пылезащитная маска, обувь с нескользящей подошвой, каска и защитные наушники, используемые при работе, уменьшают риск получения травм.
- c) Примите меры для предотвращения случайного включения. Перед тем как подключить электроинструмент к сети и/или аккумуляторной батарее, возьмите инструмент или перенести его на другое место, убедитесь в том, что выключатель находится в положении «выкл.». Если при переноске электроинструмента он подключен к сети, и при этом ваш палец находится на выключателе, это может стать причиной несчастных случаев.
- d) Уберите все регулировочные или гаечные ключи перед включением электроинструмента. Ключ, оставленный на вращающейся части электроинструмента, может привести к травме.
- e) Не пытайтесь дотянуться до слишком удаленных поверхностей. Обувь должна быть удобной, чтобы вы всегда могли сохранять равновесие. Это позволит лучше контролировать электроинструмент в непредвиденных ситуациях.
- f) Одевайтесь соответствующим образом. Избегайте носить свободную одежду и ювелирные украшения. Следите за тем, чтобы волосы и одежда не попадали под движущиеся детали. Возможно наматывание свободной одежды, ювелирных изделий и длинных волос на движущиеся детали.
- g) При наличии устройств для подключения оборудования для удаления и сбора пыли необходимо обеспечить правильность их подключения и эксплуатации. Использование устройства для пылеудаления сокращает риски, связанные с пылью.
- h) Не позволяйте хорошему знанию от частого использования инструментов стать причиной самонадеянности и игнорирования правил техники безопасности. небрежное действие может повлечь серьезные травмы за долю секунды.

4) Эксплуатация электроинструмента и уход за ним

- a) Избегайте чрезмерной нагрузки электроинструмента. Используйте электроинструмент в соответствии с назначением. Правильно подобранный электроинструмент выполнит работу более эффективно и безопасно при стандартной нагрузке.
- b) Не пользуйтесь инструментом, если не работает выключатель. Любой инструмент, управлять выключением и включением которого невозможно, опасен, и его необходимо отремонтировать.
- c) Перед выполнением любых настроек, сменой аксессуаров или прежде чем убрать инструмент на хранение, отключите его от сети и/или снимите с него аккумуляторную батарею, если ее можно снять. Такие превентивные меры безопасности сокращают риск случайного включения электроинструмента.
- d) Храните электроинструмент в недоступном для детей месте и не позволяйте работать с инструментом людям, не имеющим соответствующих навыков работы с такого рода инструментами. Электроинструмент представляет опасность в руках неопытных пользователей.
- e) Поддерживайте электроинструмент и принадлежности в исправном состоянии. Проверьте, не нарушена ли центровка или не заклинены ли движущиеся детали, нет ли поврежденных или иных неисправностей, которые могли бы повлиять на работу электроинструмента. В случае обнаружения повреждений, прежде чем приступить к эксплуатации электроинструмента, его нужно отремонтировать. Большинство несчастных случаев происходит из-за электроинструментов, которые не обслуживаются должным образом.

- f) Содержите режущий инструмент в остро заточенном и чистом состоянии. Вероятность заклинивания инструмента, за которым следят должным образом и который хорошо заточен, значительно меньше, а работать с ним легче.
- g) Используйте электроинструменты, принадлежности и насадки в соответствии с данными инструкциями, принимая во внимание условия работы и характер выполняемой работы. Использование электроинструмента для выполнения операций, для которых он не предназначен, может привести к созданию опасных ситуаций.
- h) Все рукоятки и поверхности захватывания должны быть сухими и без следов смазки. Скользкие рукоятки и поверхности захватывания не позволяют обеспечить безопасность работы и управления инструментом в непредвиденных ситуациях.

5) Обслуживание

- a) Обслуживание электроинструмента должен проводить квалифицированный специалист с использованием только оригинальных запасных частей. Это позволит обеспечить безопасность обслуживаемого электрифицированного инструмента.

Дополнительные правила техники безопасности для плиткорезных станков

-  **ВНИМАНИЕ:** Не подключайте инструмент к источнику питания до полного прочтения и понимания инструкций.
- НЕ ИСПОЛЬЗУЙТЕ ДАННЫЙ ИНСТРУМЕНТ ДО ЗАВЕРШЕНИЯ СБОРКИ И УСТАНОВКИ В СООТВЕТСТВИИ С ИНСТРУКЦИЯМИ. Неправильная сборка инструмента может стать причиной серьезной травмы.
- НЕ ИСПОЛЬЗУЙТЕ ИНСТРУМЕНТ, ЕСЛИ ЗАЩИТНЫЙ КОЖУХ ОТРЕЗНОГО ДИСКА НЕ УСТАНОВЛЕН ДОЛЖНЫМ ОБРАЗОМ ИЛИ ПОВРЕЖДЕН.
- ЗАТЯНИТЕ ВСЕ РУКОЯТКИ ЗАЖИМОВ, РУЧКИ И РЫЧАГИ ПЕРЕД РАБОТОЙ. Ослабевшие зажимы могут привести к выбросу частей заготовки на высокой скорости.
- ПОЛУЧИТЕ КОНСУЛЬТАЦИЮ ОПЫТНОГО ОПЕРАТОРА, ИНСТРУКТОРА ИЛИ ДРУГОГО КВАЛИФИЦИРОВАННОГО ЛИЦА, ЕСЛИ У ВАС НЕДОСТАТОЧНО ОПЫТА ДЛЯ РАБОТЫ С ДАННЫМ ИНСТРУМЕНТОМ. Знание есть безопасность.
- УБЕДИТЕСЬ В ТОМ, ЧТО ДИСК ВРАЩАЕТСЯ В ПРАВИЛЬНОМ НАПРАВЛЕНИИ. Обратите внимание на маркировку защитного кожуха
- УБЕДИТЕСЬ, ЧТО ВСЕ ДИСКИ И ЗАЖИМЫ ДИСКОВ ЧИСТЫ, УТОПЛЕННЫЕ СТОРОНЫ ЗАЖИМОВ ДИСКА ПРИЖАТЫ К ДИСКУ, А РАСПОРНЫЙ ВИНТ НАДЕЖНО ЗАТЯНУТ. Слабое или неправильное зажатие диска может повлечь за собой повреждение станка и нанести травмы.
- НЕ РАБОТАЙТЕ С НАПРЯЖЕНИЕМ, ОТЛИЧНЫМ ОТ УКАЗАННОГО ДЛЯ СТАНКА. Это может привести к перегреву, повреждению инструмента и травмам.
- НЕ ЗАКЛИНИВАЙТЕ КАКИМИ-ЛИБО ПРЕДМЕТАМИ КРЫЛЬЧАТКУ ВЕНТИЛЯТОРА ДЛЯ УДЕРЖИВАНИЯ ВАЛА ДВИГАТЕЛЯ. Это может привести к повреждению инструмента и травмам.
- НИ В КОЕМ СЛУЧАЕ НЕ РАЗРЕЗАЙТЕ МЕТАЛЛЫ. Это может привести к вылету твердосплавных наконечников с диска с высокой скоростью и серьезным травмам.
- НЕ РАСПОЛАГАЙТЕ КАКИЕ-ЛИБО ЧАСТИ ТЕЛА НА ОДНОЙ ЛИНИИ С ЛИНИЕЙ РЕЗА ОТРЕЗНОГО ДИСКА. Это может привести к травмам.
- НЕ ДЕРЖИТЕ РУКИ РЯДОМ С ДИСКОМ В ТО ВРЕМЯ, КОГДА ИНСТРУМЕНТ ПОДКЛЮЧЕН К ИСТОЧНИКУ ПИТАНИЯ. Случайное включение диска может привести к серьезным травмам.
- НИКОГДА НЕ ДЕРЖИТЕ РУКИ РЯДОМ С ОТРЕЗНЫМ ДИСКОМ ИЛИ ЗА НИМ. Диск может стать причиной серьезных травм.
- ЗАКРЕПИТЕ ИНСТРУМЕНТ НА УСТОЙЧИВОЙ ОПОРНОЙ ПОВЕРХНОСТИ. Вибрация может привести к скольжению, смещению или опрокидыванию станка, что может привести к серьезным травмам.
- ИСПОЛЬЗУЙТЕ ТОЛЬКО ДИСКИ ПРАВИЛЬНОГО РАЗМЕРА И ТИПА, УКАЗАННОГО ДЛЯ ДАННОГО ИНСТРУМЕНТА, ЧТОБЫ ПРЕДОТВРАТИТЬ ПОВРЕЖДЕНИЕ СТАНКА И/ИЛИ СЕРЬЕЗНЫЕ ТРАВМЫ.
- МАКСИМАЛЬНАЯ СКОРОСТЬ ОТРЕЗНОГО ДИСКА ВСЕГДА ДОЛЖНА БЫТЬ БОЛЬШЕ ИЛИ ХОТЯ БЫ РАВНОЙ СКОРОСТИ, УКАЗАННОЙ НА ПАСПОРТНОЙ ТАБЛИЧКЕ ИНСТРУМЕНТА.
- ДИАМЕТР ОТРЕЗНОГО ДИСКА ДОЛЖЕН СООТВЕТСТВОВАТЬ ОБОЗНАЧЕНИЯМ НА ПАСПОРТНОЙ ТАБЛИЧКЕ ИНСТРУМЕНТА.
- ПРОВЕРЯЙТЕ ДИСКИ НА НАЛИЧИЕ ТРЕЩИН ИЛИ ДРУГИХ ПОВРЕЖДЕНИЙ ПЕРЕД РАБОТОЙ. Треснувший или поврежденный диск может разрушиться с выбросом фрагментов с высокой скоростью, что может привести к серьезным травмам. Немедленно заменяйте треснувшие и поврежденные диски. Соблюдайте максимальную скорость, указанную на отрезном диске.
- НЕ ИСПОЛЬЗУЙТЕ ИСКРИВЛЕННЫЕ ДИСКИ. Убедитесь, что диск вращается плавно и без вибраций. Вибрирующий диск может привести к повреждению станка и/или серьезным травмам.
- ДЕРЖИТЕ ЗАЩИТНЫЙ КОЖУХ НА МЕСТЕ И В ИСПРАВНОМ СОСТОЯНИИ. Не используйте данный станок без установленного защитного кожуха
- ИСПОЛЬЗУЙТЕ ТОЛЬКО ЗАЖИМЫ ДИСКА, ПРЕДНАЗНАЧЕННЫЕ ДЛЯ ДАННОГО ИНСТРУМЕНТА, ЧТОБЫ ПРЕДОТВРАТИТЬ ПОВРЕЖДЕНИЕ СТАНКА И/ИЛИ СЕРЬЕЗНЫЕ ТРАВМЫ.

- **УБЕДИТЕСЬ, ЧТО ПЕРЕД НАЧАЛОМ РАБОТЫ ПОДОБРАЛИ ПРАВИЛЬНЫЙ ДИСК В СООТВЕТСТВИИ С МАТЕРИАЛОМ.**
- **ПРОЧИТАЙТЕ ВЕНТИЛЯЦИОННЫЕ ПРОРЕЗИ ДВИГАТЕЛЯ ОТ ЩЕПЫ И ПЫЛИ.**
Забитые вентиляционные прорезы могут привести к перегреву станка, что может повлечь за собой повреждения станка и привести к короткому замыканию, которое может привести к серьезным травмам.
- **НИКОГДА НЕ ВСТАВАЙТЕ НА ИНСТРУМЕНТ.** Если вы перевернете инструмент или если случайно соприкоснетесь с режущим инструментом, это может привести к серьезным травмам.
- **НЕ ИСПОЛЬЗУЙТЕ ДАННЫЙ ИНСТРУМЕНТ ПРИ НЕОБХОДИМОСТИ РУЧНОГО УДЕРЖИВАНИЯ ДЕТАЛИ НА РАССТОЯНИИ 15 СМ ОТ ВРАЩАЮЩЕГОСЯ ОТРЕЗНОГО ДИСКА.**
- **НЕ РАБОТАЙТЕ, УДЕРЖИВАЯ ЗАГОТОВКУ ВРУЧНУЮ.** Крепко прижимайте обрабатываемую заготовку к столу и направляющему упору.
- **ПЕРЕД ПЕРЕМЕЩЕНИЕМ ЗАГОТОВКИ ИЛИ СМЕНОЙ НАСТРОЕК ВЫКЛЮЧИТЕ СТАНОК И ДОЖДИТЕСЬ ОСТАНОВКИ ОТРЕЗНОГО ДИСКА.** Не держите руку рядом с диском во время выбега, так как это представляет опасность
- **НИКОГДА НЕ ВЫПОЛНЯЙТЕ ЧИСТКУ ИЛИ ТЕХНИЧЕСКОЕ ОБСЛУЖИВАНИЕ,** когда станок еще работает, а головка находится в рабочем положении. Не держите руку рядом с диском во время выбега, так как это представляет опасность
- **НЕ РЕЖЬТЕ ЗАГОТОВКИ, ТОЛЩИНА КОТОРЫХ ПРЕВЫШАЕТ МАКСИМАЛЬНО ДОПУСТИМУЮ ГЛУБИНУ РЕЗАНИЯ ДИСКА.**
- **НИ В КОЕМ СЛУЧАЕ НЕ РЕЖЬТЕ ВСУХУЮ.** Резка сухой может привести не только к повреждению станка, но и увеличить образование вредных частиц пыли.
- **НЕ ИСПОЛЬЗУЙТЕ ОТРЕЗНЫЕ ДИСКИ ДЛЯ ШЛИФОВАНИЯ БОКОВОЙ ПОВЕРХНОСТИ.** Это может привести к вылету твердосплавных наконечников с диска с высокой скоростью и серьезным травмам.
- **ВСЕГДА ХРАНИТЕ ОТРЕЗНЫЕ ДИСКИ В НАДЕЖНО ЗАЩИЩЕННОМ И СУХОМ МЕСТЕ, НЕДОСТУПНОМ ДЛЯ ДЕТЕЙ.** Чтобы предотвратить повреждение станка и несанкционированное использование.
- **НЕ ВЫПОЛНЯЙТЕ НАСТРОЙКУ ИЛИ ЗАМЕНУ ДЕТАЛЕЙ ДЛЯ ИЗМЕНЕНИЯ ЗАВОДСКИХ НАСТРОЕК.** Технические изменения может выполнять только производитель в соответствии с применимыми требованиями безопасности.
- **ПРИ ИСПОЛЬЗОВАНИИ ПЛИТКОРЕЗНОГО СТАНКА НАДЕВАЙТЕ ПЕРЧАТКИ.** Обрабатываемые заготовки могут иметь острые края.

- ⚡ ВНИМАНИЕ!** Убедитесь, что все соединения сухие перед активацией цепи и подключением станка.
- Следите, чтобы на электрических частях инструмента и на людях в рабочей зоне не было воды.
 - Замена удлинительного кабеля всегда должна выполняться производителем инструмента или сервисным агентом.
- ⚡ ВНИМАНИЕ!** После восстановления напряжения переведите выключатель в положение ВЫКЛ. перед нажатием кнопки сброса на портативном устройстве защитного отключения (УЗО).
- Убедитесь, что установка оснащена соответствующим предохранителем категории «В» в соответствии с HD384.

Остаточные риски

Несмотря на соблюдение соответствующих инструкций по технике безопасности и использование предохранительных устройств, некоторые остаточные риски невозможно полностью исключить. А именно:

Использование данных инструментов связано со следующими рисками:

- повреждения в результате касания вращающихся частей
- повреждения в результате разрушения отрезного диска

Данные риски наиболее распространены:


- в рабочем диапазоне
- в диапазоне вращающихся деталей станка

Несмотря на соблюдение соответствующих инструкций по технике безопасности и использование предохранительных устройств, некоторые остаточные риски невозможно полностью исключить. А именно:

- Ухудшение слуха.
- Несчастные случаи, происходящие в результате контакта с открытым движущимся отрезным диском.
- Риск получения травмы пальцев при смене отрезного диска.
- Риск защемления пальцев при снятии защитных кожухов.

Электробезопасность

Электродвигатель рассчитан на работу только при одном напряжении сети. Необходимо обязательно убедиться в том, что напряжение источника питания соответствует указанному на шильдике устройства. Необходимо также убедиться в том, что напряжение работы зарядного устройства соответствует напряжению в сети.

 Зарядное устройство DeWALT оснащено двойной изоляцией в соответствии с требованиями EN60745; поэтому провод заземления не требуется.

В случае повреждения кабеля питания его необходимо заменить специально подготовленным кабелем, который можно приобрести в сервисных центрах DeWALT.

Использование удлинительного кабеля

Используйте удлинитель только в случаях крайней необходимости. Используйте только утвержденные удлинители промышленного изготовления, рассчитанные на мощность не меньшую, чем потребляемая мощность зарядного устройства (см. **Технические**

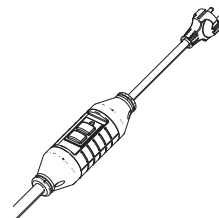
характеристики). Минимальное поперечное сечение провода электрического кабеля должно составлять 1 мм²; максимальная длина 30 м.

При использовании кабельного барабана всегда полностью разматывайте кабель.

Портативное устройство защитного отключения

Станок оснащен переносным устройством защитного отключения по току утечки (УЗО), которое защищает пользователя, замкнувшего какой-либо частью своего тела электрическую цепь, от поражения электрическим током, если ток утечки при этом достигнет 10 мА или более.

- ⚡ ВНИМАНИЕ:** Никогда не используйте инструмент без установленного УЗО на месте. Не используйте инструмент, если УЗО не выполняет своих функций должным образом. Для работы УЗО инструмент должен быть подключен к заземленной стенной электрической розетке. Перед использованием плиткорезного станка периодически проверяйте работу УЗО, нажимая на кнопку TEST (ПРОВЕРКА).



Комплектация поставки

В упаковку входят:

- 1 Блок электродвигателя
- 1 Блок опорной рамы
- 1 Водный отсек
- 1 Водяной насос
- 1 Отрезной диск
- 1 Передвижной стол
- 1 Удлинительный стол
- 1 Направляющий упор
- 2 Задних водосборника
- 2 Водосборника передвижного стола
- 1 Защитный щиток от брызг
- 6 Шестигранных винтов
- 1 Шестигранный ключ
- 1 Ключ для установки отрезного диска
- 1 Руководство по эксплуатации
- Проверьте инструмент, детали и дополнительные принадлежности на наличие повреждений, которые могли произойти во время транспортировки.
- Перед эксплуатацией внимательно прочтите данное руководство.

Условные обозначения на инструменте

На инструмент нанесены следующие обозначения.



Перед началом работы прочтите руководство по эксплуатации.



Не используйте отрезные диски с углублениями.



Надевайте защитные очки.



При работе с инструментом надевайте защитные перчатки.



Всегда пользуйтесь средствами защиты слуха.



ВНИМАНИЕ! Острые кромки.



Пусковой выключатель: положение I (вкл.) и O (выкл.).



Место захвата для переноски



Не помещайте руки в данную зону.



Максимальная глубина реза

Место положения кода даты (Рис. [Fig.] А)

Код даты **22**, который также включает в себя год изготовления, отштампован на поверхности корпуса инструмента.

Пример:

2020 XX XX
Год изготовления

Описание (Рис. А)

ВНИМАНИЕ: *Никогда не вносите изменения в конструкцию электроинструмента или какой-либо его части. Это может привести к повреждению или травме.*

- | | |
|----------------------------------|---|
| 1 Пусковой выключатель | 12 Малый водосборник передвижного стола |
| 2 Блок электродвигателя | 13 Большой водосборник передвижного стола |
| 3 Рабочая рукоятка | 14 Удлинительный стол |
| 4 Рукоятка фиксатора головки | 15 Водный отсек |
| 5 Защитный кожух отрезного диска | 16 Блок опорной рамы |
| 6 Отрезной диск | 17 Водяные сопла |
| 7 Резиновый клапан | 18 Фиксатор передвижного стола |
| 8 Малый задний водосборник | 19 Направляющий упор |
| 9 Большой задний водосборник | 20 Винт защитного кожуха отрезного диска |
| 10 Защитный щиток от брызг | 21 Место для хранения принадлежностей |
| 11 Узел передвижного стола | |

Назначение

Ваш D36000 плиткорезный станок предназначен для профессионального мокрого резания плитки. В случае использования соответствующего отрезного диска диаметром 250 мм он может резать бетон, кирпич, фарфоровые и керамические материалы. Обеспечивая оптимальное разнообразие, плиткорезный станок производит качественное и безопасное резание следующими методами: прямое резание (продольное), резание по диагонали, врезное пиление и резание с наклоном.

Данный станок нельзя использовать для любых операций, отличных от указанных в данном руководстве.

НЕ ИСПОЛЬЗУЙТЕ в условиях повышенной влажности или поблизости от легковоспламеняющихся жидкостей или газов.

НЕ РАЗРЕШАЙТЕ детям прикасаться к инструменту. Использование инструмента неопытными пользователями должно происходить под контролем опытного лица.

- **Малолетние дети и люди с ограниченными физическими возможностями.** Данный инструмент не предназначен для использования маленькими детьми или людьми с ограниченными физическими возможностями, если они не находятся под присмотром лица, отвечающего за их безопасность.
- Данный инструмент не предназначен для использования лицами (включая детей) с ограниченными физическими, психическими и умственными возможностями, не имеющими опыта, знаний или навыков работы с ним, если они не находятся под наблюдением лица, ответственного за их безопасность. Никогда не оставляйте детей без присмотра с этим инструментом.

СБОРКА И РЕГУЛИРОВКА

ВНИМАНИЕ: *Чтобы снизить риск получения серьезной травмы, необходимо выключить инструмент и отсоединить батарею, прежде чем выполнять какую-либо регулировку либо удалять/устанавливать какие-либо насадки или дополнительные принадлежности. Случайный запуск может привести к травме.*

ВНИМАНИЕ: *Используйте только зарядные устройства и аккумуляторные батареи марки DeWALT.*

СБОРКА

ВНИМАНИЕ: *Перед сборкой всегда отключайте инструмент от питания.*

ВНИМАНИЕ: *Во время сборки станка всегда соблюдайте инструкции в представленном ниже порядке.*

Распаковка станка и его компонентов

ВНИМАНИЕ: *Во время перемещения станка всегда обращайтесь за помощью. Станок слишком тяжелый для перемещения одним человеком.*

1. Извлеките упаковочный материал из коробки.
2. Извлеките компоненты станка из коробки.
3. Удалите оставшийся упаковочный материал с компонентов станка.

Хранение ключа (Рис. А, В)

Ваш плиткорезный станок поставляется с двумя ручными инструментами, которые могут понадобиться при сборке. Шестигранный ключ **24** и ключ для установки отрезного диска **25** хранятся в задней части блока электродвигателя **2**.

Сборка блока электродвигателя (Рис. А, С, D)

1. Поместите водный отсек **15** на ровную устойчивую поверхность или на подставку.
2. Поместите блок опорной рамы **16** в водный отсек **15**.
ПРИМЕЧАНИЕ: Убедитесь, что передняя часть блока опорной рамы находится под кронштейном отсека для воды **62**, чтобы обеспечить надежную посадку (Рис. С).
3. Входящим в комплект поставки шестигранным ключом **24** удалите винты **23** с блока опорной рамы.
4. Поместите блок электродвигателя **2** на блок опорной рамы (Рис. D).
5. Зафиксируйте головку, вставив два винта **23** в отверстия, ближайшие к рельсу. Затяните винты шестигранным ключом, входящим в комплект поставки. Вставьте оставшиеся четыре винта в другие четыре отверстия и затяните.

Установка узла передвижного стола на блок опорной рамы (Рис. Е, F, T)

1. Поверните фиксатор передвижного стола **18** в положение разблокировки (см. раздел «**Фиксатор передвижного стола**») и передвиньте стол на рельсах.
2. Совместите стрелку в задней части узла передвижного стола **11** со стрелкой на рельсе с левой стороны блока опорной рамы **16**.
3. Передвиньте узел передвижного стола по рельсам, открывая фиксатор передвижного стола **18** с роликами.
4. Поверните фиксатор передвижного стола в первое или второе положение, чтобы во время использования передвижной стол оставался на рельсах. В разделе «**Фиксатор передвижного стола**» имеется описание положений.

Установка удлинительного стола (Рис. G)

1. Держите удлинительный стол **14** спереди с правой стороны от узла передвижного стола **11**.
2. Выровняйте направляющие штифты **30** на удлинительном столе с отверстиями **31** в передвижном столе.
3. Установите удлинительный стол на передвижной стол.
4. Затяните зажимную рукоятку **29**.

Сборка водяного насоса и водосборников (Рис. А, H, I)

ВНИМАНИЕ: *Перед установкой водяного насоса в водном отсеке убедитесь, что кабель не поврежден.*

1. Установите резьбовой штуцер **26** на водяной насос **27**. Подсоедините водный шланг **28** к резьбовому штуцеру (Рис. H).
ПРИМЕЧАНИЕ: Идеальное положение для водяного насоса - передний левый угол водного отсека, вблизи от сливной заглушки.
2. Вставьте вилку кабеля насоса в электрическую розетку **29** (Рис. I).
3. Залейте в отсек 19 литров чистой воды. Насос должен быть погружен в воду.
ПРИМЕЧАНИЕ: Чтобы продлить срок службы насоса, всегда помещайте насос в чистую проточную воду.
ПРИМЕЧАНИЕ: Край водного отсека - линия максимального заполнения водой **60**. НЕ ЗАПОЛНЯЙТЕ водный отсек водой выше линии максимального заполнения.
4. Установите малый задний водосборник **8**, большой задний водосборник **9** и защитный щиток от брызг **10**, если требуется.
5. Установите малый водосборник передвижного стола **12** и большой водосборник передвижного стола **13**, если требуется.

Установка отрезного диска (Рис. J, M)

При установке отрезного диска следите, чтобы направление резания (направление стрелки на отрезном диске) соответствовало направлению стрелки на защитном кожухе диска! Допускается устанавливать отрезные диски с максимальным диаметром 254 мм.

1. Ослабьте (но не вынимайте) винт защитного кожуха отрезного диска **20**, расположенный в боковой части кожуха **5**. Оттяните резиновый клапан и отведите назад защитный кожух.
2. Нажмите на кнопку блокировки шпинделя **35**. Удалите гайку отрезного диска **33**, используя ключ для установки диска **25**, входящий в комплект поставки. Удалите внешний фланец **33**.
ВНИМАНИЕ: *Для использования блокировки шпинделя нажмите на кнопку, как показано на рисунке, и вращайте шпиндель вручную пока не почувствуете срабатывания блокировки. Продолжайте удерживать кнопку блокировки для предотвращения вращения шпинделя.*
3. Установите отрезной диск **6** на внутренний фланец **34**, чтобы стрелка направления вращения на нем указывала в том же направлении, что и стрелка направления вращения на защитном кожухе. Нажмите на кнопку блокировки шпинделя **35**, затягивая гайку отрезного диска.
4. Верните защитный кожух на место и затяните винт защитного кожуха **20**.
5. Отрегулируйте отрезной диск на нужную глубину (см. раздел «**Проверка и регулировка глубины реза**»).

ВНИМАНИЕ: *Никогда не нажимайте на кнопку блокировки шпинделя во время вращения отрезного диска.*

ВНИМАНИЕ: *Во избежание риска получения травмы убедитесь, что защитный кожух установлен правильно.*

Подключение станка к электросети (Рис. А)

1. Убедитесь, что пусковой выключатель ❶ находится в выключенном положении.
2. Вставьте вилку кабеля в электрическую розетку.
3. Нажмите на кнопку сброса УЗО на кабеле питания и затем передвиньте пусковой выключатель в положение включения, если станок не запустился.
4. Расположите провод в виде капельной петли (с провисанием), для исключения попадания воды на штепсельную вилку. Капельная петля - часть кабеля, расположенная ниже штепсельной розетки.

Проверка и регулировка глубины реза (Рис. А, L)

Нижний край отрезного диска всегда должен находиться минимум на 5 мм ниже поверхности стола.

1. Ослабьте рукоятку настройки глубины реза 44.
2. Направьте резак вниз, чтобы установить отрезной диск в самое нижнее положение.
3. Затяните рукоятку настройки глубины реза.
4. Произведите пробный пуск, протолкнув стол под отрезным диском на всю длину хода. **Убедитесь, что отрезной диск не касается передвигного стола.**
5. При необходимости регулировки выполните следующие действия:
 - a. Ослабьте рукоятку фиксатора головки 4.
 - b. Отрегулируйте рукоятку настройки глубины реза 44, чтобы нижний край отрезного диска находился минимум на 5 мм ниже поверхности стола.
 - c. При выключенном станке протолкните передвигной стол под отрезным диском и убедитесь, что отрезной диск не касается передвигного стола.
 - d. Отрегулируйте рукоятку настройки глубины реза и затяните барашковую гайку 54, а затем рукоятку фиксатора головки 4.

РЕГУЛИРОВКА

⚠ ВНИМАНИЕ: Перед регулировкой всегда отключайте инструмент от питания.

⚠ ВНИМАНИЕ: Для снижения риска получения травмы, всегда проверяйте, чтобы отрезной диск был отрегулирован на правильную высоту и положение в центре канавки передвигного стола, прежде чем приступать к работе.

Проверка перпендикулярности подачи к направляющей при поперечном распиле (Рис. N, O)

1. Направьте резак вниз, чтобы установить отрезной диск в самое нижнее положение.
2. Переместите передвигной стол в положение перед отрезным диском.
3. Положите угольник 43 (не входит в комплект поставки инструмента) на передвигной стол и вплотную к направляющей, чтобы он едва касался отрезного диска, как показано.
4. Протолкните передвигной стол под отрезным диском, чтобы проверить параллельность передвижения угольника относительно диска.
5. При необходимости регулировки выполните следующие действия:
 - a. Ослабьте винты 51, крепящие блок рельсов к опорной раме.
 - b. Вручную переместите рельс.
 - c. Приставив угольник вплотную к направляющей, еще раз проверьте, что диск движется параллельно угольнику и в случае необходимости отрегулируйте.
 - d. Затяните винты 51.

Проверка перпендикулярности отрезного диска относительно стола (Рис. K–M)

1. Ослабьте рукоятку регулировки угла наклона 45.
2. Прижмите пильную головку вправо, чтобы убедиться в том, что она расположена полностью вертикально, и затяните рукоятку регулировки угла наклона.
3. Направьте резак вниз, чтобы установить отрезной диск в самое нижнее положение.
4. Переместите передвигной стол под отрезной диск.
5. Положите угольник 43 на подвижный стол и вплотную к отрезному диску, как показано.
6. При необходимости регулировки выполните следующие действия:
 - a. Ослабьте рукоятку регулировки угла наклона 45 и поворачивайте стопорный винт регулировки вертикального положения 49 в нужном направлении до тех пор, пока диск не будет установлен под углом 90° к столу в соответствии с измерениями угольника.
 - b. Если указатель угла наклона 46 не указывает

на ноль градуированной шкалы угла наклона 48, ослабьте винт 47 крепления указателя и установите указатель в нужное положение.

Проверка и регулировка угла наклона (Рис. K, L)

1. Ослабьте рукоятку регулировки угла наклона 41 и переместите пильную головку влево. При этом угол наклона будет равен 45°.
2. При необходимости регулировки выполните следующие действия:
 - a. Поверните стопорный винт 50 влево или

вправо, чтобы указатель 46 указывал на 45°.

Прорезание прорези (Рис. P)

Разметочная прорезь 56 предназначена

для определения местоположения линии перемещения отрезного диска.

1. Включите станок и дождитесь, пока диск не достигнет полной скорости.
2. Протолкните подвижный стол на всю длину под режущим диском, чтобы прорезать прорезь в колесе 56.
3. **Убедитесь, что отрезной диск не задевает подвижный стол.**
4. Выключите станок.
5. Если прорезь достаточно изношена, можно прорезать новую.
 - a. Ослабьте фиксирующий винт 57.
 - b. Поворачивайте колесо до нахождения на нем места, не имеющего следов резания.
 - c. Затяните фиксирующий винт.
 - d. Прорежьте новую прорезь, следуя приведенным выше указаниям.

Блокировка подвижного стола (Рис. Q)

Данный подвижный стол можно заблокировать в следующих положениях:

- Переднее положение (свободный доступ к отрезному диску) 40.
- Врезное положение (отрезной диск в середине подвижного стола) 41.
- Выходное положение (отрезной диск у направляющей) 42.

1. Переместите подвижный стол 11 в нужное положение.
2. Заблокируйте подвижный стол, поворачивая фиксирующий штифт 39 и вдавливая его в отверстие в рельсе.

Регулировка водяных сопел (Рис. R1–R3)

Водяные сопла 17 регулируются для обеспечения максимальной подачи воды для резки и максимальной производительности резки с минимальным количеством избыточного распыления и тумана. Регулировочный рычаг 36 позволяет с легкостью отрегулировать положение сопел.

- Оптимальное положение для минимального распыления (Рис. R1).
- Водяные сопла 17 могут быть полностью втянуты для обеспечения максимальной производительности резки (Рис. R2).
- Выключенное положение предотвращает распыление воды между резами и при смене отрезного диска (Рис. R3).

ИНСТРУКЦИИ ПО ЭКСПЛУАТАЦИИ

Убедитесь в том, что инструмент расположен оптимально с точки зрения эргономики, на столе соответствующей высоты и в устойчивом положении. Местоположение станка должно быть выбрано так, чтобы у оператора был хороший обзор и вокруг было достаточно места, которое позволило бы удобно работать с обрабатываемой деталью.

Чтобы уменьшить эффект вибрации, убедитесь в том, что температура окружающей среды не была слишком низкой, за инструментом и принадлежностями был надлежащий уход, а размер заготовки соответствовал инструменту.

⚠ ВНИМАНИЕ:

- Всегда соблюдайте правила техники безопасности и применимые законы.
- Убедитесь в правильной настройке станка.
- Убедитесь в необходимой поддержке заготовки.
- Убедитесь, что отрезной диск не касается заготовки до включения станка.
- Перед началом резки дождитесь, пока двигатель наберет полные обороты.
- Не прилагайте чрезмерное усилие при работе со станком. Не прилагайте силу во время резки.
- Держите руки на расстоянии от линии хода отрезного диска. Не помещайте руки внутри отмеченной на узле подвижного стола зоне.

Подготовка к эксплуатации

- Установите плиткорезный станок на горизонтальную, устойчивую и не скользкую поверхность.
- Установите соответствующий отрезной диск.
- Убедитесь в том, что все фиксаторы и зажимы надежно закреплены.
- Заполните водный отсек достаточным количеством воды для успешного погружения водяного насоса.
- Используйте только чистую воду. Не используйте никакую другую жидкость.

МАКСИМАЛЬНЫЕ РАЗМЕРЫ ПЛИТКИ

Тип материала	Размер (макс.)	Макс. вес	Рез	Положение фиксатора передвижного стола
Керамическая плитка	60 см x 60 см x 1,0 см	9 кг	Продольный или поперечный рез	2
Керамическая плитка	90 см x 90 см x 1,0 см	20 кг	Продольный или поперечный рез	1
Керамическая плитка	94 см x 20 см x 1,0 см	4,5 кг	Продольный рез	1
Керамическая плитка	94 см x 20 см x 1,0 см	4,5 кг	Поперечный рез	2
Брусчатка	30,5 см x 30,5 см x 5,0 см	11,7 кг	Продольный или поперечный рез	2
Кирпич	21,5 см x 10,2 см x 6,5 см	3,1 кг	Продольный или поперечный рез	2

Включение и выключение (Рис. Р)

- Чтобы включить станок, установите пусковой выключатель **1** в положение I.
- Чтобы выключить станок, установите пусковой выключатель **1** в положение O.

Установленный сетевой кабель оснащен портативным устройством защитного отключения (УЗО) с выключателем защиты от отсутствия напряжения и устройством защиты от перегрузки двигателя с ручным сбросом. В случае отключения питания выполните следующие действия:

- Убедитесь, что пусковой выключатель находится в выключенном положении.
- Нажмите на кнопку сброса на УЗО.

Блокировка выключателя

- Чтобы избежать использования станка не уполномоченными лицами, заблокируйте выключатель, используя навесной замок.

Фиксатор передвижного стола (Рис. А, Т)

Фиксатор передвижного стола **18** позволяет пользователю возвращать узел передвижного стола **11** каждый раз в одну и то же положение. Чтобы отрегулировать положение, **ПОДНИМИТЕ И ПОВЕРНИТЕ** фиксатор передвижного стола и передвигайте стол назад до его остановки. Можно установить в трех различных положениях, в зависимости от нужд пользователя.

- **А:** Положение разблокировки: Для снятия и установки передвижного стола
- **В:** Положение 1: Режущая способность 90 см. Передвижной стол выходит за пределы рамы.
- **С:** Положение 2: Режущая способность 45 см. Передвижной стол останавливается на краю рамы.

Основные типы резов

Общие указания

- Изготовьте несколько простых изделий из отходов, чтобы почувствовать уверенность при управлении станком.
- Всегда сначала выполняйте пробные разрезы (при выключенном станке), перед тем как делать окончательный разрез, чтобы проверить ход диска.

Вертикальный прямой поперечный разрез (Рис. U, Y)

1. Установите угол наклона 0°.
 2. Направьте резак вниз, чтобы установить отрезной диск в самое нижнее положение.
 3. Положите заготовку на стол вплотную к направляющей, обрабатываемой стороной вверх. Совместите разметку на обрабатываемой заготовке с разметочной прорезью.
 4. Держите обе руки на расстоянии от линии хода отрезного диска.
 5. Включите инструмент и дождитесь, пока отрезной диск наберет полные обороты. Дождитесь, чтобы отрезной диск был полностью покрыт водой.
 6. Медленно подавайте заготовку в отрезной диск, прижимая ее к направляющей. Не прилагайте чрезмерные усилия. Скорость отрезного диска должна быть постоянной.
- ПРИМЕЧАНИЕ:** Защитный кожух отрезного диска можно повернуть вверх, чтобы выровнять линию на плитке с отрезным диском. Ослабьте болт **59** гаечным ключом **25**, как показано на Рис. Y и поверните защитный кожух отрезного диска.
7. По окончании разреза выключите инструмент, дождитесь полной остановки отрезного диска и удалите заготовку.

Поперечный рез с наклоном (Рис. U)

Угол наклона можно установить в диапазоне от 22,5° до 45°.

1. Ослабьте зажимную рукоятку **41** и установите нужный угол наклона.
2. Надежно затяните зажимную рукоятку установки угла наклона.
3. Далее действуйте так же, как для вертикального разреза под прямым углом.

Рез по диагонали (Рис. V)

Направляющий упор **19** позволяет резать под углом 45°.

1. Установите направляющий упор с монтажным кронштейном на направляющей.
2. Поверните направляющий упор в положение для соответствующего применения:
 - Поверните направляющий упор вправо для отрезания маленьких кусков от плитки большого размера.
 - Поверните направляющий упор влево для любого иного применения.
3. Установите направляющий упор на нужном расстоянии.
4. Затяните рукоятку **37**, фиксируя направляющий упор на месте.
5. Далее действуйте так же, как для вертикального разреза под прямым углом.

Врезное пиление (Рис. W)

Методом врезного пиления можно вырезать элемент в центре плитки, например, отверстия для электрических розеток, слива и т. д.

1. Отметьте зону для резки с обеих сторон плитки.
2. Установите отрезной диск соответствующего размера.
3. Настройте глубину резки, чтобы отрезной диск только наполовину проходил через заготовку.
4. Положите заготовку на стол вплотную к направляющей, обрабатываемой стороной вверх. Совместите разметку на обрабатываемой заготовке с разметочной прорезью.
5. Включите инструмент и дождитесь, пока отрезной диск наберет полные обороты. Дождитесь, чтобы отрезной диск был полностью покрыт водой.
6. Передвиньте стол, чтобы разметка на обрабатываемой заготовке оказалась под отрезным диском.
7. Направьте резак вниз, чтобы опустить отрезной диск на заготовку. Режьте, не выходя за пределы разметки. Как только зона внутри разметки будет вырезана, заблокируйте резак в самом высоком положении.
8. Повторите то же самое для других линий разметки.
9. Переверните заготовку нижней стороной вверх. Выполните указанные выше действия для второго разреза, чтобы он соответствовал первому.
10. По окончании разреза выключите инструмент, дождитесь полной остановки отрезного диска и удалите заготовку.

Вырезание пазов (Рис. Т)

Пазы в плитках вырезаются, например, для прокладки скрытой электропроводки.

1. Установите нужную глубину резки.
2. Положите заготовку на стол вплотную к направляющей, нижней стороной вверх. Совместите разметку на обрабатываемой заготовке с разметочной прорезью.
3. Далее действуйте так же, как для вертикального разреза под прямым углом.
4. Если необходимо расширить паз, повторите процесс.

Транспортировка (Рис. O, Z)

Демонтированные компоненты можно хранить в водном отсеке для простоты перевозки.

1. Опустошите водный отсек. См. раздел «Техническое обслуживание».
2. Снимите направляющий упор и удлинительный стол.
3. Надежно закрепите передвижной стол.
4. Снимите водосборники.
5. Поднимите станок из водного отсека как показано на рисунке.
6. Установите водосборники в водный отсек как показано на рисунке.
7. Переверните водный отсек вверх дном.
8. Направляющий упор и удлинительный стол теперь можно поместить в водный отсек перед складыванием.
9. Поднимите и удерживайте станок за места захвата для переноски **61**, как показано на Рис. O.

⚠ ВНИМАНИЕ: Во время переноски станка всегда обращайтесь за помощью. Станок слишком тяжелый для перемещения одним человеком. Перед перемещением или переноской станка всегда фиксируйте передвижной стол.

ТЕХНИЧЕСКОЕ ОБСЛУЖИВАНИЕ

Электроинструмент имеет длительный срок эксплуатации и требует минимальных затрат на техобслуживание. Для длительной безотказной работы необходимо обеспечить правильный уход за инструментом и его регулярную чистку.

⚠ ВНИМАНИЕ: Для снижения риска получения тяжелых травм **отключайте инструмент и отсоединяйте его от источника питания перед проведением любой регулировки или снятием/установкой дополнительных принадлежностей или насадок.** Случайный запуск может привести к травме.

⚠ ВНИМАНИЕ: Для обеспечения БЕЗОПАСНОСТИ и НАДЕЖНОСТИ изделия, ремонт, техническое обслуживание и регулировка должны выполняться в заводском сервисном центре DeWALT или в авторизованном сервисном центре DeWALT. Всегда используйте идентичные запасные части.

Замена поврежденного кабеля питания должна производиться только DeWALT или в авторизованном сервисном центре.

Опустошение водного отсека (Рис. ###)

После каждого использования нужно опустошать водный отсек.

1. Поместите соответствующий контейнер под сливную заглушку **58**.
2. Выньте сливную заглушку.
3. Обеспечьте достаточно времени для слива жидкости.
4. После слива жидкости повторно установите сливную заглушку.
5. Вылейте жидкость безопасным для окружающей среды способом.



Смазка

Ваш электроинструмент не требует дополнительной смазки.



Чистка



ВНИМАНИЕ: Выдувайте грязь и пыль из корпуса сухим сжатым воздухом по мере видимого скопления грязи внутри и вокруг вентиляционных отверстий. Выполняйте очистку, надев средство защиты глаз и респиратор утвержденного типа.



ВНИМАНИЕ: Никогда не используйте растворители или другие агрессивные химические средства для очистки неметаллических деталей инструмента. Эти химикаты могут ухудшить свойства материалов, примененных в данных деталях. Используйте ткань, смоченную в воде с мягким мылом. Не допускайте попадания какой-либо жидкости внутрь инструмента; ни в коем случае не погружайте какую-либо часть инструмента в жидкость.



Приложение к руководству по эксплуатации электрооборудования для определения месяца производства по номеру текущей календарной недели года

Электрооборудование торговых марок "Dewalt", "Stanley", "Stanley FatMAX", "BLACK+DECKER".

Директивы 2014/30/EU ЕВРОПЕЙСКОГО ПАРЛАМЕНТА И СОВЕТА от 26 февраля 2014 г. "О гармонизации законодательств Государств-членов ЕС в области электромагнитной совместимости", 2006/42/ЕС ЕВРОПЕЙСКОГО ПАРЛАМЕНТА И СОВЕТА от 17 мая 2006 г. "О машинах и оборудовании"; 2014/35/EU ЕВРОПЕЙСКОГО ПАРЛАМЕНТА И СОВЕТА от 26 февраля 2014 г. "О гармонизации законодательств государств-членов в области размещения на рынке электрооборудования, предназначенного для использования в определенных пределах напряжения".
Серийный выпуск.

ТОВАР СЕРТИФИЦИРОВАН

Орган по сертификации "РОСТЕСТ- Москва", Адрес: 119049, г. Москва, улица Житная, д. 14, стр. 1; 117418, Москва, Нахимовский просп., 31 (фактический), Телефон: (499) 1292311, (495) 6682893, Факс: (495) 6682893, E-mail: office@rostest.ru
Изготовитель: Изготовитель: Блэк энд Деккер Холдингс ГмБХ, Германия, 65510, Идштайн, ул. Блэк энд Деккер, 40, тел. +496126212790.

Уполномоченное изготовителем юр.лицо:

ООО "Стэнли Блэк энд Деккер", 117485, город Москва, улица Обручева, дом 30/1, строение 2
Телефон: + 7 (495) 258-3981, факс: + 7 (495) 258-3984, E-mail: inbox@dewalt.com
Сведения о импортере указаны в сопроводительной документации и/или на упаковке

Хранение.

Необходимо хранить в сухом месте, вдали от источников повышенных температур и воздействия солнечных лучей. При хранении необходимо избегать резкого перепада температур. Хранение без упаковки не допускается

Срок службы.

Срок службы изделия составляет 5 лет. Не рекомендуется к эксплуатации по истечении 5 лет хранения с даты изготовления без предварительной проверки.

Дата изготовления (код даты) указана на корпусе инструмента.

Код даты, который также включает год изготовления, отштампован на поверхности корпуса изделия.

Пример:

2014 46 XX, где 2014 –год изготовления, 46-неделя изготовления.

Определить месяц изготовления по указанной неделе изготовления можно согласно приведенной ниже таблице.

Транспортировка.

Категорически не допускается падение и любые механические воздействия на упаковку при транспортировке. При разгрузке/погрузке не допускается использование любого вида техники, работающей по принципу зажима упаковки.

Перечень критических отказов, возможные ошибочные действия персонала.

Не допускается эксплуатация изделия:

- При появлении дыма из корпуса изделия
- При поврежденном и/или оголенном сетевом кабеле
- при повреждении корпуса изделия, защитного кожуха, рукоятки
- при попадании жидкости в корпус
- при возникновении сильной вибрации
- при возникновении сильного искрения внутри корпуса

Критерии предельных состояний.

- При поврежденном и/или оголенном сетевом кабеле
- при повреждении корпуса изделия

Месяц	Январь	Февраль	Март	Апрель	Май	Июнь	Июль	Август	Сентябрь	Октябрь	Ноябрь	Декабрь	Год производства
Неделя	1	5	9	14	18	23	27	31	36	40	44	49	2018
	2	6	10	15	19	24	28	32	37	41	45	50	
	3	7	11	16	20	25	29	33	38	42	46	51	
	4	8	12	17	21	26	30	34	39	43	47	52	
			13		22			35			48		
Неделя	1	6	10	14	18	23	27	31	36	40	45	49	2019
	2	7	11	15	19	24	28	32	37	41	46	50	
	3	8	12	16	20	25	29	33	38	42	47	51	
	4	9	13	17	21	26	30	34	39	43	48	52	
	5				22			35		44			
Неделя	1	6	10	14	19	23	27	32	36	40	45	49	2020
	2	7	11	15	20	24	28	33	37	41	46	50	
	3	8	12	16	21	25	29	34	38	42	47	51	
	4	9	13	17	22	26	30	35	39	43	48	52	
	5			18			31			44			
Неделя	2	6	10	14	19	23	27	32	36	41	45	49	2021
	3	7	11	15	20	24	28	33	37	42	46	50	
	4	8	12	16	21	25	29	34	38	43	47	51	
	5	9	13	17	22	26	30	35	39	44	48	52	
				18			31		40			1	
Неделя	2	6	10	15	19	23	28	32	36	41	45	49	2022
	3	7	11	16	20	24	29	33	37	42	46	50	
	4	8	12	17	21	25	30	34	38	43	47	51	
	5	9	13	18	22	26	31	35	39	44	48	52	
			14			27			40			1	



ГАРАНТИЙНЫЙ ТАЛОН



1. Поздравляем Вас с покупкой высококачественного изделия DEWALT и выражаем признательность за Ваш выбор.
2. При покупке изделия требуйте проверки его комплектности и исправности в Вашем присутствии, инструкцию по эксплуатации и заполненный Гарантийный талон на русском языке. В гарантийном талоне должны быть внесены: модель, дата продажи, серийный номер, дата производства инструмента; название, печать и подпись торговой организации. При отсутствии у Вас правильно заполненного Гарантийного талона, а также несоответствия указанных в нем данных, мы будем вынуждены отклонить Ваши претензии по качеству данного изделия.
3. Во избежание недоразумений, убедительно просим Вас перед началом работы с изделием внимательно ознакомиться с инструкцией по его эксплуатации. Правовой основой настоящих гарантийных условий является действующее Законодательство. Гарантийный срок на данное изделие составляет 36 месяцев и исчисляется со дня продажи. В случае устранения недостатков изделия, гарантийный срок продлевается на период его нахождения в ремонте. Срок службы изделия составляет 5 лет со дня продажи.
4. В случае возникновения каких-либо проблем в процессе эксплуатации изделия рекомендуем Вам обращаться только в уполномоченные сервисные центры DEWALT, адреса и телефоны которых Вы сможете найти на сайте www.2helpU.com или узнать в магазине. Наши сервисные станции - это не только квалифицированный ремонт, но и широкий ассортимент запчастей и принадлежностей.
5. Производитель рекомендует проводить периодическую проверку и техническое обслуживание изделия в уполномоченных сервисных центрах.
6. Наши гарантийные обязательства распространяются только на неисправности, выявленные в течение гарантийного срока и вызванные дефектами производства и / или материалов.
7. Гарантийные условия не распространяются на неисправности изделия, возникшие в результате:
 - 7.1. Несоблюдения пользователем предписаний инструкции по эксплуатации изделия, применения изделия не по назначению, неправильном хранении, использовании принадлежностей, расходных материалов и запчастей, не предусмотренных производителем.
 - 7.2. Механического повреждения (сколы, трещины и разрушения) внутренних и внешних деталей изделия, основных и вспомогательных рукояток, сетевого электрического кабеля, вызванного внешним ударным или любым иным воздействием.
 - 7.3. Попадания в вентиляционные отверстия и проникновение внутрь изделия посторонних предметов, материалов или веществ, не являющихся отходами, сопровождающими применение изделия по назначению, такими как: стружка, опилки, песок, и пр.
 - 7.4. Воздействий на изделие неблагоприятных атмосферных и иных внешних факторов, таких как дождь, снег, повышенная влажность, нагрев, агрессивные среды, несоответствие параметров питающей электросети, указанных на инструменте.
 - 7.5. Стихийного бедствия. Повреждение или утрата изделия, связанное с непредвиденными бедствиями, стихийными явлениями, в том числе вследствие действия непреодолимой силы (пожар, молния, потоп и другие природные явления), а также вследствие перепадов напряжения в электросети и других причин, которые находятся вне контроля производителя.
8. Гарантийные условия не распространяются:
 - 8.1. На инструменты, подвергавшиеся вскрытию, ремонту или модификации вне уполномоченного сервисного центра.
 - 8.2. На детали и узлы, имеющие следы естественного износа, такие как: приводные ремни и колеса, угольные щетки, смазка, подшипники, зубчатое зацепление редукторов, резиновые уплотнения, сальники, направляющие ролики, муфты сцепления, бойки, толкатели, стволы, и т.п.
 - 8.3. На сменные и расходные части: цанги, зажимные гайки и фланцы, фильтры, ножи, шлифовальные подошвы, цепи, звездочки, пильные шины, защитные кожухи, пилки, абразивы, пильные и абразивные диски, фрезы, сверла, буры и т.п.
 - 8.4. На неисправности, возникшие в результате перегрузки инструмента (как механической, так и электрической), повлекшей выход из строя одновременно двух и более деталей и узлов, таких как ротора и статора, обеих обмоток статора, ведомой и ведущей шестерни редуктора или других узлов и деталей. К безусловным признакам перегрузки изделия относятся, помимо прочего: появление цветов побежалости, деформация или оплавление деталей и узлов изделия, потемнение или обугливание изоляции проводов электродвигателя под воздействием высокой температуры.

Товар получен в исправном состоянии, без видимых повреждений, в полной комплектации, проверен в моем присутствии, претензий по качеству товара не имею. С условиями гарантийного обслуживания ознакомлен и согласен.

Ф. И. О. и подпись покупателя _____

Уважаемые клиенты, наша сеть авторизованных сервисных центров постоянно расширяется. Актуальную информацию об обслуживании в интересующем вас городе вы можете узнать на сайте

www.2helpU.com

Информация об инструменте

Наименование инструмента	
Модель	
Наименование продавца	
Дата продажи	

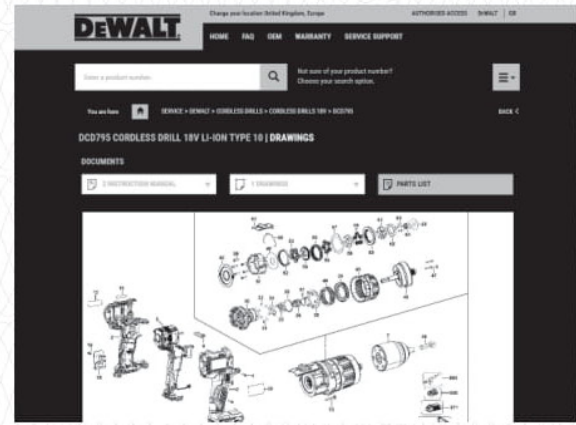
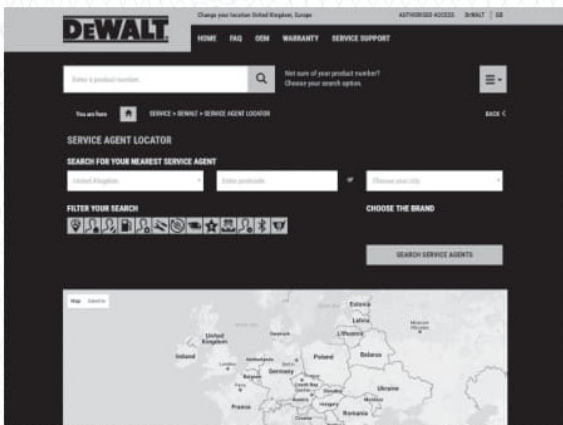
М.П.
Продавца

Серийный номер / Дата производства

Инструмент	
Зарядное устройство	
Аккумулятор 1	
Аккумулятор 2	

На сайте www.2helpU.com доступны следующие функции:

- Список авторизованных сервисных центров
- Удобный поиск ближайшего сервисного центра
- Руководство по эксплуатации
- Технические характеристики
- Список деталей и запасных частей
- Схема сборки инструмента



Также данную информацию вы можете получить, позвонив по телефону:

8(800) 1000 876

ОТМЕТКА О ПРОВЕДЕНИИ СЕРВИСНОГО ОБСЛУЖИВАНИЯ

№1	№2	№3	№4
№ заказа	№ заказа	№ заказа	№ заказа
Дата поступления	Дата поступления	Дата поступления	Дата поступления
Дата ремонта	Дата ремонта	Дата ремонта	Дата ремонта
Печать и подпись сервисного центра	Печать и подпись сервисного центра	Печать и подпись сервисного центра	Печать и подпись сервисного центра

ПЛИТКОРІЗ

D36000

Вітаємо вас!

Ви обрали інструмент виробництва компанії DEWALT. Ретельна розробка продукції, багаторічний досвід фірми у виробництві інструментів, різні вдосконалення, все це зробило інструменти DEWALT є одними із найнадійніших помічників для тих, хто використовує електричні інструменти у своїй професії.

Технічні дані

		D36000
Напруга	V змін. струму	230
Великобританія та Ірландія (GB/LX)	V змін. струму	230/115
Тип		1
Вхідна потужність (QS, GB, XE/LX)	Вт	1600/1500
Швидкість без навантаження	об/хв	4200
Діаметр ріжучого диска	мм	250
Отвір ріжучого диска	мм	25,4
Товщина ріжучого диска	мм	1,5
Тип ріжучого диска	прямий, без заглиблень (суцільний обід)	
Макс. периферійна швидкість ріжучого диска	об/хв	6000
Налаштування нахилу	°	22,5/45
Макс. здатність поздовжнього різання	мм	940
Розміри – без підставки – (Д x Ш x В)	мм	1600 x 1067 x 584
Розміри – з підставкою (підставка у найвищому положенні) – (Д x Ш x В)	мм	1600 x 1067 x 1397
Розміри – режим транспортування (пилка) – (Д x Ш x В)	мм	838 x 734 x 483
Розміри – режим транспортування (піддони для води) – (Д x Ш x В)	мм	896 x 762 x 165
Глибина різання під кутом 90°	мм	80
Номинальна вага (без ріжучого диска)	кг	45
Макс. допустима вага (з ріжучим диском та водою)	кг	64,5
Значення рівня шуму та вібрації (триаксальна векторна сума) відповідно до стандарту EN62841-1, EN12418		
L _{PA} (рівень тиску звукового випромінювання)	дБ(А)	91,8
L _{WA} (рівень акустичної потужності)	дБ(А)	101,5
K (похибка для даного рівня звукового тиску)	дБ(А)	2,5
Значення вібрації a _{HV} =		
Похибка K =	м/с ²	4,0
	м/с ²	0,5

Значення вібрації та/або шуму, наведене в цьому документі, було виміряне згідно зі стандартизованим тестом, викладеним в EN12418, та може використовуватися для порівняння інструментів. Це значення вібрації можна також використовувати для попередньої оцінки впливу вібрації.

УВАГА! Заявлене значення вібрації та/або шуму відповідає вимогам цільового використання інструмента. Однак якщо інструмент використовується для виконання інших завдань, з іншими витратними матеріалами/насадками або не обслуговується відповідно до вимог, значення вібрації може відрізнитися. Це може значно збільшити рівень впливу протягом усього періоду роботи.

Оцінка рівня впливу вібрації та/або шуму має враховувати час, протягом якого інструмент є вимкненим, а також час, протягом якого він є ввімкненим, але не використовується. Це може значно зменшити рівень впливу протягом усього періоду роботи.

Визначення додаткових заходів безпеки для захисту оператора від впливу вібрації: технічне обслуговування інструмента та приладдя, утримання рук у теплі, організація режиму роботи.

ПРИМІТКА. Даний інструмент призначений для підключення до системи подачі живлення з максимальним допустимим опором Z_{max} = 0,30 Ω в точці доступу користувача (блок живлення).

Користувач повинен переконатися, що цей пристрій підключений до системи живлення, яка задовольняє перераховані вище умови. При потребі у незалежній точці підключення користувач може звернутися до послуг компанії, що забезпечує комунальну систему енергоспоживання.

Декларація про відповідність ЄС

Директива для механічного обладнання



Плиткоріз D36000

DEWALT заявляє, що продукти, описані в розділі **Технічні дані**, відповідають наступним вимогам:

2006/42/EC, EN62841-1:2015 + AC:2015, EN ISO 12100:2010, EN12418:2000 + A1:2009.

Ці продукти також відповідають вимогам Директив 2014/30/EU та 2011/65/EU. Для отримання додаткової інформації звертайтеся до компанії DEWALT за зазначеною нижче адресою або на зворотному боці цього посібника.

Нижчепідписаний несе відповідальність за складення файлу технічних характеристик та робить цю заяву від імені компанії DEWALT.

Маркус Ромпель

Віце-президент з інженерно-технічного забезпечення, PTE-Europe

DEWALT, Richard-Klinger-Straße 11,

D-65510, Idstein, Німеччина

20.11.2020



ПОПЕРЕДЖЕННЯ: Уважно прочитайте керівництво з експлуатації для зниження ризику отримання травм.

Позначення: інструкції з техніки безпеки

Умовні позначення, наведені нижче, описують рівень важливості кожної попереджувальної вказівки. Прочитайте керівництво з експлуатації та зверніть увагу на символи, наведені нижче.



НЕБЕЗПЕЧНО: Указує на безпосередню загрозу, яка, якщо її не уникнути, призведе до смерті або серйозної травми.



ПОПЕРЕДЖЕННЯ: Вказує на потенційну загрозу, ігнорування якої може призвести до смерті або серйозної травми.



УВАГА: Вказує на потенційну загрозу, ігнорування якої може призвести до травми легкої або середньої тяжкості.

ПРИМІТКА: Вказує на ситуацію, не пов'язану з особистою травмою, ігнорування цієї ситуації може призвести до пошкодження майна.



Вказує на ризик ураження електричним струмом.



Вказує на ризик виникнення пожежі.

ЗАГАЛЬНІ ПРАВИЛА БЕЗПЕКИ ПРИ ЕКСПЛУАТАЦІЇ ЕЛЕКТРИЧНОГО ІНСТРУМЕНТА



ПОПЕРЕДЖЕННЯ: Ознайомтеся з усіма попередженнями, інструкціями з техніки безпеки, зображеннями та специфікаціями, які поставляються з даним електричним інструментом. Невиконання нижченаведених інструкцій може призвести до ураження електричним струмом, пожежі та/або серйозних тілесних ушкоджень.

ЗБЕРІГАЙТЕ ВСІ ПОПЕРЕДЖЕННЯ ТА ІНСТРУКЦІЇ ДЛЯ ПОДАЛЬШОГО ВИКОРИСТАННЯ

Термін «електричний інструмент» в усіх попередженнях стосується використовуваних вами інструментів, що живляться від мережі енергопостачання (з електричним кабелем) або від акумуляторів (без кабелю).

1) Безпека робочої зони

- Робоча зона завжди має бути чистою та добре освітленою. Захаращена або темна робоча зона призводить до нещасних випадків.
- Не використовуйте електричні інструменти у вибухонебезпечній атмосфері, наприклад поруч із вогнєнебезпечними рідинами, газами та пилом. Електричні інструменти створюють іскри, що можуть запалити пил або пару.
- Тримайте дітей та сторонніх подалі під час використання інструмента. Відвернення уваги може призвести до втрати контролю.

2) Електрична безпека

- Вилка електричного інструмента повинна відповідати розетці. Ніколи жодним чином не змінюйте вилку. Не використовуйте адаптери з замкнутими на землю (заземленими) електричними інструментами. Немодифіковані вилки та розетки, що підходять до них, зменшують ризик ураження електричним струмом.
- Уникайте контакту тіла з заземленими поверхнями, такими як труби, радіатори, плити та холодильники. Якщо ваше тіло заземлене, збільшується ризик ураження електричним струмом.

- c) **Не залишайте електричні інструменти під дощем або в умовах підвищеної вологості.** Вода, що потрапляє в електричний інструмент, підвищує ризик ураження електричним струмом.
- d) **Не використовуйте кабель живлення не за призначенням. Ніколи не переносіть, не тягніть та не відключайте електричний інструмент від розетки живлення за допомогою шнура. Тримайте шнур подалі від високх температур, мастила, гострих предметів та рухомих деталей.** Пошкоджені або перекручені шнури підвищують ризик ураження електричним струмом.
- e) **При використанні електричного інструмента на вулиці, використовуйте подовжувальний шнур, що підходить для використання на вулиці.** Використання шнура, що призначений для використання поза приміщенням, знижує ризик ураження електричним струмом.
- f) **Якщо неможливо уникнути використання електричного інструмента в умовах підвищеної вологості, використовуйте живлення, захищене пристроєм залишкового струму (RCD).** Використання RCD знижує ризик ураження електричним струмом.

3) Особиста безпека

- a) **Будьте в стані готовності, дивіться, що ви робите, та будьте розсудливі, працюючи з електричним інструментом. Не використовуйте електричний інструмент, коли ви втомлені або знаходитесь під впливом наркотичних речовин, алкоголю або ліків.** Втрата уваги під час роботи з електричним інструментами може призвести до серйозних травм.
- b) **Використовуйте особисті засоби безпеки. Завжди використовуйте засоби захисту очей.** Засоби безпеки, такі як протипилова маска, неслизькі безпечні черевики, захисний шолом та засоби захисту слухового апарату при використанні для відповідних умов зменшують імовірність особистих травм.
- c) **Уникайте випадкового запуску. Переконайтеся в тому, що вимикач знаходиться в позиції Вимк., перш ніж підключати інструмент до джерела живлення та/або акумулятора, переміщувати або переносити.** Може статися нещасний випадок, коли ви переносите інструмент, тримаючи палець на вимикачі, або підключаєте живлення до вимикача в позиції Увімк.
- d) **Зніміть усі ключі для регулювання або гайкові ключі, перш ніж вмикати електричний інструмент.** Гайковий ключ, що залишився прикріпленим до якоїсь деталі електричного пристрою, що обертається, може призвести до травм.
- e) **Не прикладайте надмірного зусилля. Завжди утримуйте правильну постановку ніг і рівновагу.** Це дає вам змогу краще контролювати інструмент в неочікуваних ситуаціях.
- f) **Одягайтеся відповідним чином. Не вдягайте вільний одяг або прикраси.** Тримайте ваше волосся та одяг подалі від рухомих деталей. Вільний одяг, прикраси або довге волосся можуть зачепитися за рухомі деталі.
- g) **Якщо передбачені пристрої для підключення до засобів виділення та збирання пилу, переконайтеся, що вони правильно підключені та використовуються.** Використання таких пристроїв зменшує ризик виникнення небезпечних ситуацій, що пов'язані з потраплянням пилу.
- h) **Навіть якщо ви добре знаєте інструмент та часто його використовуйте, не розслабляйтесь та не забувайте про принципи техніки безпеки.** Необережні дії можуть за долю секунди призвести до важких тілесних ушкоджень.

4) Використання електричного інструмента та догляд за ним

- a) **Не прикладайте надмірних зусиль під час роботи з інструментом. Використовуйте електричний інструмент, який відповідає завданню, що виконується.** Правильно обраний інструмент виконає завдання краще та безпечніше за умов, для яких він був розроблений.
- b) **Не використовуйте інструмент, якщо його неможливо ввімкнути та вимкнути за допомогою вимикача.** Будь-який електричний інструмент, яким неможливо керувати за допомогою вимикача, є небезпечним і має бути відремонтований.
- c) **Якщо вилка змінна, відключіть її від джерела живлення та/або вийміть акумулятор, перш ніж виконувати будь-які налаштування, змінювати додаткове обладнання або зберігати інструмент.** Ці профілактичні заходи зменшують ризик випадкового запуску електричного інструмента.
- d) **Зберігайте вимкнені електричні інструменти в недоступному для дітей місці та не дозволяйте особам, що не знайомі з електричним інструментом або цими інструкціями, використовувати електричний інструмент.** Електричні інструменти є небезпечними, якщо вони використовуються некваліфікованими користувачами.
- e) **Технічне обслуговування електричних інструментів та приладдя. Перевіряйте неспіввідповідність, заїдання рухомих деталей, наявність пошкоджених частин та інших факторів, які можуть впливати на роботу електричного інструмента. Якщо є пошкодження, відремонтуйте електричний інструмент перед використанням.** Нещасні випадки часто є результатом того, що інструмент не пройшов відповідного технічного обслуговування.
- f) **Різальні інструменти мають бути гострими та чистими.** Правильно доглянуті різальні інструменти з гострими різальними кромками мають меншу імовірність заїдання, та ними легше керувати.
- g) **Використовуйте електричний інструмент, додаткові інструменти та деталі інструменту тощо у відповідності до цих інструкцій та відповідно до даного типу електричних інструментів, зважаючи на умови використання та роботу, яка має бути виконана.** Використання

електричних інструментів не за призначенням може призвести до виникнення небезпечних ситуацій.

- h) **Всі ручки та поверхні для тримання інструмента мають бути сухими, без залишків мастила.** Слизькі ручки та поверхні для тримання не дозволяють безпечно працювати та контролювати інструмент у неочікуваних ситуаціях.

5) Обслуговування

- a) **Надавайте ваш електричний інструмент для обслуговування кваліфікованим спеціалістом з ремонту та використовуйте тільки ідентичні замініні деталі.** Це забезпечить безпеку електричного пристрою.

Додаткові правила безпеки при роботі з плиткорізами

УВАГА! Не підключайте пристрій до мережі живлення, поки не прочитаєте та не засвоїте інструкції в повному обсязі.

- **НЕ ЕКСПЛУАТУЙТЕ ЦЮ МАШИНУ, ПОКИ ВОНА НЕ БУДЕ ПОВНІСТЮ ЗІБРАНА ТА ВСТАНОВЛЕНА ВІДПОВІДНО ДО ІНСТРУКЦІЙ.** Невірно зібрана машина може призвести до серйозних травм.
- **НЕ ВИКОРИСТОВУЙТЕ ЦЮ МАШИНУ, ЯКЩО КОЖУХ РІЖУЧОГО ДИСКА ВСТАНОВЛЕНИЙ НЕПРАВИЛЬНО АБО НЕСПРАВНИЙ.**
- **ЗАТЯГНІТЬ УСІ ЗАТИСКНІ РУКОЯТКИ, РУЧКИ ТА ВАЖЕЛІ ПЕРЕД ПОЧАТКОМ РОБОТИ.** Вільні затискачі можуть спричинити викидання деталей або заготовок на високій швидкості.
- **ОТРИМАЙТЕ ПОРАДУ ВІД СВОГО КЕРІВНИКА, ІНСТРУКТОРА АБО ІНШОЇ КВАЛІФІКОВАНОЇ ОСОБИ, ЯКЩО ВИ НЕ ДОСКОНАЛО ЗНАЙОМІ З ЕКСПЛУАТАЦІЄЮ МАШИНИ.** Знання – це безпека.
- **ПЕРЕКОНАЙТЕСЬ, ЩО ПИЛЬНИЙ ДИСК ОБЕРТАЄТЬСЯ У ПОТРІБНОМУ НАПРЯМКУ.** Див. маркування на кожусі
- **ПЕРЕКОНАЙТЕСЬ, ЩО ВСІ ДИСКИ ТА ЗАТИСКАЧІ ДИСКІВ ЧИСТІ, ЗАГЛИБЛЕНІ СТОРОНИ ЗАТИСКАЧІВ ДИСКІВ ЗНАХОДЯТЬСЯ НА ДИСКАХ, А ГВИНТ ВАЛУ НАДІЙНО ЗАТЯГНУТИЙ.** Вільне або неправильне затискання диска може призвести до пошкодження пилки та травм.
- **НЕ ВИКОРИСТОВУЙТЕ ІНШОГО НАПРУЖЕННЯ, КРИМ ПОЗНАЧЕНОГО ДЛЯ ПИЛКИ.** Це може призвести до перегрівання, ушкодження інструменту та травм.
- **НІКОЛИ НІЧОГО НЕ ВСТАВЛЯЙТЕ МІЖ ЛОПАТКАМИ ВЕНТИЛЯТОРА, ЩОБ ЗУПИНИТИ ВАЛ ДВИГУНА.** Це може призвести до ушкодження інструмента та травм.
- **НІКОЛИ НЕ РОЗРІЗУЙТЕ МЕТАЛИ.** Це може призвести до зіттаня з диска твердосплавних кінчиків на великій швидкості, спричиняючи серйозні травми.
- **НІКОЛИ НЕ РОЗТАШОВУЙТЕ БУДЬ-ЯКІ ЧАСТИНИ СВОГО ТІЛА НА ШЛЯХУ ДИСКА ПЛИТКОРІЗА.** Це приведе до травм.
- **НЕ ТРИМАЙТЕ РУКИ НА ШЛЯХУ ПИЛЬНОГО ДИСКУ, КОЛИ ПИЛКА ПІДКЛЮЧЕНА ДО ЕЛЕКТРИЧНОЇ МЕРЕЖІ.** Ненавмисне ввімкнення диска може призвести до серйозних травм.
- **НІКОЛИ НЕ ТЯГНІТЬСЯ ПОБЛИЗУ АБО ПОЗАДУ ПИЛЬНОГО ДИСКА ПЛИТКОРІЗА.** Диск може спричинити серйозні травми.
- **ЗАКРІПІТЬ МАШИНУ НА СТІЙКІЙ ОПОРНІЙ ПОВЕРХНІ.** Вібрація може призвести до ковзання, переміщення або перекидання машини, що може спричинити серйозні травми.
- **ВИКОРИСТОВУЙТЕ ДИСКИ ТІЛЬКИ ПРАВИЛЬНОГО РОЗМІРУ ТА ТИПУ, ЩО ВИЗНАЧЕНІ ДЛЯ ЦЬОГО ІНСТРУМЕНТУ, ЩОБ ЗАПОБІГТИ ПОШКОДЖЕННЮ МАШИНИ ТА/АБО СЕРЬОЗНИМ ТРАВМАМ.**
- **МАКСИМАЛЬНА ШВИДКІСТЬ ПИЛЬНОГО ДИСКА ПЛИТКОРІЗА ЗАВЖДИ ПОВИННА ПЕРЕВИЩУВАТИ АБО, ПРИНАЙМНІ, ДОРІВНЮВАТИ ШВИДКОСТІ, ВКАЗАНІЙ НА ПАСПОРТНІЙ ТАБЛИЧЦІ ІНСТРУМЕНТА.**
- **ДІАМЕТР ПИЛЬНОГО ДИСКА ПЛИТКОРІЗА ПОВИНЕН ВІДПОВІДАТИ МАРКУВАННЮ НА ПАСПОРТНІЙ ТАБЛИЧЦІ ІНСТРУМЕНТА.**
- **ПЕРЕВІРЬТЕ ДИСК НА ПРЕДМЕТ ТРИЩИН АБО ІНШИХ ПОШКОДЖЕНЬ ПЕРЕД ПОЧАТКОМ РОБОТИ.** Потрісканий або пошкоджений диск може розпастися, а шматки відлетіти на великій швидкості, спричинивши серйозні травми. негайно замінійте потрисканий або пошкоджений диск. Дотримуйтесь максимальної швидкості, відміченої на диску пилки плиткоріза.
- **НЕ ВИКОРИСТОВУЙТЕ ВИКРИВЛЕНІ ДИСКИ.** Перевірте, чи обертається диск без биття і чи немає вібрації. Диск, що вібрує, може призвести до пошкодження машини та/або серйозних травм.
- **ТРИМАЙТЕ КОЖУХ НА МІСЦІ ТА В СПРАВНОМУ СТАНІ.** Не використовуйте цю машину без встановлених захисних кожухів
- **ЩОБ ЗАПОБІГТИ ПОШКОДЖЕННЮ МАШИНИ ТА/АБО СЕРЬОЗНИМ ТРАВМАМ, ВИКОРИСТОВУЙТЕ ТІЛЬКИ ТІ ЗАТИСКАЧІ ДИСКА, ЩО ЗАЗНАЧЕНІ ДЛЯ ЦЬОГО ІНСТРУМЕНТУ.**
- **ОБОВ'ЯЗКОВО ВИКОРИСТОВУЙТЕ ПРАВИЛЬНИЙ ДИСК ПЛИТКОРІЗА ДЛЯ РІЗАННЯ МАТЕРІАЛУ.**
- **ОЧИЩУЙТЕ ПОВІТРЯНІ ЗАЗОРИ ДВИГУНА ВІД СТРУЖКИ ТА ТИРСИ.** Забиті повітряні зазори двигуна можуть призвести до перегрівання або пошкодження машини та спричинити серйозних травм.
- **НІКОЛИ НЕ СТАВЛЯЙТЕ НА ІНСТРУМЕНТ.** У разі перекидання або ненавмисного дотику до ріжучого інструменту можливі важкі травми.
- **НІКОЛИ НЕ РІЖТЕ ЗАГОТОВКИ, ДЛЯ ЯКИХ НЕОБХІДНО РУЧНЕ ВТРУЧАННЯ, БЛИЖЧЕ 15 СМ ВІД РІЖУЧОГО ДИСКА, ЩО ОБЕРТАЄТЬСЯ.**
- **НЕ ВИКОНУЙТЕ ЖОДНИХ ОПЕРАЦІЙ «ВІЛЬНОЮ РУКОЮ».** Міцно притисніть заготовку до огорожі та напрямної.

- **ПЕРЕД ПЕРЕМІЩЕННЯМ ЗАГОТОВКИ АБО ЗМІНОЮ НАЛАШТУВАНЬ ВИМКНІТЬ ІНСТРУМЕНТ ТА ДОЧЕКАЙТЕСЯ ЗУПИНКИ РІЖУЧОГО ДИСКА.** *Небезпечно доторкатися рукою до диска, який рухається за інерцією*
- **НІКОЛИ НЕ ВИКОНУЙТЕ РОБОТИ З ОЧИЩЕННЯ РОБОЧИХ ЧАСТИН АБО З ОБСЛУГОВУВАННЯ** на пристрої, що працює, і коли пильна голівка знаходиться в робочому стані. *Небезпечно доторкатися рукою до диска, який обертається за інерцією*
- **НЕ РІЖТЕ ЗАГОТОВКИ, ДЛЯ ЯКИХ МАКСИМАЛЬНА ГЛИБИНА РІЗАННЯ ПЕРЕВИЩУЄ ГЛИБИНУ РІЖУЧОГО ДИСКА.**
- **НЕ ВИКОНУЙТЕ СУХІ РОЗРІЗИ.** *Сухе різання не тільки призводить до пошкодження машини, але також збільшує вплив шкідливого пилу, що потрапляє в повітря.*
- **НЕ ВИКОРИСТОВУЙТЕ РІЖУЧІ ДИСКИ ДЛЯ БОКОВОГО ШЛІФУВАННЯ.** *Це може призвести до злітання з диска твердосплавних кінчиків на великій швидкості, спричиняючи серйозні травми.*
- **ЗАВЖДИ ЗБЕРІГАЙТЕ ПЛИТКОРІЗ В ДОБРЕ ЗАХИЩЕНОМУ, СУХОМУ І НЕДОСТУПНОМУ ДЛЯ ДІТЕЙ МІСЦІ.** *Щоб запобігти пошкодженню машини та ненавмисному використанню.*
- **НЕ ВИКОНУЙТЕ КОРИГУВАННЯ АБО ЗАМІНУ ДЕТАЛЕЙ, ЩОБ ЗМІНИТИ ЗАВОДСЬКІ НАЛАШТУВАННЯ.** *Технічні зміни має проводити лише виробник відповідно до застосованих вимог.*
- **НОСІТЬ РУКАВИЧКИ ПІД ЧАС ВИКОРИСТАННЯ ПЛИТКОРІЗА.** *У розпалених заготовок можуть бути гострі краї.*

- ⚡ **УВАГА!** *Подбайте про те, щоб з'єднання були сухими, перш ніж активувати ланцюг і підключити машину.*
 - *Не допускайте потрапляння води на електричні частини інструменту і людей, що знаходяться в робочій зоні.*
 - *Заміну шнура живлення завжди має проводити виробник або спеціаліст його сервісного центру.*
- ⚡ **УВАГА!** *Після відновлення напруги встановіть вимикач у положення Вимк. перед натисканням кнопки RESET на портативному пристрої захисного відключення (PRCD).*
 - *Переконайтеся, що ваша установка забезпечена відповідним вирізом з характеристики «В» відповідно до HD384.*

Залишкові ризики

Дотримання всіх правил техніки безпеки та застосування пристроїв безпеки не гарантує уникнення певних залишкових ризиків. До такого переліку належать:

- Ризики, які можуть залишитися при використанні цих машин:
 - травми через контакт з деталями, що обертаються,
 - травми, викликані порушенням роботи ріжучого диска.

Ці ризики найбільш очевидні:

- в межах робочого діапазону
- в межах діапазону деталей машини, що обертаються

Дотримання всіх правил техніки безпеки та застосування пристроїв безпеки не гарантує уникнення певних залишкових ризиків. До такого переліку належать:

- Порушення слуху.
- Ризик нещасного випадку, викликаний незакритими деталями ріжучого диска, що обертається.
- Ризик травми при заміні ріжучого диска.
- Ризик затиснення пальців при відкритті захисних кожухів.

Електрична безпека

Електричний двигун розроблений для роботи лише з одним значенням напруги. Завжди перевіряйте відповідність джерела живлення напрузі, яка вказана на таблиці з паспортними даними.

 Ваш DEWALT зарядний пристрій має подвійну ізоляцію відповідно до EN100 тому заземлення не є необхідним.

Якщо кабель живлення пошкоджений, тільки компанія DEWALT або уповноважена сервісна організація може виконувати його заміну.

Використання електричного подовжувача

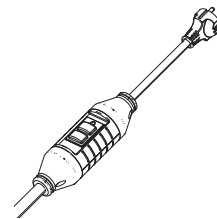
Якщо необхідний подовжувач, використовуйте рекомендований 3-жильний подовжуючий шнур, що підходить для споживаної потужності інструменту (див. **Технічні дані**). Мінімальний розмір провідника становить 1,5 мм²; максимальна довжина — 30 м.

При використанні кабельного барабану завжди витягуйте весь кабель.

Портативний пристрій захисного відключення

Машина оснащена портативним пристроєм захисного відключення (PRCD), який захищає користувача від ураження електричним струмом, перериваючи ланцюг при виявленні струму витоку 10 мА і більше.

- ⚡ **УВАГА!** *Ніколи не використовуйте пристрій без встановленого PRCD. Не використовуйте машину, якщо PRCD не функціонує належним чином. Для роботи PRCD машина має бути підключена до заземленої розетки. Перед використанням плиткорізу перевірте функцію PRCD, натиснувши кнопку TEST.*



Комплект поставки

До комплекту входить:

- 1 Вузол важеля двигуна
- 1 Пильна рама в зборі
- 1 Водний резервуар
- 1 Водний насос
- 1 Ріжучий диск
- 1 Ріжучий візок
- 1 Висувний стіл
- 1 Крайня напрямна
- 2 Невеликих кріплення для води ззаду
- 2 Кріплення для води ріжучого візка
- 1 Бризговик
- 6 Шестигранні гвинти
- 1 Шестигранний ключ.
- 1 Ключ ріжучого диска
- 1 Посібник з експлуатації

- *Перевірте інструмент, деталі та приладдя на пошкодження, що могли виникнути під час транспортування.*
- *Перед використанням уважно прочитайте та повністю зрозумійте це керівництво.*

Написи на інструменті

На інструменті є наступні позначки:



Прочитайте інструкції цього посібника перед використанням.



Не використовуйте ріжучі диски із заглибленнями.



Носіть захисні окуляри.



Під час роботи завжди одягайте робочі рукавиці.



Завжди використовуйте засоби захисту органів слуху.



УВАГА! Гострі краї.



Вимикач: положення I (увімк.) та 0 (вимк.).



Точка перенесення



Не ставте руки в цій зоні.



Мінімальна глибина розрізу

Розташування коду дати (Рис. [Fig.] A)

Код дати **22**, що включає також рік виробництва, зазначений на корпусі.

Приклад:

2020 XX XX
Рік виробництва

Опис (рис. А)

⚠ УВАГА! Ніколи не модифікуйте електричні інструменти та їхні деталі. Це може призвести до пошкодження майна або тілесних ушкоджень.

- | | |
|-------------------------------------|---|
| 1 Вимикач | 12 Невелике кріплення для води ріжучого візка |
| 2 Вузол важеля двигуна | 13 Велике кріплення для води ріжучого візка |
| 3 Ручка занурення | 14 Висувний стіл |
| 4 Ручка фіксації голівки | 15 Водний резервуар |
| 5 Кришка ріжучого диска | 16 Пильна рама в зборі |
| 6 Ріжучий диск | 17 Водяні сопла |
| 7 Гумовий кожух | 18 Упор ріжучого візка |
| 8 Невелике кріплення для води ззаду | 19 Напрямна для підрізання краю газону. |
| 9 Велике кріплення для води ззаду | 20 Гвинт кришки різального диска |
| 10 Бризговик | 21 Місце зберігання аксесуарів |
| 11 Ріжучий візок в зборі | |

Сфера застосування

Ваш плиткоріз D36000 розроблений для професійного вологого розпилювання плитки. За допомогою відповідного алмазного диска діаметром 250 мм можна різати бетон, цеглу, фарфор та керамічні матеріали. Забезпечуючи оптимальну універсальність, машина виконує операції прямого різання (поздовжнього), різання по діагоналі, врізання та розрізання під кутом легко, точно та безпечно.

Дану машину не можна використовувати для будь-яких інших операцій, крім зазначених в цьому посібнику.

НЕ використовуйте за умов підвищеної вологості або в присутності легкозаймистих рідин та газів.

НЕ дозволяйте дітям підходити на небезпечну відстань та торкатися інструмента.

Використання інструмента недосвідченими операторами потребує нагляду.

- **Діти та хворі люди.** Цей пристрій не призначений для використання дітьми та особами з обмеженими фізичними або розумовими можливостями без нагляду.
- Цей пристрій не призначений для використання особами (включаючи дітей) із зниженими фізичними, сенсорними або розумовими можливостями або особами, яким бракує досвіду або знань за винятком випадків, коли такі особи працюють під наглядом особи, яка несе відповідальність за їх безпеку. Не можна залишати дітей наодинці з цим приладом.

МОНТАЖ ТА НАЛАШТУВАННЯ

⚠ ПОПЕРЕДЖЕННЯ: Щоб знизити ризик серйозних тілесних ушкоджень, вимкніть інструмент та відключіть акумулятор перед виконанням будь-яких налаштувань або змінами/встановленням додаткового обладнання або приладдя. Випадковий запуск може призвести до травм.

⚠ ПОПЕРЕДЖЕННЯ: Використовуйте тільки DEWALT акумулятори та зарядні пристрої.

МОНТАЖ

⚠ Застереження. Перед монтажем завжди відключайте інструмент від мережі.

⚠ Застереження. При монтажі машини завжди дотримуйтесь інструкцій у порядку, описаному нижче.

Розпакування машини та її деталей

⚠ Застереження. Для перенесення машини завжди звертайтеся за допомогою. Машина дуже важка для однієї людини.

1. Вийміть сипучий пакувальний матеріал з коробки.
2. Вийміть деталі машини з коробки.
3. Видаліть залишки пакувального матеріалу з деталей машини.

Зберігання гайкового ключа (Рис. А, В)

У комплект постачання вашої пилки для вологої плитки входять два ручних інструменти, які вам знадобляться для збірки. Шестигранний ключ **24** і ключ для ріжучого диска **25** зберігаються в задній частині вузла важеля двигуна **2**.

Вузол важеля двигуна (Рис. А, С, D)

1. Помістіть водний резервуар **15** на рівну стійку поверхню або на підставку.
2. Помістіть пильну раму в зборі **16** у водний резервуар **15**.
ПРИМІТКА. Переконайтеся, що передня частина пильної рами в зборі розташована під кронштейном водного резервуара **62**, щоб забезпечити надійне прилягання (Рис. С).
3. За допомогою шестигранного ключа **24** з комплекту постачання викрутіть гвинти **23** з пильної рами в зборі.
4. Помістіть вузол важеля двигуна **2** пильну раму в зборі (Рис. D).
5. Закріпіть ріжучу головку, встановивши два гвинти **23** у отвори, найближчі до рейки. Затягніть гвинти за допомогою шестигранного ключа з комплекту постачання. Встановіть інші чотири гвинти в інші чотири отвори і затягніть їх.

Встановлення ріжучого візка в зборі на пильну раму в зборі (Рис. Е, F, T)

1. Поверніть ручку упора ріжучого візка **18** у положення розблокування (див. *Ручку упора ріжучого візка*) і зсуньте ріжучий візок на рейки.
2. Зіставте стрілку на задній стороні ріжучого візка **11** зі стрілкою на рейці на лівій стороні пильної рами в зборі **16**.
3. Зсуньте ріжучий візок в зборі на рейкову систему, звільняючи ручку упору ріжучого візка **18** за допомогою роликів.
4. Поверніть ручку упора ріжучого візка в перше або друге положення, щоб тримати ріжучий візок на рейках під час використання. Опис положень див. у розділі *Ручка упору ріжучого візка*.

Встановлення висувного стола (Рис. G)

1. Тримайте висувний стіл **14** перед правою стороною ріжучого візка в зборі **11**.
2. Зіставте контрольні штифти **30** подовжувача з отворами **31** у розсувному візку.
3. Розмістіть подовжувач навпроти розсувного столу.
4. Затягніть ручку фіксації **29**.

Збірка водяного насоса і водяного приладдя (Рис. А, Н, I)

⚠ УВАГА! До встановлення водяного насоса в резервуар перевірте, чи не пошкоджено шнур живлення.

1. Встановіть різьбовий фітінг **26** на водяний насос **27**. Прикріпіть трубку для чистої води **28** на різьбовий фітінг (Рис. H).
ПРИМІТКА: Ідеальне положення для водяного насоса – в лівому передньому кутку водяного резервуара, поруч зі зливною пробкою.
2. Вставте шнур живлення насоса в розетку **29** (Рис. I).
3. Наповніть резервуар 19 літрами чистої води. Насос повинен бути занурений у воду.
ПРИМІТКА. Для збільшення терміну служби насоса завжди розміщуйте його в джерелі чистої води.
ПРИМІТКА. Край водяного резервуара – це максимальна лінія наповнення **60**. НЕ заповнюйте водний резервуар вище лінії максимального заповнення водою.
4. При необхідності встановіть невелике кріплення для води ззаду **8**, велике кріплення для води ззаду **9** та бризговик **10**.
5. При необхідності встановіть невелике кріплення для води ріжучого візка **12** і велике кріплення для води ріжучого візка **13**.

Встановлення ріжучого диска (Рис. J, M)

При встановленні ріжучого диска зверніть увагу на те, що напрямок різання (напрямок стрілки на ріжучому диску) відповідає напрямку стрілки на захисному кожусі диска! Максимальний діаметр ріжучого диска, який можна встановити, становить 254 мм.

1. Послабте (не знімайте) гвинт кришки ріжучого диска **20** збоку кришки ріжучого диска **5**. Відтягніть гумову бокову заслінку назад і підніміть кришку до задньої частини пилки.
2. Натисніть кнопку блокування шпінделя **35**. Зніміть гайку ріжучого диска **33** за допомогою гайкового ключа **25** з комплекту постачання. Зніміть зовнішній фланець **33**.

⚠ Застереження. Щоб заблокувати обертання шпінделя, натисніть на кнопку, як показано, і повертайте шпіндель рукою, доки не відчуєте зачеплення. Продовжуйте утримувати кнопку блокування, доки необхідно заблокувати обертання шпінделя.

3. Встановіть ріжучий диск **6** на внутрішній фланець **34** зі стрілкою, що вказує напрямок обертання так само, як стрілка на кришці ріжучого диска. Натисніть кнопку фіксації шпінделя **35** при затягуванні гайки ріжучого диска.
4. Встановіть кришку та затягніть гвинт кришки ріжучого диска **20**.
5. Відрегулюйте глибину ріжучого диска (див. *Перевірка та регулювання глибини різання*).

⚠ Застереження. Ніколи не натискайте фіксатор шпінделя під час обертання ріжучого диска.

⚠ УВАГА! Щоб уникнути ризику травмування перевірте правильність встановлення захисного кожуха.

Підключення машини до мережі живлення (Рис. А)

1. Переконайтеся, що перемикач **1** знаходиться у положенні Вимк.
2. Підключіть мережний кабель до електромережі.
3. Натисніть кнопку скидання PRCD на шнури живлення, а потім переведіть перемикач у положення Увімк., якщо машина не запускається.
4. Встановіть конденсатну пастку в шнур, що з'єднує машину з мережею, щоб запобігти потраплянню води на вилку. Конденсатна пастка – це частина шнура нижче рівня розетки.

Перевірка та регулювання глибини різання (Рис. А, L)

Обід ріжучого диска має завжди знаходитися на відстані не менше 5 мм від поверхні столу.

1. Послабте ручку регулювання глибини **44**.
2. Опустіть важіль, щоб привести ріжучий диск в найнижче положення.
3. Затягніть ручку регулювання глибини.
4. Зробіть сухий прогін, повністю проштовхнувши стіл через ріжучий диск.

Переконайтеся, що ріжучий диск не потрапляє в ріжучий візок.

5. Якщо необхідне налаштування, виконайте наступне:
 - a. Послабте ручку фіксації голівки **4**.
 - b. Відрегулюйте ручку регулювання глибини **44** так, щоб ріжучий диск знаходився мінімум на 5 мм нижче поверхні ріжучого візка.
 - c. При вимкненому пристрої просуньте ріжучий візок повз ріжучий диск і переконайтеся, що ріжучий диск не торкається ріжучого візка.
 - d. Відрегулюйте ручку регулювання глибини і затягніть стопорну смушкову гайку **54**, а потім ручку фіксації голівки **4**.

РЕГУЛЮВАННЯ

⚠ Застереження. Перед налаштуванням завжди відключайте інструмент від мережі.

⚠ УВАГА! Щоб зменшити ризик отримання травм, перед початком роботи з пилкою завжди перевіряйте, щоб пильний диск був відрегульований на правильну висоту і розташований в центрі канавки візка.

Переконайтеся, що переміщення поперечного розрізу перпендикулярне до огорожі (Рис. N, O)

1. Опустіть важіль, щоб привести ріжучий диск в найнижче положення.
2. Посуньте ріжучий візок так, щоб він знаходився спереду ріжучого диска.
3. Встановіть косинець **43** (не входить до комплекту постачання інструменту) на ріжучий візок і огорожу та просто доторкніться до ріжучого диска, як показано на рисунку.
4. Простовхніть ріжучий візок через ріжучий диск, щоб впевнитися, що ріжучий диск проходить паралельно косинцю.
5. Якщо необхідне налаштування, виконайте наступне:
 - a. Відкрутіть гвинти **51**, що кріплять вузол рейки до рами.
 - b. Перемістіть рейку вручну.
 - c. Встановивши косинець на огорожу, ще раз перевірте, що ріжучий диск проходить паралельно косинцю, і при необхідності відрегулюйте його.
 - d. Затягніть гвинти **51**.

Переконайтеся, що ріжучий диск перпендикулярний до столу (Рис. K–M)

1. Послабте ручку регулювання кута нахилу **45**.
2. Натисніть на головку пилки праворуч, щоб переконаватися, що вона повністю вертикальна, і затягніть ручку регулювання кута нахилу.
3. Опустіть важіль, щоб привести ріжучий диск в найнижче положення.
4. Посуньте ріжучий візок так, щоб він знаходився під ріжучим диском.
5. Прикладіть косинець **43** до ріжучого візка і до ріжучого диска, як показано на рисунку.
6. Якщо необхідне налаштування, виконайте наступне:
 - a. Послабте ручку регулювання кута нахилу **45** і поверніть вертикальний стопорний гвинт **49** всередину або назовні так, щоб ріжучий диск знаходився під кутом 90° до ріжучого візка відповідно до вимірів з косинцем.
 - b. Якщо стрілка нахилу **46** не вказує на нуль на шкалі нахилу **48**, відпустіть гвинт **47**, який фіксує стрілку та пересуньте стрілку, наскільки це необхідно.

Перевірка та регулювання кута нахилу (Рис. K, L)

1. Послабте ручку регулювання кута нахилу **41** і нахиліть ріжучу голівку вліво. Це положення нахилу – 45°.
2. Якщо необхідне налаштування, виконайте наступне:
 - a. При необхідності вкрутіть або викрутіть стопорний гвинт **50** так, щоб покажчик **46** вказував на 45°.

Вирізання прорізу (Рис. P)

Індикатор ширини прорізу **56** допомагає визначити траєкторію руху ріжучого диска.

1. Увімкніть пристрій і почекайте, поки ріжучий диск виїде на повну швидкість.
2. Просуньте ріжучий візок повністю через ріжучий диск, щоб прорізати проріз в коліщатку **56**.
3. **Переконайтеся, що ріжучий диск не потрапляє в ріжучий візок.**
4. Вимкніть машину.
5. Якщо проріз зношений, можна створити новий проріз.
 - a. Послабте стопорний гвинт **57**.
 - b. Поверніть коліщатко, щоб відкрити необрізану поверхню.
 - c. Затягніть стопорний гвинт.
 - d. Виріжте новий проріз, дотримуючись інструкцій, як описано вище.

Фіксація ріжучого візка (Рис. Q)

Ріжучий візок можна зафіксувати в наступних положеннях:

- Переднє положення (вільний доступ до ріжучого диска) **40**.
- Поглиблене положення (ріжучий диск над серединою ріжучого візка) **41**.
- Положення виходу (ріжучий диск біля огорожі) **42**.

1. Перемістіть ріжучий візок **11** у потрібне положення.
2. Зафіксуйте ріжучий візок, повернувши штифтовий замок **39** і вставивши його в отвір в рейці.

Регулювання водяних сопел (Рис. R1–R3)

Водні сопла **17** регулюються таким чином, щоб забезпечити максимальну кількість води для різання і максимальну продуктивність різання при мінімальній кількості бризок і туману. Важіль регулювання **36** дозволяє легко переводити сопла в бажане положення.

- Оптимальне положення для мінімального розпилення (Рис. R1).
- Водяні сопла **17** можна повністю витягнути, щоб забезпечити максимальну потужність різання (Рис. R2).
- Положення «Вимкнений ріжучий диск» для усунення розпилення води між різаними та для заміни ріжучого диска (Рис. R3).

ІНСТРУКЦІЯ З ВИКОРИСТАННЯ

Переконайтеся, що інструмент встановлений за ергономічних умов з точки зору висоти столу та стійкості. Місце розташування пристрою повинно бути таким, щоб оператор мав добрий огляд та достатньо вільного місця навколо пристрою, щоб можна було працювати без обмежень.

Щоб зменшити вплив вібрації переконайтеся, що температура навколишнього середовища не є занадто низькою, пристрій та аксесуари в доброму стані, а розмір заготовки підходить для обробки даним пристроєм.

⚠ Застереження.

- Завжди дотримуйтесь усіх інструкцій з техніки безпеки та відповідних норм.
- Переконайтеся, що машина надійно встановлена.
- Переконайтеся, що заготовка надійно закріплена.
- Перед увімкненням машини переконайтеся, що ріжучий диск не стикається із заготовкою.
- Не починайте роботу, доки двигун не набере обертів.
- Застосовуйте лише м'який тиск на машину. Не використовуйте надмірні зусилля при різанні.
- Тримайте руки на відстані від ріжучого диска. Не розміщуйте руки в межах визначеної зони на вузлі ріжучого візка.

Перед експлуатацією

- Встановіть плиткорез на горизонтальну, стійку, неслизьку поверхню.
- Встановіть відповідний ріжучий диск.
- Переконайтеся, що всі поворотні рукоятки та фіксатори затягнені.
- Заповніть резервуар водою в кількості, достатній для повного занурення водного насоса.
- Використовуйте лише чисту воду. Не слід використовувати будь-яку іншу рідину.

МАКСИМАЛЬНІ РОЗМІРИ ПЛИТКИ

Тип матеріалу	Розмір (до)	Макс. вага	Виріз	Позиція ручки упору ріжучого візка
Плитка	60 см x 60 см x 1,0 см	9 кг	Поздовжній або поперечний розріз	2
Плитка	90 см x 90 см x 1,0 см	20 кг	Поздовжній або поперечний розріз	1
Плитка	94 см x 20 см x 1,0 см	4,5 кг	Поздовжній розріз	1
Плитка	94 см x 20 см x 1,0 см	4,5 кг	Поперечний розріз	2
Бруківка	30,5 см x 30,5 см x 5,0 см	11,7 кг	Поздовжній або поперечний розріз	2
Цегла	21,5 см x 10,2 см x 6,5 см	3,1 кг	Поздовжній або поперечний розріз	2

Увімкнення та вимкнення (Рис. P)

- Щоб увімкнути машину, встановіть перемикач **1** у положення I.
- Щоб вимкнути машину, встановіть перемикач **1** у положення O.

До мережевого кабелю підключений портативний пристрій захисного відключення (PRCD), що містить вимикач захист від зниження напруги і захист від перевантаження двигуна з ручним скиданням. У разі відключення живлення поступайте наступним чином:

- Переконайтеся, що перемикач знаходиться у положенні Вимк.
- Натисніть кнопку скидання на PRCD.

Блокування перемикача

- Щоб уникнути несанкціонованого використання машини, зафіксуйте перемикач за допомогою навісного замка.

Ручка упору ріжучого візка (Рис. А, Т)

Ручка упору ріжучого візка **18** дозволяє користувачеві кожного разу повертати ріжучий візок в зборі **11** до тієї самої точки. Щоб встановити позицію, **ПІДНІМІТЬ І ПОВЕРНІТЬ** ручку упору ріжучого візка та посуňte ріжучий візок назад до упору. Його можна встановити в три різні позиції залежно від уподобань користувачів.

- **А:** Позиція розблокування: Зніміть та встановіть ріжучий візок
- **В:** Позиція 1: Здатність різання 90 см. Ріжучий візок простягається повз раму.
- **С:** Позиція 2: Здатність різання 45 см. Ріжучий візок зупиняється на краю рами.

Основні способи різання

Загальне поводження

- Зробіть кілька простих виробів, використовуючи обрізки матеріалу, щоб відчути, як працює машина.
- Завжди виконуйте імітацію різання (без живлення) перед початком розрізу, щоб побачити шлях ріжучого диска.

Пряме вертикальне різання (Рис. U, Y)

1. Встановіть кут нахилу на 0°.
 2. Опустіть важіль, щоб привести ріжучий диск в потрібне положення.
 3. Встановіть заготовку плоско на столі і притисніть до напрямної планки готовою стороною вгору. Зіставте маркування на заготовці з маркуванням на індикаторі ширини розрізу.
 4. Тримайте обидві руки подалі від ріжучого диска.
 5. Увімкніть пристрій і дайте ріжучому диску вийти на повну швидкість. Зачекайте, поки ріжучий диск повністю не покриється водою.
 6. Повільно подавайте заготовку в ріжучий диск, міцно притискаючи її до напрямної планки. Не прикладайте силу. Швидкість ріжучого диска має бути постійною.
- ПРИМІТКА.** Кришку відрізаного диска можна повернути вгору, щоб вирівняти лінію на плитці з ріжучим диском. Послабте болт **59** гайковим ключем **25**, показаним на рис. Y, та поверніть кришку ріжучого диска.
7. Після завершення різання вимкніть прилад, дайте ріжучому диску зупинитися і витягніть заготовку.

Поперечний розріз з нахилом (Рис. U)

Кути нахилу можна встановити в межах: 22,5° – 45°.

1. Відпустіть ручку регулювання куту нахилу **41** і встановіть бажаний кут.
2. Міцно затягніть ручку регулювання кута нахилу.
3. Виконуйте ті самі дії, як і для прямого різання.

Діагональний виріз (Рис. V)

Крайня напрямна **19** дозволяє вирізати кути під 45°.

1. Помістіть крайню напрямну з монтажним кронштейном над огорожею.
2. Переверніть крайню напрямну в потрібне положення:
 - Переверніть крайню напрямну вправо для вирізання дрібних шматків з великих плиток
 - Переверніть крайню напрямну вліво для будь-якого іншого застосування.
3. Встановіть крайню напрямну на необхідній відстані.
4. Затягніть ручку **37**, щоб закріпити напрямну.
5. Виконуйте ті самі дії, як і для прямого різання.

Врізання (Рис. W)

Врізання використовується для видалення центру плитки, наприклад для електричних розеток, стоків тощо.

1. Позначте область для вирізання з обох боків плитки.
2. Встановіть ріжучий диск відповідного розміру.
3. Відрегулюйте глибину різання, щоб ріжучий диск пропилював заготовку лише наполовину.
4. Встановіть заготовку плоско на столі і притисніть до напрямної планки готовою стороною вгору. Зіставте маркування на заготовці з маркуванням на індикаторі ширини розрізу.
5. Увімкніть пристрій і дайте ріжучому диску вийти на повну швидкість. Зачекайте, поки ріжучий диск повністю не покриється водою.
6. Перемістіть стіл так, щоб маркування на заготовці знаходилось під ріжучим диском.
7. Опустіть важіль, щоб подати ріжучий диск у заготовку. Не перевищуйте помітку. Після обрізання розмітки зафіксуйте важіль у найвищому положенні.
8. Повторіть процедуру для інших маркувань.
9. Переверніть заготовку догори ногами. Виконайте описані вище дії, щоб другий розріз відповідав першому.
10. Після завершення різання вимкніть прилад, дайте ріжучому диску зупинитися і витягніть заготовку.

Вирізання канавок (Рис. Т)

У плитці робиться канавка, наприклад, для розміщення прихованої проводки.

1. Налаштуйте глибину різання відповідно до вимог.
2. Встановіть заготовку плоско на столі і притисніть до напрямної планки нижньою стороною вгору. Зіставте маркування на заготовці з маркуванням на індикаторі ширини розрізу.
3. Виконуйте ті самі дії, як і для прямого різання.
4. Повторіть процедуру, щоб зробити ширшу канавку.

Транспортування (Рис. O, Z)

Знімні деталі можна зберігати в резервуарі для зручності транспортування.

1. Злийте воду з резервуара. Див. **Технічне обслуговування**.
2. Зніміть крайню напрямну та висувний стіл.
3. Зафіксуйте ріжучий візок у потрібному положенні.
4. Зніміть колектори води.
5. Підніміть машину з водного резервуара, як показано на рисунку.
6. Помістіть колектори у водний резервуар в орієнтації, як показано на рисунку.
7. Переверніть водний резервуар догори дном.
8. Крайня напрямна і висувний стіл можуть бути розміщені в водному резервуарі перед розкладанням.
9. Підніміть і утримуйте машину за точки перенесення **61**, як показано на Рис. O.

! *Застереження. Для транспортування машини завжди звертайтеся за допомогою. Машина дуже важка для однієї людини. Перед переміщенням або транспортуванням пилки завжди фіксуйте ріжучий візок.*

ТЕХНІЧНЕ ОБСЛУГОВУВАННЯ

Ваш електричний інструмент призначений для роботи протягом довгого часу з мінімальним обслуговуванням. Довга задовільна робота приладу залежить від належного обслуговування приладу та регулярного його очищення.

! **УВАГА!** Для зниження ризику отримання серйозної травми вимкніть інструмент та відключіть його від джерела живлення перед виконанням будь-яких регулювань або демонтажу/встановлення приладдя або насадок. Випадковий запуск може призвести до тілесних ушкоджень.

! **УВАГА!** Для гарантії БЕЗПЕКИ та НАДІЙНОСТІ використання інструменту ремонт, технічне обслуговування та регулювання слід виконувати у заводському сервісному центрі DEWALT або в авторизованому сервісному центрі DEWALT. Завжди використовуйте знімні деталі, ідентичні оригінальним.

Якщо кабель живлення пошкоджений, його заміну може проводити тільки компанія DEWALT або авторизований сервісний центр.

Осушення водного резервуару (Рис. ###)

Після кожного використання необхідно зливати воду з резервуара.

1. Підставте відповідну ємність під зливну пробку **58**.
2. Вийміть зливну пробку.
3. Дайте досить часу для зливу рідини.
4. Після зливу рідини знову встановіть зливну пробку.
5. Утилізуйте рідину з дотриманням запобіжних заходів для навколишнього середовища.



Змащування

Ваш електричний інструмент не вимагає додаткового змащування.



Очищення

! **ПОПЕРЕДЖЕННЯ:** Коли пил та бруд стають помітними та починають накопичуватися біля вентиляційних отворів, вивувайте бруд та пил зсередини основного корпусу за допомогою сухої повітря. Використовуйте рекомендовані засоби захисту органів зору та рекомендовану протипилову маску при виконанні цієї операції.

! **ПОПЕРЕДЖЕННЯ:** Ніколи не використовуйте розчинники та інші агресивні хімічні засоби для очищення неметалевих деталей інструмента. Такі хімічні речовини можуть нанести шкоду матеріалам, що використовуються в цих деталях. Використовуйте вологу ганчірку, змочену лише водою з м'яким милом. Не дозволяйте рідині потрапляти всередину інструмента та ніколи не занурюйте деталі інструмента в рідину.



Виробник:

"Stanley Black & Decker Deutschland GmbH" Black-&-Decker Str.40, D-65510 Idstein, Німеччина

DEWALT

ГАРАНТІЙНИЙ ТАЛОН

**3 РОКИ
ГАРАНТІЇ**

1. Вітаємо Вас з покупкою високоякісного виробу DEWALT і висловлюємо вдячність за Ваш вибір.
2. При покупці виробу вимагайте перевірки його комплектності і справності у Вашій присутності, інструкцію з експлуатації та заповнений гарантійний талон українською мовою. В гарантійному талоні повинні бути внесені: модель, дата продажу, серійний номер, дата виробництва інструменту; назва, печатка і підпис торгової організації. За відсутності у Вас правильно заповненого гарантійного талону, а також при невідповідності зазначених у ньому даних ми будемо змушені відхилити Ваші претензії щодо якості даного виробу.
3. Щоб уникнути непорозумінь, переконливо просимо Вас перед початком роботи з виробом уважно ознайомитися з інструкцією з його експлуатації. Правовою основою справжніх гарантійних умов є чинне Законодавство. Гарантійний термін на даний виріб складає 36 місяці і обчислюється з дня продажу. У разі усунення недоліків виробу, гарантійний строк продовжується на період його перебування в ремонті. Термін служби виробу становить 5 років з дня продажу.
4. У разі виникнення будь-яких проблем у процесі експлуатації виробу рекомендуємо Вам звертатися тільки в уповноважені сервісні центри DEWALT, адреси та телефони яких Ви зможете знайти в гарантійному талоні, на сайті www.2helpU.com або дізнатися в магазині. Наші сервісні станції - це не тільки кваліфікований ремонт, але і широкий асортимент запчастин і аксесуарів.
5. Виробник рекомендує проводити періодичну перевірку і технічне обслуговування виробу в уповноважених сервісних центрах.
6. Наші гарантійні зобов'язання поширюються тільки на несправності, виявлені протягом гарантійного терміну і викликані дефектами виробництва та \ або матеріалів.
7. Гарантійні умови не поширюються на несправності виробу, що виникли в результаті:
 - 7.1. Недотримання користувачем приписів інструкції з експлуатації виробу, застосування виробу не за призначенням, неправильного зберігання, використання приладдя, витратних матеріалів і запчастин, що не передбачені виробником.
 - 7.2. Механічного пошкодження (відколи, тріщини і руйнування) внутрішніх і зовнішніх деталей виробу, основних і допоміжних рукояток, мережевого кабелю, що викликані зовнішнім ударним або будь-яким іншим впливом
 - 7.3. Потраплення у вентиляційні отвори та проникнення всередину виробу сторонніх предметів, матеріалів або речовин, що не є відходами, які супроводжують застосування виробу за призначенням, такими як: стружка, тирса, пісок, та ін.
 - 7.4. Впливу на виріб несприятливих атмосферних і інших зовнішніх факторів, таких як дощ, сніг, підвищена вологість, нагрівання, агресивні середовища, невідповідність параметрів електромережі, що зазначені на інструменті.
 - 7.5. Стихійного лиха. Пошкодження або втрати виробу, що пов'язані з непередбаченими лихами, стихійними явищами, у тому числі внаслідок дії непереборної сили (пожежа, блискавка, потоп і інші природні явища), а також внаслідок перепадів напруги в електромережі та іншими причинами, які знаходяться поза контролем виробника.
8. Гарантійні умови не поширюються:
 - 8.1. На інструменти, що піддавались розкриттю, ремонту або модифікації поза уповноваженим сервісним центром.
 - 8.2. На деталі, вузли та матеріали, що мають сліди природного зносу, такі як: приводні ремені і колеса, вугільні щітки, мастило, підшипники, зубчасті зчеплення редукторів, гумові ущільнення, сальники, направляючі ролики, муфти, вимикачі, бойки, штовхачі, стволи тощо.
 - 8.3. На змінні частини: патрони, цанги, затискові гайки і фланці, фільтри, ножі, шліфувальні підшви, ланцюги, зірочки, пильні шини, захисні кожухи, пилки, абразиви, пильні і абразивні диски, фрези, свердла, бури тощо
 - 8.4. На несправності, що виникли в результаті перевантаження інструменту (як механічного, так і електричного), що спричинили вихід з ладу одночасно двох і більше деталей і вузлів, таких як: ротора і статора, обох обмоток статора, веденої і ведучої шестерень редуктора або інших вузлів і деталей. До безумовних ознак перевантаження виробу відносяться, крім інших: поява кольорів мінливості, деформація або оплавлення деталей і вузлів виробу, потемніння або обвуглювання ізоляції проводів електродвигуна під впливом високої температури.

Товар отриманий в справному стані, без видимих ушкоджень, в повній комплектації, перевірений у моїй присутності, претензій щодо якості товару не маю. З умовами гарантійного обслуговування ознайомлений і згоден.

П. І. Б. та підпис власника _____

Шановні клієнти, наша мережа авторизованих сервісних центрів постійно розширюється. Актуальну інформацію про обслуговування в місті, що цікавить вас, ви можете дізнатися на сайті

www.2helpU.com

Інформація про інструмент

Найменування інструменту	
Модель	
Найменування продавця	
Дата продажу	

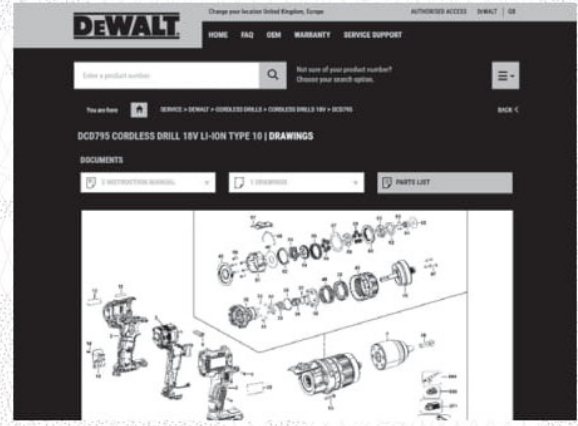
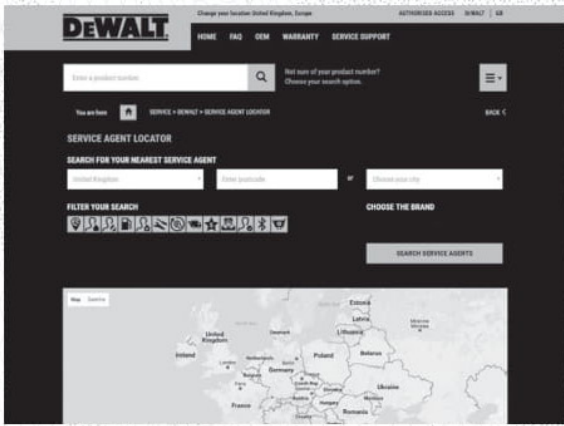
М.П.
Продавця

Серійний номер/Дата виробництва

Інструмент	
Зарядний пристрій	
Акумулятор 1	
Акумулятор 2	

На сайті www.2helpU.com доступні наступні функції:

- Список авторизованих сервісних центрів
- Зручний пошук найближчого сервісного центру
- Керівництво з експлуатації
- Технічні характеристики
- Список деталей і запасних частин
- Схема складання інструменту



**Також дану інформацію ви можете отримати, зателефонувавши за номером:
0 (800) 211 521 в Україні**

ВІДМІТКА ПРО ПРОВЕДЕННЯ СЕРВІСНОГО ОБСЛУГОВУВАННЯ

№1	№2	№3	№4
№ замовлення	№ замовлення	№ замовлення	№ замовлення
Дата прийому	Дата прийому	Дата прийому	Дата прийому
Дата ремонту	Дата ремонту	Дата ремонту	Дата ремонту
Печатка і підпис сервісного центру	Печатка і підпис сервісного центру	Печатка і підпис сервісного центру	Печатка і підпис сервісного центру

