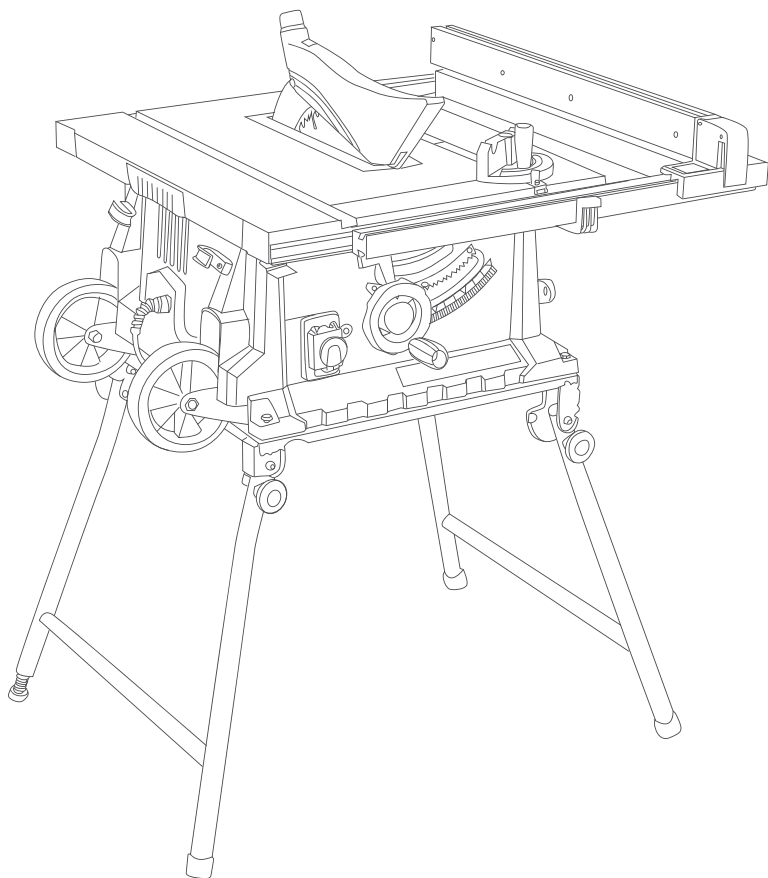


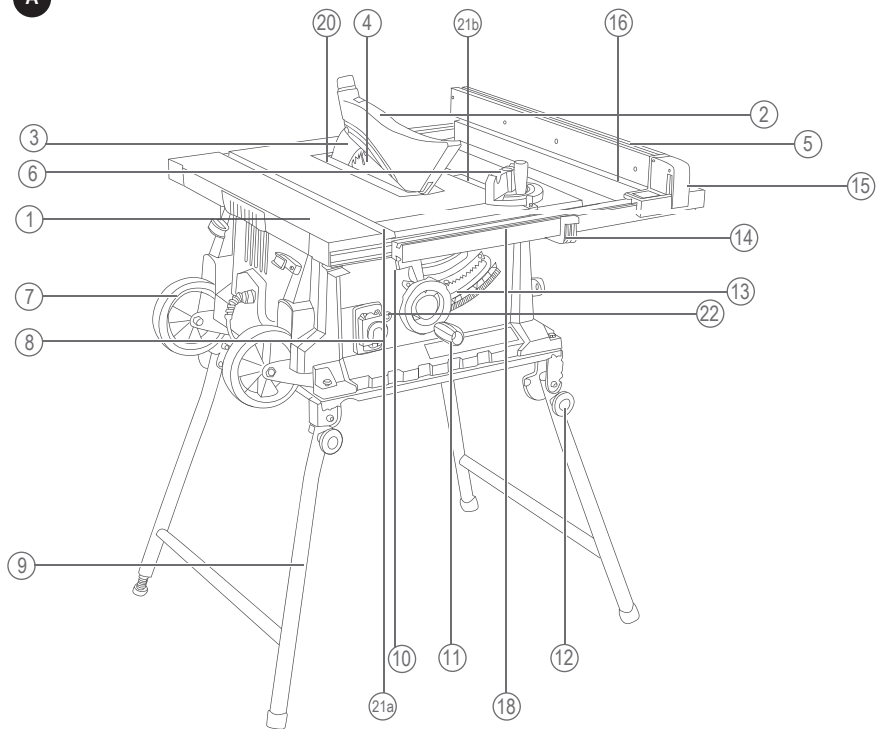
STANLEY®



SST1800

English	Page	03
Turkish	Page	14
Russian	Page	26
Ukrainian	Page	39

A



Intended use

Your STANLEY SST1800 Table Saw is designed for the slitting and cross-cutting of all types of timber commensurate with the machine's size. This tool is intended for professional use.

SAFETY INSTRUCTIONS

WARNING! When using electric tools basic safety precautions should be followed to reduce the risk of fire, electric shock and personal including the following:

Read all these instructions before attempting to operate this product and save these instructions

General Power Tool Safety Warnings



WARNING! Read all safety warnings and all instructions. Failure to follow the warnings and instructions may result in electric shock, fire and/or serious injury.

Save all warnings and instructions for future reference. The term "power tool" in the warnings refers to your mains-operated (corded) power tool or battery-operated (cordless) power tool.

1. **Work area safety**
 - a. **Keep work area clean and well lit.** Cluttered and dark areas invite accidents.
 - b. **Do not operate power tools in explosive atmospheres, such as in the presence of flammable liquids, gases or dust.** Power tools create sparks which may ignite the dust or fumes.
 - c. **Keep children and bystanders away while operating a power tool.** Distractions can cause you to lose control.
2. **Electrical safety**
 - a. **Power tool plugs must match the outlet. Never modify the plug in any way. Do not use any adapter plugs with earthed (grounded) power tools.** Unmodified plugs and matching outlets will reduce risk of electric shock.
 - b. **Avoid body contact with earthed or grounded surfaces such as pipes, radiators, ranges and refrigerators.** There is an increased risk of electric shock if your body is earthed or grounded.
 - c. **Do not expose power tools to rain or wet conditions.** Water entering a power tool will increase the risk of electric shock.
 - d. **Do not abuse the cord. Never use the cord for carrying, pulling or unplugging the power tool. Keep cord away from heat, oil, sharp edges or moving parts.** Damaged or entangled cords increase the risk of electric shock.
 - e. **When operating a power tool outdoors, use an extension cord suitable for outdoor use.** Use of a cord suitable for outdoor use reduces the risk of electric shock.
 - f. **If operating a power tool in a damp location is unavoidable, use a residual current device (RCD) protected supply.** Use of an RCD reduces the risk of electric shock. **Note:** The term "residual current device (RCD)" may be replaced by the term "ground fault circuit interrupter (GFCI)" or "earth leakage circuit breaker (ELCB)".
3. **Personal safety**
 - a. **Stay alert, watch what you are doing and use common sense when operating a power tool. Do not use a power tool while you are tired or under the influence of drugs, alcohol or medication.** A moment of inattention while operating power tools may result in serious personal injury.
 - b. **Use personal protective equipment. Always wear eye protection.** Protective equipment such as dust mask, non-skid safety shoes, hard hat, or hearing protection used for appropriate conditions will reduce personal injuries.
 - c. **Prevent unintentional starting. Ensure the switch is in the off-position before connecting to power source and/or battery pack, picking up or carrying the tool.** Carrying power tools with your finger on the switch or energising power tools that have the switch on invites accidents.
 - d. **Remove any adjusting key or wrench before turning the power tool on.** A wrench or a key left attached to a rotating part of the power tool may result in personal injury.
 - e. **Do not overreach. Keep proper footing and balance at all times.** This enables better control of the power tool in unexpected situations.
 - f. **Dress properly. Do not wear loose clothing or jewellery. Keep your hair, clothing and gloves away from moving parts.** Loose clothes, jewellery or long hair can be caught in moving parts.
 - g. **If devices are provided for the connection of dust extraction and collection facilities, ensure these are connected and properly used.** Use of these devices can reduce dust related hazards.
4. **Power tool use and care**
 - a. **Do not force the power tool. Use the correct power tool for your application.** The correct power tool will do the job better and safer at the rate for which it was designed.
 - b. **Do not use the power tool if the switch does not turn it on and off.** Any power tool that cannot be controlled with the switch is dangerous and must be repaired.
 - c. **Disconnect the plug from the power source and/or the battery pack from the power tool before making any adjustments, changing accessories, or storing power tools.** Such preventive safety measures reduce the risk of starting the power tool accidentally.
 - d. **Store idle power tools out of the reach of children and do not allow persons unfamiliar with the power tool or these instructions to operate the power tool.** Power tools are dangerous in the hands of untrained users.

- e. **Maintain power tools.** Check for misalignment or binding of moving parts, breakage of parts and any other condition that may affect the power tools operation. If damaged, have the power tool repaired before use. Many accidents are caused by poorly maintained power tools.
 - f. **Keep cutting tools sharp and clean.** Properly maintained cutting tools with sharp cutting edges are less likely to bind and are easier to control.
 - g. **Use the power tool, accessories and tool bits etc. in accordance with these instructions, taking into account the working conditions and the work to be performed.** Use of the power tool for operations different from those intended could result in a hazardous situation.
5. **Service**
- a. **Have your power tool serviced by a qualified repair person using only identical replacement parts.** This will ensure that the safety of the power tool is maintained.

TABLE SAWS SAFETY WARNINGS



Warning! Failure to follow these rules may result in serious injury.

- **DO NOT OPERATE THIS MACHINE** until it is assembled and installed according to the instructions.
- **OBTAIN ADVICE FROM** another qualified person if you are not familiar with the operation of this machine.
- **FOLLOW ALL WIRING CODES** and recommended electrical connections.
- **ALWAYS USE THE GUARDS** Check to see that they are in place, secured, and working correctly.
- **ALWAYS USE GUARDS, SPLITTER.**
- **REMOVE CUT-OFF PIECES AND SCRAPS** from the table before starting the saw. The vibration of the machine may cause them to move into the saw lade and be thrown out. After cutting, turn the machine off. After the blade has come to a complete stop, remove all debris.
- **NEVER START THE MACHINE** with the workpiece against the blade.
- **NEVER** run the workpiece between the fence and a moulding cutterhead.
- **CUTTING THE WORKPIECE WITHOUT THE USE OF A FENCE OR MITER GAUGE IS KNOWN AS “FREEHAND” CUTTING.** NEVER perform “freehand” operations. Use either the fence or miter gauge to position and guide the workpiece.
- **HOLD THE WORKPIECE FIRMLY** against the miter gauge or fence.
- **CUTTING COMPLETELY THROUGH THE WORKPIECE IS KNOWN AS “THROUGH-SAWING”.** Ripping and cross-cutting are through-sawing operations. Cutting with the grain (or down the length of the workpiece) is ripping. Cutting across the grain (or across the workpiece) is cross-cutting. Use a fence or fence system for ripping. DO NOT use a fence or fence system for cross-cutting. Instead, use a miter gauge. USE PUSH STICK(S) for ripping a narrow workpiece.
- **AVOID AWKWARD OPERATIONS AND HAND POSITIONS** where a sudden slip could cause a hand to move into the blade
- **KEEP ARMS, HANDS, AND FINGERS** away from the blade
- **NEVER** have any part of your body in line with the path of the saw blade.
- **NEVER REACH AROUND** or over the saw blade.
- **NEVER** attempt to free a stalled saw blade without first turning the machine “OFF”.
- **PROPERLY SUPPORT LONG OR WIDE** workpieces.
- **NEVER PERFORM LAYOUT,** assembly or set-up work on the table/work area when the machine is running.
- **TURN THE MACHINE “OFF” AND DISCONNECT THE MACHINE** from the power source before installing or removing accessories, before adjusting or changing set-ups, or when making repairs.
- **TURN THE MACHINE “OFF”,** disconnect the machine from the power source, and clean the table/work area before leaving the machine. **TURN THE SWITCH IN THE “OFF” POSITION.**
- Use push-sticks or push blocks to feed the workpiece past the saw blade
- Use and correct adjustment of the upper saw blade guard
- Do not use the saw blade if damaged or deformed.
- Use only the recommended saw blade, which conform to EN847-1.
- When change saw blade, make sure the width of the groove cut of the saw blade shall not be less than and the thickness of the body of the saw blade shall not be more than the thickness of the riving knife.
- Select the saw blade suitable for the material to be cut
- Wear suitable personal protective equipment include:
 - hearing protection to reduce the risk of induced hearing loss;
 - eye protection
 - respiratory protection to reduce the risk of inhalation of harmful duct;
 - gloves for handling saw blades and rough material (saw blade should be carried in a holder wherever practicable)
- Connect to a dust-collecting device when sawing wood
- Do not use high speed steel (HS) saw blades
- Do not rebate or groove unless suitable guarding, such as a tunnel guard, is fitted above the saw table;
- Do not use saws for slotting (stopped groove)
- Use only saw blades for which the maximum possible speed is not less than the maximum spindle speed of the tool and the material to be cut.

Note: Mains voltage: When connecting to the mains, it is imperative to verify if the voltage of the mains matches that of the power tool. If the mains voltage exceeds the voltage indicated on the power tool, the user may become severely injured in an accident, and the tool may be damaged. On the contrary, if the mains voltage is lower than the voltage required by the tool, the motor may be damaged as a result. Thus, if it is not possible to verify the voltage, it is imperative not to plug in to the power source.

POWER CONNECTIONS

Before connecting the machine to the power line, make sure the switch (s) is in the "OFF" position and be sure that the electric current is of the same characteristics as indicated on the machine. All line connections should make good contact. Running on low voltage will damage the machine.



Danger! Do not expose the machine to rain or operate the machine in damp locations.

Before connecting the machine to the power source, make sure the switch is in the "OFF" position.

RESIDUAL RISKS

Additional residual risks may arise when using the tool which may not be included in the enclosed safety warnings. These risks can arise from misuse, prolonged use etc. In spite of the application of the relevant safety regulations and the implementation of safety devices, certain risks cannot be avoided. These are:

- Injuries caused when changing any parts, blades or accessories.
- Injuries caused by prolonged use of a tool. When using any tool for prolonged periods ensure you take regular breaks.
- Impairment of hearing.
- Health hazards caused by breathing dust developed when using your tool (example: working with wood, especially oak, beech and MDF.)

SAFETY OF OTHERS

- This appliance is not intended for use by persons (including children) with reduced physical, sensory or mental capabilities, or lack of experience and knowledge, unless they have been given supervision or instruction concerning use of the appliance by a person responsible for their safety.
- Children should be supervised to ensure that they do not play with the appliance.

LABELS ON TOOL

The following symbols are shown on the tool along with date code:

	WARNING! TO REDUCE THE RISK OF INJURY, THE USER MUST READ THE INSTRUCTION MANUAL BEFORE USE.		
	Wear ear protection.		
	Wear safety glasses or goggles.		
V	Volts	===	Direct Current
A	Amperes	n ₀	No-Load Speed
Hz	Hertz		Class II Construction
W	Watts		Earthing Terminal
min	minutes		Safety Alert Symbol
	Alternating Current	/min.	Revolutions or Reciprocation per minute

Position of Date Code (FIG. A)

The Date Code (10), which also includes the year of manufacture, is printed into the housing.

Example:

2017 XX JN
Year of manufacturing

PACKAGE CONTENTS

- 1 SST1800 table saw
- 1 60T saw blade
- 1 Blade guard
- 1 Miter gauge
- 1 Rip fence
- 1 Extraction hose
- 1 Hose adapter
- 2 Spanner wrench
- 1 Push stick

ELECTRICAL SAFETY

Your tool need to be earthed. Be sure to check that the power supply corresponds to the voltage on the rating plate.



If the supply cord is damaged, it must be replaced by the manufacturer or an authorised STANLEY Service Centre in order to avoid a hazard.

FEATURES (FIG. A)

This tool includes some or all of the following features.

1. Saw table
2. Blade guard
3. Riving knife
4. Saw blade
5. Rip fence
6. Mitre gauge
7. Transportation wheels

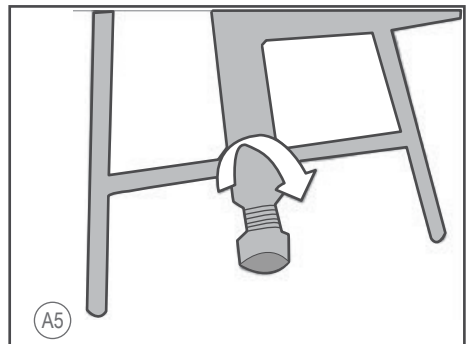
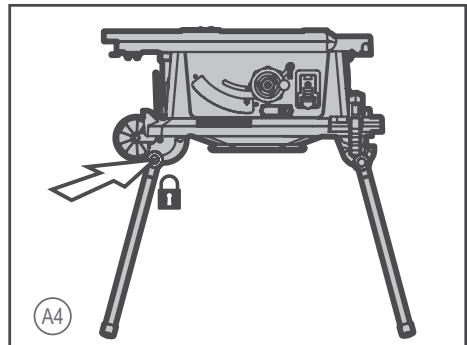
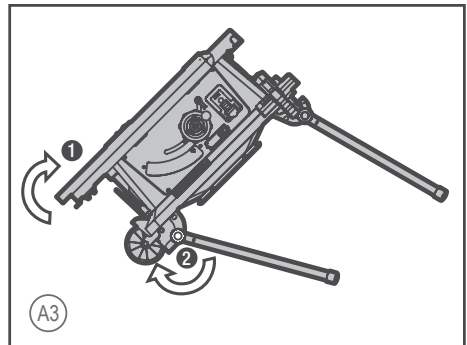
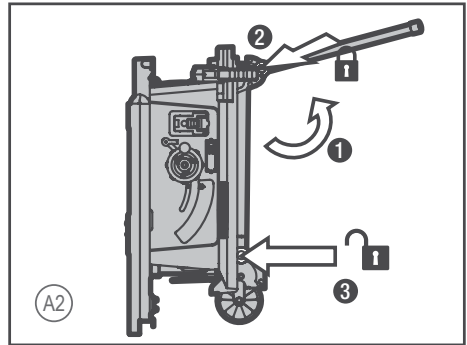
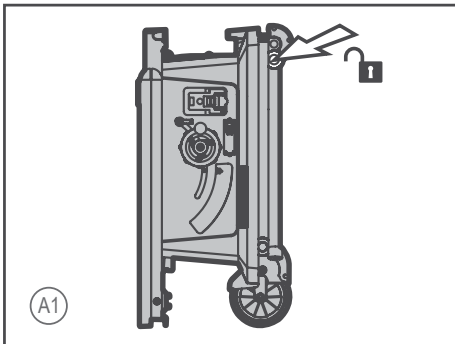
ENGLISH (Original instructions)

8. On/Off switch
9. Leg stand
10. Bevel adjustment locking knob
11. Blade elevation handle
12. Leg stand locking knob
13. Blade tilting wheel
14. Locking handle for extension table
15. Locking handle for rip fence
16. Extension table
17. Spanner wrench
18. Guide rail
19. Push stick
20. Table insert
21. Groove (a)
21. Groove (b)
22. Overloaded protector

ASSEMBLY (Fig. A1, A2, A3, A4)

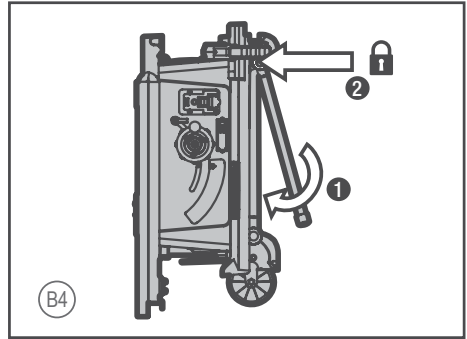
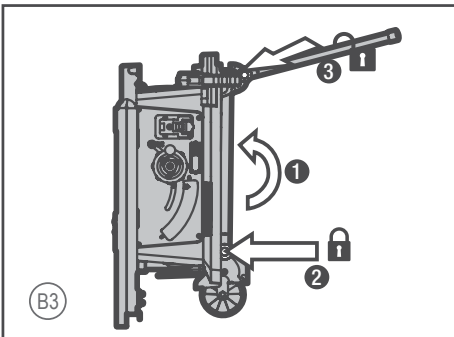
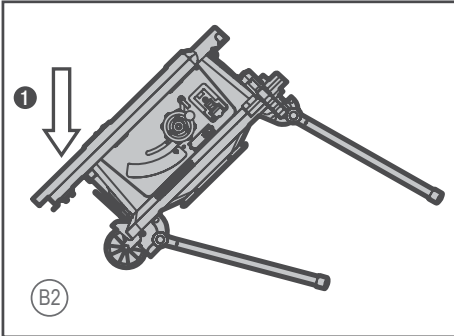
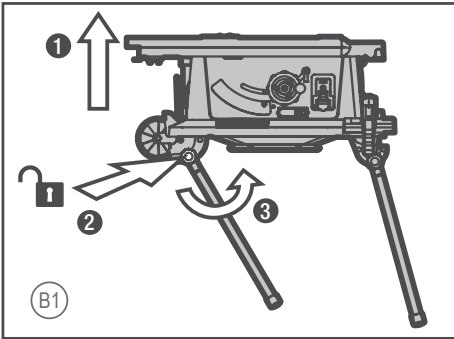
There are three positions on the machine for different use, standing, folding and transporting. The legs are locked using twist knobs which lock/unlock in either direction and have a central unlocked position.

1. Start with the saw standing on its wheels (A1), unlock the upper legs. Swing up the legs and lock (A2) then unlock the lower legs.
2. Lift the table from the end (A3), allowing the lower leg to swing into place. Swing the leg fully into place and lock (A4).
3. There is an adjustable spring leg as shown in Fig.A5. You can rotate it clockwise or anti-clockwise for your desired length. (A5)



Folding instructions (Fig. B1, B2, B3, B4)

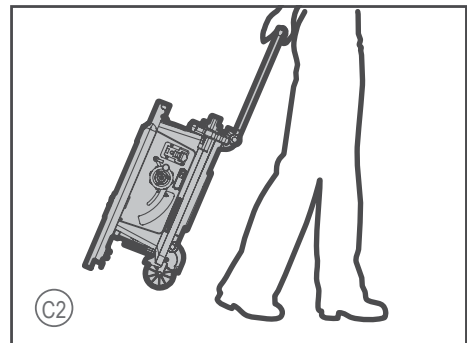
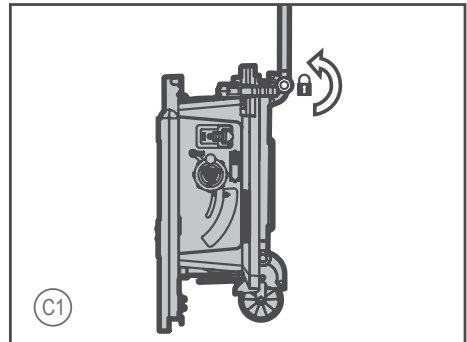
Hold and support the table edge, unlock the legs at the wheel end (B1). Lower the wheels to the ground, allowing the legs to swing under (B2). Stand the table on end, fold up and lock the lower legs, unlock the upper legs (B3). Swing down the legs and lock (B4).



To Transport The Table Saw (Fig C1, C2)

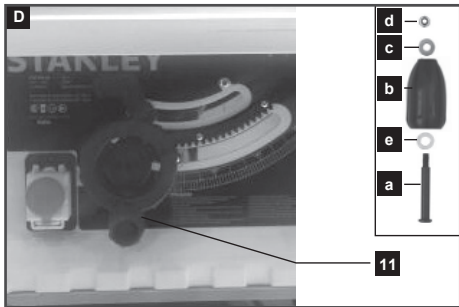
The upper legs could be locked in the vertical position for use as a trolley handle.

WARNING! Cover the upper part of the saw blade during transportation, for example by the guard

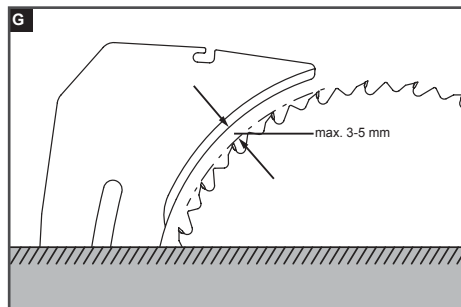


Handle assembly (Fig. D)

Place washer (e), housing (b), washer (c) and hex nut (d) on the bolt (a) to assemble the handle (11)



4. The gap between the saw blade (4) teeth and the riving knife should be around 3mm to 5mm (Fig.G)



Riving knife set-up (Fig. E, F, G)



Warning! Disconnect the mains cable! The setup of the riving knife (3) must be checked before each use.

1. Set the saw blade (4) to the max. cutting depth, put it at 00 position and lock it
2. Remove the table insert (20) (Fig. E)



5. R-tighten the mounting screw (f) and fix the table insert (20)

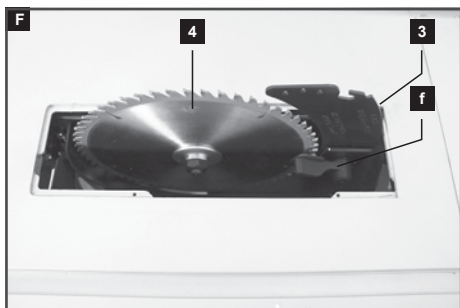


Warning! Ensure the machine is disconnected from the power source. Never use the machine without the table insert; immediately replace the table insert when worn or damaged



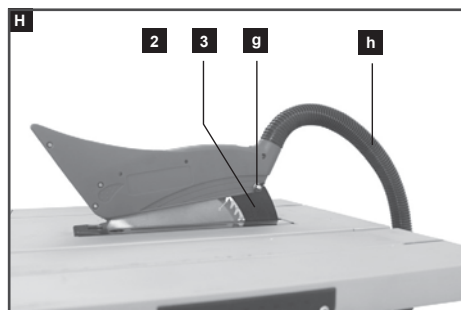
Warning! For transport reasons, the riving knife (3) was fixed in the lower position before initial commissioning. Only work with the machine if the riving knife (3) is in the upper position. Fitting the riving knife (3) in the upper position is as follows:

3. Loosen the locking handle (f) and push the riving knife (3) in the upper position (Fig.F)



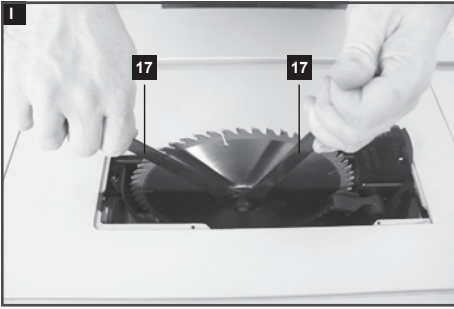
Saw blade guard assembly (Fig. H)

1. Fasten the saw blade guard (2) to the riving knife (5) with the bolt (g).
2. Place the rear extraction hose (h) on the extraction adapter on the saw blade guard (2).
3. Disassembly in reverse order.



Saw blade assembly/replacement (Fig. E, H, I)

1. Warning: Ensure the machine is disconnected from the power source. Wear the safety gloves.
2. Disassemble the saw blade guard (2) (Fig. H.)
3. Remove the table insert (20) (Fig. E).
4. Loosen the nut by placing the spanner wrench (17) on the nut and countering with another spanner wrench (17) on the flange (Fig. I).



Setting the angle (Fig. J)

Set the required bevel angle from 0 to 45 degree



Before cutting, ensure the saw blade (4) and mitre gauge (6) no collision

- Loose the Bevel adjustment locking knob (10).
- Set up the desired angle then lock the knob again

Working with the rip fence

Setting the fence height (Fig. K)

- The fence rail (i) of the rip fence (5) has two guiding surface with different heights.
- Depending on the thickness of the material to be cut, the higher side of the fence rail (i) has to be used for thick material (work piece thickness above 25mm) and the lower side of the fence rail for thin material (work piece thickness below 25mm).
- For the adjustment, loosen the bolts on the side of the rip fence (5) and push the fence rail (i) on he guide, depending on the required position.
- Tighten the bolts again.

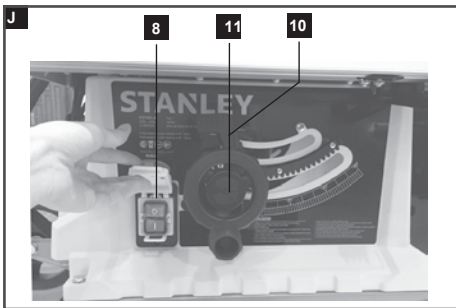
- Warning! Turn the nut in the rotational direction of the saw blade.
- Remove the outer flange and take out the saw blade from the inner flange, with diagonally downwards movement.
- Carefully clean the flange with a before fixing the new saw blade.
- Insert the new saw blade and fasten the outer flange. The outer flange has a $\Phi 30\text{mm}$ raised boss which fits in side the blade bore.

Warning! The teeth of a new blade are very sharp and can be dangerous. Make sure the teeth point down at the front of the table, aligned with the arrow marked on the saw blade guard (2).

- Attach the table insert (20) and the saw blade guard (2) again and set them.
- Before working, check the functionality of the guards.

On/Off switch (Fig. J)

- To switch the machine on, press the green start "I" button.
- To switch the machine off, press the red stop "O" button.

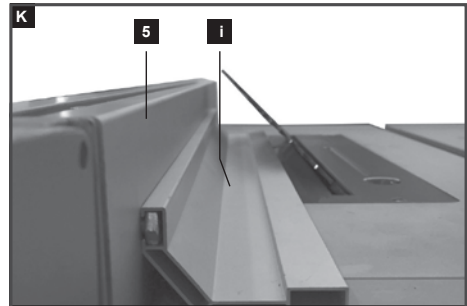


Cutting depth (Fig. J)

Turn the blade elevation handle (11) to set the blade to the required cutting depth.

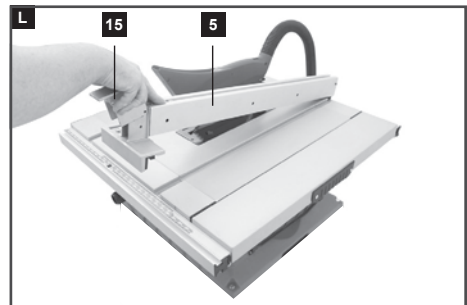
- Turn anti-clockwise; to increase the cutting depth
- Turn Clockwise; to reduce the cutting depth

After each new adjustment it is advisable to carry out a trial cut in order to check the set dimensions.



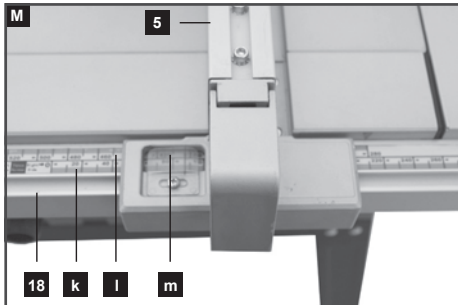
Rip fence assembly (Fig. L)

- Fix the rip fence (5) at the back side and press the locking handle (15) downwards.
- When disassembly, pull the locking handle up and remove the rip fence (5).
- The rip fence could be locked setting with the rear knurled nut.



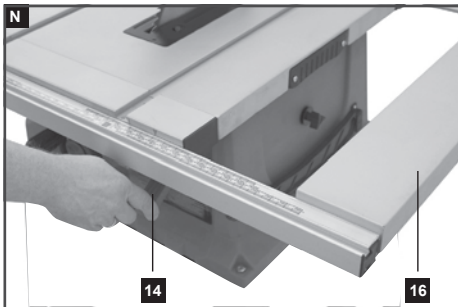
Setting the cutting width (Fig. M)

- The rip fence (5) is used for lengthwise cutting of wood.
- Place the rip fence (5) on the guide rail (18) to the right or left of the saw blade.
- 2 scales (k/l) on the guide rail (18) to show the gap between fence rail (i) and saw blade (4)
- Set the rip fence (5) to the required specification on the sight-glass (m) and secure it with the locking handle for the rip fence.



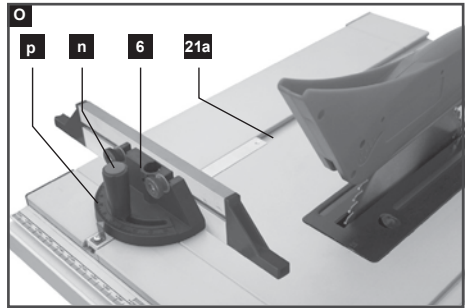
Extension table (Fig. N)

- The extension table (16) could be used for particularly wide workpieces
- Loosen the locking handle (14) and pull out the table width extension.



Cross stop (Fig. O)

- Push the miter gauge (6) into a slot (21 a/b) on the saw table.
- Loosen the locking handle (n).
- Rotate the miter gauge (6) until the required angle is set. The scale (p) shows the set angle.
- Re-tighten the locking handle (p).



OPERATION

Working instructions

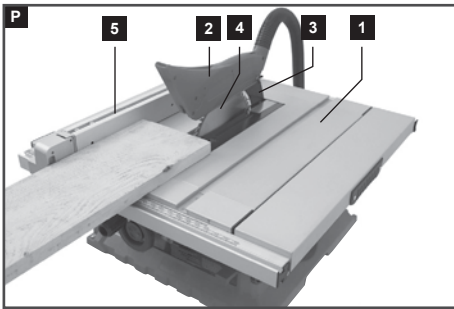
After each new adjustment it is advisable to carry out a trial in order to check the set dimensions. After switching on the saw, wait for the blade to reach its maximum speed of rotation before commencing with the cut.

Secure long workpiece against falling off at the end of the cut (e.g. with a roller stand etc.) Take extra care when starting the cut! Never use the equipment without the suction function. Regularly check and clean the suction channels.

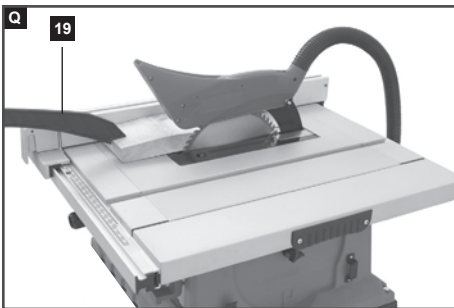
Making longitudinal cuts (Fig. P)

Longitudinal cutting (also known as slitting) is when you use the saw to cut along the grain of the wood. Press one edge of the workpiece against the parallel stop (5) to be replaced by the rip fence (5) while the flat side on the saw table (1). The blade guard (2) must always be lowered over the workpiece. When you make a longitudinal cut, never adopt a working position that is in line with cutting direction.

- Set the in accordance with the workpiece height and the desired width.
- Switch on the saw.
- Place your hands (with fingers closed) flat on the workpiece and push the workpiece along the and into the blade (4).
- Guide at the side with your left or right hand (depending on the position) only as far as the front edge of the saw blade guard (2).
- Always push the workpiece through to the end of the riving knife (3)
- The offcut piece remains on the saw table (1) until the blade (4) is back in its position of rest.
- Secure long workpiece against falling off at the end of the cut) with a roller stand etc.

**Caution: (Fig. Q)**

- Always use the push stick (19) when ripping small workpieces (fig. Q)
- Do not cut excessively small workpieces.

**Cross Cutting**

- Lock the miter gauge (6) at 0 degree
- Set the bevel angle to 0 degree
- Adjust the saw blade (4) height
- Hold the workpiece flat on the table (1) and against the fence. Keep the workpiece away from the blade.
- Keep both hands away from the path of the saw blade.
- Switch the machine on and allow the saw blade to reach full speed.
- Hold the workpiece tightly against the fence and slowly move the workpiece together with the fence assembly until the workpiece comes underneath the upper blade guard. Allow the teeth to cut, and do not force the workpiece through the saw blade. The saw blade speed should be kept constant.

After completing the cut, switch the machine off, allow the saw blade to stop and remove the workpiece

- Push the workpiece toward the blade in order to make the cut.

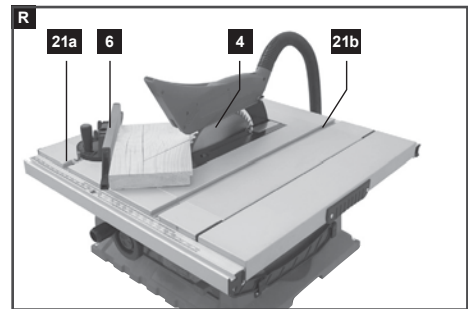
Important: Never push or hold the cut-off-side workpiece.

Bevel cuts (Fig. R)

Bevel cuts must always be made using the rip fence (5).

- Set the blade (4) to the desired angle.

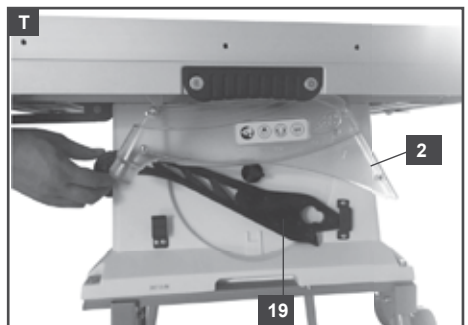
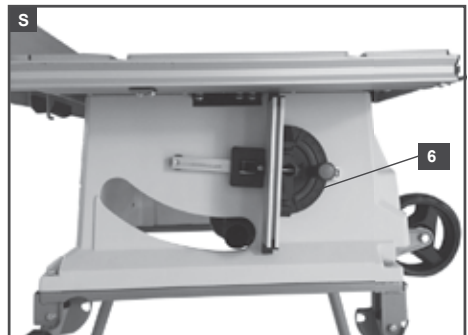
- Proceed as for cross cutting

**Cutting particle boards**

To prevent the cutting edges from cracking when working with particle boards, the saw blade must be higher than the workpiece height.

Auxiliary tools stored (Fig. S,T)

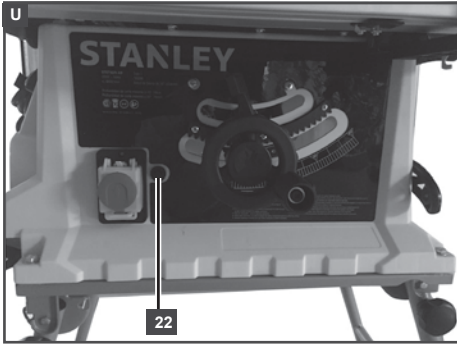
Auxiliary tools can be stored on the machine Miter gauge (6) could be put on hook as Fig S showed. Blade guard (2) and push stick (19) could be put on hook as Fig T showed.

**Blade jamming handling (Fig. U)**

- Ensure the machine is disconnected from the power source.

ENGLISH (Original instructions)

- Remove the workpiece at first. Warning: Be careful of your hands not touching the saw blade.
- Press the overloaded protector(22) and connect the plug again, the machine can be resumed to work. (Fig. U)



Important! To assure product SAFETY and RELIABILITY, repairs, maintenance and adjustment (other than those listed in this manual) should be performed by authorized service centers or other qualified service personnel, always using identical replacement parts.

ACCESSORIES

We recommend that you purchase your accessories from the same store that sold you the tool. Use good quality accessories marked with a well-known brand name. Choose the type according to the work you intend to undertake. Refer to the accessory packaging for further details. Store personnel can assist you and offer advice.

Protecting the Environment



Separate collection. This product must not be disposed of with normal household waste.

Should you find one day that your STANLEY product needs replacement, or if it is of no further use to you, do not dispose of it with household waste. Make this product available for separate collection.



STANLEY provides a facility for the collection and recycling of STANLEY products once they have reached the end of their working life. To take advantage of this service please return your product to any authorised repair agent who will collect them on our behalf.

You can check the location of your nearest authorised repair agent by contacting your local STANLEY office at the address indicated in this manual. Alternatively, a list of authorised STANLEY repair agents and full details of our after-sales service and contacts are available on the Internet at: www.2helpU.com.

Notes

STANLEY's policy is one of continuous improvement to our products and as such, we reserve the right to change product specifications without prior notice.

Standard equipment and accessories may vary by country.

Product specifications may differ by country.

Complete product range may not be available in all countries. Contact your local STANLEY dealers for range availability.

APPLICATIONS

1. Make sure the kerf is made on the scrap side of the measuring line.
2. Cut the wood with the finished side up.
3. Always have a proper support for the wood as it comes out of the blade.
4. Make a test cut for important cuts.
5. Always use the correct blade depth setting. The top of the blade teeth should clear the top of the material being cut by 1/8" (3 mm) to 1/4" (6 mm).
6. Inspect the work-piece for knots or nails before beginning a cut. Remove any loose knots with a hammer.
7. Always use clean, sharp, properly-set blades. Never make a cut with a dull blade.
8. When making a cut, use steady, even pressure. Never force a cut.
9. DO NOT cut wet or warped lumber.
10. Always hold your work-piece firmly with both hands or use a push stick.

MAINTAIN TOOLS WITH CARE

Remove the plug from the socket before carrying out any adjustment, servicing or maintenance. Keep tools sharp and clean for better and safer performance. Inspect tool cords periodically and if damaged, have repaired by an authorized service facility. Your power tool requires no additional lubrication or maintenance. There are no user serviceable parts in your power tool. Never use water or chemical cleaners to clean your power tool. Wipe clean with a dry cloth. Always store your power tool in a dry place. Keep the motor ventilation slots clean. Keep all working controls free of dust. If you see some sparks flashing in the ventilation slots, this is normal and will not damage your power tool. If the supply cord is damaged, it must be replaced by the manufacturer, its service agent or similarly qualified persons in order to avoid a hazard.

TECHNICAL DATA

Table Saw	SST1800	
Voltage	V	220-240
Frequency	Hz	50/60
Power input	W	1800
No-load speed	rpm	4800
Blade diameter	mm	254
Bore Size	mm	30
Riving knife thickness	mm	2.5
Table size	mm	640x 640
Max. cutting depth at 45°	mm	50
Max. cutting depth at 90°	mm	80
Blade bevel range		0 - 45°
Weight	kg	35

Noise Values

The total noise values determined in accordance with

Level of sound pressure according to EN 61029:	
Sound pressure Level L_{pA}	87,5 dB(A)
uncertainty K_{pA}	3 dB
sound power level L_{WA}	103,5 dB(A)
uncertainty K_{WA}	3 dB

Service Information

STANLEY offers a full network of company-owned and/ or authorized service agents throughout your country. All STANLEY Service Centers are staffed with trained personnel to provide customers with efficient and reliable power tool service. Whether you need technical advice, repair, or genuine factory replacement parts, contact the STANLEY location nearest to you.

EC declaration of conformity
MACHINERY DIRECTIVE**SST1800 - Table Saw**

Stanley Europe declares that these products described under "technical data" are in compliance with: 2006/42/EC, EN 61029-1: 2009+A11:2010 and EN 61029-2-1: 2012.

These products also comply with Directive 2004/108/ EC 2014/30/EU and 2011/65/EU.

For more information, please contact Stanley Europe at the following address or refer to the back of the manual.

The undersigned is responsible for compilation of the technical file and makes this declaration on behalf of Stanley Europe.

R.Laverick
Engineering Manager
Stanley Europe, Egide Walschaertsstraat 14-18,
2800 Mechelen, Belgium
07.2017

TWO YEAR WARRANTY

If your STANLEY product becomes defective due to faulty materials or workmanship within 24 months from the date of purchase, STANLEY guarantees to replace all defective parts free of charge or – at our discretion – replace the unit free of charge provided that:

- The product has not been misused and has been used in accordance with the instruction manual;
- The product has been subject to fair wear and tear;
- Repairs have not been attempted by unauthorized persons;
- Proof of purchase is produced.
- The STANLEY product is returned complete with all original components
- The product hasn't been used for hire purposes

If you wish to make a claim, contact your seller or check the location of your nearest authorised STANLEY repair agent in the STANLEY catalogue or contact your local STANLEY office at the address indicated in this manual. A list of authorised STANLEY repair agents and full details of our after sales service is available on the internet at: www.2helpU.com

Kullanım amacı

STANLEY SST1800 Tezgah Tipi Testere, alet ebadına uygun her türlü kerestenin uzunlamasına ve çapraz kesilmesi için tasarlanmıştır. Bu alet profesyonel kullanım içindir.

GÜVENLİK TALİMATLARI

UYARI! Elektrikli aletlerle çalışırken yangın oluşma riski, elektrik çarpması ve kişilerin yaralanması önlemek için burada belirtilen güvenlik talimatlarına uyulmalıdır.

Bu ürünü kullanmadan önce tüm bu talimatları okuyun ve kaydedin

Elektrikli el aletleri için genel güvenlik talimatları

UYARI! Bütün güvenlik uyarılarını ve talimatlarını mutlaka okuyun. . Bu uyarılar ve talimatların herhangi birisine uyulmaması elektrik çarpması, yangın ve/veya ciddi yaralanma riskine neden olabilir.

Bütün uyarı ve güvenlik talimatlarını ileride bakmak üzere saklayın. Uyarılarda yer alan «elektrikli alet» terimi şebeke elektrifiğiyle (kablolu) veya akü/pille (şarjlı) çalışan elektrikli aletinizi ifade etmektedir.

1. Çalışma alanının güvenliği

- Çalışma alanını temiz ve aydınlık tutun.** Dağınık ve karanlık alanlar kazaya davetiye çıkarır.
- Elektrikli aletleri, yanıcı sıvılar, gazlar ve tozların bulunduğu yerler gibi yanıcı ortamlarda çalıştırmayın.** Elektrikli aletler, toz veya dumanları ateşleyebilecek kıvılcımlar çıkarır.
- Bir elektrikli aleti çalıştırırken çocuklardan ve etraftaki kişilerden uzak tutun.** Dikkatinizi dağıtıcı şeyler kontrolü kaybetmenize neden olabilir.

2. Elektrik güvenliği

- Elektrikli aletlerin fişleri prizlere uygun olmalıdır. Fiş üzerinde kesinlikle hiçbir değişiklik yapmayın. Topraklı (topraklanmış) elektrikli aletlerde hiçbir adaptor fişi kullanmayın.** Değiştirilmemiş fişler ve uygun prizler elektrik çarpması riskini azaltacaktır.
- Borular, radyatörler, ocaklar ve buzdolapları gibi topraklanmış yüzeylerle vücut temasından kaçının.** Vücudunuzun topraklanması halinde yüksek elektrik çarpması riski vardır.
- Elektrikli aletleri yağmura maruz bırakmayın veya ıslatmayın.** Elektrikli alete su girmesi, elektrik çarpması riskini artıracaktır.
- Kablosuna zarar vermeyin. Elektrikli aleti kesinlikle kablodan tutarak taşımayın, çekmeyin veya prizden çıkarmayın. Kabloyu sıcaktan, yağdan, keskin kenarlardan veya hareketli parçalardan uzak tutun.** Hasarlı veya dolaşmış kablolar elektrik çarpması riskini artırır.
- Elektrikli aleti açık havada kullanırken, açık hava kullanımına uygun bir uzatma kablosu kullanın.** Açık

havada kullanıma uygun bir kablonun kullanılması elektrik çarpması riskini azaltır.

- Eğer bir elektrikli aleti nemli bir bölgede çalıştırmaya zorluyorsa, bir artık akım aygıtı (RCD) korumalı bir kaynak kullanın.** Bir RCD kullanılması elektrik çarpması riskini azaltır. **NOT:** «Artık Akım Aygıtı (RCD)» tanımı, «Kaçak Akım Koruma Cihazı (GFCI)» veya «Toprak Kaçağı Devre Kesici (ELCB)» tanımları ile değiştirilebilir.

3. Kişisel güvenlik

- Elektrikli bir alet kullanırken her zaman dikkatli olun, yaptığınız işe yoğunlaşın ve sağduyulu davranın. Elektrikli bir aleti yorgunken veya ilaç ya da alkolün etkisi altındayken kullanmayın.** Elektrikli aletleri kullanırken bir anlık dikkatsizlik ciddi yaralanmalara yol açabilir.
- Kişisel koruyucu ekipmanları mutlaka kullanın.** Daima koruyucu gözlük takın. Koşullara uygun toz maskesi, kaymayan güvenli ayakkabıları, baret veya kulaklık gibi koruyucu donanımların kullanılması kişisel yaralanmaları azaltacaktır.
- İstem dışı çalıştırılmasını önleyin. Cihazı güç kaynağına ve/veya aküye bağlamadan, kaldırmadan veya taşımadan önce düğmenin kapalı konumda olduğundan emin olun.** Aleti, parmağınız düğme üzerinde bulunacak şekilde taşımak veya açık konumdaki elektrikli aletleri elektrik şebekesine bağlamak kazaya davetiye çıkarır.
- Elektrikli aleti çalıştırmadan önce herhangi bir ayarlama anahtarını veya vida anahtarını çıkarın.** Elektrikli aletin hareketli parçasına takılı bırakılan bir vida anahtarı veya anahtar, kişisel yaralanmaya neden olabilir.
- Ulaşmakta zorlandığınız yerlerde kullanmayın. Her zaman sağlam ve dengeli basın.** Bu, beklenmedik durumlarda elektrikli aletin daha iyi kontrol edilmesine olanak tanır.
- Uygun şekilde giyinin. Bol giysiler giymeyin ve takı takmayın. Saçınızı, giysinizi ve eldivenlerinizi hareketli parçalardan uzak tutun.** Bol giysiler, takılar veya uzun saçlar hareketli parçalara takılabilir.
- Eğer kullandığınız üründe toz emme ve toplama özellikleri olan ataşmalar varsa bunların bağlı olduğundan ve doğru şekilde kullandığından emin olun.** Bu toz toplama ataşmanların kullanılması tozla ilgili tehlikeleri azaltabilir.
- Elektrikli aletlerin kullanımı ve bakımı**
 - Elektrikli aleti zorlamayın. Uygulamanız için doğru elektrikli aleti kullanın.** Doğru elektrikli alet, belirlendiği kapasite ayarında kullanıldığında daha iyi ve güvenli çalışacaktır.
 - Düğme açmıyor ve kapatmıyorsa elektrikli aleti kullanmayın.** Düğmeyle kontrol edilemeyen tüm elektrikli aletler tehlikelidir ve tamir edilmesi gerekmektedir.

- c. Herhangi bir ayarlama, aksesuar değişimi veya elektrikli aletlerin saklanması öncesinde fişi güç kaynağından çekin. Bu tür önleyici güvenlik tedbirleri aletin istem dışı çalıştırılması riskini azaltır.
- d. Elektrikli aleti, çocukların ulaşamayacağı yerlerde saklayın ve elektrikli aleti tanımayan veya bu talimatları bilmeyen kişilerin elektrikli aleti kullanımına izin vermeyin. Elektrikli aletler, eğitimsiz kullanıcıların elinde tehlikelidir.
- e. Elektrikli aletlerin bakımını yapın. Hareketli parçalardaki hizalama hatalarını ve tutuklukları, parçalardaki kırılmalar ve elektrikli aletin çalışmasını etkileyebilecek tüm koşulları kontrol edin. Hasarlı ise, elektrikli aleti kullanmadan önce tamir ettirin. Kazaların çoğu, elektrikli aletlerin bakımının yeterli şekilde yapılmamasından kaynaklanır.
- f. Kesim aletlerini keskin ve temiz tutun. Bakımı uygun şekilde yapılmış keskin kesim uçlu kesim aletlerinin sıkışma ihtimali daha düşüktür ve kontrol edilmesi kolaydır.
- g. Elektrikli aleti, aksesuarlarını ve aletin diğer parçalarını vs. kullanırken bu talimatlara mutlaka uyun ve elektrikli alet türü için öngörüldüğü şekilde, çalışma ortamının koşullarını ve yapılacak işin ne olduğunu göz önünde bulundurun. Elektrikli aletin öngörülen işlemler dışındaki işlemler için kullanılması tehlikeli durumlara neden olabilir.

5. Servis

- a. Elektrikli aletinizi, sadece orijinal yedek parçaları kullanıldığı yetkili servise tamir ettirin. Bu, elektrikli aletin güvenliğini muhafaza edilmesini sağlayacaktır.

TEZGAH TİPİ TESTERELER İÇİN GÜVENLİK TALİMATLARI



Uyarı! Bu talimatların yapılmaması ciddi yaralanmaya yol açabilir.

- **BU MAKİNEYİ** talimatlara göre monte edilene ve kurulana kadar **ÇALIŞTIRMAYIN**.
- Bu makineyi çalıştırmayı bilmiyorsanız, başka bir yetkili personele **DANIŞIN**.
- **TÜM KABLOLAMA KODLARINI TAKİP EDİN** ve önerilen elektrik bağlantılarını yapın.
- **DAİMA KORUYUCU MUHAFAZALARI KULLANIN**. Onların yerine oturduklarını, güvenli olduklarını ve doğru şekilde çalıştığını kontrol edin.
- **HER ZAMAN MUHAFAZALARI VE BIÇAK KAMASINI KULLANIN**.
- Testere çalıştırmadan önce, **KESME PARÇALARINI VE ATIKLARI** tezgahtan çıkarın. Makinenin titreşimi, atıkların testere bıçağına girip fırlatılmasına neden olabilir. Kesim bitirdikten sonra makineyi kapatın. Biçak tamamen durduktan sonra tüm atıkları çıkarın.

- İş parçası bıçağına dayalı olduğunda **MAKİNEYİ ASLA ÇALIŞTIRMAYIN**.
- Siperlik ve kalıp kesici kafası arasında iş parçasını **ASLA yönlendirmeyin**.
- **BİR SİPERLİK VEYA GÖNYE ÖLÇEĞİ KULLANMADAN İŞ PARÇASININ KESİLMESİ "TEK ELLE" KESİM OLARAK BİLİNİR. HİÇBİR ZAMAN** hiçbir işlemi tek elle yapmayın. İş parçasını yerleştirmek ve yönlendirmek için siperlik veya gönye ölçüğünü kullanın.
- **İŞ PARÇASINI** gönye ölçüğü veya siperliğe dayalı olarak **SIKI TUTUN**.
- **İŞ PARÇASININ TAMAMEN YÜZEY ÜZERİNDEN KESİLMESİ "BOYDAN BOYA KESİM" OLARAK BİLİNMEKTEDİR.** Düz ve çapraz kesimler boydan boya kesme işlemleridir. Düz kesim sırasında iş parçası damar yönünde (veya uzunluğu üzerinde) kesilir. Çapraz kesim sırasında iş parçası damar (veya uzunluğu) üzerinden kesilir. Düz kesim yaparken daima siperlik veya kılavuz sistemini kullanın. Çapraz kesim yaparken siperlik veya kılavuz sistemini **KULLANMAYIN**. Bunu yerine gönye ölçüğünü kullanın. Dar iş parçalarını düz keserken **İTME ÇUBUĞU (ÇUBUKLARINI) KULLANIN**.
- Ani bir kayma elinizi testere yoluna hareket etmesine neden olabilecek **ZOR İŞLEMLERİNDEN VE EL POZİSYONLARINDAN KAÇININ**.
- **KOLLARINIZI, ELLERİNİZİ VE PARMAKLARINIZI** bıçaktan uzak tutun.
- Vücudunuz herhangi bir kısmı testere bıçağının yolu ile **HİÇBİR ZAMAN** aynı hizada olmamalıdır.
- Biçak etrafında veya üstünde **ASLA** uzanmayın.
- Makineyi tamamen kapatmadan önce durmuş olan testere bıçağını değiştirmeye **HİÇBİR ZAMAN** çalışmayın.
- **UZUN VEYA GENİŞ** iş parçalarını **DOĞRU BİR ŞEKİLDE DESTEKLEYİN**.
- Makine çalışırken düzenleme, montaj veya ayarlama işlemlerini **HİÇBİR ZAMAN YAPMAYIN**.
- Aksesuarları takıp çıkarmadan, ayarlama veya düzenleme yapmadan veya tamir etmeden önce **MAKİNEYİ KAPATIN VE GÜÇ KAYNAĞINDAN AYIRIN**.
- Makineyi gözetim dışında bırakmadan önce **MAKİNEYİ KAPATIN**, güç kaynağından ayırın ve tezgahı/çalışma alanını temizleyin. **AÇMA/KAPAMA DÜĞMESİNİ "KAPALI" KONUMA GETİRİN**.
- İş parçasını testere bıçağına itmek için itme çubuğu veya itme bloğu kullanın.
- Üst muhafazayı kullanın ve doğru bir biçimde ayarlayın
- Zarar görmüş veya deforme olmuş testere bıçaklarını kullanmayın.
- Yalnızca EN847-1'e uygun tavsiye edilen testere bıçağını kullanın.
- Testere bıçağını değiştirirken, testere bıçağının oluk açma genişliğinin biçak kaması kalınlığından daha az olmamasına ve testere bıçağının gövdesinin kalınlığının biçak kaması kalınlığından fazla olmamasına dikkat edin.

TÜRKÇE (Çevirisi orijinal talimatlardan yapılmıştır)

- Kesilecek malzemeye uygun testere bıçağını seçin
- Kişisel koruyucu ekipmanları mutlaka kullanın;
- işitme kaybı riskini azaltmak için kulaklık takın;
- koruyucu gözlük takın;
- zararlı tozun solunması riskini azaltmak için solunum korumasını kullanın;
- testere bıçakları ve sert malzeme taşıran eldiven giyin (uygulanabilir durumlarda testere bıçağı muhafaza içinde taşınmalıdır).
- Ahşap keserken testereyi toz toplama cihazına bağlayın
- Yüksek hız çeliğinden (H5) yapılmış testere bıçaklarını kullanmayın
- Tünel muhafazası gibi uygun muhafaza testere masasının üzerine monte edilmedikçe, alçatma veya oyuklama yapmayın;
- Oluk açma (kısa oluk) için testere kullanmayın
- Mümkün olan en yüksek hızın aletin maksimum mil hızı ve kesilecek malzemeden daha az olmadığı testere bıçaklarını kullanın.

Not: Şebeke gerilimi: Şebekeye bağlarken, şebeke geriliminin elektrikli alet gerilimine uyumlu olduğunu doğrulamak zorunludur. Şebeke gerilimi elektrikli aletin üzerinde belirtilen gerilimi aşarsa, kullanıcı ciddi bir kazadan yaralanabilir ve alet zarar görebilir. Bilakis, şebeke gerilimi alet için gerekli olan voltajdan daha düşük ise motor hasar görebilir. Şebeke gerilimini doğrulamak mümkün değilse alet güç kaynağına bağlanmamalıdır.

GÜÇ KAYNAĞI BAĞLANTILARI

Makineyi güç kaynağına bağlamadan önce, açma/kapama düğmesinin KAPALI konumda ve güç kaynağının elektrik akımı alet üzerindeki etikette belirtilen aynı olduğundan emin olun. Tüm hat bağlantıları iyi temas kurmalıdır. Düşük voltajda makine çalıştırılması makineye zarar verir.



Tehlike! Makineyi ıslak yerlerde kullanmayın veya yağmura maruz bırakmayın.

Makineyi güç kaynağına bağlamadan önce, açma/kapama düğmesinin KAPALI konumda olduğundan emin olun.

DiĞER TEHLİKELER

Aletin kullanımıyla ilgili ekte sunulan güvenlik uyarılarında dahil olmayan ilave kalıcı riskler ortaya çıkabilir. Bu riskler, hatalı, uzun süreli kullanım vb. dolayısıyla ortaya çıkabilir. Emniyet tedbirlerini düzenleyen yönetmeliğin uygulanmasına ve emniyet sağlayıcı aygıtların kullanılmasına rağmen, başka belirli risklerden kaçınılamaz. Bunlar:

- Aletin dönen ve hareket eden parçalarına dokunma sonucu ortaya çıkan yaralanmalar.
- Herhangi bir parçayı, bıçak veya aksesuarı değiştirirken ortaya çıkan yaralanmalar.
- Aletin uzun süreli kullanılması sonucu ortaya çıkan yaralanmalar. Herhangi bir aleti uzun sürelerle kullanacaksanız düzenli olarak çalışmanıza ara verin.

- Duyma bozukluğu.
- Aleti kullanırken ortaya çıkan tozun solunması sonucu ortaya çıkan sağlık sorunları (örnek: ahşapta, özellikle meşe, kayın ve MDF).

DiĞER KiŞİLERİN GÜVENLİĞİ

- Bu alet fiziksel ve zihinsel kapasitesinin yanı sıra algılama gücü azalmış olan veya yeterince deneyim ve bilgisi bulunmayan kişiler (çocuklar dahil) tarafından kullanılmak üzere üretilmemiştir. Bu tür kişiler aleti ancak güvenliklerinden sorumlu bir kişi tarafından cihazın kullanımıyla ilgili talimatların verilmesi veya sürekli kontrol altında tutulması durumunda kullanılabilir.
- Çocuklar, aletle oynamalarını önlemek amacıyla kontrol altında tutulmalıdır.

ALET ÜZERİNDEKİ ETİKETLER

Aletin etiketinde tarih kodu ile birlikte aşağıdaki semboller bulunabilir:

	UYARI! Yaralanma riskini en aza indirmek için kullanıcı kullanım talimatlarını mutlaka okumalıdır.		
	Kulaklık takın.		
	Koruyucu gözlük takın.		
V	Volt		Doğru akım
A	Amper	n_0	Yüksüz hızı
Hz	Hertz		Çift yalıtım
W	Watt		Topraklı terminal
min	dakikalar		Güvenlik uyarı sembolü
	Dalgalı akım	/min.	Dakikada devir veya darbe sayısı

Tarih kodu konumu (Şekil A)

İmalat yılını da içeren Tarih Kodu (10) gövdeye basılıdır. Örnek:

2017 XX JN
İmalat Yılı

AMBALAJIN İÇERİĞİ

- 1 Tezgaah tipi testere SST1800
- 1 Testere bıçağı 60T
- 1 Bıçak muhafazası
- 1 Gönye ölçeği
- 1 Yarık siperliği
- 1 Emme hortumu
- 1 Hortum adaptörü
- 2 Somun anahtar
- 1 İtme çubuğu

ELEKTRİK GÜVENLİĞİ

Aracınızın topraklı olması gerekir. Bu yüzden hiçbir topraklama kablosuna gerek yoktur. Her zaman şebeke geriliminin aletin üretim etiketinde belirlenmiş değerlere uyup uymadığını kontrol edin.



Elektrik kablosu hasarlı ise, bir tehlike oluşmasını önlemek için üretici ya da yetkili STANLEY Servis Merkezi tarafından değiştirilmelidir.

ÖZELLİKLER (ŞEKİL A)

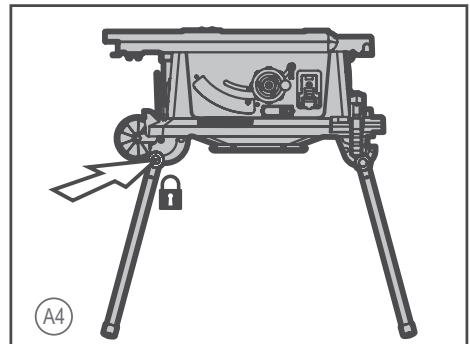
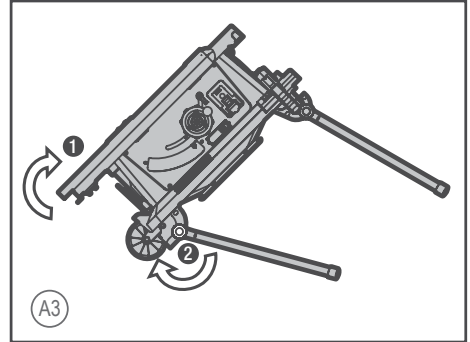
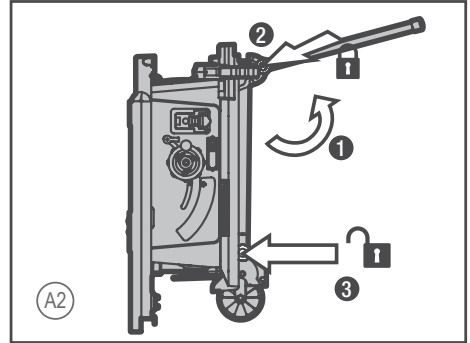
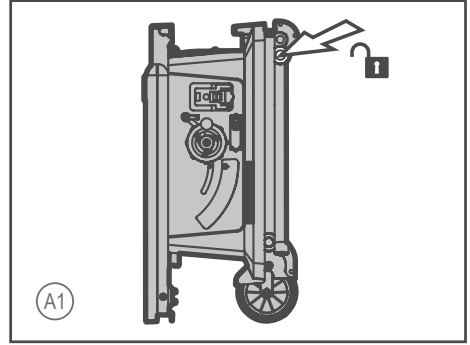
Bu alet, aşağıdaki özelliklerin bir kısmını veya tümünü içermektedir.

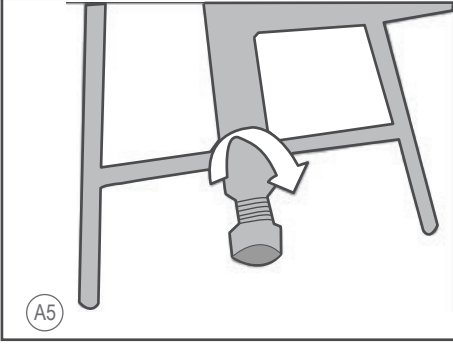
1. Testere tezgahı
2. Bıçak muhafazası
3. Muhafaza
4. Testere bıçağı
5. Yarık siperliğı
6. Gönye ölçęi
7. Taşıma tekerlekleri
8. Açma/kapama düğmesi
9. Ayaklı sehpa
10. Zivana ayarlama kolu
11. Bıçak kaldırma kolu
12. Ayaklı sehpa sabitleme kolu
13. Bıçak eğimi tekerleęi
14. Uzatma tablası kilitleme kolu
15. Yarık siperliğı kilitleme kolu
16. Uzatma tablası
17. Somun anahtarı
18. Kılavuz rayı
19. İtme çubuęu
20. Kesme kanalı plakası
21. Oyuk (a)
21. Oyuk (b)
22. Aşırı yük koruma düğmesi

MONTAJ (ŞEKİL A1, A2, A3, A4)

Makine üzerinde ayakta durma, katlama ve taşıma için üç farklı kullanım konumu vardır. Ayaklar, her yönde kilitlenen/kilidi açan ve orta konumdayken açık konumda tutan dönebilen düğmeleriyle kilitlenir.

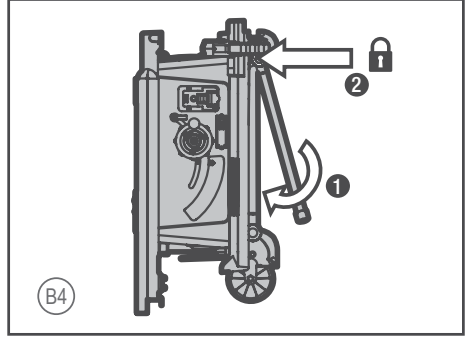
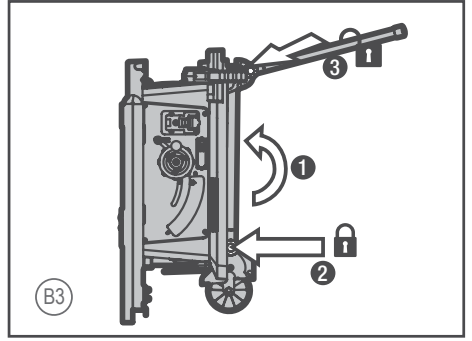
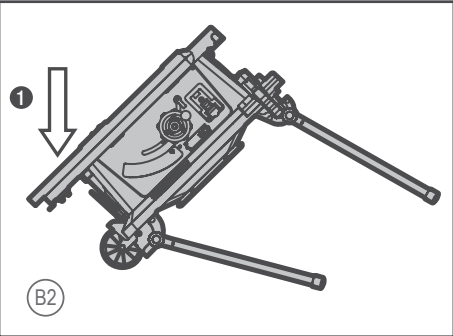
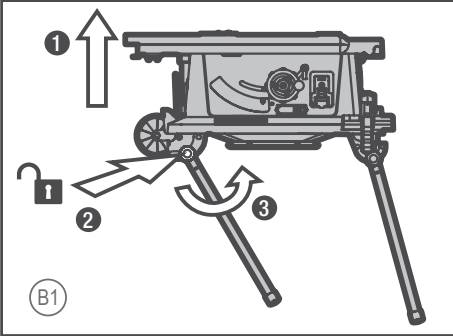
1. Testeyi tekerlekler (A1) üzerine yerleştirin ve üst ayakların kilidini açın. Ayakları açın ve bu konumda kilitleyin (A2) ardından alt ayakların kilidini açın.
2. Tezgahı bir ucundan kaldırın (A3) ve alt ayağın açılmasına izin verin. Ayağı tamamen açın ve yerinde kilitleyin (A4).
3. Şekil A5'te gösterildiğı gibi ayak yaylı ayarlanabilir. İsteddiğiniz yükseklięi ayarlamak için saatin yönünde veya ters yönünde ayağı çevirin. (A5)





KATLAMA TALİMATLARI (ŞEKİL B1, B2, B3, B4)

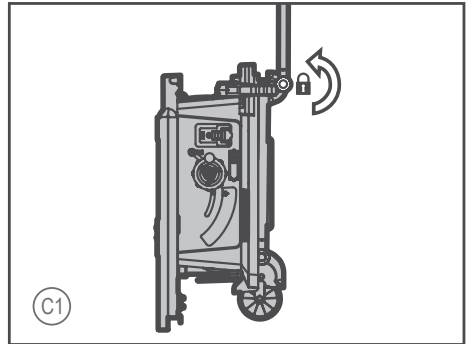
Tezgahı kenarından tutarak ve destekleyerek tekerlek ucunda olan ayakların kilidini açın (B1). Tekerlekleri zemine yerleştirin ve ayakların katlanmasına izin verin (B2). Tezgahı ucuna yerleştirin, alt ayakları katlayın ve kilitleyin ve üst ayakların kilidini açın (B3). Ayakları içine katlayın ve kilitleyin (B4).

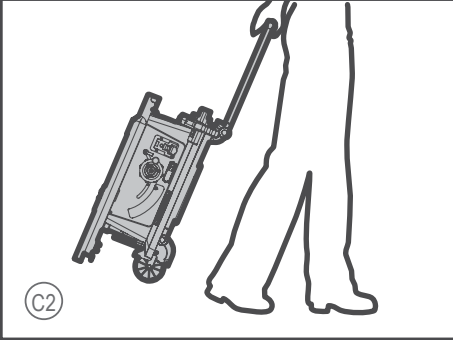


TEZGAH TİPİ TESTERENİN TAŞIMASI (ŞEKİL C1, C2)

Üst ayaklar, bir taşıma arabası olarak kullanılmak üzere dikey konumda kilitlenebilir.

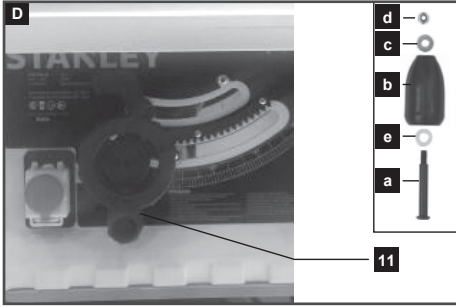
UYARI! Nakliye sırasında testere bıçağının üst kısmını kapatın, örneğin muhafaza ile





Kolun montajı (Şekil D)

Kolu (11) monte etmek için civata (a) üzerine conta (e), kol gövdesi (b), conta (c) ve altıgen somunu (d) takın

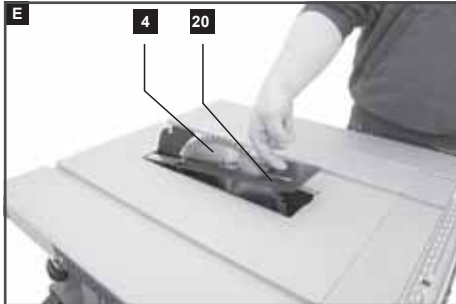


Bıçak kamasının ayarlaması (Şekil E, F, G)



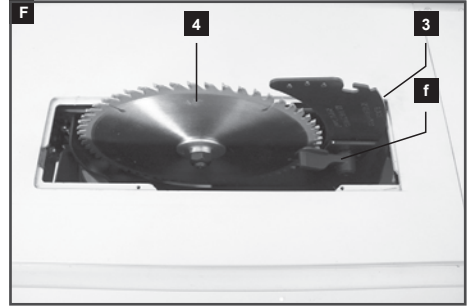
Uyarı! Şebeke kablosunu ayırın! Bıçak kaması (3) ayarı her kullanımdan önce kontrol edilmelidir.

1. Testere bıçağını (4) maksimum kesme derinliğine ayarlayın, 0° konumuna getirin ve kilitleyin.
2. Kesme kanalı plakasını (20) çıkartın (Şekil E).

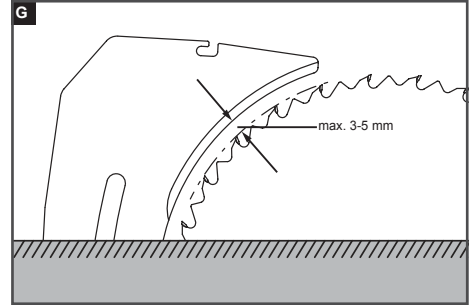


Uyarı! Nakliye sebeplerinden dolayı, bıçak kaması (3), ilk kez devreye sokulmadan önce alt konumda sabitlenmiştir. Makineyi, bıçak kaması (3) sadece üst konumda olduğunda çalıştırın. Bıçak kamasını (3) aşağıdaki talimatlara göre üst konuma getirin:

3. Kilitleme kolunu (f) gevşetin ve bıçak kamasını (3) üst konuma itin (Şekil F).



4. Testere bıçağı (4) dişi ile bıçak kaması arasındaki boşluk yaklaşık 3-5 mm olmalıdır (Şekil G)



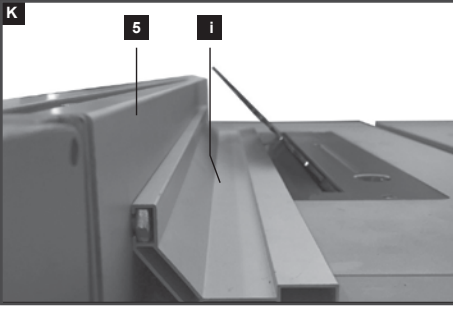
5. Kilitleme kolunu (f) sıkın ve kesme kanalı plakasını (20) sabitleyin.



Uyarı! Aletin güç kaynağından ayrıldığından emin olun. Aleti kesme kanalı plakası olmadan asla çalıştırmayın. Aşındığında veya hasar gördüğünde kesme kanalı plakasını derhal değiştirin.

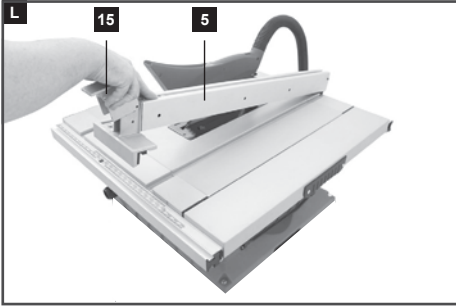
Bıçak muhafazasının montajı (Şekil H)

1. Testere bıçağı muhafazasını (2) bıçak kamasına (3) civata (g) ile bağlayın.
2. Arka emme hortumu (h) bıçak muhafazası (2) üzerindeki toz atma adaptörüne takın.
3. Sökme ters sırada gerçekleşir.



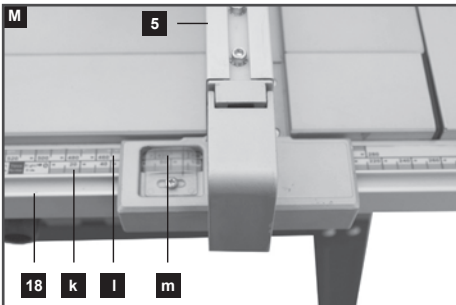
Yarık siperliğin takılması (Şekil K)

- Yarık siperliğini (5), arkaya yerleştirerek ve kilitleme kolunu (15) aşağı çekerek sabitleyin.
- Çıkartmak için, kilitleme kolunu yukarıya kaldırın ve yarık siperliğini (5) çıkartın.
- Yarık siperliği, arka tırtıklı somun ile ayarlanarak kilitlenebilir.



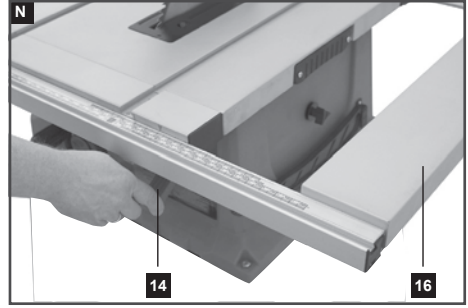
Kesme genişliğinin ayarlanması (Şekil M)

- Ahşabın boyuna kesim için yarık siperliği (5) kullanılır.
- Yarık siperliğini (5) kılavuz rayına (18), testere bıçağının sağında veya solunda yerleştirin.
- Kılavuz rayında (18) siperlik rayı (i) ile testere bıçağı (4) arasındaki boşluğu gösteren iki ölçek (k ve l) vardır.
- Yarık siperliğini (5) kontrol penceresinden (m) gerekli ölçülere ayarlayın ve siperlik kilitleme kolunu kullanarak sabitleyin.



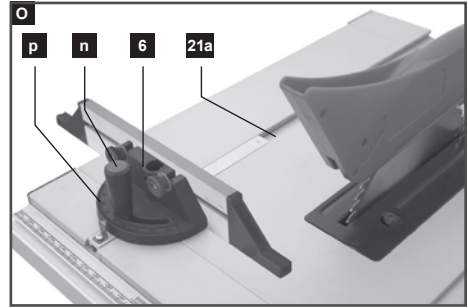
Uzatma tablası (Şekil N)

- Geniş iş parçaları keserken tezgah genişliği uzantısı (16) kullanılabilir.
- Kilitleme kolunu (14) gevşetin ve tezgah uzantısını dışarı çekin.



Gönye stobu (Şekil O)

- Gönye ölçüğünü (6) testere tezgahı üzerindeki oyuğa (21 a/b) sokun.
- Kilitleme kolunu (n) gevşetin.
- Gönye ölçüğünü (6), gerekli açığa ulaşılana kadar çevirin. Ayarlanmış açı göstergesi (p) üzerinde bulunacaktır.
- Kilitleme kolunu (p) yeniden sıkın.



KULLANIM

Çalışma talimatları

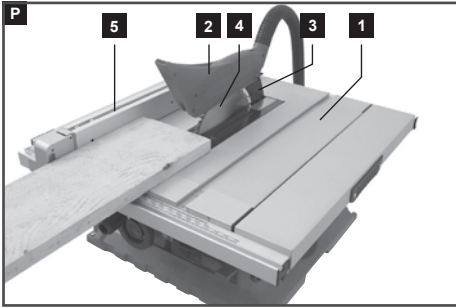
Her yeni ayarlardan sonra, ayarlanan boyutları kontrol etmek için bir deneme kesimi yapılması önerilir. Testereyi çalıştırdıktan sonra ve kesim işlemine başlamadan önce bıçağın maksimum dönüş hızına ulaşmasını bekleyin.

Uzun iş parçasını, kesim sonunda düşmesini için destekleyin (örn. silindirik destek ile). Kesime başlarken çok dikkatli olun! Makineyi asla toz atma sistemi olmadan kullanmayın. Emme kanallarını düzenli olarak kontrol edin ve temizleyin.

Boyuna kesimlerinin yapılması (Şekil P)

Boyuna kesim (uzunlamasına kesim olarak ta bilinir), tahta parçasını damar boyunca kesimidir. İş parçasının bir kenarını yarık siperliğine (5) düz tarafını testere tezgahına (1) dayanın. Bıçak muhafazası (2) daima iş parçası üzerine indirilmelidir. Uzunlamasına kesim yaptığınızda, kesme yönüyle aynı hizada olan çalışma konumu asla seçmeyin.

- Yarık siperliğini (5) iş parçasının yüksekliğine ve istenilen genişliğe göre ayarlayın.
- Testereyi çalıştırın.
- Ellerinizi (parmakları kapalıyken) iş parçasına düz olarak yerleştirin ve iş parçasını yarık siperliğin boyunca bıçağa (4) itin.
- Sağ veya sol elinizle yan taraftan (yarık siperliğin konumuna bağlı olarak) ancak bıçak muhafazası ön kenarı (2) ile aynı hizada yönlendirin.
- İş parçasını daima bıçak kamasının (3) sonuna kadar itin.
- Kesilmiş parça, bıçak (4) bekleme konumuna geri gelene kadar testere tezgahı (1) üzerinde kalır.
- Uzun iş parçasını, kesim sonunda düşmemesi için destekleyin (örn. silindirik destek ile).



Uyarı: (Şekil Q)

- Küçük iş parçalarında yarık açarken daima bir itme çubuğunu kullanın (Şekil Q).
- Çok küçük parçaları kesmeye çalışmayın.



Çapraz kesme

- Gönye ölççeğini (6) 0 derecede sabitleyin
- Zıvana açısını 0 derecede ayarlayın
- Testere bıçağının (4) yüksekliğini ayarlayın
- İş parçasını tezgahta (1) düz bir şekilde ve kesme kılavuzuna dayarak yerleştirin. İş parçasını bıçaktan uzakta tutun.
- Her iki elinizi bıçağın hareket yolundan uzakta tutun.
- Aleti çalıştırın ve testere bıçağının tam hıza ulaşmasını bekleyin.
- İş parçasını kesme kılavuzuna sıkıca bastırarak iş parçasını, üst bıçak muhafazası altına gelene kadar iş parçasını kesme kılavuzu ile birlikte yavaşça hareket ettirin. Dişlerin kesmesine izin verin ve iş parçasını testere bıçağı altında zorlamayın. Testere bıçağı hızı sabit tutulmalıdır.

Kesmeyi tamamladıktan sonra aleti kapatın, testere bıçağının durmasına izin verin ve iş parçasını çıkarmın

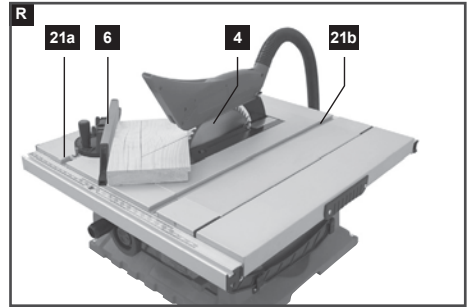
- Kesimi yapmak için iş parçasını bıçağa doğru itin.

Önemli: İş parçasını kesme tarafından asla itmeyin veya tutmayın.

Zıvanalı kesimler (Şekil R)

Zıvanalı kesimler her zaman yarık siperliğin (5) kullanılmasıyla yapılmalıdır.

- Bıçağı (4) istediğiniz eğim açısında ayarlayın.
- İşe, çapraz kesim gibi devam edin.

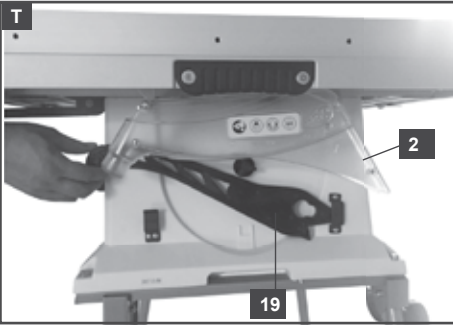
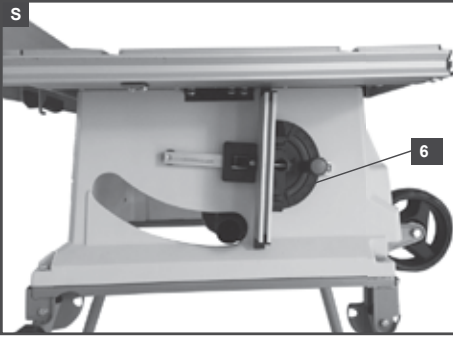


Yonga levhaların kesilmesi

Yonga levha ile çalışırken kesilen kenarların çatlamasını önlemek için, testere bıçağı iş parçasının kalınlığından daha yüksek olmalıdır.

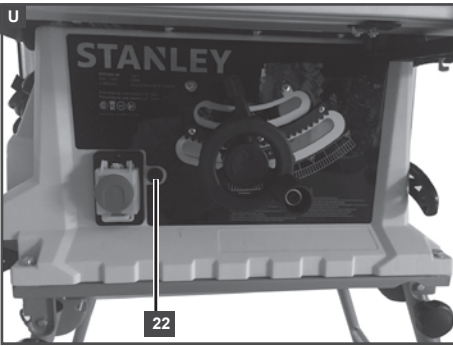
Yardımcı aletlerin saklanması (Şekil S, T)

Yardımcı aletler alet üzerinde saklanabilirler. Gönye ölççeği (6) Şekil S'te gösterildiği gibi kanca üzerine takılabilir. Bıçak muhafazası (2) ve itme çubuğu (19) Şekil T'te gösterildiği gibi kanca üzerine takılabilir.



Bıçak sıkışması (Şekil U)

- Aletin güç kaynağından ayrıldığından emin olun.
- İlk olarak iş parçasını çıkartın. Uyarı: Ellerinizin bıçak altına girmemesine özen gösterin.
- Aşırı yük koruma düğmesine (22) basın, aleti güç kaynağına bağlayın ve alet çalışmasını devam edecektir. (Şekil U)



UYGULAMALAR

1. Çentiğin ölçme hattının kullanılmayan tarafında yapıldığından emin olun.
2. Ahşabı üst yüzeyi yukarı bakacak şekilde kesin.

3. Ahşap bıçaktan çıkarken daima uygun bir şekilde desteklenmelidir.
4. Önemli kesimlerden önce deneme kesimi yapın.
5. Her zaman doğru ayarlanmış kesim derinliğini kullanın. Bıçak diş ucu kesilen malzeme üstünden 1/8" (3 mm) - 1/4" (6 mm) arası taşmalıdır.
6. Kesim başlamadan önce iş parçasında düğüm veya çivi olup olmadığını kontrol edin. Herhangi bir gevşek düğümü çekiç yardımıyla çıkarın.
7. Her zaman temiz, keskin ve doğru bir şekilde ayarlanmış bıçakları kullanın. Kesme için hiçbir zaman kör bıçağı kullanmayın.
8. Kesim yaparken sabit ve eşit bir basınç uygulayın. Kesimi asla zorlamayın.
9. Nemli veya çarpık kereste KESMEYİN.
10. İş parçasını her zaman iki elle tutun ve itme çubuğunu kullanın.

ALETLERİ ÖZENLE KULLANIN

Ayarlamalardan, tamiratlardan ve bakım faaliyetlerinden önce aletin fişini prizden çıkartın. Daha iyi ve daha güvenli bir performans alabilmek için aletleri keskin ve temiz tutun. Aletin kablolarını düzenli aralıklarla inceleyin ve hasarlı ise, yetkili serviste tamir ettirin. Elektrikli aletiniz ek bir yağlama veya bakım gerektirmemektedir. Elektrikli aletin içinde bakımı kullanıcı tarafından yapılabilecek herhangi bir parça yoktur. Elektrikli aletinizi temizlemek için asla su veya kimyasal temizleyicileri kullanmayın. Aleti kuru bir bezle temizleyin. Elektrikli aletinizi daima kuru bir yerde saklayın. Motor havalandırma deliklerini temiz tutun. Tüm çalışma kontrollerini tozdan uzak tutun. Havalandırma deliklerinde ara sıra yanıp sönen kıvılcımları görüyorsanız, bu normaldir ve elektrikli aletinize zarar vermez. Elektrik kablosu hasarlı ise, bir tehlike oluşmasını önlemek için üretici ya da yetkili Servis Merkezi tarafından değiştirilmelidir.



Önemli! Alet EMNİYET GÜVENLİĞİ ve GÜVENİLİRLİK için bu kılavuzda belirtilenler dışında tamir, bakım ve ayarlamaların her zaman orijinal yedek parça kullanılarak, yetkili servisler tarafından yapılması gerekmektedir.

AKSESUARLAR

Aksesuarları, aletinizi aldığınız mağazadan satın almanızı öneririz. İyi bilinen bir marka ile işaretlenmiş kaliteli aksesuarları kullanın. Taahhüt etmek istediğiniz işe göre türünü seçin. Daha fazla ayrıntı için aksesuar ambalajına bakın. Mağaza personeli size yardımcı olabilir ve yararlı tavsiye verebilir.

Çevrenin korunması



Ayrı olarak atın. Bu ürün, normal evsel atıklarla birlikte atılmamalıdır.

STANLEY ürününüzün değiştirilmesi gerektiğini düşünmeniz veya artık kullanılamaz durumda olması halinde onu, evsel atıklarla birlikte atmayın. Bu ürünü, ayrı olarak toplanacak şekilde atın.



STANLEY, hizmet ömrünün sonuna ulaşan STANLEY ürünlerinin toplanması ve geri dönüşüme sokulması için bir imkân sunmaktadır. Bu hizmetin avantajlarından faydalanmak için, lütfen, ürününüzü bizim adımıza teslim edecek herhangi bir yetkili servise iade edin.

Bu kılavuzda belirtilen listeden size en yakın STANLEY yetkili tamir servisinin yerini öğrenebilirsiniz. Ya da, alternatif olarak internet'ten STANLEY yetkili tamir servislerinin listesini ve satış sonrası hizmetlerimizle ilgili tüm bilgiler ve temas bilgilerine aşağıdaki siteden ulaşabilirsiniz. www.2helpU.com

Notlar

STANLEY olarak, ürünlerimizi sürekli iyileştirme politikası uyguladığımızdan, önceden haber vermeden ürün özelliklerini değiştirme hakkını saklı tutarız.

Standart ekipman ve aksesuarlar ülkeye göre değişebilir.

Ürün özellikleri ülkelere göre farklı olabilir.

Komple ürün çeşidi tüm ülkelerde geçerli olmayabilir. Ürün çeşidi durumu hakkında lütfen en yakın STANLEY yetkili servisiyle temas kurun.

TEKNİK ÖZELLİKLERİ

Tezgah Tipi Testere	SST1800	
Voltaj	V	220-240
Frekans	Hz	50/60
Giriş gücü	W	1800
Yüksüz hızı	dev/dak.	4800
Bıçak çapı	mm	254
Bıçak göbük çapı	mm	30
Bıçak kalınlığı	mm	2,5
Tezgah boyutu	mm	640x640
45°de maks. kesme derinliği	mm	50
90°de maks. kesme derinliği	mm	80
Bıçak zıvana kapasitesi		0 - 45°
Ağırlık	kg	35

Ses Değerleri

Aşağıdakine göre belirlenen toplam ses değerleri

EN 61029'e göre ses basıncı düzeyi:

Ses basıncı düzeyi	87,5 dB(A)
Belirsizlik KpA	3 dB
Akustik güç düzeyi L _{WA}	103,5 dB(A)
Belirsizlik K _{WA}	3 dB

Servis bilgileri

STANLEY kendisine ait servis merkezleri ve/veya yetkili servisleriyle tam bir ağ sunmaktadır. Tüm STANLEY Servis Merkezleri müşterilere etkili ve güvenilir elektrikli el aleti hizmeti sunmak için eğitilmiş personel ile donatılmıştır. Eğer teknik danışmanlık, onarım veya orijinal fabrika yedek parçası ihtiyacınız varsa, size en yakın STANLEY merkezine başvurun.

AT Uygunluk Beyanati
MAKİNE DİREKTİFİ**SST1800 – Tezgah Tipi Testere**

STANLEY, «teknik özellikleri» bölümünde açıklanan bu ürünlerin aşağıda belirtilen yönergelere uygun olduğunu beyan eder: 2006/42/EC, EN 61029-1: 2009+A11:2010 ve EN 61029-2-1: 2012.

Bu ürünler ayrıca 2004/108/EC, 2014/30/EU ve 2011/65/EU Direktiflerine de uygundur.

Daha fazla bilgi için, lütfen aşağıdaki adresten STANLEY ile irtibata geçin veya kılavuzun arkasına bakın. Bu belge altında imzası bulunan yetkili, teknik dosyanın derlenmesinden sorumludur ve bu beyanı STANLEY adına vermiştir.

R.Laverick

Mühendislik Bölümü Müdürü
STANLEY Europe, Egide Walschaertsstraat 14-18,
2800 Mechelen, Belçika
07.2017

İki yıl garanti

Sahip olduğunuz STANLEY ürünü satın alma tarihinden itibaren 24 ay içinde hatalı malzeme veya işçilik nedeniyle bozulursa, STANLEY aşağıdaki şartlara uyulması koşuluyla ücretsiz olarak tüm kusurlu parçaların yenilenmesini veya -kendi inisiyatifine bağlı olarak- satın alınan ürünün değiştirilmesini garanti eder:

- Ürün, hatalı kullanılmamış kullanım kılavuzuna uygun kullanılmıştır.
- Ürün yıpranmamış, hırpalanmamış ve aşınmamıştır;
- Yetkili olmayan kişilerce tamire çalışılmamıştır.
- Satın alma belgesi (fatura) ibraz edilmiştir;
- STANLEY ürünü, tüm orijinal parçaları ile birlikte iade edilmiştir;
- Ürün kiralama amacıyla kullanılmamıştır.

Garanti talebinde bulunmak için, lütfen satıcıyla irtibata geçin veya STANLEY katalogunda belirtilen size en yakın STANLEY yetkili satıcı adresini kontrol edin veya ürünün kılavuzunda belirtilen adresteki yerel STANLEY yetkili tamir servisi ile temas kurun. İnternet'ten STANLEY yetkili tamir servislerinin listesine ve satış sonrası hizmetlerimizle ilgili tüm bilgilerine aşağıdaki siteden ulaşabilirsiniz: www.2helpU.com

Sanayi ve Ticaret Bakanlığı tebliğince kullanım ömrü 7 yıldır.

Türkiye Distribütörü

STANLEY BLACK&DECKER TURKEY ALET ÜRETİM SAN.
TIC. LTD.STİ.

Kozyatağı Mh Değirmen Sk. Nida Kule

No:18 Kat:6 34742 Kadıköy İstanbul

Tel : (0216) 665 29 00

Faks : (0216) 665 29 01

E-posta: info-tr@sbdinc.com

Назначение


Ваша настольная пила STANLEY SST1800 предназначена для продольного и поперечного распила всех видов древесины, соизмеримых с размерами станка. Данный инструмент предназначен для профессионального использования.

ИНСТРУКЦИИ ПО ТЕХНИКЕ БЕЗОПАСНОСТИ

ВНИМАНИЕ! При использовании электрических инструментов соблюдение правил по технике безопасности и следование данным инструкциям позволит снизить вероятность возникновения пожара, поражения электрическим током и получения травм.

Перед использованием данного электроинструмента внимательно прочтите настоящие инструкции и сохраните их для последующего использования.

Общие правила безопасности при работе с электроинструментами

 **ВНИМАНИЕ!** Внимательно прочтите все инструкции по безопасности и руководство по эксплуатации. Несоблюдение всех перечисленных ниже правил безопасности и инструкций может привести к поражению электрическим током, возникновению пожара и/или получению тяжелой травмы.

Сохраните все инструкции по безопасности и руководство по эксплуатации для их дальнейшего использования. Термин «Электроинструмент» во всех приведённых ниже указаниях относится к Вашему сетевому (с кабелем) или аккумуляторному (беспроводному) электроинструменту.

1. Безопасность рабочего места

- a. **Содержите рабочее место в чистоте и хорошо освещённым.** Беспорядок на рабочем месте или отсутствие освещения рабочего места может привести к аварии.
- b. **Не работайте с электроинструментом в месте хранения взрывоопасных материалов, например, в присутствии огнеопасных жидкостей, газов или пыли.** Электрические инструменты создают искры, которые могут воспламенить пыль или пары.
- c. **Дети и посторонние лица должны находиться как можно дальше во время работы с электроинструментом.** Вы можете отвлечься и потерять контроль.

2. Электробезопасность

- a. **Вилка электроинструмента должна соответствовать розетке. Никогда не модифицируйте вилку каким-либо образом. Не используйте никакие вилки-переходники с заземленными (замкнутыми на землю) электроинструментами. Вилки и розетки, которые не подвергались никаким изменениям снижают риск поражения электрическим током.**

- b. **Избегайте контакта тела с заземленными поверхностями, такими как трубы, радиаторы, плиты и холодильники.** Существует повышенный риск поражения электрическим током, если ваше тело заземлено.
- c. **Избегайте любого воздействия дождя или влаги на электроинструменты.** Вода, попавшая в электроинструмент, увеличивает риск поражения электрическим током.
- d. **Аккуратно обращайтесь со шнуром питания. Никогда не используйте шнур питания для переноски, перемещения или извлечения вилки из розетки. Держите шнур вдали от источников тепла, масла, острых краев или движущихся частей.** Поврежденные или запутанные шнуры увеличивают риск поражения электрическим током.
- e. **При работе с электроинструментом на улице, используйте удлинитель, подходящий для наружного использования.** Использование кабеля, пригодного для использования на открытом воздухе, снижает риск поражения электрическим током.
- f. **При необходимости работы с электроинструментом во влажной среде, используйте устройство защитного отключения (УЗО).** Использование УЗО снижает риск поражения электрическим током. **ПРИМЕЧАНИЕ:** Термин «устройство защитного отключения (УЗО)» может быть заменён на «аварийный прерыватель заземления» или «автоматический выключатель тока утечки».

3. Личная безопасность

- a. **Будьте внимательны, смотрите, что вы делаете, используйте здравый смысл при работе с электроинструментом. Не используйте электроинструмент, если вы устали или находитесь под влиянием наркотиков, алкоголя или лекарств.** Малейшая неосторожность при работе с электроинструментом может привести к серьезным травмам.
- b. **Используйте средства индивидуальной защиты. Всегда надевайте защитные очки. Другое защитное оборудование, включая респиратор, ботинки на нескользящей подошве, защитный шлем или средства защиты органов слуха, используемые в надлежащих условиях, уменьшат риск получения травмы.**
- c. **Для предотвращения случайного запуска, убедитесь, что переключатель находится в выключенном положении перед подключением к источнику питания и/или аккумуляторной батарее, поднятия или переноски инструмента.** Не переносите электроинструмент с пальцем на выключателе и не включайте питание на инструмент с включенным выключателем, что может привести к несчастному случаю.

- d. **Перед включением электроинструмента снимайте регулировочный или гаечный ключ.** Гаечный или регулировочный ключ, оставленный на вращающейся части электроинструмента, может привести к травме.
- e. **Не тянитесь. Сохраняйте правильную стойку и баланс все время.** Это позволяет лучше контролировать инструмент в неожиданных ситуациях.
- f. **Одевайтесь правильно. Не надевайте свободную одежду или украшения. Держите волосы, одежду и перчатки вдали от движущихся частей. Свободная одежда, украшения или длинные волосы могут попасть в движущиеся части.**
- g. **Если имеются устройства для подключения пылесборника или вытяжки, убедитесь в том, что они подсоединены и используются правильно.** Использование пылесборника снижает вероятность возникновения рисков, связанных с пылью.
4. **Использование и уход за электроинструментом**
- a. **Не перегружайте электроинструмент. Используйте подходящий электрический инструмент для соответствующего применения.** Правильно подобранный электроинструмент позволит выполнить работу лучше и безопаснее при скорости, для которой он был разработан.
- b. **Не используйте электроинструмент, если переключатель не может его включить и выключить.** Любой электроинструмент, который нельзя контролировать с помощью переключателя, опасен и должен быть отремонтирован.
- c. **Отключите кабель питания от источника питания и/или аккумуляторный блок от электрического инструмента перед выполнением любых регулировок, замены принадлежностей или при хранении электроинструмента.** Такие профилактические меры безопасности уменьшают риск непреднамеренного запуска электрического инструмента.
- d. **Храните неиспользуемые электроинструменты в недоступном для детей месте и не позволяйте лицам, не знакомым с электроинструментом или данными инструкциями, работать с электроинструментом.** Электроинструменты опасны в руках неопытных пользователей.
- e. **Поддержание электроинструмента. Проверяйте разрегулированность или соединения подвижных частей, поломки частей и любые другие условия, которые могут повлиять на работу электроинструмента. При наличии повреждения, отремонтируйте электроинструмент перед использованием.** Многие несчастные случаи являются следствием плохого ухода за электроинструментом.
- f. **Держите режущий инструмент острым и чистым.** Хорошо ухоженный режущий инструмент с острыми режущими кромками легче контролировать.
- g. **Используйте электроинструмент, принадлежности, насадки и т.д. в соответствии с этими инструкциями, принимая во внимание рабочие условия и характер выполняемой работы** Использование электроинструмента иным

способом может привести к опасным ситуациям.

5. Обслуживание

- a. **Обеспечьте, чтобы обслуживание и ремонт вашего электроинструмента проводился в авторизованном сервисном центре по ремонту с использованием только оригинальных запасных частей.** Это станет гарантией безопасности электроинструмента.

ПРАВИЛА БЕЗОПАСНОСТИ ПРИ РАБОТЕ НАСТОЛЬНЫМИ ПИЛАМИ



Внимание! Несоблюдение данных правил может привести к получению тяжёлой травмы.

- **НЕ ИСПОЛЬЗУЙТЕ ДАННЫЙ ИНСТРУМЕНТ**, пока он не будет полностью собран и установлен в соответствии с данными инструкциями.
- Если у Вас недостаточный опыт для работы с данным инструментом, **ПОЛУЧИТЕ КОНСУЛЬТАЦИЮ** квалифицированного специалиста.
- **УЧИТЫВАЙТЕ ВСЕ КОДЫ ПРОВодКИ** и следуйте рекомендациям по подключению к источнику питания.
- **ВСЕГДА ИСПОЛЬЗУЙТЕ ЗАЩИТНЫЕ КОЖУХИ.** Убедитесь, что они установлены на место, надёжно закреплены и функционируют должным образом.
- **ВСЕГДА ИСПОЛЬЗУЙТЕ ЗАЩИТНЫЕ КОЖУХИ И РАСКЛИНИВАЮЩИЙ НОЖ.**
- **УДАЛЯЙТЕ ВСЕ ОБРЕЗКИ МАТЕРИАЛА** со стола, перед тем как запустить пилу. Вибрация станка может переместить под пильный диск, которым они будут отброшены в сторону. После завершения реза выключайте станок. Удаляйте мусор и обрезки только после того, как пильный диск полностью остановится.
- **НИКОГДА НЕ ЗАПУСКАЙТЕ СТАНОК** с заготовкой, прижатой к пильному диску.
- **НИКОГДА** не ведите заготовку между направляющей и пильной головкой.
- **РАСПИЛ ЗАГОТОВКИ БЕЗ ИСПОЛЬЗОВАНИЯ ПРОДОЛЬНОЙ НАПРАВЛЯЮЩЕЙ ИЛИ УГЛОВОГО УПОРА НАЗЫВАЕТСЯ РАСПИЛОМ «ОТ РУКИ».** **НИКОГДА** не выполняйте распилов «от руки». Всегда используйте продольную направляющую или угловой упор для расположения и подачи заготовки.
- **УДЕРЖИВАЙТЕ ЗАГОТОВКУ ВПЛОТНУЮ** к продольной направляющей или угловому упору.
- **РАСПИЛ СКВОЗЬ ТОЛЩУ ВСЕЙ ЗАГОТОВКИ НАЗЫВАЕТСЯ «СКВОЗНЫМ ПРОПИЛОМ».** Продольный и поперечный пропилов являются сквозными пропилами. Распил вдоль волокон древесины (или вдоль длины заготовки) называется продольным пропилом. Распил поперёк волокон древесины (или поперёк заготовки) называется поперечным пропилом. При продольном пропиле используйте продольную направляющую или систему направляющих. **НЕ ИСПОЛЬЗУЙТЕ** продольную направляющую или систему направляющих при продольном пропиле. Вместо этого используйте угловой упор. **ИСПОЛЬЗУЙТЕ ТОЛКАТЕЛЬ (ТОЛКАТЕЛИ)** при продольном распиле заготовки.

- **ИЗБЕГАЙТЕ СЛОЖНЫХ ОПЕРАЦИЙ И ПОЛОЖЕНИЙ РУК**, при которых случайное движение может стать причиной попадания руки под пильный диск.
- **ДЕРЖИТЕ РУКИ, ЛАДОНИ И ПАЛЬЦЫ НА РАССТОЯНИИ ПИЛЬНОГО ДИСКА.**
- **НИКОГДА** не стойте и не держите какую-либо часть тела на линии прохода пильного диска.
- **НИКОГДА НЕ ПЫТАЙТЕСЬ ДОТЯНУТЬСЯ ДО ЧЕГО-ЛИБО ВБЛИЗИ ИЛИ НАД** вращающимся пильным диском.
- **НИКОГДА** не пытайтесь освободить застрявший пильный диск, не выключив станок.
- **ПРАВИЛЬНО ПОДДЕРЖИВАЙТЕ ДЛИННЫЕ ИЛИ ШИРОКИЕ** заготовки.
- **НИКОГДА НЕ ПЕРЕМЕЩАЙТЕ ДЕТАЛИ** и не выполняйте сборку или регулировку на столе/в рабочей зоне при работающем станке.
- **ВЫКЛЮЧАЙТЕ СТАНОК И ОТСОЕДИНЯЙТЕ ЕГО ОТ ИСТОЧНИКА ЭЛЕКТРОПИТАНИЯ**, прежде чем устанавливать и демонтировать принадлежности, выполнять или изменять настройки, а также перед проведением ремонта.
- **ВЫКЛЮЧАТЕ СТАНОК**, отсоединяйте его от источника питания и очищайте стол/рабочую зону от обрезков, прежде чем оставить станок без присмотра. **ПЕРЕВЕДИТЕ ПУСКОВОЙ ВЫКЛЮЧАТЕЛЬ В ПОЛОЖЕНИЕ «ВЫКЛЮЧЕНО».**
- Для подачи заготовки под пильный диск используйте толкатель или толкающий блок
- Используйте и правильно отрегулируйте верхний защитный кожух пильного диска
- Не используйте повреждённые или деформированные пильные диски
- Используйте только рекомендованные пильные диски, соответствующие EN847-1.
- При смене пильного диска убедитесь, что ширина реза пильного диска не менее толщины расклинивающего ножа, а толщина корпуса пильного диска превышает толщину расклинивающего ножа.
- Используйте пильные диски, соответствующие типу разрезаемого материала.
- Используйте соответствующие средства индивидуальной защиты, включая:
 - защитные наушники для снижения риска потери слуха;
 - защитные очки;
 - респиратор для снижения риска вдыхания опасной для здоровья пыли;
 - защитные перчатки для работы с пильными дисками и заготовками из грубого материала (по возможности храните пильные диски в футлярах)
- При распиловке древесины подсоединяйте устройство пылеудаления
- Не используйте диски из быстрорежущей инструментальной стали (HS)
- Не выполняйте пазы и фальцы без соответствующего

защитного ограждения, например, туннельного ограждения, установленного на настольную пилу;

- Не используйте пилу для прорезания канавок
- Используйте только пильные диски, максимальная скорость которых не ниже максимальной скорости шпинделя инструмента и разрезаемого материала.

Примечание: Напряжение сети: Перед подключением к сети необходимо проверить, совпадает ли напряжение сети с напряжением Вашего электроинструмента. Если напряжение сети превышает напряжение, указанное на электроинструменте, оператор может получить тяжёлую травму в результате несчастного случая, а инструмент может быть повреждён. Если же напряжение сети ниже напряжения, требуемого инструментом, это может привести к повреждению двигателя. Таким образом, если проверить напряжение не представляется возможным, запрещается подключать инструмент к источнику электропитания.

ПОДКЛЮЧЕНИЕ К ИСТОЧНИКУ ПИТАНИЯ

Прежде чем подключить станок к источнику питания убедитесь, что пусковой выключатель (s) находится в положении «ВЫКЛ.», а электрический ток в розетке соответствует характеристикам, обозначенным на станке. Все подключения к линии должны обеспечивать хороший контакт. Запуск на низком напряжении повредит станок.



Опасно! Не подвергайте станок воздействию дождя и не используйте станок во влажных условиях.

Перед подключением станка к источнику электропитания убедитесь, что выключатель находится в положении «ВЫКЛ.».

ОСТАТОЧНЫЕ РИСКИ

При работе данным инструментом возможно возникновение дополнительных остаточных рисков, которые не вошли в описанные здесь правила техники безопасности. Эти риски могут возникнуть при неправильном или продолжительном использовании изделия и т.п. Несмотря на соблюдение соответствующих инструкций по технике безопасности и использование предохранительных устройств, некоторые остаточные риски невозможно полностью исключить. К ним относятся:

- Травмы в результате касания вращающихся/двигающихся частей инструмента.
- Риск получения травмы во время смены деталей или насадок.
- Риск получения травмы, связанный с продолжительным использованием инструмента. При использовании инструмента в течение продолжительного периода времени делайте регулярные перерывы в работе.

- Ухудшение слуха.
- Ущерб здоровью в результате вдыхания пыли в процессе работы с инструментом (например, при обработке древесины, в особенности, дуба, бука и ДВП).

- 1 Всасывающий шланг
- 1 Переходник для шланга
- 2 Гаечных ключ
- 1 Толкатель

БЕЗОПАСНОСТЬ ПОСТОРОННИХ ЛИЦ

- Данный инструмент не может использоваться людьми (включая детей) со сниженными физическими, сенсорными и умственными способностями или при отсутствии необходимого опыта или навыка, за исключением, если они выполняют работу под присмотром или получили инструкции относительно работы с этим инструментом от лица, отвечающего за их безопасность.
- Не позволяйте детям играть с инструментом.

ЭЛЕКТРОБЕЗОПАСНОСТЬ

Ваш инструмент должен быть заземлен. Следите за напряжением электрической сети, оно должно соответствовать величине, обозначенной на информационной табличке инструмента.



Во избежание несчастного случая замена повреждённого кабеля питания должна производиться только на заводе-изготовителе или в авторизованном сервисном центре STANLEY.

ОПИСАНИЕ (Рис. А)

Данный инструмент может содержать все или некоторые из перечисленных ниже составных частей:

1. Стол пилы
2. Защитный кожух
3. Защитный кожух
4. Пильный диск
5. Продольная направляющая
6. Угловой упор
7. Колёса для перевозки
8. Пусковой выключатель
9. Опора на ножках
10. Зажимная рукоятка установки угла наклона
11. Рукоятка подъёма диска
12. Зажимная рукоятка ножек опоры
13. Регулируемое колесо положения диска
14. Зажимной рычаг выдвижного стола
15. Зажимной рычаг продольной направляющей
16. Выдвижной стол
17. Гаечный ключ
18. Направляющая
19. Толкатель
20. Пластина для пропила
21. Паз (а)
21. Паз (b)
22. Кнопка предохранителя от перегрузки

МАРКИРОВКА ИНСТРУМЕНТА

Помимо кода даты на инструменте имеются следующие знаки:

	ВНИМАНИЕ! Полное ознакомление с руководством по эксплуатации перед использованием инструмента снизит риск получения травмы.		
	Используйте средства защиты органов слуха.		
	Надевайте защитные очки или маску.		
V	Вольт	===	Постоянный ток
A	Ампер	η ₀	Скорость без нагрузки
Hz	Герц		Конструкция Класса II
W	Ватт		Клемма заземления
min	минут		Символ опасности
	Переменный ток	/min.	Кол-во оборотов или шагов в минуту

Место положения кода даты (Рис. А)

Код даты (10), который также включает в себя год изготовления, отштампован на поверхности корпуса инструмента.

Пример:

2017 XX JN
Год изготовления

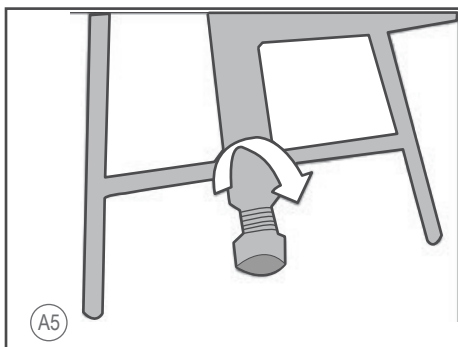
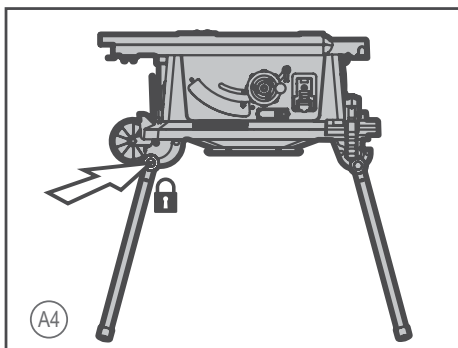
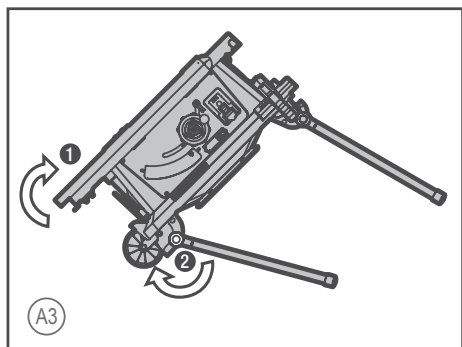
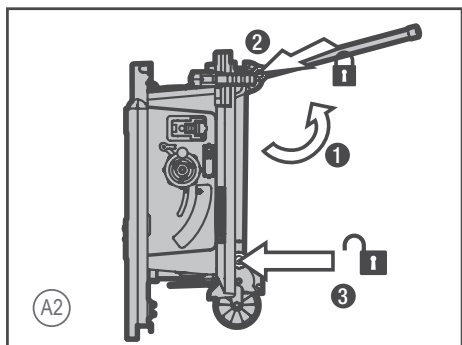
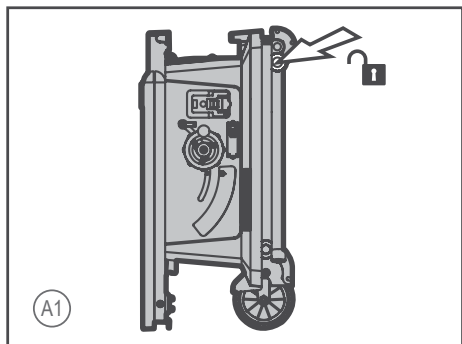
КОМПЛЕКТ ПОСТАВКИ

- 1 Настольная пила SST1800
- 1 Пильный диск 60Т
- 1 Защитный кожух пильного диска
- 1 Угловой упор
- 1 Продольная направляющая

СБОРКА (Рис. А1, А2, А3, А4)

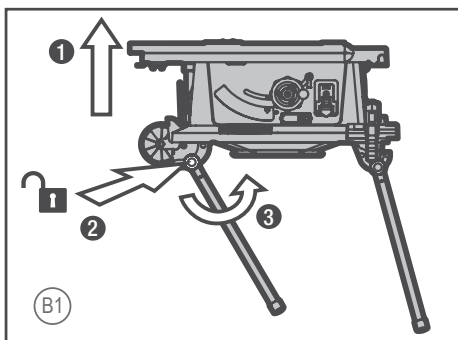
Станок имеет три положения для различных применений – положение стойки, сложенное положение и положение для транспортировки. Ножки фиксируются при помощи поворотных рукояток. Поворачивание рукояток в любую сторону фиксирует или разблокирует положение ножек, а центральное положение используется для разблокировки.

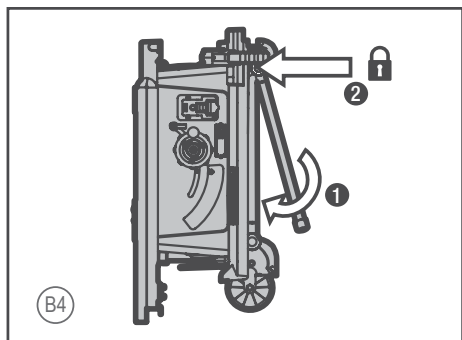
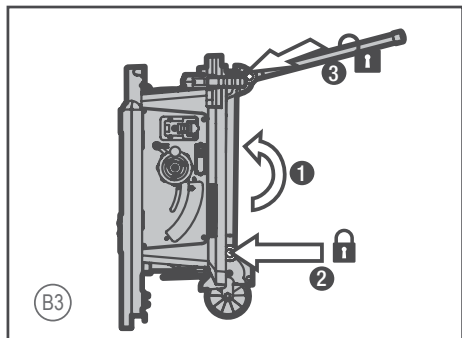
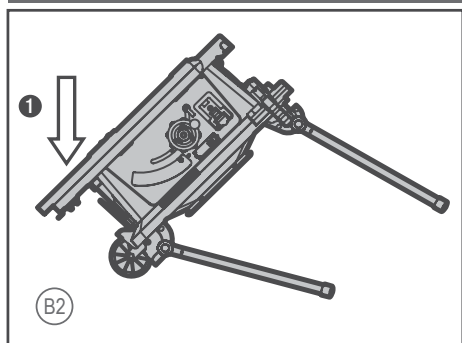
1. Поставьте пилу на колёса (A1) и разблокируйте верхние ножки. Откиньте ножки и заблокируйте их (A2), затем разблокируйте нижние ножки.
2. За один конец поднимите стол (A3), позволяя нижним ножкам откинуться на место. Полностью откиньте ножки и заблокируйте (A4).
3. На Рис. A5 изображена регулируемая пружинная ножка. Для установки нужной длины вращайте ножку по или против часовой стрелки. (A5)



УКАЗАНИЯ ПО СКЛАДЫВАНИЮ НОЖЕК (Рис. B1, B2, B3, B4)

Удерживая и поддерживая край стола, разблокируйте ножки с колёсами на конце (B1). Опустите колёса на пол, позволяя ножкам согнуться внутрь (B2). Поставьте стол набок, сложите и заблокируйте нижние ножки и разблокируйте верхние ножки (B3). Сложите ножки и заблокируйте (B4).

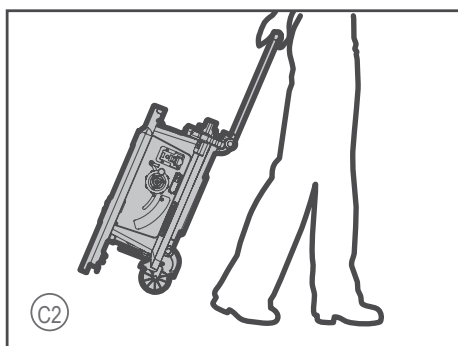
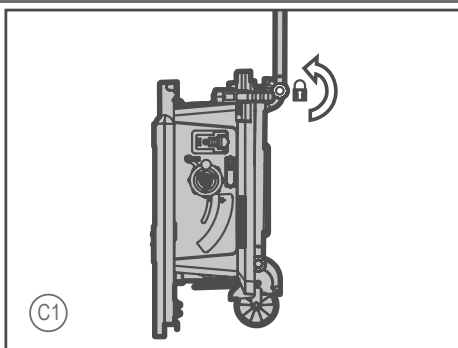




ТРАНСПОРТИРОВКА НАСТОЛЬНОЙ ПИЛЫ (Рис. C1, C2)

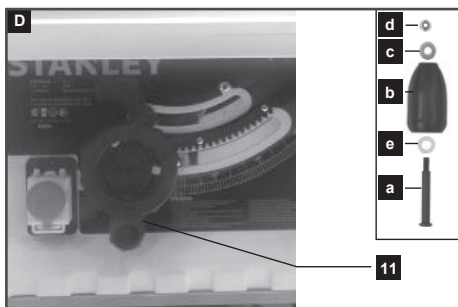
Верхние ножи могут быть заблокированы в вертикальном положении и использоваться в качестве рукоятки тележки.

ВНИМАНИЕ! Во время транспортировки убедитесь, что верхняя часть пильного диска закрыта, например, защитным кожухом.



Сборка рукоятки (Рис. D)

Чтобы собрать рукоятку (11), установите на болт (a) шайбу (e), корпус рукоятки (b), шайбу (c) и шестигранную гайку (d).

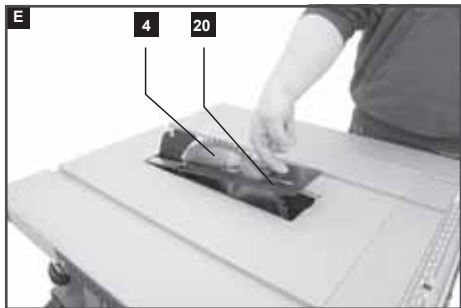


Настройка раскливающего ножа (Рис. E, F, G)



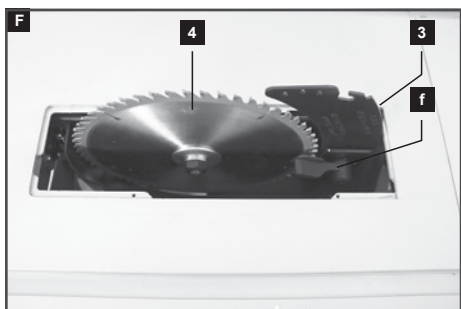
Внимание! Отсоедините кабель от источника питания! Настройка раскливающего ножа (3) должна проверяться перед каждым использованием станка.

1. Установите пильный диск (4) на максимальную глубину пропила, установите положение 0° и зафиксируйте.
2. Извлеките пластину для пропила (20) (Рис. E).

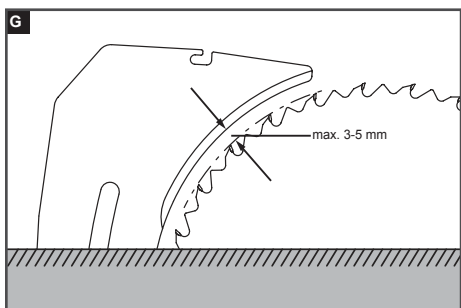


Внимание! В целях транспортировки раскливающий нож (3) перед первым вводом в эксплуатацию был зафиксирован в нижнем положении. Работайте станком только с раскливающим ножом (3), установленным в верхнее положение. Установите раскливающий нож (3) в верхнее положение, как описано ниже:

3. Ослабьте зажимную рукоятку (f) и передвиньте раскливающий нож (3) в верхнее положение (Рис. F).



4. Зазор между зубьями пильного диска (4) и раскливающим ножом должен составлять приблизительно 3-5 мм (Рис. G).



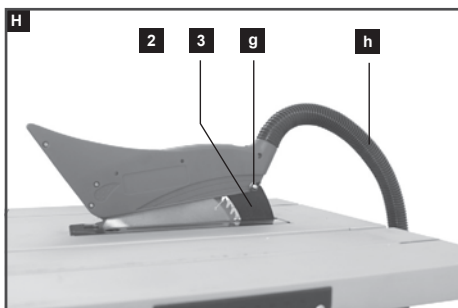
5. Затяните зажимную рукоятку (f) и установите на место пластину для пропила (20).



Внимание! Убедитесь, что инструмент отсоединён от источника питания. Запрещается использование инструмента без установленной пластины для пропила. Изношенная или повреждённая пластина для пропила подлежит немедленной замене.

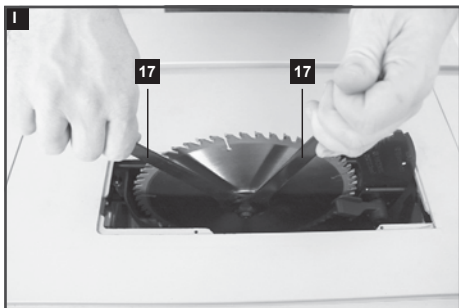
Установка защитного кожуха пильного диска (Рис. H)

1. Прикрепите защитный кожух (2) к раскливающему ножу (3) с помощью болта (g).
2. Вставьте задний всасывающий шланг (h) в переходник для подключения устройства пылеудаления, расположенный на защитном кожухе (2).
3. Снятие выполняйте в обратном порядке.



Установка/замена пильного диска (Рис. E, H, I)

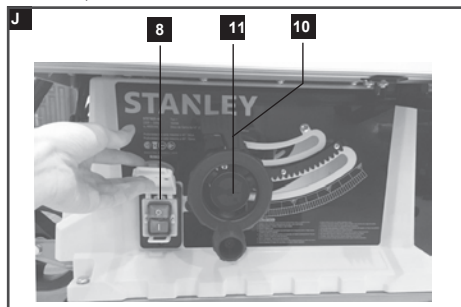
1. Внимание: Убедитесь, что инструмент отсоединён от источника питания. Наденьте защитные перчатки.
2. Снимите защитный кожух пильного диска (2) (Рис. H).
3. Извлеките пластину для пропила (20) (Рис. E).
4. Ослабьте гайку, поместив на неё один гаечный ключ (17), а другим гаечным ключом (17) удерживая фланец (Рис. I).



5. Внимание! Поворачивайте гайку в направлении вращения пильного диска.
 6. Снимите внешний фланец, затем движением по диагонали сверху вниз снимите пильный диск с внутреннего фланца.
 7. Перед установкой нового пильного диска аккуратно очистите фланец металлической щёткой.
 8. Установите новый пильный диск и закрепите внешний фланец. Внешний фланец имеет выступ Ø30 мм, в соответствии с посадочным отверстием диска.
- Внимание!** Зубья нового пильного диска очень острые и могут представлять опасность. Убедитесь, что зубья пильного диска направлены вниз, в сторону передней части распиловочного стола, в соответствии со стрелкой, обозначенной на защитном кожухе диска (2).
9. Установите на место пластину для пропила (20) и защитный кожух пильного диска (2) и отрегулируйте их.
 10. Перед началом работы проверьте рабочую способность защитного диска.

Пусковой выключатель (Рис. J)

- Чтобы включить инструмент, нажмите на зелёную кнопку запуска «I».
- Чтобы выключить инструмент, нажмите на красную кнопку останова «O».



Глубина пропила (Рис. J)

Поверните рукоятку подъёма диска (11), устанавливая диск на нужную глубину пропила.

- Чтобы увеличить глубину пропила, поворачивайте рукоятку против часовой стрелки.
- Чтобы уменьшить глубину пропила, поворачивайте рукоятку по часовой стрелке.

После каждого изменения настройки рекомендуется выполнять пробный рез в целях проверки правильности измерений.

Установка угла наклона (Рис. J)

Установите требуемый угол наклона от 0° до 45°.



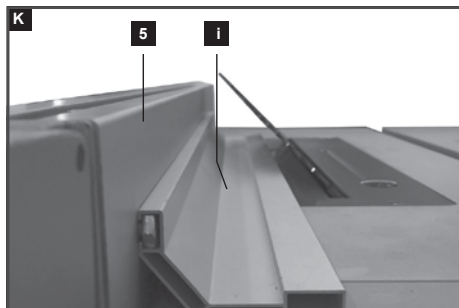
Перед началом пиления убедитесь, что столкновение поперечного упора (6) с пильным диском (4) невозможно.

- Ослабьте зажимную рукоятку установки угла наклона (10).
- Установите нужный угол реза и затяните зажимную рукоятку.

Использование продольной направляющей

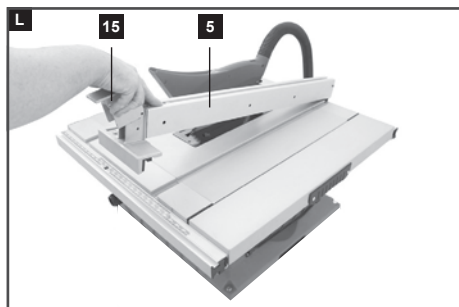
Регулировка высоты направляющей (Рис. К)

- Рельсы (i) продольной направляющей (5) имеют две направляющие поверхности различной высоты.
- В зависимости от толщины распиливаемого материала, более высокая сторона рельсов (i) должна использоваться для распиловки толстого материала (заготовок толщиной более 25 мм), а более низкая сторона рельсов направляющей должна использоваться при распиле тонкого материала (заготовок толщиной менее 25 мм).
- Для регулировки ослабьте болты на боковой стороне продольной направляющей (5) и передвиньте рельсы (i) в нужное положение.
- Затяните болты.



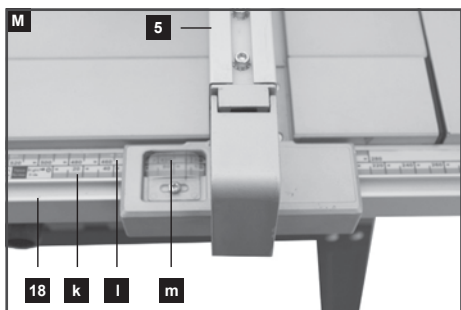
Установка продольной направляющей (Рис. L)

- Зафиксируйте продольную направляющую (5), поместив её сзади и нажав на зажимной рычаг (15).
- Для снятия, поднимите зажимной рычаг и снимите продольную направляющую (5).
- Продольная направляющая может быть отрегулирована и зафиксирована при помощи задней накатной гайки.



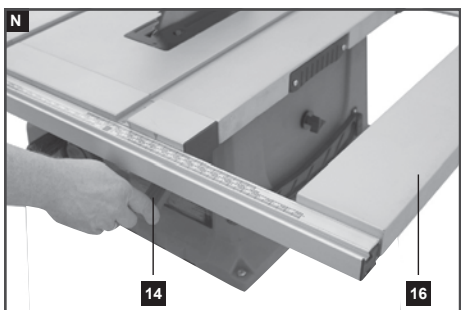
Настройка ширины пропила (Рис. М)

- Продольная направляющая (5) используется при продольном распиле древесины.
- Поместите продольную направляющую (5) на поперечную опору (18) справа или слева от пильного диска.
- На направляющей (18) имеются 2 шкалы (к и л), отображающие зазор между рельсом направляющей (i) и пильным диском (4).
- Установите продольную направляющую (5) на необходимое значение, читаемое через смотровое окошко (m) и зафиксируйте её при помощи зажимного рычага.



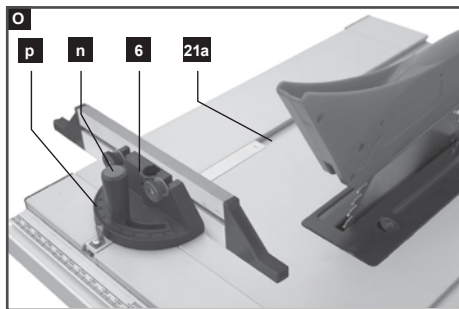
Выдвижной стол (Рис. N)

- При обработке широких заготовок может использоваться выдвижной стол (16).
- Отожмите зажимной рычаг (14) и выдвиньте стол на необходимую ширину.



Поперечный упор (Рис. O)

- Вставьте угловой упор (6) в паз (21 a/b) на столе пилы.
- Ослабьте зажимную рукоятку (п).
- Поворачивайте угловой упор (6), пока не будет достигнут нужный угол. Установленный угол отобразится на шкале (р).
- Затяните зажимную рукоятку (р).



ЭКСПЛУАТАЦИЯ

Инструкции по эксплуатации

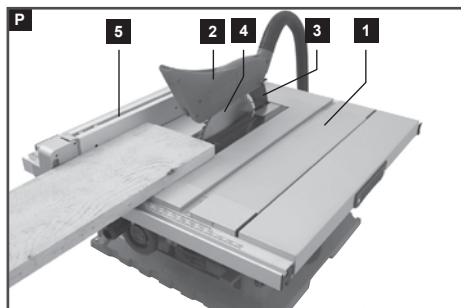
После каждого изменения настройки рекомендуется выполнять пробный рез в целях проверки правильности измерений. После включения пилы прежде чем начать рез дождитесь, пока пильный диск не достигнет своей максимальной скорости.

Поддерживайте длинные заготовки, предотвращая их падение по окончании реза (например, при помощи роликовой опоры и пр.). Будьте очень внимательны, начиная рез! Никогда не используйте инструмент без установленной системы пылеудаления. Регулярно осматривайте и прочищайте каналы пылеудаления.

Выполнение продольных распилов (Рис. P)

Продольным распилом (также известным как продольная разрезка) называется рез вдоль волокон древесины. Один край заготовки прижмите к продольной направляющей (5), а плоскую сторону заготовки расположите на пильном столе (1). Защитный кожух (2) всегда должен опускаться поверх заготовки. При выполнении продольного распила никогда не стойте на одной линии с направлением реза.

- Установите продольную направляющую (5) в соответствии с высотой заготовки и желаемой шириной.
- Включите пилу.
- Положите ладонь (с сомкнутыми пальцами) на заготовку и толкайте заготовку вдоль продольной направляющей (5) по направлению к пильному диску (4).
- Поддерживайте боковой край заготовки правой или левой рукой (в зависимости от расположения продольной направляющей), только до переднего края защитного кожуха диска (2).
- Всегда ведите заготовку до конца расклинивающего ножа (3).
- Отрезанная часть будет оставаться на пильном столе (1), пока пильный диск (4) не вернется в своё исходное положение.
- Поддерживайте длинные заготовки, предотвращая их падение по окончании реза (например, при помощи роликовой опоры и пр.).

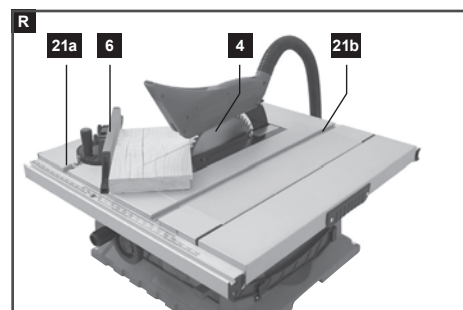
**Распил с наклоном (Рис. R)**

Резы с наклоном всегда должны выполняться с использованием продольной направляющей (5).

- Установите пильный диск (4) под нужным углом
- Далее следуйте указаниям для поперечного распила.

Предупреждение: (Рис. Q)

- При пилении коротких заготовок всегда пользуйтесь толкателем (19) (Рис. Q).
- Не пытайтесь пилить заготовки слишком маленьких размеров.

**Распил ДСП**

Чтобы не повредить режущие кромки при работе с ДСП, пильный диск должен быть расположен выше толщины заготовки.

Хранение дополнительных принадлежностей (Рис. S, T)

Дополнительные принадлежности могут храниться непосредственно на инструменте. Угловой упор (6) может быть подвешен на крючок, как изображено на Рисунке S. Защитный кожух диска (2) и толкатель (19) может быть подвешен на крючок, как изображено на Рисунке T.

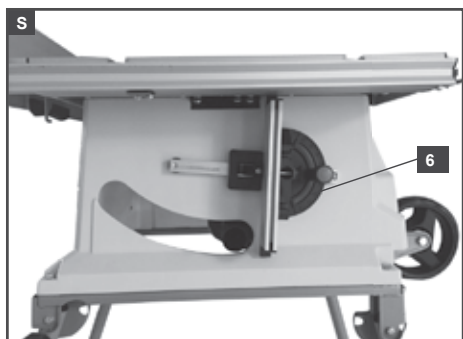
Поперечное пиление

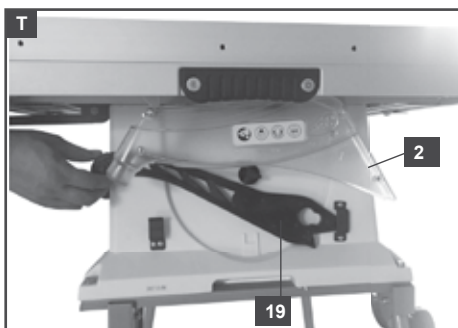
- Зафиксируйте угловой упор (6) на отметке 0°.
- Установите угол наклона 0°.
- Отрегулируйте высоту подъема пильного диска (4).
- Положите заготовку на поверхность стола (1) и прижмите к направляющей. Держите заготовку в стороне от пильного диска.
- Следите за тем, чтобы обе Ваши руки находились на безопасном расстоянии от диска.
- Включите станок и подождите, пока диск достигнет максимальных оборотов.
- Плотно прижимая заготовку к направляющей, медленно двигайте заготовку вместе с направляющей, пока заготовка не окажется под верхним защитным кожухом диска. Позвольте зубьям диска врезаться в материал и больше не прилагайте к заготовке никаких усилий. Диск должен вращаться с постоянной скоростью.

По окончании реза отпустите выключатель, дождитесь полной остановки пильного диска и удалите заготовку

- Толкайте заготовку в сторону пильного диска, делая рез.

Важно: Никогда не облокачивайте и не держитесь за отрезаемую сторону заготовки.





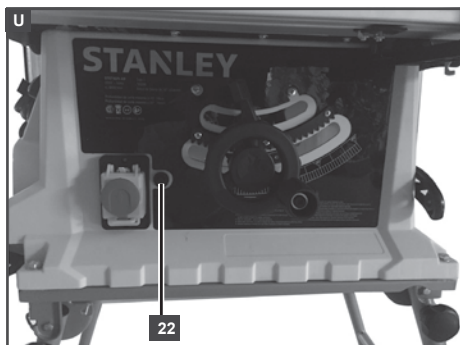
8. При выполнении реза оказывайте непрерывное и равномерное давление. Никогда не оказывайте чрезмерного давления.
9. НЕ РАСПИЛИВАЙТЕ влажную или перекошенную древесину.
10. Всегда крепко удерживайте заготовку обеими руками или используйте толкатель.

СОДЕРЖИТЕ ИНСТРУМЕНТ В ПОРЯДКЕ

Перед проведением регулировки, ремонта или технического обслуживания извлекайте вилку кабеля из розетки электросети. Содержите инструменты в хорошо заточенном и чистом состоянии, что повысит эксплуатационные показатели и сделает работу более безопасной. Регулярно осматривайте кабель инструмента, и при обнаружении повреждений сдайте его на ремонт в авторизованный сервисный центр. Ваш электроинструмент не требует дополнительной смазки или технического обслуживания. Внутри электроинструмента нет обслуживаемых пользователем деталей. Никогда не используйте воду или химические чистящие средства для чистки электроинструмента. Протирайте инструмент сухой тканью. Всегда храните электроинструмент в сухом месте. Следите, чтобы вентиляционные прорези двигателя всегда оставались чистыми. Следите, чтобы все элементы управления оставались чистыми от пыли. Появление искр через вентиляционные прорези нормально, это не повредит Ваш электроинструмент. Во избежание несчастного случая, замена повреждённого кабеля питания должна производиться только в авторизованном сервисном центре или авторизованным квалифицированным специалистом.

Заклинивание диска (Рис. U)

- Убедитесь, что инструмент отсоединён от источника питания.
- Сначала уберите заготовку. Внимание: Будьте аккуратны, чтобы не коснуться пильного диска.
- Нажмите на кнопку предохранителя от перегрузки (22), вставьте вилку инструмента в электрическую розетку, и инструмент продолжит свою работу. (Рис. U)



Важно! В целях обеспечения БЕЗОПАСНОСТИ и ДОЛГОВЕЧНОСТИ в использовании продукта ремонт, техническое обслуживание и регулировка (кроме перечисленных в данном руководстве по эксплуатации) должны производиться только в авторизованных сервисных центрах или других квалифицированных мастерских и только с использованием идентичных запасных частей.

ВЫПОЛНЕНИЕ ОПЕРАЦИЙ

1. Убедитесь, что пропил выполняется на обратной стороне заготовки по размеченной линии.
2. Распиливайте древесину с готовой стороны.
3. Обеспечьте необходимую опору для древесины, выходящей из-под пильного диска.
4. Перед выполнением важных распилов всегда делайте пробный рез.
5. Всегда используйте правильную настройку глубины пропила. Кончик зуба пильного диска должен выступать за пределы заготовки не более чем на 3-6 мм.
6. Прежде чем приступить к распилу проверьте заготовку на наличие узелков или гвоздей. Все ослабленные узелки удалите при помощи молотка.
7. Всегда используйте чистые, острые и правильно отрегулированные пильные диски. Никогда не выполняйте рез тупым пильным диском.

ДОПОЛНИТЕЛЬНЫЕ ПРИНАДЛЕЖНОСТИ

Мы рекомендуем покупать дополнительные принадлежности в том же магазине, где был куплен Ваш инструмент. Используйте дополнительные принадлежности высокого качества и хорошо известных марок. Выберите принадлежности в соответствии с работой, которую предполагается выполнять. Дополнительную информацию см. на упаковке дополнительной принадлежности. Обратитесь за помощью или советом к персоналу магазина.

Защита окружающей среды

Раздельный сбор. Данное изделие нельзя утилизировать вместе с обычными бытовыми отходами.

Если однажды Вы захотите заменить Ваш электроинструмент STANLEY, или Вы больше в нем не нуждаетесь, не выбрасывайте его вместе с бытовыми отходами. Отнесите изделие в специальный приемный пункт.



Фирма STANLEY обеспечивает прием и переработку отслуживших свой срок изделий STANLEY. Чтобы воспользоваться этой услугой, Вы можете сдать Ваше изделие в любой авторизованный сервисный центр, который собирает их по нашему поручению. Вы можете узнать место нахождения Вашего

ближайшего авторизованного сервисного центра, обратившись в Ваш местный офис STANLEY по адресу, указанному в данном руководстве по эксплуатации. Кроме того, список авторизованных сервисных центров STANLEY и полную информацию о нашем послепродажном обслуживании и контактах Вы можете найти в интернете по адресу: www.2helpU.com.

Примечания

Политика STANLEY нацелена на постоянное усовершенствование нашей продукции, поэтому фирма оставляет за собой право изменять технические характеристики изделий без предварительного уведомления.

Стандартное оборудование и дополнительные принадлежности могут меняться в зависимости от страны продаж.

Технические характеристики продуктов могут различаться в зависимости от страны продаж.

Полная линия продуктов присутствует на рынках не всех стран. Для получения информации касательно линии продуктов в Вашей стране обратитесь в ближайший сервисный центр STANLEY.

ТЕХНИЧЕСКИЕ ХАРАКТЕРИСТИКИ

Настольная пила	SST1800	
Напряжение	В	220-240
Частота	Гц	50/60
Потребляемая мощность	Вт	1800
Число оборотов без нагрузки	об/мин.	4800
Диаметр пильного диска	мм	254
Диаметр посадочного отверстия	мм	30
Толщина режущего ножа	мм	2,5
Размер стола	мм	640x640
Макс. глубина реза под углом 45°	мм	50
Макс. глубина реза под углом 90°	мм	80
Диапазон наклона диска		0-45°
Вес	кг	35

Информация по техническому обслуживанию

STANLEY имеет обширную сеть принадлежащих компании и/или авторизованных сервисных центров по всей стране. В целях предоставления клиентам эффективного и надёжного технического обслуживания электроинструментов во всех сервисных центрах STANLEY работает обученный персонал. Если Вы нуждаетесь в технической консультации, ремонте или покупке оригинальных запасных частей, обратитесь в ближайший к Вам сервисный центр STANLEY.

STANLEY

Гарантийные условия

Уважаемый покупатель!

1. Поздравляем Вас с покупкой высококачественного изделия STANLEY и выражаем признательность за Ваш выбор.

2. При покупке изделия требуйте проверки его комплектности и исправности в Вашем присутствии, инструкцию по эксплуатации и заполненный гарантийный талон на русском языке.

В гарантийном талоне должны быть внесены: модель, дата продажи, серийный номер, дата производства инструмента; название, печать и подпись торговой организации. При отсутствии у Вас правильно заполненного гарантийного талона, а также несоответствия указанных в нем данных мы будем вынуждены отклонить Ваши претензии по качеству данного изделия.

3. Во избежание недоразумений убедительно просим Вас перед началом работы с изделием внимательно ознакомиться с инструкцией по его эксплуатации. Правовой основой настоящих гарантийных условий является действующее Законодательство. Гарантийный срок на данное изделие составляет 24 месяца и исчисляется со дня продажи. В случае устранения недостатков изделия, гарантийный срок продлевается на период его нахождения в ремонте. Срок службы изделия составляет 5 лет со дня продажи.

4. В случае возникновения каких-либо проблем в процессе эксплуатации изделия рекомендуем Вам обращаться только в уполномоченные сервисные центры STANLEY, адреса и телефоны которых Вы сможете найти в гарантийном талоне, на сайте www.2helpU.com или узнать в магазине. Наши сервисные станции - это не только квалифицированный ремонт, но и широкий ассортимент запчастей и принадлежностей.

5. Производитель рекомендует проводить периодическую проверку и техническое обслуживание изделия в уполномоченных сервисных центрах.

6. Наши гарантийные обязательства распространяются только на неисправности, выявленные в течение гарантийного срока и вызванные дефектами производства и \ или материалов.

7. Гарантийные условия не распространяются на неисправности изделия, возникшие в результате:

7.1. Несоблюдения пользователем предписаний инструкции по эксплуатации изделия, применения изделия не по назначению, неправильному хранении, использовании принадлежностей, расходных материалов и запчастей, не предусмотренных производителем.

7.2. Механического повреждения (сколы, трещины и разрушения) внутренних и внешних деталей изделия, основных и вспомогательных рукояток, сетевого электрического кабеля, вызванного внешним ударным или любым иным воздействием

7.3. Попадания в вентиляционные отверстия и проникновение внутрь изделия посторонних предметов, материалов или веществ, не являющихся отходами, сопровождающими применение изделия по назначению, такими как: стружка, опилки, песок, и пр.

7.4. Воздействий на изделие неблагоприятных атмосферных и иных внешних факторов, таких как дождь, снег, повышенная влажность, нагрев, агрессивные среды, несоответствие параметров питающей электросети, указанных на инструменте.

7.5. Стихийного бедствия. Повреждение или утрата изделия, связанное с непредвиденными бедствиями, стихийными явлениями, в том числе вследствие действия непреодолимой силы (пожар, молния, потоп и другие природные явления), а так же вследствие перепадов напряжения в электросети и другими причинами, которые находятся вне контроля производителя.

8. Гарантийные условия не распространяются:

8.1. На инструменты, подвергавшиеся вскрытию, ремонту или модификации вне уполномоченного сервисного центра.

8.2. На детали и узлы, имеющие следы естественного износа, такие как: приводные ремни и колеса, угольные щетки, смазка, подшипники, зубчатое зацепление редукторов, резиновые уплотнения, сальники, направляющие ролики, муфты, выключатели, бойки, толкатели, стволы, и т.п.

8.3. На сменные части: патроны, цанги, зажимные гайки и фланцы, фильтры, аккумуляторные батареи, ножи, шлифовальные подошвы, цепи, звездочки, пыльные шины, защитные кожухи, пилки, абразивы, пыльные и абразивные диски, фрезы, сверла, буры и т.п.

8.4. На неисправности, возникшие в результате перегрузки инструмента (как механической, так и электрической), повлекшей выход из строя одновременно двух и более деталей и узлов, таких как: ротора и статора, обеих обмоток статора, ведомой и ведущей шестерни редуктора или других узлов и деталей. К безусловным признакам перегрузки изделия относятся, помимо прочего: появление цветов побежалости, деформация или оплавление деталей и узлов изделия, потемнение или обугливание изоляции проводов электродвигателя под воздействием высокой температуры.



Изготовитель

Блэк энд Деккер Холдингс ГмБХ
Германия, 65510, Идштайн,
ул. Блэк энд Деккер, 40

Призначення

Ваш циркулярний станок STANLEY SST1800 розроблений для поздовжнього і поперечного різання деревини усіх типів згідно з розмірами машини. Цей інструмент призначений для професійного використання.

Вказівки з техніки безпеки

ОБЕРЕЖНО! Для зниження ризику виникнення пожежі, ураження електричним струмом, травмування та матеріального збитку, при роботі з електричними інструментами необхідно завжди дотримуватись основних вказівок щодо безпечної роботи, включаючи наведені нижче:

Перед експлуатацією цього інструменту прочитайте цю інструкцію і збережіть її.

Загальні правила техніки безпеки під час роботи з електричним інструментом



Обережно! Уважно прочитайте всі попереджувальні написи та вказівки з техніки безпеки. Порушення попереджувальних написів і вказівок може призвести до ураження електричним струмом, пожежі та/або серйозних травм.

Зберігайте всі попереджувальні написи та вказівки щодо безпечної роботи для використання в майбутньому. Термін «електричний інструмент», що використовується у всіх застережливих написах та вказівках щодо техніки безпеки, представлених нижче, відноситься до електричного інструменту, що працює від мережі (зі шнуром електроживлення) або від акумуляторної батареї (без шнура живлення).

1. Вказівки з техніки безпеки на робочому місці

- a. **Утримуйте робоче місце в чистоті і добре освітленим.** Безлад або погане освітлення на робочому місці можуть призвести до нещасного випадку.
- b. **Не працюйте з електроінструментом в місці зберігання вибухонебезпечних матеріалів, наприклад, у присутності легкозаймистих рідин, газів або пилу.** Електричні інструменти створюють іскри, що можуть запалити пил або пари.
- c. **Забороняється перебування дітей та сторонніх осіб поблизу працюючого електричного інструменту.** Ви можете відволіктися і втратити контроль за роботою інструменту.

2. Електрична безпека

- a. **Вилка шнура живлення інструмента повинна відповідати мережевій розетці.** Забороняється вносити будь-які зміни у вилку шнура живлення. **Не використовуйте жодних вилок-перехідників із заземленими (зануленими) електроінструментами.** Відсутність змін у вилокх шнурів живлення та відповідність електричних вилок і розеток знижує ризик ураження електричним струмом.

- b. **Не торкайтеся поверхонь заземлених чи занулених предметів, наприклад труб, радіаторів, електроплит або холодильників.** Заземлення чи занулення тіла підвищує ризик ураження електричним струмом.
- c. **Забороняється піддавати електричні інструменти впливу дощу чи підвищеної вологості.** При попаданні вологи всередину електричного інструмента підвищується ризик ураження електричним струмом.
- d. **Забороняється пошкоджувати шнур живлення. У жодному разі не використовуйте шнур живлення для перенесення чи зміни положення інструмента; не тягніть за шнур, виймаючи вилку з розетки. Не прокладайте шнур живлення поруч із гарячими предметами, мастилом, гострими краями і рухомими деталями.** Пошкодження й заплутування шнурів живлення підвищує ризик ураження електричним струмом.
- e. **Під час роботи з електричним інструментом за межами приміщень використовуйте відповідний подовжувач.** Використання подовжувача, призначеного для роботи поза приміщеннями, знижує ризик ураження електричним струмом.
- f. **Якщо електричним інструментом необхідно користуватись у вологому місці, слід використовувати пристрій захисного відключення (ПЗВ) електричної мережі.** Використання ПЗВ знижує ризик ураження електричним струмом. **Примітка:** Термін «пристрій захисного відключення» (ПЗВ) може бути замінений терміном «вимикач короткого замикання на землю» (ВКЗЗ) або терміном «автоматичний вимикач витоку на землю» (АВВЗ).

3. Безпека персоналу

- a. **Під час роботи з електричним інструментом необхідно бути обачним, слідкувати за виконуваною роботою та керуватися здоровим глуздом.** Забороняється працювати з електричним інструментом у стані втоми чи під впливом наркотиків, алкоголю й лікарських препаратів. Ослаблення уваги навіть на мить може призвести до серйозної травми.
- b. **Використовуйте засоби індивідуального захисту. Завжди користуйтеся засобами захисту очей.** Використання у відповідних умовах засобів індивідуального захисту, наприклад пилозахисної маски, протиковзного захисного взуття, захисної каски або засобів захисту органів слуху, завжди знижує ризик отримання травми.
- c. **Не допускайте ненавмисного вмикання інструмента.** Перш ніж підключити джерело живлення та/або акумулятор, піднімати чи переносити інструмент, переконайтесь, що його вимикач переведено у положення «вимкнено». Якщо тримати палець на вимикачі під час перенесення інструмента чи підключення увімкненого інструмента до мережі, це підвищує ризик нещасного випадку.

- d. **Перш ніж увімкнути електричний інструмент, обов'язково вийміть із нього регулювальний чи гайковий ключ.** Ключ, залишений ключ на обертальній деталі інструмента, може призвести до травмування.
- e. **Не намагайтеся дотягнутися до важкодоступних місць.** Завжди міцно тримайтеся на ногах і зберігайте рівновагу під час роботи. Це дозволяє краще контролювати електричний інструмент у непередбачуваних ситуаціях.
- f. **Одягайте відповідний одяг. Забороняється одягати вільний одяг або прикраси.** Волосся, одяг та рукавиці повинні знаходитися на максимальній відстані від рухомих деталей інструмента. Вільний одяг, прикраси або довге волосся можуть бути захоплені рухомими деталями.
- g. **Якщо встановлені пристрої підключення засобів пиловловлювання та пилозбірників, необхідно перевіряти, щоб вони були підключені та використовувалися належним чином.** Використання цих пристроїв знижує рівень ризику, пов'язаного з пилом.

4. Використання та догляд за електричним інструментом

- a. **Не застосовуйте надмірне зусилля до електричного інструмента. Використовуйте електричний інструмент тільки за призначенням.** Правильно підібраний електроінструмент дозволить виконати роботу краще і безпечніше при швидкості, для якої він був розроблений.
- b. **Забороняється використовувати цей електричний інструмент, якщо не вдається ввімкнути чи вимкнути його вимикачем.** Будь-який електричний інструмент, роботою якого неможливо керувати за допомогою вимикача, є небезпечним, і його обов'язково потрібно відремонтувати.
- c. **Перш ніж регулювати електричний інструмент, замінювати на ньому приладдя чи класти на зберігання, необхідно витягти вилку живлення з розетки та/або зняти з нього акумулятор.** Такий превентивний захід безпеки знижує ризик випадкового увімкнення інструмента.
- d. **Зберігайте електричний інструмент, який в даний момент не використовується, в недоступному для дітей місці та не дозволяйте працювати з інструментом особам, які не знайомі з ним або з цими вказівками.** Електричний інструмент є небезпечним в руках ненавченої людини.
- e. **Підтримуйте інструмент в робочому стані.** Перевіряйте центрування та з'єднання рухомих деталей, наявність пошкоджених деталей та будь-які фактори, які можуть негативно позначитися на роботі електричного інструмента. У разі виявлення пошкодження електричний інструмент необхідно відремонтувати перед використанням. Багато нещасних випадків

трапляється через неналежне технічне обслуговування електричних інструментів.

- f. **Ріжучі інструменти мають бути загостреними й чистими.** Підтримуваний у належному робочому стані ріжучий інструмент з гострими лезами менше застряє, ним легше керувати.
- g. **Використовуйте електричний інструмент, приладдя, вставні різці і т. п. відповідно до даних вказівок, враховуючи умови експлуатації та роботу, яка має бути виконана.** Використання електричного інструменту не за призначенням може призвести до небезпечної ситуації.

5. Обслуговування

- a. **Обслуговувати електричний інструмент повинен тільки кваліфікований ремонтний персонал із використанням лише ідентичних запасних частин.** Це забезпечить утримання електричного інструмента у безпечному стані.

ПРАВИЛА ТЕХНІКИ БЕЗПЕКИ ПІД ЧАС РОБОТИ НА ЦИРКУЛЯРНИХ СТАНКАХ



Обережно! Невиконання цих правил може призвести до отримання серйозних травм.

- **ЗАБОРОНЯЄТЬСЯ РОБОТА НА ЦІЙ МАШИНІ,** поки вона не буде зібрана і встановлена згідно з інструкціями.
- Якщо ви не знайомі з роботою цієї машини, **ЗВЕРНІТЬСЯ ЗА ПОРАДОЮ ДО** кваліфікованого і досвідченого спеціаліста.
- **ДОТРИМУЙТЕСЬ МАРКУВАННЯ УСІХ ЕЛЕКТРИЧНИХ КАБЕЛІВ І ДРОТІВ** і рекомендованих електричних з'єднань.
- **ЗАВЖДИ КОРИСТУЙТЕСЬ ЗАХИСНИМИ ОГОРОДЖЕННЯМИ** Перевіряйте, щоб вони знаходились на своєму місці, були надійно закріплені і працювали належним чином.
- **ЗАВЖДИ КОРИСТУЙТЕСЬ ЗАХИСНИМИ ОГОРОДЖЕННЯМИ, РОЗКЛИНЮВАЛЬНИЙ НИЖ.**
- Перед тим, як увімкнути пилку, **ЗАБЕРІТЬ ЗІ СТОЛУ ВІДРІЗАНІ ДЕТАЛІ І ОБРІЗКИ.** Через вібрацію машини вони можуть зміститися до пильного полотна і відлетіти від станка. Після закінчення різання вимкніть машину. Після того, як пильне полотно повністю зупиниться, зметіть зі столу усі залишки.
- **ЗАБОРОНЯЄТЬСЯ ВМИКАТИ МАШИНУ,** якщо біля пильного полотна знаходиться робоча деталь.
- **ЗАБОРОНЯЄТЬСЯ** переміщувати робочу деталь між захисним зупинником і литою різальною головкою.
- **РІЗАННЯ РОБОЧОЇ ДЕТАЛІ БЕЗ ВИКОРИСТАННЯ ЗАХИСНОГО ЩИТКА ЧИ ПРИСТРОЮ ДЛЯ РІЗАННЯ ПІД КУТОМ ВІДОМО ЯК РІЗАННЯ «ГОЛИМИ РУКАМИ».** **ЗАБОРОНЯЄТЬСЯ** працювати «голими руками». Для встановлення положення і спрямування робочої деталі використовуйте захисний щиток або пристрій для різання під кутом.

- **МІЦНО ПРИТИСКАЙТЕ РОБОЧУ ДЕТАЛЬ** до пристрою для різання під кутом чи захисного щитка.
- **РОЗРІЗАННЯ РОБОЧОЇ ДЕТАЛІ НАСКРІЗЬ ВІДОМО ЯК «ПРОПИЛЮВАННЯ НАСКРІЗЬ».** Поздовжнє і поперечне різання - це операції пропилювання наскрізь. Різання вздовж волокон (або по довжині робочої деталі) є поздовжнім різанням. Різання упоперек волокон (або упоперек робочої деталі) є поперечним різанням. Для поздовжнього різання використовуйте захисний щиток або систему захисного огородження. НЕ використовуйте захисний щиток чи систему захисного огородження для поперечного різання. Замість них використовуйте пристрій для різання під кутом. Для різання робочих деталей малої ширини **ВИКОРИСТОВУЙТЕ НАПРЯМНУ ЛІНІЙКУ(И).**
- **УНИКАЙТЕ СКЛАДНИХ ДЛЯ ВИКОНАННЯ ОПЕРАЦІЙ І ПОЛОЖЕНЬ РУК,** в яких раптове проковзування робочої деталі може призвести до попадання рук в пильне полотно
- **РУКИ І ПАЛЬЦІ РУК** не повинні знаходитись поблизу пильного полотна
- **ЖОДНА** з частин вашого тіла ніколи не повинна знаходитись на одній лінії з траєкторією руху пильного полотна.
- **ЗАБОРОНЯЄТЬСЯ** підводити руки до пильного полотна з боків чи зверху.
- **ЗАБОРОНЯЄТЬСЯ** намагатись звільнити пильне полотно, якщо воно застрягло, без попереднього **ВИМКНЕННЯ** машини.
- **НАЛЕЖНИМ ЧИНОМ ЗАКРІПЛЮЙТЕ ПО ДОВЖИНИ ЧИ ПО ШИРИНІ** робочі деталі.
- **ЗАБОРОНЯЄТЬСЯ ВИКОНУВАТИ РОБОТИ З РОЗМІЧУВАННЯ,** монтажу чи налаштування на столі/робочій ділянці, коли машина працює.
- **ВИМКНІТЬ І ВІД'ЄДНАЙТЕ МАШИНУ ВІД** джерела живлення перед тим, як встановити чи зняти приладдя, виконати регулювання чи змінити налаштування, а також перед виконанням ремонтних робіт.
- **ВИМКНІТЬ МАШИНУ,** від'єднайте її від джерела живлення і очистіть стіл/робочу ділянку перед тим, як залишити машину. **ПЕРЕВЕДІТЬ ВИМИКАЧ В ПОЛОЖЕННЯ «ВИМКНЕНО».**
- Для просування робочої деталі до пильного диску використовуйте штовхачі
- Відрегулюйте і використовуйте верхній обмежувач пильного диску
- Не допускається використання пошкодженого або деформованого пильного диску.
- Використовуйте тільки рекомендовані пильні диски, які відповідають вимогам стандарту EN847-1.
- Під час заміни пильного диска переконайтесь, що розмір паза відповідає товщині ножівкового полотна, а товщина ножівкового полотна не

- більше товщини розклинюючого ножа.
- Виберіть пильний диск відповідно до матеріалу, що ріжеться.
- Використовуйте належні засоби індивідуального захисту:
 - засоби захисту органів слуху (для запобігання його погіршення);
 - засоби захисту органів зору
 - засоби захисту органів дихання (для запобігання вдихання шкідливого пилу);
 - захисні рукавиці для роботи з пильними дисками і робочими деталями (пильні диски мають переноситися у тримачах)
- Під час обробки дерева під'єднуйте пристрій для збору пилу
- Не використовуйте сталеві пильні диски для високих швидкостей обробки (HS)
- Якщо над пильним диском не встановлений належний захист, наприклад, тунельний кожух, забороняється вибірка чверті або утворення жолобів.
- Не використовуйте пильні диски для створення пазів (фальців)
- Використовуйте тільки пильні диски, максимальна допустима швидкість обертання яких не менша за максимальну швидкість обертання шпинделя і максимальну швидкість обробки матеріалу.

Примітка: Напруга в мережі: Перед тим, як під'єднати станок до електричної мережі, необхідно обов'язково перевірити, щоб напруга в мережі збігалась з напругою живлення станка. Якщо напруга в мережі перевищує значення напруги, вказане на станку, оператор може отримати серйозні травми під час роботи на станку, а сам станок може пошкодитись. З іншого боку, якщо напруга в мережі буде менше значення, необхідного для роботи станка, може пошкодитись мотор. Отже, якщо значення напруги в мережі перевірити неможливо, під'єднуватись до такої мережі не можна.

ПІД'ЄДНАННЯ ДО ДЖЕРЕЛА ЖИВЛЕННЯ

Перед підключенням електроінструмента до джерела живлення, переконайтесь, що вимикач(і) знаходяться в положенні «ВИМКНЕНО», а параметри електричного струму відповідають даним, вказаним на станку. Усі з'єднання електричної мережі повинні мати належний електричний контакт. Запуск інструмента за меншої напруги пошкодить машину.



Небезпечно! Машина не повинна зазнавати впливу дощу і працювати у вологому приміщенні.

Перед тим, як під'єднати машину до джерела живлення, перевірте, щоб вимикач знаходився у положенні «ВИМКНЕНО».

ЗАЛИШКОВИЙ РИЗИК

Додатковий залишковий ризик може виникнути у випадках використання інструменту, які можуть бути не враховані в перерахованих вказівках щодо безпечної роботи. Такий ризик може виникати при неправильному, тривалому використанні і т. д. Навіть при дотриманні всіх відповідних правил техніки безпеки і використанні захисних пристроїв певний ризик все ж лишається. Це такі небезпеки:

- Травми, отримані при торканні обертових і рухомих деталей.
- Травми, отримані при заміні деталей, ножів та приладдя.
- Травми, отримані внаслідок тривалого використання інструменту. При тривалому використанні інструменту необхідно робити регулярні перерви в роботі.
- Погіршення слуху.
- Шкода для здоров'я, викликана вдиханням пилю, що з'являється під час роботи інструмента (наприклад, при роботі з деревом, особливо з дубом, буком або ДВП).

БЕЗПЕКА ІНШИХ ОСІБ

- Цей інструмент не призначений для використання особами (включаючи дітей) з обмеженими фізичними, сенсорними або розумовими здібностями або особами, у яких відсутній необхідний досвід і знання, крім випадків, коли вони знаходяться під наглядом і отримали належні вказівки по роботі з інструментом від особи, відповідальної за їхню безпеку.
- Щоб діти не гралися з інструментом, вони повинні знаходитися під наглядом.

НАКЛЕЙКИ НА ІНСТРУМЕНТІ

До поверхні інструменту разом з кодом дати прикріплені наступні графічні зображення:

	ОБЕРЕЖНО! ДЛЯ ЗНИЖЕННЯ РИЗИКУ ТРАВМУВАННЯ ОПЕРАТОР ПОВИНЕН ПРОЧИТАТИ ЦЮ ІНСТРУКЦІЮ З ЕКСПЛУАТАЦІЇ ПЕРЕД ПОЧАТКОМ РОБОТИ.		
	Застосовуйте засоби захисту органів слуху.		
	Використовуйте відкриті і закриті захисні окуляри.		
B	Напруга		Постійний струм
A	Амперы	I_0	Швидкість холостого ходу
Гц	Герци		Конструкція класу II
Вт	Вати		Клема заземлення
хв.	хвилини		Попереджувальний знак
	Змінний струм	/хв	Кількість обертів або зворотно-поступальних рухів за хвилину

Розташування коду дати (РИС. А)

Штрих-код з датою (10), який також включає рік виготовлення, надрукований на корпусі.

Приклад:

2017 XX JN
Рік виготовлення

ВМІСТ УПАКОВКИ

- 1 циркулярна пила SST1800
- 1 пильний диск 60T
- 1 захисний кожух пильного диска
- 1 лінійка
- 1 напрямна планка
- 1 шланг для вилучення пилю
- 1 адаптер для шланга
- 2 гайкових ключа
- 1 штовхач

ЕЛЕКТРИЧНА БЕЗПЕКА

Ваш інструмент повинен бути заземлений. Переконайтесь, що мережева напруга відповідає значенню, зазначеному в таблиці з паспортними даними.



У разі пошкодження кабелю живлення, щоб уникнути виникнення небезпечних ситуацій, його заміну повинен виконати виробник обладнання або уповноважений сервісний центр STANLEY.

ДЕТАЛІ ІНСТРУМЕНТА (РИС. А)

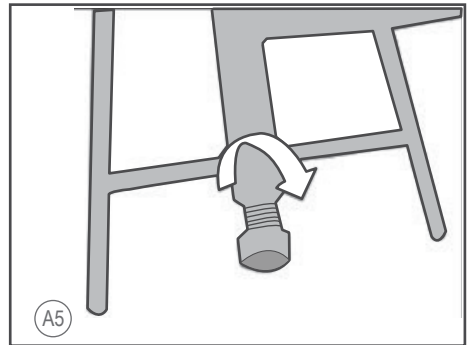
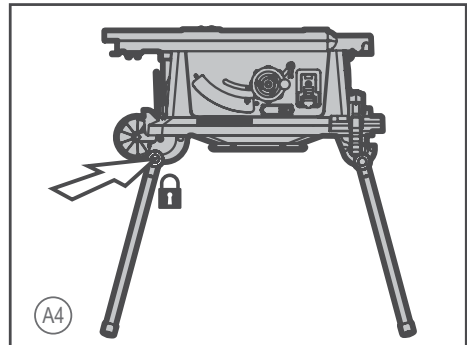
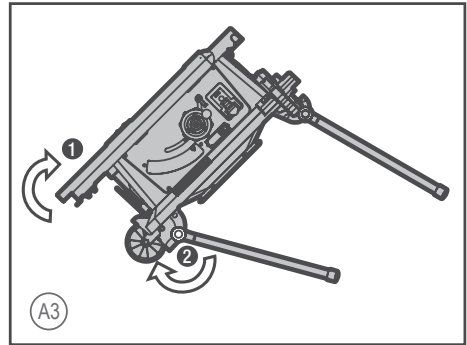
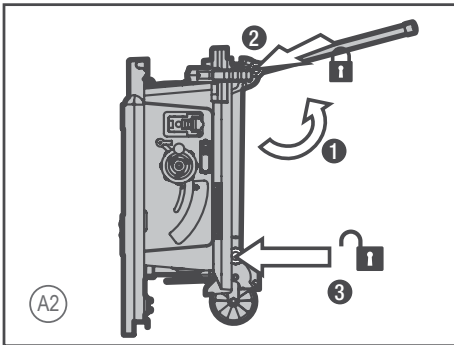
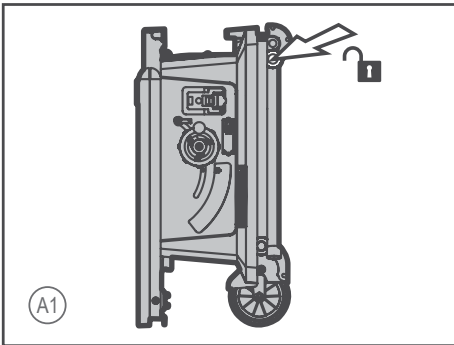
Цей інструмент містить окремі або всі деталі, перелічені нижче.

1. Пильне полотно
2. Захисний щиток пильного диска
3. Розклинюючий ніж
4. Полотно
5. Направна планка
6. Лінійка
7. Колеса для транспортування
8. Вимикач
9. Стіяка
10. Ручка регулювання різання під кутом
11. Ручка для підймання полотна
12. Кнопка фіксації положення стійок
13. Колесо нахилу полотна
14. Ручка блокування подовжувача столу
15. Ручка блокування напрямної планки
16. Подовжувач столу
17. Гайковий ключ
18. Напрямна рейка
19. Напрямна лінійка
20. Вставка столу
21. Паз (а)
21. Паз (б)
22. Захисний пристрій від перенавантаження

МОНТАЖ (РИС. А1, А2, А3, А4)

Щоб машина могла стояти і працювати в різних режимах, а також щоб її можна було скласти і транспортувати, вона має три положення. Ніжки фіксуються з допомогою поворотних ручок, які блокують/деблокують ніжки в будь-якому положенні і мають центральне незафіксоване положення.

1. Коли пилка стоїть на своїх колесах (А1), почніть з розблокування верхніх ніжок. Відведіть догори верхні ніжки і замок (А2) і потім розблокуйте нижні ніжки.
2. Підніміть стіл з кінця (А3) так, щоб нижні ніжки зайшли на своє місце. Поверніть до кінця ніжки на своє місце і зафіксуйте їх положення (А4).
3. Передбачена ніжка з регулювальною пружиною, показана на Рис. А5. Для потрібної довжини її потрібно обертати в годинникову стрілку чи проти годинникової стрілки. (А5)

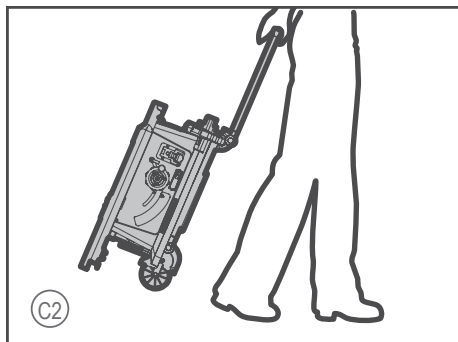
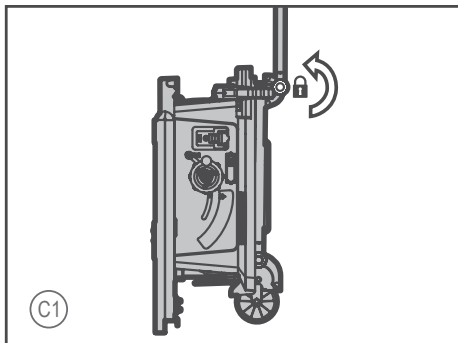
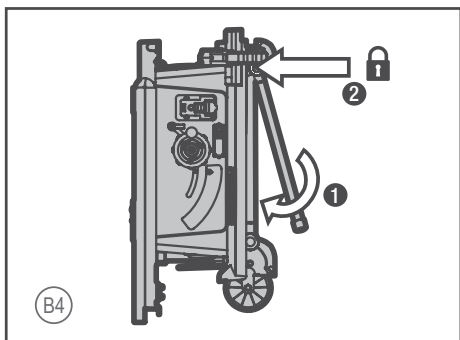
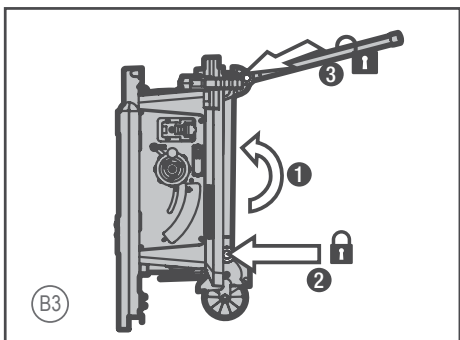
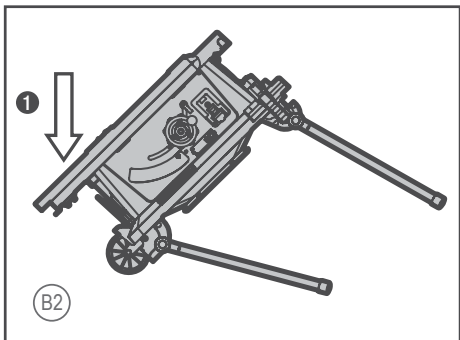
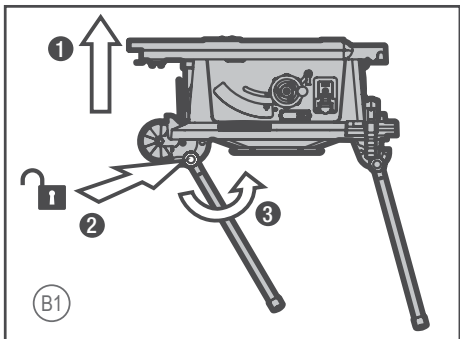
**ВКАЗІВКИ З СКЛАДАННЯ (Рис. В1, В2, В3, В4)**

Захопіть і обіпріть край столу, розблокуйте ніжки на кінці коліс (В1). Опустіть ніжки на землю так, щоб вони зайшли під станок (В2). Поставте стіл на край, складіть і зафіксуйте положення нижніх ніжок, розблокуйте верхні ніжки (В3). Опустіть їх і зафіксуйте положення (В4).

ТРАНСПОРТУВАННЯ ЦИРКУЛЯРНОГО СТАНКА (Рис. С1, С2)

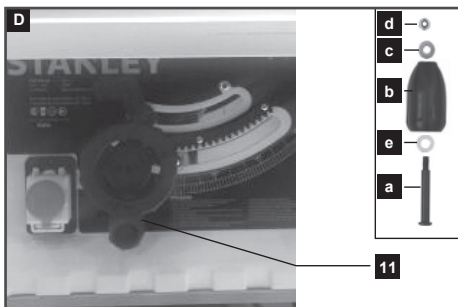
Верхні ніжки можуть бути зафіксовані в вертикальному положенні для використання в якості ручки візка.

ОБЕРЕЖНО! Під час транспортування накривайте верхню частину пильного диска, наприклад, захисним кожухом



Монтаж маховичка (Рис. D)

Установіть шайбу (e), корпус (b), шайбу (c) і шестигранну гайку (d) на болт (a), щоб змонтувати маховичок (11)

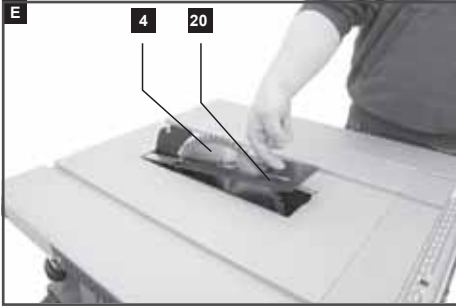


Налаштування розклинюючого ножа (Рис. Е, F, G)



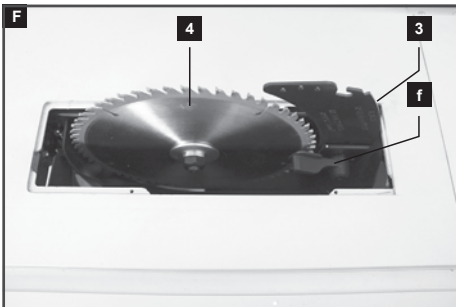
Обережно! Від'єднайте кабель живлення від електричної мережі! Налаштування розклинюючого ножа (3) необхідно перевірити перед кожним використанням.

1. Установіть пильне полотно (4) на максимальну глибину різання, виставіть положення 00 і зафіксуйте полотно
2. Зніміть вставку столу (20) (Рис. Е)

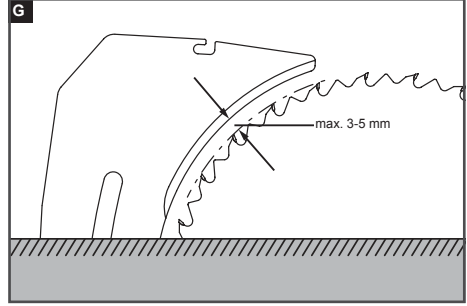


Обережно! Перед початком робіт з первинного введення станка в експлуатацію потрібно пам'ятати, що розклинюючий ніж (3) для транспортування був зафіксований у нижньому положенні. Робота машини дозволяється тільки з розклинюючим ножом (3) у верхньому положенні. Установіть розклинюючий ніж (3) у верхнє положення наступним чином:

3. Послабте затискну ручку (f) і перемістіть розклинюючий ніж (3) у верхню положення (Рис. F)



4. Проміжок між зубцями пильного полотна (4) і розклинюючим ножом має бути від 3 до 5 мм (Рис. G)



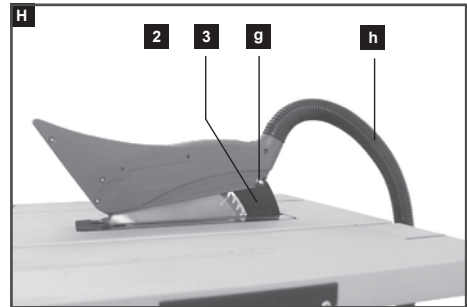
5. Закрутіть знову кріпильний гвинт (f) і зафіксуйте положення вставки столу (20)



Обережно! Переконайтесь, що обладнання відключено від мережі живлення. Ніколи не експлуатуйте обладнання без вставки столу; якщо вставка столу зношена або пошкоджена, негайно замініть її

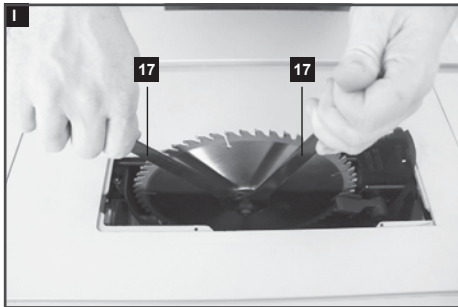
Монтаж огорожі пильного полотна (Рис. H)

1. Прикрутіть захисний кожух пильного диска (2) до розклинюючого ножа (5) болтом (g).
2. Установіть задній шланг для вилучення пилю (h) на відповідний перехідник на огорожі пильного полотна (2).
3. Демонтаж виконується в зворотному порядку.



Монтаж/заміна пильного полотна (Рис. Е, H, I)

1. Обережно! Переконайтесь, що обладнання відключено від мережі живлення. Використовуйте захисні рукавички.
2. Демонтуйте огорожу пильного полотна (2) (Рис. H).
3. Зніміть вставку столу (20) (Рис. Е).
4. Ослабте гайку ріжковим ключем (17), тримаючи при цьому іншим ріжковим ключем (17) фланець (Рис. I).



- Щоб збільшити глибину різання, повертайте в напрямку проти годинникової стрілки
- Щоб зменшити глибину різання, повертайте в напрямку руху годинникової стрілки

Бажано після кожного регулювання виконувати пробне різання, щоб перевірити виставлену глибину.

Налаштування кута (Рис. J)

Установіть потрібний кут нахилу від 0 до 45 градусів



Перед обробкою переконайтесь, щоб пильний диск (4) і лінійка (6) не зіштовхувалися.

- Ослабте ручку регулювання кута нахилу (10).
- Установіть потрібний кут, після цього зафіксуйте ручку знову

Робота з напрямною планкою

Виставлення висоти планки (Рис. K)

- Напрямна рейка (i) напрямної планки (5) має дві напрямні поверхні різної висоти.
- В залежності від товщини матеріалу, який буде різатись, вища сторона напрямної планки (i) повинна використовуватись для товстого матеріалу (товщина робочої деталі більше 25 мм), а нижча сторона напрямної планки повинна використовуватись для тонкого матеріалу (товщина робочої деталі менше 25 мм).
- Для регулювання висоти послабте болти на боковій стороні напрямної планки (5) і зсуньте напрямну рейку (i) на напрямну згідно з необхідним положенням.
- Закрутіть болти знову.

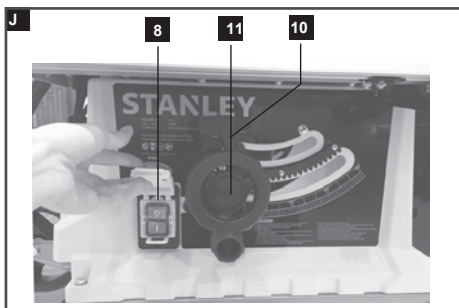
5. Обережно! Повертайте гайку в напрямку обертання пильного полотна.
6. Зніміть зовнішній фланець і зніміть з внутрішнього фланця старе пильне полотно, рухаючи його донизу по діагоналі.
7. Ретельно очистіть фланець пильного полотна зафіксованим пильним полотном.
8. Вставте нове пильне полотно і затягніть зовнішній фланець. Зовнішній фланець має виступ Ф30 мм, який суміщається з отвором на пильному диску

Обережно! Зубці нового диска дуже гострі і можуть бути причиною травмування. Переконайтесь, що вершина зубця направлена вниз попереду диска, суміщається зі стрілкою, яка нанесена на захисному кожусі пильного диска (2).

9. Прикріпіть вставку столу (20) і установіть на місце огорожу пильного полотна (2).
10. Перш ніж почати роботу перевірте надійність роботи захисних кожухів.

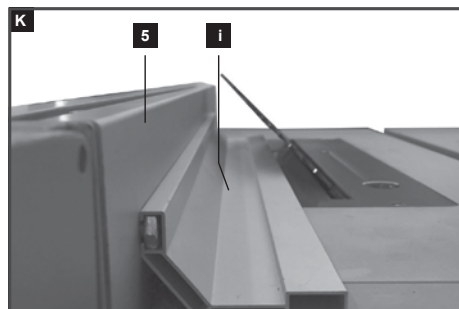
Вимикач (Рис. J)

- Щоб увімкнути обладнання, натисніть зелену кнопку пуску «I».
- Щоб вимкнути обладнання, натисніть червону кнопку пуску «O».



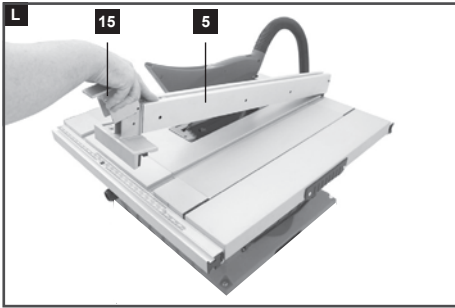
Глибина різання (Рис. J)

Щоб установити пильний диск на потрібну глибину різання, поверніть круглу ручку (11).



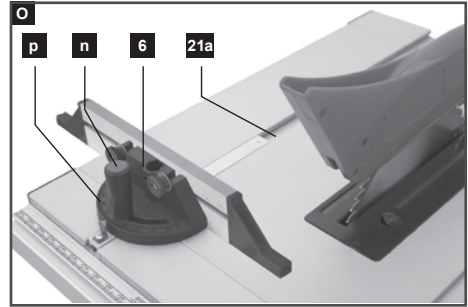
Монтаж напрямної планки (Рис. L)

- Зафіксуйте напрямну планку (5) позаду і натисніть важіль фіксації (15) донизу.
- Щоб демонтувати напрямну планку, потягніть важіль фіксації догори і зніміть напрямну планку (5).
- Напрямна планка може бути заблокована за допомогою задньої рифленої гайки.



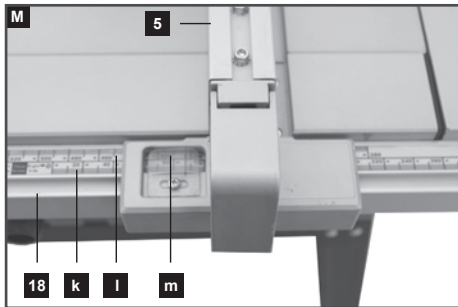
Поперечний стопор (Рис. О)

- Вставте лінійку (6) в проріз (21 а/б) в столі.
- Послабте ручку фіксації (п).
- Повертайте лінійку (6) доти, поки не буде встановлений потрібний кут. Шкала (р) покаже встановлений кут.
- Закрутіть ручку фіксації (р).



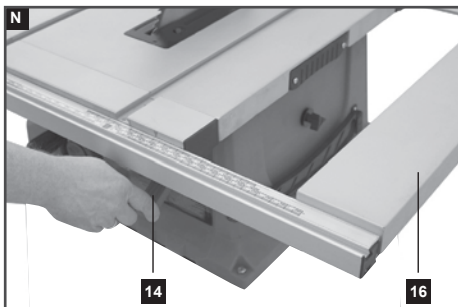
Виставлення ширини різання (Рис. М)

- Напрямна планка (5) використовується для поздовжнього різання деревини.
- Установіть напрямну планку (5) на напрямну рейку (18) праворуч або ліворуч від пильного полотна.
- 2 шкали (к/л) на напрямній рейці (18) призначені для визначення проміжку між напрямною планкою (і) і пильним диском (4)
- Установіть необхідне значення напрямної планки (5) на віконці шкали (m) і зафіксуйте відповідне положення ручкою фіксації.



Додаткова секція стола (Рис. N)

- Додаткова секція стола (16) використовується при обробці особливо широких робочих деталей
- Послабте фіксуючу ручку (14) і витягніть додаткову секцію стола.



РОБОТА

Вказівки з роботи

Бажано після кожного регулювання виконувати пробне різання, щоб перевірити виставлену глибину. Після увімкнення станка почекайте, поки пильне коло не набере максимальні оберти, і тільки після цього починайте різання.

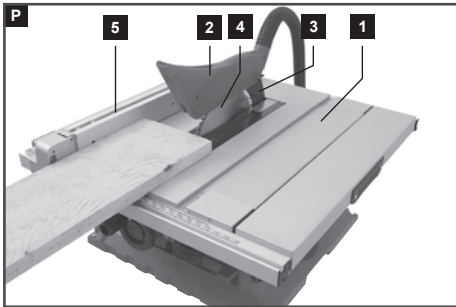
Щоб довга робоча деталь не впала з станка, закріпіть її на кінці різання (наприклад, з допомогою станини валика тощо). Починаючи різання, будьте дуже уважні! Забороняється використовувати обладнання без функції всмоктування. Регулярно перевіряйте і виконуйте очищення каналів всмоктування.

Виконання поздовжніх розрізів (Рис. Р)

Поздовжній розріз (який також називається поздовжнім різанням) має місце тоді, коли пильний диск розрізує вздовж волокон дерева. Натискайте на край робочої деталі навпроти паралельного стопора (5) до «заміни» напрямною планкою (5), коли пласка сторона знаходиться пильному диску (1). Захисний кожух пильного диска (2) завжди має бути опущений на робочу деталь. Коли виконується поздовжній розріз, не можна коригувати робоче положення, яке знаходиться на одній лінії з напрямком різання.

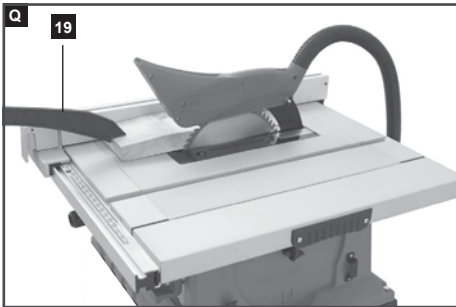
- Відрегулюйте згідно з висотою робочої деталі і потрібною шириною.
- Увімкніть станок.
- Покладіть долоні (з зімкнутими пальцями) зверху на робочу деталь і починайте штовхати робочу деталь вздовж у напрямку пильного диска (4).
- Спрямувайте збоку робочу деталь правою чи лівою рукою (в залежності від положення) тільки до переднього краю захисного кожуха пильного диска (2).

- Завжди штовхайте робочу деталь до кінця розклинювального ножа (3)
- Обрізки робочої деталі будуть залишатись на столі станка (1) доти, поки пильний диск (4) не повернеться в своє початкове положення.
- Щоб довга робоча деталь не впала зі станка, закріпіть її на кінці різання за допомогою, наприклад, роликів стола.



Увага: (Рис. Q)

- Завжди використовуйте штовхач (19) під час різання робочих деталей маленького розміру (рис. Q)
- Забороняється розпилювати робочих деталей занадто маленького розміру



Поперечне розпилювання

- Зафіксуйте лінійку (6) на позначці 0 градусів
- Установіть кут нахилу 0 градусів
- Відрегулюйте висоту пильного диска (4)
- Притискайте робочу деталь до поверхні стола (1) і до напрямної планки. Тримайте робочу деталь на відстані від пильного диска.
- Тримайте обидві руки на відстані від робочої зони пильного диска.
- Увімкніть обладнання і дочекайтесь, щоб пильний диск досяг робочої швидкості.
- Міцно притискайте робочу деталь до напрямної планки і повільно рухайте робочу деталь разом з блоком напрямної планки, доки робоча деталь не опиниться під верхнім кожухом пильного диска. Дочекайтесь початку різання зубцями пильного диска

робочої деталі, не штовхайте робочу деталь у напрямку пильного диска із надмірним зусиллям. Швидкість обертання пильного диска не повинна змінюватись.

Після завершення розпилювання вимкніть обладнання, дочекайтесь зупинки пильного диску і зніміть робочу деталь

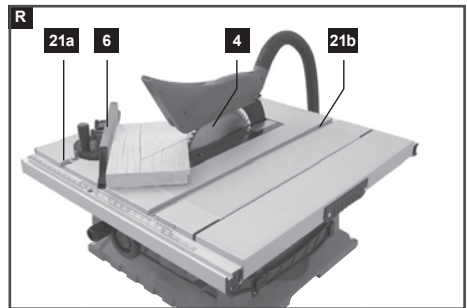
- Щоб виконати різання, штовхайте робочу деталь в напрямку пильного диска.

Важливо: Забороняється штовхати чи утримувати робочу деталь за її фрагмент, який відрізується.

Виконання похилих розрізів (Рис. R)

Похилі розрізи необхідно завжди виконувати з допомогою напрямної планки (5).

- Установіть потрібний кут (4) пильного диска.
- Процедура подібна до виконання поперечного розрізу

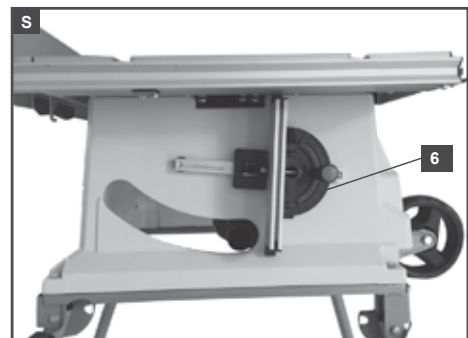


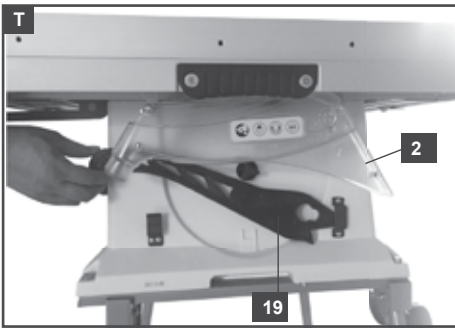
Розрізання пресованої деревини

Щоб запобігти розтріскування фрагментів, які відпилюються, під час різання робочої деталі з ДСП, висота пильного диску має бути більшою за висоту робочої деталі.

Зберігання допоміжних інструментів (Рис. S,T)

Допоміжні інструменти можуть зберігатися на лінійці (6), на гачку, як показано на Рис. S. Захисний кожух (2) і штовхач (19) можна зберігати на гачку, як показано на Рис. T.





8. Під час виконання різання застосовуйте рівномірне і постійне притисне зусилля. Ніколи не прикладайте надмірне зусилля під час різання.
9. ЗАБОРОНЯЄТЬСЯ різати мокру і пожолоблену деревину.
10. Робочу деталь потрібно завжди міцно тримати обома руками або використовувати штовхач.

ПОВОДЬТЕСЬ З ІНСТРУМЕНТАМИ АКУРАТНО І ОБЕРЕЖНО

Перед тим, як виконати будь-яке налаштування, обслуговування чи технічне обслуговування станка, витягніть вилку шнура електроживлення станка з розетки. Щоб інструменти служили довго і безпечно, вони завжди повинні бути гострими. Регулярно перевіряйте шнури на наявність пошкоджень, і виконуйте їх ремонт в уповноважених сервісних центрах. Ваш станок не потребує додаткового змащування і технічного обслуговування. В середині станка немає деталей, які може обслуговувати користувач. Забороняється використовувати воду і хімічні очищувачі для очищення вашого станка. Протирайте станок начисто сухою тканиною. Станок повинен завжди стояти в сухому місці. Вентиляційні прорізи двигуна повинні бути чистими і незасміченими. На робочих органах керування не повинно бути пилю. В вентиляційних прорізах двигуна часом можна побачити іскри; це нормальне явище, яке не завдасть шкоди вашому станку. У разі пошкодження кабелю живлення, щоб уникнути виникнення небезпечних ситуацій, його заміну повинен виконати виробник обладнання, уповноважений сервісний центр або інший кваліфікований спеціаліст.



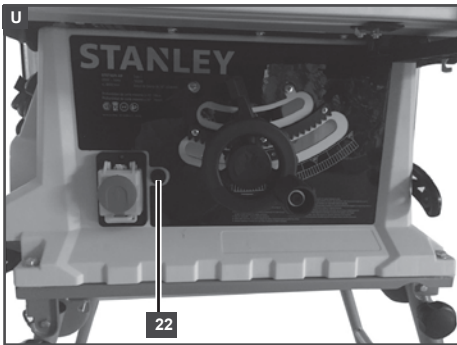
Важливо! Щоб гарантувати БЕЗПЕКУ та НАДІЙНІСТЬ інструменту, ремонт, обслуговування та налаштування (окрім описаних в цій інструкції) повинні проводитись в авторизованих сервісних центрах або кваліфікованими працівниками, завжди з використанням ідентичних запчастин.

АКСЕСУАРИ

Ми рекомендуємо придбати приладдя до вашого станка у тому ж магазині, де ви придбали станок. Користуйтеся приладдям високої якості, які мають маркування добре відомих брендів. Вибирайте тип приладдя згідно з видом робіт, які ви збираєтесь виконувати. Деталі дивіться на упаковці приладдя. Персонал магазину допоможе і проконсультує вас.

Усунення затискання пильного диска (Рис. U)

- Переконайтесь, що обладнання відключено від мережі живлення.
- Спочатку приберіть робочу деталь. Обережно! Будьте обережні, слідкуйте, щоб ваші руки не торкалися пильного диска.
- Натисніть на захисний вимикач під час перенавантаження (22) і увімкніть вилку знову, після цього можна поновити роботу. (Рис. U)



ЗАСТОСУВАННЯ

1. Перевірте, щоб на стороні відходів вимірювальної лінії був виконаний надріз.
2. Розрізуйте дерево оброблену стороною догори.
3. Завжди забезпечуйте належну підтримку дерев'яної деталі, коли вона виходить після пильного полотна.
4. У випадку важливих розрізів робіть пробні проходи.
5. Завжди використовуйте точне налаштування глибини пильного полотна. Кінчики зубців полотна повинні знаходитись над матеріалом, який розрізується, на висоті від 1/8" (3 мм) до 1/4" (6 мм).
6. Перед тим, як почати різання, перевірте робочу деталь на наявність сучків та задирок. Вбийте молотком усі сучки, які випадають.
7. Завжди використовуйте чисті, гострі і належним чином встановлені пильні полотна. Ніколи не виконуйте різання тупими полотнами.

Захист навколишнього середовища



Окреме збирання. Цей продукт не можна викидати разом зі звичайним побутовим сміттям.

Якщо якимось ви вирішите, що ваш виріб фірми STANLEY має бути замінено, або він вам більше не потрібний, не викидайте його на смітник побутового сміття. Зробіть цей виріб доступним для спеціального збирання.



Компанія STANLEY має можливість для збору та переробки продуктів власного виробництва після закінчення їхнього терміну служби. Щоб скористатися цією послугою, поверніть виріб компанії в офіційний сервісний центр, які збирають відпрацьовані продукти за наш рахунок.

Ви можете знайти місцезнаходження найближчого до Вас сервісного центру, зв'язавшись з місцевим офісом компанії STANLEY за адресою, вказаною в цих інструкціях. Крім того, список офіційних сервісних центрів компанії STANLEY з усіма подробицями нашого післяпродажного обслуговування та контактною інформацією міститься в Інтернеті за адресою: www.2helpU.com

Примітка

Одним із принципів політики STANLEY є постійне вдосконалення наших продуктів, тому ми залишаємо за собою право змінювати характеристики наших продуктів без попереднього сповіщення.

Перелік стандартного та додаткового обладнання може відрізнятися в залежності від країни.

Технічні характеристики виробів можуть відрізнятися залежно від країни.

Повна лінійка продуктів може бути доступна не в усіх країнах.

З питання наявності наших продуктів зверніться до дилерів STANLEY.

ТЕХНІЧНІ ДАНІ

Циркулярний станок		SST1800
Напруга	В	220 – 240
Частота	Гц	50/60
Споживана потужність	Вт	1800
Швидкість холостого ходу	Обертів за хвилину	4800
Діаметр диска	мм	254
Розмір отвору	мм	30
Ширина ріжучого ножа товщиною	мм	2,5
Розмір столу	мм	640 x 640
Максимальна глибина різання під кутом 45°	мм	50
Максимальна глибина різання під кутом 90°	мм	80
Діапазон кутів скосу крайки полотна		0 - 45°
Вага	кг	35

Інформація стосовно обслуговування

Компанія STANLEY має мережу власних сервісних центрів та уповноважених органів з обслуговування інструментів. Всі сервісні організації компанії STANLEY укомплектовані кваліфікованим персоналом, який надає покупцям послуги з ефективного та надійного обслуговування електроінструменту. Для того, щоб отримати додаткову інформацію про наші уповноважені сервісні центри, а також, якщо Вам потрібна порада з технічних питань, ремонт або виготовлені нашою компанією запасні частини, зв'яжіться з найближчим представництвом компанії STANLEY.

STANLEY

Гарантійні умови

Шановний покупець!

1. Вітаємо Вас з покупкою високоякісного виробу STANLEY і висловлюємо вдячність за Ваш вибір.

2. При покупці виробу вимагайте перевірки його комплектності і справності у Вашій присутності, інструкцію з експлуатації та заповнений гарантійний талон українською мовою

В гарантійному талоні повинні бути внесені: модель, дата продажу, серійний номер, дата виробництва інструменту; назва, печатка і підпис торгової організації. За відсутності у Вас правильно заповненого гарантійного талону, а також при невідповідності зазначених у ньому даних ми будемо змушені відхилити Ваші претензії щодо якості даного виробу.

3. Щоб уникнути непорозумінь, переконливо просимо Вас перед початком роботи з виробом уважно ознайомитися з інструкцією з його експлуатації. Правовою основою справжніх гарантійних умов є чинне Законодавство. Гарантійний термін на даний виріб складає 24 місяці і обчислюється з дня продажу. У разі усунення недоліків виробу, гарантійний строк продовжується на період його перебування в ремонті. Термін служби виробу становить 5 років з дня продажу.

4. У разі виникнення будь-яких проблем у процесі експлуатації виробу рекомендуємо Вам звертатися тільки в уповноважені сервісні центри STANLEY, адреси та телефони яких Ви зможете знайти в гарантійному талоні, на сайті www.2helpU.com або дізнатися в магазині. Наші сервісні станції - це не тільки кваліфікований ремонт, але і широкий асортимент запчастин і аксесуарів.

5. Виробник рекомендує проводити періодичну перевірку і технічне обслуговування виробу в уповноважених сервісних центрах.

6. Наші гарантійні зобов'язання поширюються тільки на несправності, виявлені протягом гарантійного терміну і викликані дефектами виробництва та \ або матеріалів.

7. Гарантійні умови не поширюються на несправності виробу, що виникли в результаті:

7.1 Недотримання користувачем приписів інструкції з експлуатації виробу, застосування виробу не за призначенням, неправильного зберігання, використання приладдя, витратних матеріалів і запчастин, що не передбачені виробником.

7.2 Механічного пошкодження (відколи, тріщини і руйнування) внутрішніх і зовнішніх деталей виробу, основних і допоміжних рукояток, мережевого кабелю, що викликані зовнішнім ударним або будь-яким іншим впливом

7.3 Потрапляння у вентиляційні отвори та проникнення всередину виробу сторонніх предметів, матеріалів або речовин, що не є відходами, які супроводжують застосування виробу за призначенням, такими як: стружка, тирса, пісок, та ін.

7.4 Вплив на виріб несприятливих атмосферних і інших зовнішніх факторів, таких як дощ, сніг, підвищена вологість, нагрівання, агресивні середовища, невідповідність параметрів електромережі, що зазначені на інструменті.

7.5 Стихійного лиха. Пошкодження або втрати виробу, що пов'язані з непередбаченими лихами, стихійними явищами, у тому числі внаслідок дії непереборної сили (пожежа, блискавка, потоп і інші природні явища), а також внаслідок перепадів напруги в електромережі та іншими причинами, які знаходяться поза контролем виробника.

8. Гарантійні умови не поширюються:

8.1. На інструменти, що піддавались розкриттю, ремонту або модифікації поза уповноваженим сервісним центром.

8.2. На деталі, вузли та матеріали, що мають сліди природного зносу, такі як: приводні ремені і колеса, вугільні щітки, мастило, підшипники, зубчасті зчеплення редукторів, гумові ущільнення, сальники, направляючі ролики, муфти, вимикачі, бойки, штовхачі, стволы тощо.

8.3. На змінні частини: патрони, цанги, затискові гайки і фланці, фільтри, акумуляторні батареї, ножі, шліфувальні підшови, ланцюги, зірочки, пильні шини, захисні кожухи, пилки, абразиви, пильні і абразивні диски, фрези, свердла, бури тощо

8.4. На несправності, що виникли в результаті перевантаження інструменту (як механічного, так і електричного), що спричинили вихід з ладу одночасно двох і більше деталей і вузлів, таких як: ротора і статора, обох обмоток статора, веденої і ведучої шестерень редуктора або інших вузлів і деталей. До безумовних ознак перевантаження виробу відносяться, крім інших: поява кольорів мінливості, деформація або оплавлення деталей і вузлів виробу, потемніння або обуглювання ізоляції проводів електродвигуна під впливом високої температури.



060

Виробник:
"Stanley Black & Decker Deutschland GmbH" Black-&-Decker Str.40, D-65510 Idstein, Німеччина

