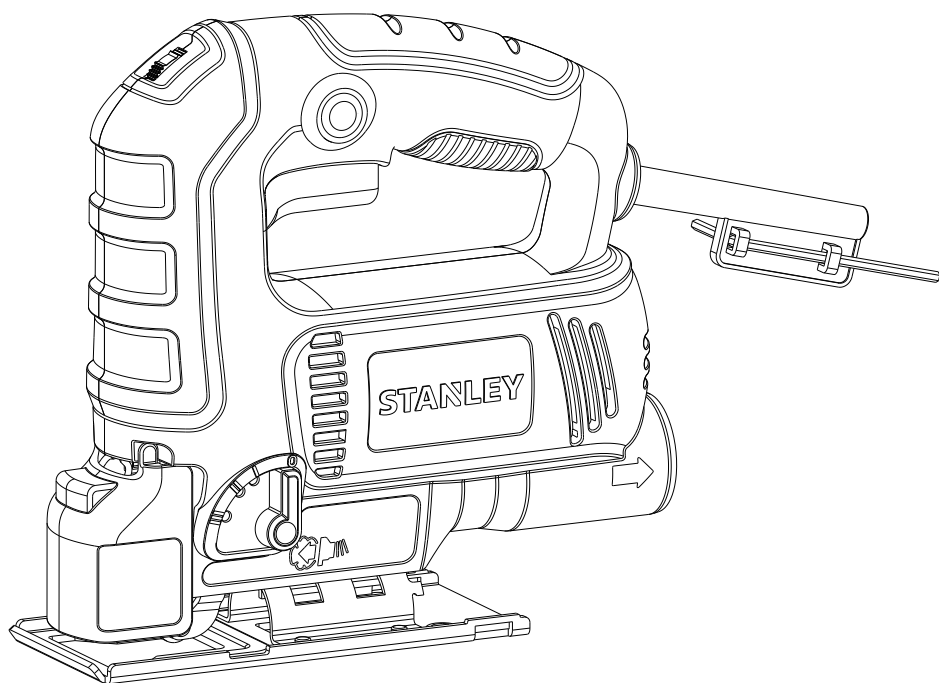
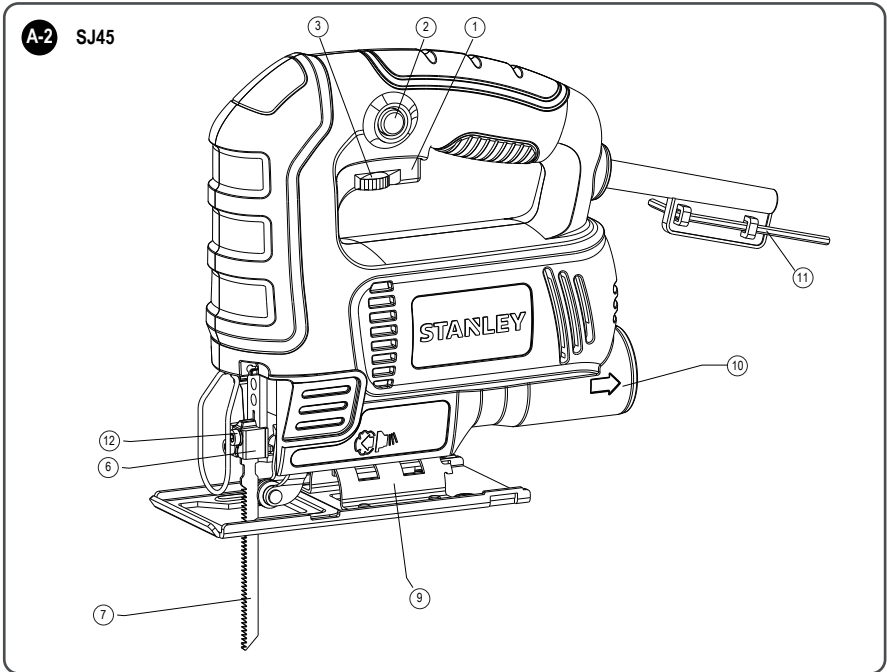
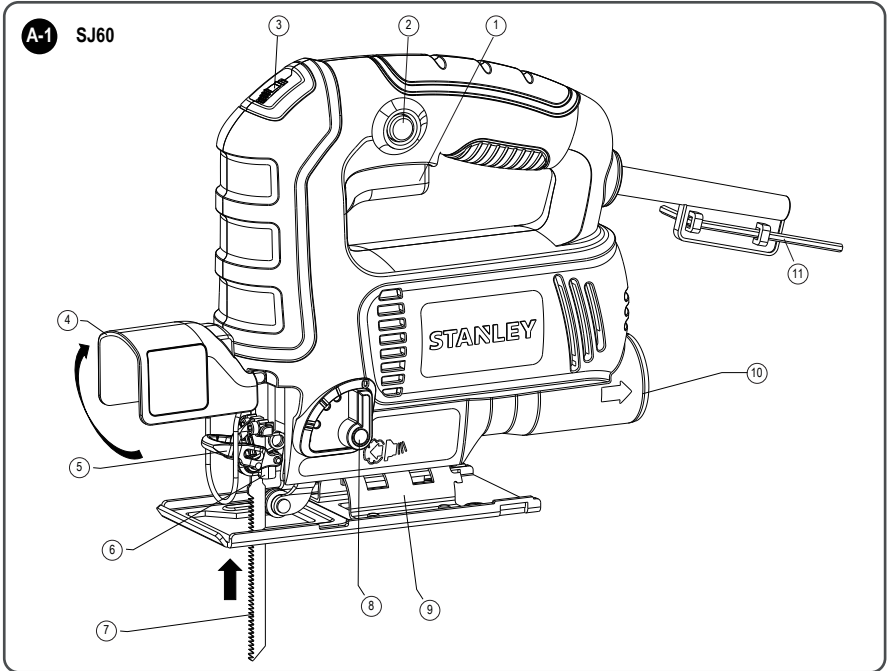


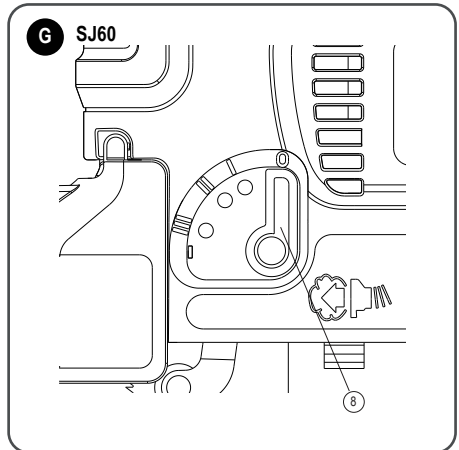
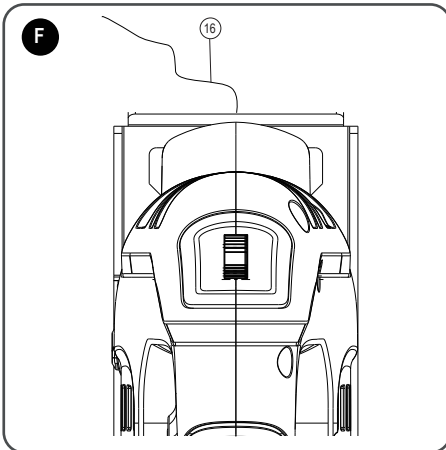
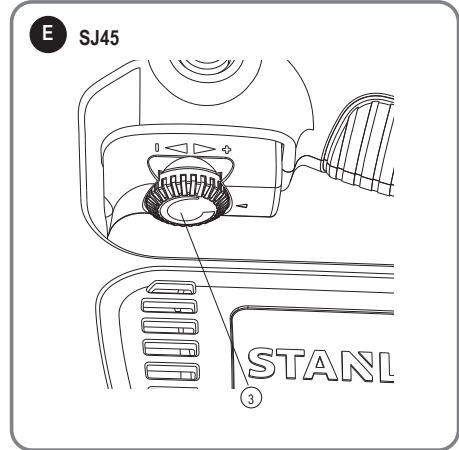
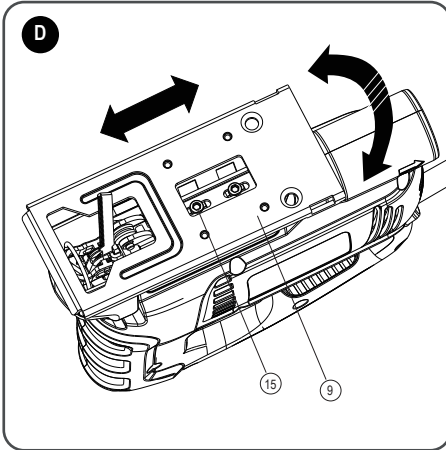
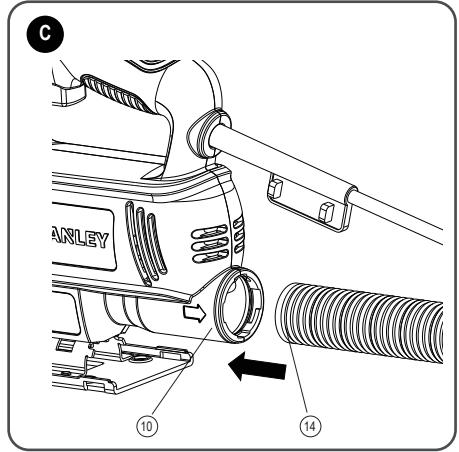
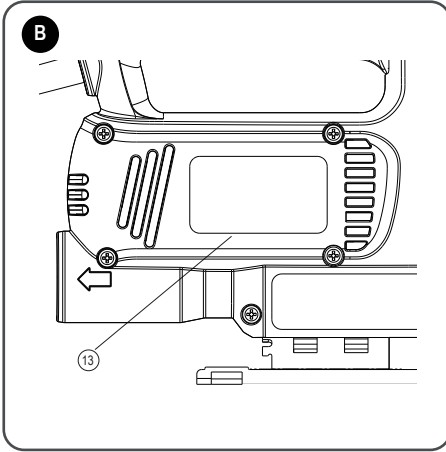
# STANLEY®



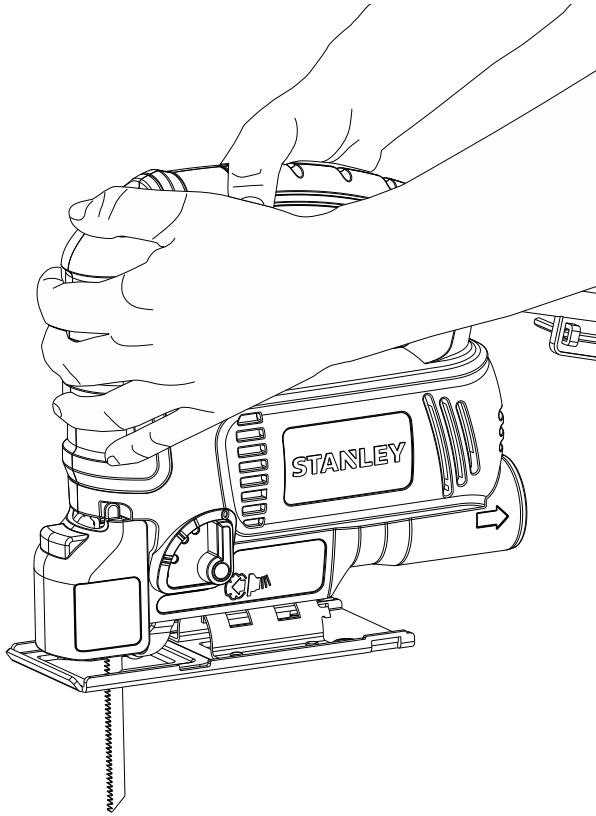
**SJ45**  
**SJ60**

English	Page	05
French	Page	12
Turkish	Page	19
Russian	Page	27
Ukrainian	Page	38
العربية	Page	52

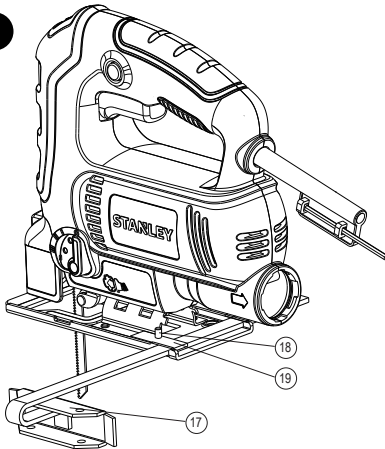




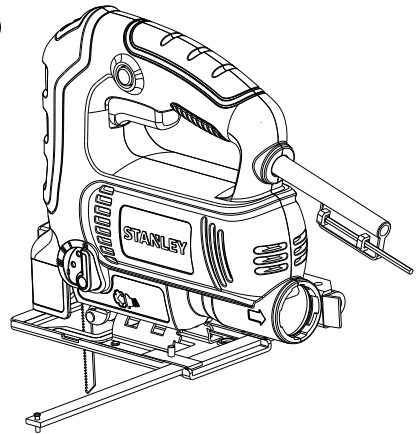
H



I



J



## Intended use

Your STANLEY Jig Saw SJ45/SJ60 has been designed for sawing wood, plastics and metal. This tool is intended for professional use.

## SAFETY INSTRUCTIONS

The definitions below describe the level of severity for each signal word. Please read the manual and pay attention to



**DANGER:** Indicates an imminently hazardous situation which, if not avoided, **will result in death or serious injury.**



**WARNING:** Indicates a potentially hazardous situation which, if not avoided, **could result in death or serious injury.**



**CAUTION:** Indicates a potentially hazardous situation which, if not avoided, **may result in minor or moderate injury.**

**NOTICE:** Indicates a practice not related to personal injury which, if not avoided, **may result in property damage.**



Denotes risk of electric shock.



Denotes risk of fire.



**Warning:** To reduce the risk of injury, read the instruction manual.

## General power tool safety warnings



**WARNING!** Read all safety warnings, instructions, illustrations and specifications provided with this power tool. Failure to follow all instructions listed below may result in electric shock, fire and/or serious injury.

## Save all warnings and instructions for future reference

The term "power tool" in the warnings refers to your mains-operated (corded) power tool or battery operated (cordless) power tool.

### 1. Work area safety

- a. **Keep work area clean and well lit.** Cluttered and dark areas invite accidents.
- b. **Do not operate power tools in explosive atmospheres, such as in the presence of flammable liquids, gases or dust.** Power tools create sparks which may ignite the dust or fumes.
- c. **Keep children and bystanders away while operating a power tool.** Distractions can cause you to lose control.

### 2. Electrical safety

- a. **Power tool plugs must match the outlet. Never modify the plug in any way. Do not use any adapter plugs with earthed (grounded) power tools.** Unmodified plugs and matching outlets will reduce risk of electric shock.

- b. **Avoid body contact with earthed or grounded surfaces such as pipes, radiators, ranges and refrigerators.** There is an increased risk of electric shock if your body is earthed or grounded.
- c. **Do not expose power tools to rain or wet conditions.** Water entering a power tool will increase the risk of electric shock.
- d. **Do not abuse the cord. Never use the cord for carrying, pulling or unplugging the power tool. Keep cord away from heat, oil, sharp edges or moving parts.** Damaged or entangled cords increase the risk of electric shock.
- e. **When operating a power tool outdoors, use an extension cord suitable for outdoor use.** Use of a cord suitable for outdoor use reduces the risk of electric shock.
- f. **If operating a power tool in a damp location is unavoidable, use a residual current device (RCD) protected supply.** Use of an RCD reduces the risk of electric shock.

### 3. Personal safety

- a. **Stay alert, watch what you are doing and use common sense when operating a power tool. Do not use a power tool while you are tired or under the influence of drugs, alcohol or medication.** A moment of inattention while operating power tools may result in serious personal injury.
- b. **Use personal protective equipment. Always wear eye protection.** Protective equipment such as dust mask, non-skid safety shoes, hard hat, or hearing protection used for appropriate conditions will reduce personal injuries.
- c. **Prevent unintentional starting. Ensure the switch is in the off-position before connecting to power source and/or battery pack, picking up or carrying the tool.** Carrying power tools with your finger on the switch or energising power tools that have the switch on invites accidents.
- d. **Remove any adjusting key or wrench before turning the power tool on.** A wrench or a key left attached to a rotating part of the power tool may result in personal injury.
- e. **Do not overreach. Keep proper footing and balance at all times.** This enables better control of the power tool in unexpected situations.
- f. **Dress properly. Do not wear loose clothing or jewellery. Keep your hair, clothing and gloves away from moving parts.** Loose clothes, jewellery or long hair can be caught in moving parts.
- g. **If devices are provided for the connection of dust extraction and collection facilities, ensure these are connected and properly used.** Use of these devices can reduce dust related hazards.
- h. **Do not let familiarity gained from frequent use of tools allow you to become complacent and ignore tool safety principles.** A careless action can cause severe injury within a fraction of a second.

**4. Power tool use and care**

- a. **Do not force the power tool. Use the correct power tool for your application.** The correct power tool will do the job better and safer at the rate for which it was designed.
- b. **Do not use the power tool if the switch does not turn it on and off.** Any power tool that cannot be controlled with the switch is dangerous and must be repaired.
- c. **Disconnect the plug from the power source and/or remove the battery pack, if detachable from the power tool before making any adjustments, changing accessories, or storing power tools.** Such preventive safety measures reduce the risk of starting the power tool accidentally.
- d. **Store idle power tools out of the reach of children and do not allow persons unfamiliar with the power tool or these instructions to operate the power tool.** Power tools are dangerous in the hands of untrained users.
- e. **Maintain power tools. Check for misalignment or binding of moving parts, breakage of parts and any other condition that may affect the power tools operation. If damaged, have the power tool repaired before use.** Many accidents are caused by poorly maintained power tools.
- f. **Keep cutting tools sharp and clean.** Properly maintained cutting tools with sharp cutting edges are less likely to bind and are easier to control.
- g. **Use the power tool, accessories and tool bits etc. in accordance with these instructions, taking into account the working conditions and the work to be performed.** Use of the power tool for operations different from those intended could result in a hazardous situation.
- h. **Keep handles and grasping surfaces dry, clean and free from oil and grease.** Slippery handles and grasping surfaces do not allow for safe handling and control of the tool in unexpected situations.

**5. Service**

- a. **Have your power tool serviced by a qualified repair person using only identical replacement parts.** This will ensure that the safety of the power tool is maintained.

**ADDITIONAL SPECIFIC SAFETY RULES**

**Safety instructions for jigsaw**

- a. **Hold power tools by insulated gripping surfaces, when performing an operation where the cutting accessory may contact hidden wiring or its own cord.** Cutting accessory contacting a "live" wire may make exposed metal parts of the power tool "live" and could give the operator an electric shock.
- b. **Use clamps or another practical way to secure and support the work piece to a stable platform.** Holding the work by hand or against your body leaves it unstable and may lead to loss of control.
- c. **Keep hands away from cutting area.** Never reach

underneath the material for any reason. Hold front of saw by grasping the contoured gripping area. Do not insert fingers or thumb into the vicinity of the reciprocating blade and blade clamp. Do not stabilize the saw by gripping the shoe.

- d. **Keep blades sharp.** Dull blades may cause the saw to swerve or stall under pressure.
- e. **When cutting pipe or conduit ensure that they are free from water, electrical wiring, etc.**
- f. **Allow the motor to come to a complete stop before withdrawing the blade from the kerf (the slot created by cutting).** A moving blade may impact the workpiece causing a broken blade, workpiece damage or loss of control and possible personal injury.
- g. **Do not touch the workpiece or the blade immediately after operating the tool.** They can become very hot.
- h. **Keep handles dry, clean, free from oil and grease.** This will enable better control of the tool.
- i. **Clean out your tool often, especially after heavy use.** Dust and grit containing metal particles often accumulate on interior surfaces and could create an electric shock hazard.
- j. **Do not operate this tool for long periods of time.** Vibration caused by the operating action of this tool may cause permanent injury to fingers, hands, and arms. Use gloves to provide extra cushion, take frequent rest periods, and limit daily time of use.
- k. **Avoid prolonged contact with dust from sawing activities. Wear protective clothing and wash exposed areas with soap and water.** Allowing dust to get into your mouth, eyes, or lay on the skin may promote absorption of harmful chemicals.
- l. **Avoid cutting nails. Inspect workpiece for any nails and remove them before operation.**
- m. **Do not cut oversize workpiece.**
- n. **Make sure the blade is not contacting the workpiece before the switch is turned on.**
- o. **Do not leave the tool running.** Operate the tool only when hand held.
- p. **Some material contains chemicals which may be toxic.** Take caution to prevent dust inhalation and skin contact. Follow material supplier safety data.
- q. **Always switch off and wait for the blade to come to complete stop before removing the blade from the workpiece.**

**Additional safety information**



**WARNING:** We recommend the use of a residual current device with a residual current rating of 30mA or less.

**RESIDUAL RISKS**

In spite of the application of the relevant safety regulations and the implementation of safety devices, certain residual risks cannot be avoided. These are:

- Impairment of hearing
- Risk of personal injury due flying particles.
- Risk of burns due to accessories becoming hot during operation.
- Risk of personal injury due to prolonged use.
- Risk of dust from hazardous substances.

### LABELS ON TOOL

In addition to the pictographs used in this manual, the labels on the tool show the following pictographs:



Read instruction manual before use.



Wear safety glasses.



Wear ear protection.

### Date Code Position (Fig. B)

The Date Code (13), which also includes the year of manufacture, is printed into the housing.

Example:

2017 XX XX

Year of Manufacture Package Contents

### THE PACKAGE CONTAINS

- 1 Jigsaw
- 1 Blade
- 1 Instruction manual
- 1 Wrench
- 1 Warranty card
- 1 Service center list
- Check for damage to the tool, parts or accessories which may have occurred during transport.
- Take the time to thoroughly read and understand this manual prior to operation.

### Description (Fig. A to J)



**WARNING:** Never modify the power tool or any part of it. Damage or personal injury could result.

1. Trigger switch
2. Lock-on button
3. Speed controller
4. Dust cover
5. Blade clamp actuator
6. Blade clamp
7. Saw blade
8. Pendulum Stroke selector
9. Shoe plate
10. Dust extraction outlet
11. Wrench
12. Screw-blade clamp
13. date code
14. Vacuum nozzle (optional)
15. Screw-shoe plate

16. Cutting line
17. Rip fence (optional)
18. Screw (optional)
19. Clamp bar (optional)

### ELECTRICAL SAFETY

Only one voltage is applicable to this tool. Be sure to check that the power supply corresponds to the voltage on the rating plate.



Your Stanley tool is equipped with double insulation, hence, it does not require to be earthed

When the power cord is damaged, have it sent to a STANLEY service center for replacement to specially prepared cables.

### USING AN EXTENSION CABLE

If an extension cable is required, use an approved 3-core extension cable suitable for the power input of this tool (see **Technical Data**). The minimum conductor size is 1.5 mm<sup>2</sup>; the maximum length is 30 m.

When using a cable reel, always unwind the cable completely.

### ASSEMBLY AND ADJUSTMENT



**WARNING:** To reduce the risk of serious personal injury, turn tool off and disconnect tool from power source before making any adjustments or removing/installing attachments or accessories. Before reconnecting the tool, depress and release the trigger switch to ensure that the tool is off. An accidental start-up can cause injury.

### Fitting the saw blade:

#### (SJ60) (Fig.A-1)

- Lift dust cover (4).
- Hold the saw blade (7) as shown, with the teeth facing forward.
- Push the blade clamp actuator (5) away from the shoe plate (9).
- Insert the shank of the saw blade into the blade clamp (6) as far as it will go.
- Release the blade clamp actuator (5).
- Turn down dust cover (4).

#### (SJ45) (Fig. A-2)

- Loosen (do not remove) the two screws-blade clamp. (12).
- Hold the saw blade (7) with the teeth facing forward.
- Insert the shank of the saw blade (7) into the blade clamp (6) as far as it will go.
- Slightly tighten the two screws-blade clamp (12) alternately to position the blade, then fully tighten the two screws-blade clamp (12).



**WARNING:** 1.Always clean out all chips or foreign matter adhering to blade and/or blade holder. Failure to do so may cause insufficient tightening of the blade, resulting in a serious personal injury.

2. Do not touch the blade or the workpiece immediately after operation, they may be extremely hot and could burn your skin.

3. Always secure the blade firmly. Insufficient tightening of the blade may cause blade breakage or serious personal injury.

4. Use only T type blades. Using blades other than T type blades cause insufficient tightening of the blade, resulting in a serious personal injury.

5. Use suitable saw blade for different type of the workpieces for getting better cutting result.

**Connecting a vacuum cleaner to the tool (Fig.C)**

- Slide the vacuum nozzle (14) into the dust extraction outlet (10).

**Residual risks**

Additional residual risks may arise when using the tool which may not be included in the enclosed safety warnings. These risks can arise from misuse, prolonged use etc.

Even with the application of the relevant safety regulations and the implementation of safety devices, certain residual risks can not be avoided. These include:

- Injuries caused by touching any rotating/moving parts.
- Injuries caused when changing any parts, blades or accessories.
- Injuries caused by prolonged use of a tool. When using any tool for prolonged periods ensure you take regular breaks.
- Impairment of hearing.
- Health hazards caused by breathing dust developed when using your tool (example:- working with wood, especially oak, beech and MDF.)

**USE**

**Adjusting the shoe plate for bevel cuts (Fig. D)**

**Warning!** Never use the tool when the shoe plate is loose or removed. Always secure the shoe plate firmly before using power tool. Insufficient tightening of the shoe plate may cause serious personal injury.

The shoe plate (9) can be set to a left or right bevel angle of 45°.

- Lift dust cover (4).
- Loosen the two screws-shoe plate (15).
- Pull the shoe plate (9) forward, rotate the shoe plate to the left or right and push it back into the 45° location.
- Tighten the screws-shoe plate (15).

**To reset the shoe plate for 90° cuts:**

- Loosen the two screws-shoe plate (15).
- Pull the shoe plate (9) forward, rotate to the centre and push it back into the 0° location.
- Tighten the screws-shoe plate (15).

- Turn down dust cover (4).
- WARNING:** Turn down the dust cover to prevent chips from flying. However, when making bevel cuts, lift it all the way.

**Variable speed control:**

- (SJ60)(Fig.A-1): A speed controller (3) is located on the top of the Jigsaw. The speed increases as the wheel is turned from a low speed setting of 1 to a high speed setting of 6.
- (SJ45)(Fig.E): A speed controller (3) is located on the top of the trigger switch. Turn the speed controller to “+” direction to increase speed and turn the speed controller to “-” direction to decrease speed.
- Refer to the table to select the proper speed for the workpiece to be cut. However, the appropriate speed may differ with the type or thickness of the workpiece. In general, higher speeds will allow you to cut workpieces faster but the service life of the blade will be reduced.

Workpiece to be cut	Number on speed controller-SJ60	Speed of SJ45
Wood	5-6	high speed
Stainless steel	3-4	medium speed
Mild steel	3-6	
Aluminum	3-6	
Plastics	1-4	

- WARNING:** If the tool is operated continuously at low speeds for a long time, the motor will get overload and heated up.

**Switching on and off (Fig.A-1, Fig.A-2)**

- To switch the tool on, press the trigger switch (1).
- For continuous operation, press the trigger switch (1), then press the lock-on button (2).
- To switch the tool off, release the trigger switch. To switch the tool off, when in continuous operation, press the trigger switch once more and release it.

**How to use the sightline feature (Fig. F)**

- Use a pencil to mark the cutting line.
- Position the jig saw over the line (16).
- Viewing from directly above the jig saw, the line of cut can be followed easily.

**Cutting mode (SJ60 only)**

- Pendulum stroke or action provides a more aggressive blade motion and is designed for cutting soft materials such as wood or plastic. It provides a faster cut, but with a less smooth cut across the material. Your jig saw has a Pendulum Stroke dial. Use of this dial is explained in the next section.
- Warning:** Never use pendulum action to cut metal.



### Pendulum stroke dial (Fig. G - SJ60)

- The SJ60 has these four cutting modes with increasing amounts of pendulum action:
- Position 0: metal and aluminium and sheet metal (no pendulum action).
- Position I: for laminates, hard wood, work tops.
- Position II: for plywood and PVC/Plastics.
- Position III: for soft wood and fast cutting

### To adjust the pendulum action (Fig.G):

- Rotate the Pendulum Stroke selector (8) to the required position.

### Sawing

Hold the tool firmly with both hands while cutting (Fig.H).

The shoe plate (9) should be held firmly against the material being cut. This will help prevent the saw from jumping, reduce vibration and minimise blade breakage.

- Let the blade run freely for a few seconds before starting the cut.
- Apply only a gentle pressure to the tool while performing the cut.

### Hints for optimum use

#### Sawing laminates

When cutting laminates, splintering may occur which can damage the presentation surface. The most common saw blades cut on the upward stroke, therefore if the shoe plate is sitting on the presentation surface either use a saw blade that cuts on the downward stroke or:

- Use a fine-tooth saw blade.
- Saw from the back surface of the workpiece.
- To minimise splintering, clamp a piece of scrap wood or hardboard to both sides of the workpiece and saw through this sandwich.

#### Sawing metal

**Warning!** Do not use a vacuum when cutting metal. Metal filings will be hot and may cause fire.

Be aware that sawing metal takes much more time than sawing wood.

- Use a saw blade suitable for sawing metal.
- When cutting thin sheet metal, clamp a piece of scrap wood to the back surface of the workpiece and cut through this sandwich.
- Spread a film of oil along the intended line of cut.

#### Rip fence (optional)

- Ripping and circle cutting without a pencil line are easily done with a rip fence and circle guide.

### Attaching rip fence (Figs. I )

- Insert rip fence (17) into the shoe plate slots with the cross bar facing down as shown in figure I.
- Place screw (18) into hole in bottom of shoe plate.
- Align clamp bar (19) over screw with lipped edge facing down and pointing towards the rear of the saw.
- Using a phillips screwdriver, run the screw into the threaded hole in the bar clamp as shown in figure G.
- Adjust to width of cut and tighten screw.

### Circle cutting (Fig. J)

- Insert rip fence into slot on the right side of shoe plate with cross bar facing up.
- Adjust rip fence so that distance from blade to hole in cross bar is the desired radius and tighten screw.
- Place saw so that centre of hole in cross bar is over centre of circle to be cut (make plunge cut, drill hole for blade or cut inward from edge of material to get blade into position).
- When saw is properly positioned, drive a small nail through hole in cross bar into exact centre of circle to be cut.
- Using rip fence as a pivot arm, begin cutting circle.

## MAINTENANCE

Your STANLEY power tool has been designed to operate over a long period of time with a minimum of maintenance. Continuous satisfactory operation depends upon proper tool care and regular cleaning.

- Regularly clean the ventilation slots in your tool using a soft brush or dry cloth.
- Regularly clean the motor housing using a damp cloth. Do not use any abrasive or solvent-based cleaner. This machine is not user-serviceable. If problems occur contact an authorised repair agent.



#### Lubrication

Your power tool requires no additional lubrication.



#### Cleaning

**WARNING:** Blow dirt and dust out of the main housing with dry air as often as dirt is seen collecting in and around the air vents. Wear approved eye protection and approved dust mask when performing this procedure.



**WARNING:** Never use solvents or other harsh chemicals for cleaning the non-metallic parts of the tool. These chemicals may weaken the materials used in these parts. Use a cloth dampened only with water and mild soap. Never let any liquid get inside the tool; never immerse any part of the tool into a liquid.

## ENGLISH (Original instructions)

To maintain products SAFETY and RELIABILITY, repair, carbon brush inspection and replacement, any other maintenance or adjustment should be performed by STANLEY Service Centers, always using Stanley replacement parts.

### Optional accessories



**WARNING:** Since accessories, other than those offered by STANLEY, have not been tested with this product, use of such accessories with this tool could be hazardous. To reduce the risk of injury, only STANLEY, recommended accessories should be used with this product.

Consult your dealer for further information on the appropriate accessories.

### PROTECTING THE ENVIRONMENT



Separate collection. This product must not be disposed of with normal household waste.

Should you find one day that your STANLEY product needs replacement, or if it is of no further use to you, do not dispose of it with household waste. Make this product available for separate collection.



STANLEY provides a facility for the collection and recycling of STANLEY products once they have reached the end of their working life. To take advantage of this service please return your product to any authorised repair agent who will collect them on our behalf.

You can check the location of your nearest authorised repair agent by contacting your local STANLEY office at the address indicated in this manual. Alternatively, a list of authorised STANLEY repair agents and full details of our after-sales service and contacts are available on the Internet at: [www.2helpU.com](http://www.2helpU.com).

### Notes

STANLEY's policy is one of continuous improvement to our products and as such, we reserve the right to change product specifications without prior notice.

Standard equipment and accessories may vary by country.

Product specifications may differ by country.

Complete product range may not be available in all countries. Contact your local STANLEY dealers for range availability.

### Service information

STANLEY offers a full network of company-owned and/ or authorized service agents throughout your country. All STANLEY Service Centers are staffed with trained personnel to provide customers with efficient and reliable power tool service. Whether you need technical advice, repair, or genuine factory replacement parts, contact the STANLEY location nearest to you.

### TECHNICAL DATA

Jigsaw		SJ45	SJ60
Voltage	V <sub>AC</sub>	220-240	220-240
Frequency	Hz	50/60	50/60
Power input	W	450	600
Rated speed	min <sup>-1</sup>	500-3000	500-3000
Bevel Cutting	degree	+/-45	+/-45
Max Cutting in Wood/Steel/Aluminum	mm	65/6/10	75/6/10
Stroke Length	mm	19	19
Pendulum Action		No	Yes
Weight	kg	1.8	1.9

### SJ45

#### Noise values and vibration values (triax vector sum) according to EN62841-2-11

L<sub>pA</sub> (emission sound pressure level) dB(A) 84.5

L<sub>WA</sub> (sound power level) dB(A) 95.5

K (uncertainty for the given sound level) dB(A) 3

Cutting chipboard (a<sub>h</sub>) 4.9 m/s<sup>2</sup>, uncertainty (K) 1.5 m/s<sup>2</sup>

Cutting metal (a<sub>h</sub>) 4.3 m/s<sup>2</sup>, uncertainty (K) 1.5 m/s<sup>2</sup>

### SJ60

#### Noise values and vibration values (triax vector sum) according to EN62841-2-11

L<sub>pA</sub> (emission sound pressure level) dB(A) 85.5

L<sub>WA</sub> (sound power level) dB(A) 96.5

K (uncertainty for the given sound level) dB(A) 3

Cutting chipboard (a<sub>h</sub>) 5.5 m/s<sup>2</sup>, uncertainty (K) 1.5 m/s<sup>2</sup>

Cutting metal (a<sub>h</sub>) 4.5 m/s<sup>2</sup>, uncertainty (K) 1.5 m/s<sup>2</sup>

### Vibration

The declared vibration emission values stated in the technical data and the declaration of conformity have been measured in accordance with a standard test method provided by EN62841 and may be used for comparing one tool with another. The declared vibration emission value may also be used in a preliminary assessment of exposure.

**WARNING:** The vibration emission value during actual use of the power tool can differ from the declared value depending on the ways in which the tool is used. The vibration level may increase above the level stated.

When assessing vibration exposure to determine safety measures required by 2002/44/EC to protect persons regularly using power tools in employment, an estimation of vibration exposure should consider, the actual conditions of use and the way the tool is used, including taking account of all parts of the operating cycle such as the times when the tool is switched on and when it is running idle in addition to the trigger time.

**EC declaration of conformity**  
MACHINERY DIRECTIVE



**SJ45 / SJ60 - Jigsaws**

Stanley Europe declares that these products described under "technical data" are in compliance with:  
2006/42/EC, EN 62841-1, EN 62841-2-11

These products also comply with Directive  
2014/30/EU and 2011/65/EU.

For more information, please contact Stanley Europe at the following address or refer to the back of the manual.

The undersigned is responsible for compilation of the technical file and makes this declaration on behalf of Stanley Europe.

A handwritten signature in black ink, appearing to read 'R. Laverick', written in a cursive style.

**R.Laverick**  
Engineering Manager  
Stanley Europe, Egide Walschaertsstraat 14-18,  
2800 Mechelen, Belgium  
12.2017

**TWO YEARS WARRANTY**

If your STANLEY product becomes defective due to faulty materials or workmanship within 24 months from the date of purchase, STANLEY guarantees to replace all defective parts free of charge or – at our discretion – replace the unit free of charge provided that:

- The product has not been misused and has been used in accordance with the instruction manual;
- The product has been subject to fair wear and tear;
- Repairs have not been attempted by unauthorized persons;
- Proof of purchase is produced.
- The STANLEY product is returned complete with all original components
- The product hasn't been used for hire purposes

If you wish to make a claim, contact your seller or check the location of your nearest authorised STANLEY repair agent in the STANLEY catalogue or contact your local STANLEY office at the address indicated in this manual. A list of authorised STANLEY repair agents and full details of our after sales service is available on the internet at: [www.2helpU.com](http://www.2helpU.com)

## Utilisation prévue

La scie sauteuse SJ45/SJ60 de STANLEY a été conçue pour le découpage du bois, du plastique et du métal. Cet outil est destiné à une utilisation professionnelle.

## CONSIGNES DE SÉCURITÉ

Les définitions ci-dessous définissent le niveau de gravité de chaque mention d'avertissement. Veuillez lire le manuel et prêter attention à ces symboles.



**DANGER:** Indique une situation imminente dangereuse qui, si elle n'est pas évitée, **entraînera des blessures graves ou la mort.**



**AVERTISSEMENT:** Indique une situation potentiellement dangereuse qui, si elle n'est pas évitée, **entraînera des blessures graves ou la mort.**



**ATTENTION:** Indique une situation potentiellement dangereuse qui, si elle n'est pas évitée, **entraînera des blessures légères ou mineures.**

**AVIS:** Indique une pratique ne concernant pas les blessures corporelles qui, si elle n'est pas évitée, **peut entraîner des dommages matériels.**



Indique un risque d'électrocution.



Indique un risque d'incendie.



**Avertissement :** Afin de réduire le risque de blessure, lisez le manuel d'instruction.

## Avertissements de sécurité générale de l'outil électrique



**AVERTISSEMENT!** Lisez tous les avertissements de sécurité, les instructions et les illustrations accompagnant cet outil électrique. Le non-respect des instructions énumérées ci-dessous peut entraîner un choc électrique, un incendie ou des blessures graves.

Conservez ces avertissements et ces instructions à titre de référence ultérieure. Le terme « outil électrique » dans les avertissements fait référence à votre outil électrique alimenté par le courant (avec cordon d'alimentation) ou fonctionnant sur batterie (sans cordon).

### 1. Sécurité de la zone de travail

- Travaillez dans un endroit propre et bien éclairé. Les zones encombrées et sombres peuvent entraîner des accidents.
- Ne mettez pas en marche votre outil électrique dans un environnement explosif, ou en présence de

liquides inflammables, de gaz, ou de poussière. La mise en marche de l'outil crée des étincelles qui peuvent enflammer les poussières ou vapeurs.

- Éloignez les enfants et les personnes présentes de la zone lorsque l'outil est en fonctionnement. Toute distraction peut vous faire perdre le contrôle de l'outil.

### 2. Sécurité électrique

- Les fiches de l'outil électrique doivent correspondre à la prise secteur. Ne modifiez jamais la fiche, de quelque manière que ce soit. N'utilisez pas de fiches d'adaptateurs avec des outils ayant une prise de terre (mis à la terre). Des prises non modifiées et raccordées à la prise murale correspondante réduiront les risques de choc électrique.
- Évitez le contact direct avec les surfaces mises à la terre ou mises à la masse comme les canalisations, les radiateurs, les cuisinières et les réfrigérateurs. Le risque de choc électrique augmente si votre corps est mis à la terre ou à la masse.
- N'utilisez pas d'outils électriques dans des environnements pluvieux ou humides. Si de l'eau s'introduit dans un outil électrique, le risque de choc électrique augmentera.
- Ne malmenez pas le cordon d'alimentation. N'utilisez jamais le câble pour transporter, tirer ou débrancher l'outil électrique. Veillez à garder le câble éloigné des sources de chaleur, des huiles, des rebords coupants ou des pièces mobiles. Les câbles endommagés ou entremêlés augmentent le risque de choc électrique.
- Lorsqu'un outil électrique est utilisé à l'extérieur, utilisez uniquement une rallonge spécialement prévue à cet effet. L'usage d'une rallonge adaptée à l'utilisation en extérieur réduit le risque de choc électrique.
- Si vous devez utiliser un outil électrique dans un endroit humide, utilisez une alimentation protégée contre les courants résiduels (RCD). L'utilisation d'un dispositif de protection contre les courants résiduels réduit le risque de choc électrique.

### 3. Sécurité personnelle

- Soyez vigilant, regardez bien ce que vous faites et faites preuve de bon sens lorsque vous utilisez l'outil électrique. N'utilisez pas d'outil électrique si vous êtes sous l'influence de drogues, d'alcool ou de médicaments. Un instant d'inattention pendant l'utilisation d'outils électriques peut entraîner des blessures graves.
- Utilisez un équipement de protection individuel. Utilisez toujours une protection oculaire. L'utilisation d'équipements de protection tels que les masques anti-poussière, les chaussures de sécurité antidérapantes, les casques de sécurité ou les protections auditives dans des conditions appropriées réduiront les risques de blessures corporelles.

- c. **Évitez les démarrages intempestifs.** Veillez à ce que l'interrupteur soit en position d'arrêt avant de le brancher à une source d'alimentation et/ou une batterie, de ramasser l'outil ou de le transporter. Transporter les outils électriques avec le doigt sur l'interrupteur ou brancher les outils électriques avec l'interrupteur en position de marche peut entraîner des accidents.
- d. **Retirez toute clé de sécurité ou autre clé de réglage avant de mettre l'outil électrique en marche.** Laissez une clé de sécurité ou une clé sur une partie rotative de l'outil électrique peut engendrer des blessures corporelles.
- e. **Ne vous penchez pas trop. Gardez en permanence une position stable et un bon équilibre.** Cela permet un meilleur contrôle de l'outil électrique dans des situations imprévues.
- f. **Portez des vêtements appropriés. Ne portez pas des vêtements amples ou des bijoux. Tenez vos cheveux, vêtements et gants éloignés des pièces mobiles.** Les vêtements amples, les bijoux ou les cheveux longs peuvent être happés par les pièces mobiles.
- g. **Si des dispositifs destinés au raccordement d'installations d'extraction et de recueil de la poussière sont fournis, assurez-vous qu'ils sont correctement raccordés et utilisés.** L'utilisation de ces appareils peut réduire les dangers associés à la présence de poussière.
- h. **Ne pensez pas que la familiarité que vous avez acquise en utilisant fréquemment des outils vous permet d'être complaisant et d'ignorer les principes de sécurité concernant l'utilisation des outils.** Une action imprudente peut causer de graves blessures en une fraction de seconde.
4. **Utilisation et entretien d'un outil électrique**
- a. **Ne forcez pas l'outil électrique. Utilisez l'outil électrique adapté à votre travail.** L'outil adapté est plus efficace et moins dangereux s'il est utilisé à la vitesse pour laquelle il a été conçu.
- b. **N'utilisez pas l'outil si l'interrupteur ne le met pas en position de marche et d'arrêt.** Tout outil qui ne peut être contrôlé par l'interrupteur est dangereux et doit être réparé.
- c. **Débranchez la fiche de la source d'alimentation et/ou retirez le bloc de batterie de l'outil avant de procéder à tout réglage, remplacement d'accessoires ou rangement des outils électriques.** Ces mesures de sécurité préventives réduisent le risque de démarrage accidentel de l'outil électrique.
- d. **Conservez les outils électriques inutilisés hors de la portée des enfants et ne laissez pas des personnes non familiarisées avec l'outil ou ces instructions utiliser l'outil électrique.** Les outils électriques sont dangereux pour les utilisateurs inexpérimentés.
- e. **Entretenez les outils électriques. Vérifiez la dérive d'alignement ou l'attache des pièces mobiles, la rupture des pièces et leur état peuvent affecter l'outil lors de l'utilisation. Si l'outil est endommagé, faites-le réparer avant de l'utiliser.** De nombreux accidents sont dus à des outils électriques mal entretenus.
- f. **Maintenez les outils de coupe aiguisés et propres.** Les outils de coupe bien entretenus aux bords aiguisés sont moins susceptibles de se coincer et plus faciles à contrôler.
- g. **Utilisez l'outil électrique, les accessoires et les mèches de l'outil etc., conformément à ces instructions en prenant en compte les conditions de travail et la tâche à réaliser.** L'utilisation de l'outil électrique pour des opérations différentes de celles pour lesquelles il a été conçu peut entraîner une situation dangereuse.
- h. **Maintenez les poignées et les surfaces de préhension sèches, propres et exemptes d'huile et de graisse.** Des poignées et des surfaces de préhension glissantes ne permettent pas de manipuler l'outil en toute sécurité et de le contrôler dans des situations inattendues.
5. **Réparation**
- a. **Faites réparer votre outil électrique par un réparateur habilité utilisant uniquement les pièces de rechange identiques.** Cela permettra de garantir la sécurité de l'outil électrique.

## CONSIGNES DE SÉCURITÉ SPÉCIFIQUES ADDITIONNELLES

### Consignes de sécurité pour scie sauteuse

- a. **Tenez l'outil électrique par les surfaces isolées lorsque vous effectuez une opération au cours de laquelle l'accessoire coupant peut être en contact avec des câbles cachés ou avec son propre câble d'alimentation.** Si un accessoire de coupe entre en contact avec un câble « sous tension », les pièces métalliques de l'outil électrique risquent de transmettre le courant et d'infliger un choc électrique à l'opérateur.
- b. **Utilisez des serre-joints ou tout autre moyen pratique pour maintenir la pièce à découper ou l'attacher à une plate-forme stable.** Le fait de tenir la pièce à traiter avec votre main ou de l'appuyer contre votre corps la rend instable et peut provoquer une perte de contrôle.
- c. **Gardez vos mains hors de portée de la zone de coupe.** Ne mettez jamais la main sous la pièce de travail, quelles que soient les circonstances. Maintenez l'avant de la scie en saisissant la surface de préhension en forme de poignée. N'approchez pas les doigts ou le pouce de la lame de coupe ou du serre-lame. N'agrippez pas la semelle de la scie pour la stabiliser.

- d. **Maintenez la lame aiguisée.** Une scie avec une lame émoussée risque de faire un écart ou de caler sous pression.
- e. **Lorsque vous découpez un tuyau ou un conduit, vérifiez qu'il ne contient plus d'eau, de câble électrique, etc.**
- f. **Laissez le moteur s'arrêter complètement avant de retirer la lame du trait de coupe (la fente créée par la coupe).** Une lame en mouvement peut heurter la pièce à couper et se casser ou endommager la pièce, ou encore causer une perte de contrôle, voire des blessures.
- g. **Ne touchez pas la pièce à couper ou la lame immédiatement après avoir utilisé l'outil.** Elles peuvent être très chaudes.
- h. **Gardez les poignées sèches, propres et exemptes d'huile et de graisse.** Cela permettra un meilleur contrôle de l'outil.
- i. **Nettoyez votre outil souvent, particulièrement après une utilisation intensive.** La poussière et les grains contenant des particules de métaux s'accumulent souvent sur les surfaces intérieures et peuvent entraîner des risques de choc électrique.
- j. **N'utilisez pas cet outil pendant de longues périodes.** Les vibrations causées durant le fonctionnement de l'outil peuvent causer des blessures permanentes aux doigts, aux mains et aux bras. Utilisez des gants pour amortir davantage les vibrations, prenez des périodes de repos fréquentes, et limitez la durée quotidienne d'utilisation de l'outil.
- k. **Évitez tout contact prolongé avec la poussière provenant du sciage. Portez des vêtements de protection et lavez les surfaces exposées avec de l'eau savonneuse.** Laissez entrer de la poussière dans votre bouche, vos yeux, ou sur votre peau peut engendrer l'absorption de produits chimiques.
- l. **Évitez de couper les clous. Inspectez la présence de clous sur la pièce et retirez-les avant toute opération de coupe.**
- m. **Ne coupez pas une pièce surdimensionnée.**
- n. **Assurez-vous que la lame ne touche pas la pièce avant de mettre l'outil en marche.**
- o. **Ne laissez pas l'outil en marche inutilement.** N'utilisez l'outil que lorsque vous le tenez avec la main.
- p. **Certains matériaux contiennent des produits chimiques qui peuvent être toxiques.** Faites preuve de prudence afin d'éviter l'inhalation de poussières et le contact avec la peau. Suivez les données de sécurité du fournisseur des matériaux en question.
- q. **Arrêtez toujours l'outil et attendez que la lame soit à l'arrêt complet avant de retirer la lame de la pièce coupée.**

### Consignes de sécurité supplémentaires



**AVERTISSEMENT :** Nous recommandons l'utilisation d'un dispositif à courant résiduel avec un courant résiduel nominal de 30 mA ou moins.

### RISQUES RÉSIDUELS

Malgré l'application des instructions de sécurité en vigueur et la mise en œuvre des dispositifs de sécurité, certains risques résiduels ne peuvent être évités. Ces risques sont les suivants:

- Troubles de l'audition.
- Risques de blessures corporelles dues aux particules volantes.
- Risques de brûlures dues à la chaleur des accessoires pendant l'utilisation.
- Risques de blessures corporelles dues à un usage prolongé.
- Risques d'explosion de poussières de substances dangereuses.

### ÉTIQUETTES DE L'OUTIL

En plus des pictogrammes utilisés dans ce manuel, les étiquettes sur l'outil montrent les pictogrammes suivants :



Lisez le manuel d'instructions avant toute utilisation.



Portez toujours des lunettes de protection.



Portez des protège-oreilles.

### Position de code de la date (fig. B)

Le code de la date (13), qui comporte également l'année de fabrication, est imprimé sur le logement.

Exemple :

2017 XX XX

Année de fabrication du contenu de l'ensemble

### L'ENSEMBLE CONTIENT

- 1 sciesauteuse
- 1 lame
- 1 manuel d'instruction
- 1 clé de serrage
- 1 carte de garantie
- 1 liste de centres de services
- Vérifiez que l'outil, les pièces détachées et les accessoires n'ont pas été endommagés durant le transport.
- Prenez le temps de bien lire et comprendre ce manuel avant d'utiliser l'outil.

### Description (fig. de A à J)



**AVERTISSEMENT :** Ne modifiez jamais l'outil électrique ou toute partie de celui-ci. Des dommages ou des blessures pourraient en résulter.

1. Gâchette
2. Bouton de verrouillage
3. Bouton de réglage de la vitesse
4. Cache-poussière

5. Actionneur du serre-lame
6. Serre-lame
7. Lame de scie
8. Sélecteur de mouvement pendulaire
9. Semelle
10. Trou d'évacuation de la poussière
11. Clé de serrage
12. Vis du serre-lame
13. code de date
14. Embout d'aspirateur (en option)
15. Vis de semelle
16. Ligne de découpe
17. Guide de référence (en option)
18. Vis (en option)
19. Barre de serrage (en option)

- Relâchez l'actionneur du serre-lame (5).
- Baissez le cache-poussière (4).

### (SJ45) (Fig. A-2)

- Desserrez (sans les retirer) les deux vis du serre-lame (12).
- Tenez la lame (7) avec les dents vers l'avant.
- Insérez l'accroche de la lame (7) dans le serre-lame (6) aussi loin que possible.
- Serrez légèrement les deux vis du serre-lame (12) alternativement afin de positionner la lame, puis serrez complètement les deux vis du serre-lame (12).



**AVERTISSEMENT** : 1. Nettoyez toujours tous les copeaux ou corps étrangers adhérant à la lame et/ou au serre-lame. Toute omission de le faire peut entraîner un serrage insuffisant de la lame et causer de graves blessures.

2. Ne touchez pas la lame ou la pièce immédiatement après leur utilisation, elles peuvent être très chaudes et brûler la peau.
3. Attachez toujours la lame fermement. Un serrage insuffisant de la lame peut provoquer sa rupture ou des blessures graves.
4. Utilisez uniquement des lames de type T. L'utilisation de lames d'un type autre que le type T entraînera un serrage insuffisant de la lame et de graves blessures.
5. Utilisez la lame de scie adaptée au type de pièces à découper pour obtenir de meilleurs résultats de coupe.

### Connexion d'un aspirateur à l'outil (fig. C)

- Glissez l'embout de l'aspirateur (14) dans le trou d'évacuation de la poussière (10).

### Risques résiduels

Il se peut que des risques résiduels additionnels non inclus dans les avertissements de sécurité du présent manuel surviennent lors de l'utilisation de l'outil. Ces risques peuvent provenir d'une utilisation inappropriée ou prolongée, etc.

Malgré l'application des instructions de sécurité en vigueur et la mise en œuvre des dispositifs de sécurité, certains risques résiduels ne peuvent être évités. Ces risques comprennent :

- Des blessures provoquées par le contact avec des pièces mobiles / rotatives.
- Des blessures provoquées lors du changement des pièces, lames ou accessoires.
- Des blessures provoquées par un usage prolongé d'un outil. Assurez-vous de prendre régulièrement des pauses lors d'un usage prolongé d'un outil.
- Troubles de l'audition.
- Il existe des risques pour la santé causés par l'inhalation de poussières qui se développent lors de l'utilisation de votre outil (exemple : travailler avec du bois, en particulier du chêne, du hêtre ou du MDF).

## SÉCURITÉ ÉLECTRIQUE

Une seule tension est applicable à cet outil. Assurez-vous que l'alimentation correspond à la tension indiquée sur la plaque signalétique.



Votre outil Stanley est équipé d'une double isolation, de ce fait, il n'a pas besoin d'être mis à la terre.

Lorsque le cordon d'alimentation est endommagé, envoyez-le au centre de services après-vente de STANLEY pour le faire remplacer par un cordon spécialement préparé.

## UTILISATION D'UNE RALLONGE

Si une rallonge est nécessaire, utilisez une rallonge agréée à 3 fils, adaptée à la puissance absorbée par cet outil (voir les **Caractéristiques techniques**). La section minimale des conducteurs est de 1,5 mm<sup>2</sup>, la longueur maximale est de 30 mètres.

Lorsque vous utilisez un rouleau à câble, déroulez-le toujours complètement.

## MONTAGE ET RÉGLAGE



**AVERTISSEMENT** : Pour réduire le risque de blessures physiques graves, arrêtez l'outil et débranchez-le du secteur avant de réaliser des réglages ou de démonter/installer des accessoires. Avant de rebrancher l'outil, appuyez sur la gâchette et relâchez-la pour vous assurer que l'outil est déjà hors tension. Un démarrage accidentel peut provoquer des blessures.

### Installation de la lame de scie :

#### (SJ60) (Fig. A-1)

- Soulevez le cache-poussière (4).
- Tenez la lame (7) comme illustré, les dents vers l'avant.
- Éloignez l'actionneur du serre-lame (5) de la semelle (9).
- Insérez l'accroche de la lame dans le serre-lame (6) aussi loin que possible.

**MODE D'EMPLOI**

**Ajustement de la semelle pour les coupes en biseau (fig. D)**

**Avertissement !** N'utilisez jamais l'outil lorsque la semelle est desserrée ou retirée. Attachez toujours la semelle fermement avant d'utiliser l'outil électrique. Un serrage insuffisant de la semelle peut provoquer des blessures graves.

La semelle (9) peut être réglée avec un angle de biseau à droite ou à gauche de 45°.

- Soulevez le cache-poussière (4).
- Desserrez les deux vis de la semelle (15).
- Tirez la semelle (9) vers l'avant, tournez-la vers la gauche ou la droite et poussez-la dans la position à 45°.
- Serrez les vis de la semelle (15).

**Pour régler la semelle pour les coupes à 90° :**

- Desserrez les deux vis de la semelle (15).
- Tirez la semelle (9) vers l'avant, tournez-la vers le centre et poussez-la dans la position à 0°.
- Serrez les vis de la semelle (15).
- Baissez le cache-poussière (4).
- **AVERTISSEMENT :** Baissez le cache-poussière pour empêcher toute projection de copeaux. Toutefois, lorsque vous faites des coupes en biseau, soulevez-le complètement.

**Commande à vitesse variable :**

- (SJ60)(Fig. A-1) : Un bouton de réglage de la vitesse (3) se trouve sur le dessus de la scie sauteuse. La vitesse augmente lorsque le bouton est tourné de la position 1 (vitesse minimale) à la position 6 (vitesse maximale).
- (SJ45)(Fig. E) : Un bouton de réglage de la vitesse (3) se trouve au-dessus de la gâchette. Tournez le bouton dans la direction « + » pour augmenter la vitesse et dans la direction « - » pour la diminuer.
- Consultez le tableau pour sélectionner la vitesse adaptée à la pièce à découper. Cependant, la vitesse appropriée peut varier avec le type ou l'épaisseur de la pièce. En général, les vitesses plus élevées permettent de faire des découpes plus rapidement, mais la durée de vie de la lame est alors réduite.

Pièce à découper	Réglage du bouton de vitesse du SJ60	Vitesse de SJ45
Bois	5-6	vitesse élevée
Acier inoxydable	3-4	vitesse moyenne
Acier doux	3-6	
Aluminium	3-6	
Plastique	1-4	

- **AVERTISSEMENT :** Si l'outil fonctionne en continu à basse vitesse pendant une longue période, le moteur va être surchargé et chauffer.

**Mise en marche et arrêt (fig. A-1, fig. A-2)**

- Pour mettre l'outil en marche, appuyez sur la gâchette (1).
- Pour un fonctionnement continu, appuyez sur la gâchette (1), puis appuyez sur le bouton de verrouillage (2).
- Pour arrêter l'outil, relâchez la gâchette. Pour éteindre l'outil lorsqu'il est en mode de fonctionnement continu, appuyez à nouveau sur la gâchette et relâchez-la.

**Comment utiliser la ligne de vision (fig. F)**

- Marquez la ligne de découpe avec un crayon.
- Positionnez la scie sauteuse sur la ligne (16).
- En regardant du dessus de la scie sauteuse, la ligne de découpe doit pouvoir être suivie facilement.

**Mode de coupe (SJ60 uniquement)**

- Le mouvement pendulaire permet à la lame d'être plus agressive, tout en étant adapté à la découpe de matériaux plus souples, tels que le bois et le plastique. Il procure une coupe plus rapide mais une découpe moins lisse du matériau. Votre scie sauteuse dispose d'un bouton pour régler le mouvement pendulaire. L'utilisation de ce bouton est décrite dans la section suivante.
- Avertissement : N'utilisez jamais le mouvement pendulaire pour couper le métal.

**Bouton de mouvement pendulaire (fig. G – SJ60)**

- Le modèle SJ60 dispose de 4 modes de découpe avec un mouvement pendulaire croissant :
- Position 0 : métal, feuille de métal et aluminium (pas de mouvement pendulaire).
- Position I : bois stratifié, bois dur et plans de travail.
- Position II : contreplaqué et PVC/plastique.
- Position III : bois souple et découpe rapide.

**Pour régler le mouvement pendulaire (fig. G) :**

- Tournez le sélecteur de mouvement pendulaire (8) dans la position souhaitée.

**Découpage**

Tenez fermement l'outil avec des deux mains lorsque vous effectuez une découpe (fig. H).

La semelle (9) doit être maintenue fermement contre la pièce en cours de découpage. Cette technique permet d'empêcher les mouvements incontrôlés de la scie, et de réduire les vibrations et les cassures de lame.

- Faites fonctionner la lame dans le vide quelques secondes avant de commencer le découpage.
- Appliquez une pression subtile sur l'outil durant la découpe.



## Conseils pour une utilisation optimale

### Découpage de surfaces laminées

Lorsque vous coupez des surfaces laminées, cela peut générer des fragmentations, susceptibles d'endommager la surface visible. Les lames les plus courantes coupent en remontant. Si la semelle repose sur la surface visible, utilisez une lame qui coupe en descendant, ou :

- utilisez une lame de scie à dents fines ;
- sciez sur le revers de la pièce à découper ;
- pour réduire les fragmentations, fixez une pièce de bois de rebut ou de bois dur de chaque côté de la pièce et traversez ce sandwich.

### Découpage de métal

**Avertissement !** N'utilisez aucun aspirateur lorsque vous découpez le métal. Les copeaux de métal sont chauds et susceptibles de prendre feu.

Sachez que le découpage du métal est bien plus long que celui du bois.

- Utilisez une lame adaptée à la découpe du métal.
- Lorsque vous découpez des feuilles de métal fines, fixez une pièce de bois de rebut sur le revers de la pièce et traversez ce sandwich.
- Répandez un film d'huile le long de la ligne de coupe.

### Guide de refente (en option)

- Grâce au guide de refente et au guide circulaire, il est facile de couper dans le sens de la longueur ou en rond, et ce sans utiliser de crayon.

### Fixation du guide de refente (fig. I)

- Insérez le guide de refente (17) dans les fentes de la semelle, avec la barre transversale tournée vers le bas, comme illustré à la figure I.
- Placez la vis (18) dans le trou au-dessous de la semelle.
- Alignez la barre de serrage (19) sur la vis avec le bord relevé tourné vers le bas et pointant vers l'arrière de la scie.
- À l'aide d'un tournevis cruciforme, visez la vis dans le trou fileté de la barre de serrage, comme illustré à la figure G.
- Ajustez à la longueur de la découpe et serrez la vis.

### Découpe de cercles (fig. J)

- Insérez le guide de refente dans la fente sur le côté droit de la semelle, avec la barre transversale tournée vers le haut.
- Ajustez-le pour que la distance entre la lame et le trou de la barre transversale soit égale au rayon souhaité, et serrez la vis.
- Placez la scie de sorte que le trou de la barre transversale se situe sur le centre du cercle à découper (effectuez une coupe plongeante, percez un trou pour la lame ou coupez du bord du matériel vers l'intérieur pour placer la lame).

- Une fois la scie correctement positionnée, dirigez un petit clou dans le trou de la barre transversale, au centre exact du cercle à découper.
- Utilisez le guide de refente comme bras pivotant et commencez à découper le cercle.

## ENTRETIEN

Votre outil STANLEY a été conçu pour fonctionner pendant une longue période avec un minimum d'entretien. Un fonctionnement continu satisfaisant de l'outil dépend d'un entretien soigneux et régulier.

- Nettoyez régulièrement les fentes d'aération de votre outil à l'aide d'une brosse douce et d'un chiffon sec.
- Nettoyez régulièrement le boîtier du moteur à l'aide d'un chiffon humide. N'utilisez pas d'agent nettoyant abrasif ou à base de solvant. Cet outil n'est pas réparable par l'utilisateur. Si des problèmes surviennent, consultez un agent de réparation agréé.



### Lubrification

Votre outil électrique ne nécessite aucune lubrification supplémentaire.



### Nettoyage



**AVERTISSEMENT :** Soufflez les saletés et la poussière qui pénètrent dans le cadre de l'outil avec de l'air sec dès que vous observez que de la saleté s'accumule à l'intérieur et autour des prises d'air. Portez des lunettes de protection et des masques anti-poussière approuvés lors de cette procédure.



**AVERTISSEMENT :** N'utilisez jamais de solvants ou autres produits chimiques corrosifs pour nettoyer les parties non métalliques de l'outil. Ces matériaux chimiques peuvent affaiblir les matériaux de ces parties. Utilisez uniquement un chiffon imbibé d'eau mélangée à un savon doux. Ne laissez jamais couler un liquide à l'intérieur et ne plongez jamais une partie quelconque de l'outil dans l'eau.

Pour maintenir la SÉCURITÉ et la FIABILITÉ des produits, toute réparation, inspection et remplacement des balais de charbon, et autre entretien ou réglage doit être effectué par un centre de services après-vente de STANLEY, en utilisant toujours des pièces de rechange d'origine Stanley.

### Accessoires en option



**AVERTISSEMENT :** Puisque les accessoires autres que ceux qui sont offerts par STANLEY n'ont pas été testés avec ce produit, l'utilisation de tels accessoires avec cet outil pourrait être dangereuse. Pour réduire le risque de blessures, seuls les accessoires recommandés par STANLEY devraient être utilisés avec ce produit.

Consultez votre revendeur pour obtenir de plus amples informations sur les accessoires appropriés.

**Protection de l'environnement**



Collecte sélective. Ce produit ne doit pas être mis au rebut avec les ordures ménagères normales.

Si vous deviez un jour remplacer votre produit STANLEY ou si vous ne l'utilisez plus, ne le jetez pas avec les ordures ménagères. Faites en sorte que ce produit soit traité séparément.



STANLEY met à disposition un centre de collecte et de recyclage pour les produits STANLEY en fin de vie. Et pour en tirer parti, vous devez retourner

votre produit à un agent de réparation agréé qui se chargera de la collecte.

Vous pouvez trouver l'agent de réparation agréé le plus proche en contactant votre agence STANLEY locale à l'adresse indiquée dans ce manuel. Autrement, une liste d'agents de réparation agréés STANLEY et des informations complètes concernant notre service après-vente, y compris les coordonnées, sont disponibles en ligne à l'adresse suivante : [www.2helpU.com](http://www.2helpU.com).

**Remarques**

STANLEY mène une politique d'amélioration continue de ses produits et se réserve, de ce fait, le droit d'en modifier les caractéristiques sans préavis.

Les accessoires ou équipements peuvent varier selon le pays.

Les spécifications du produit peuvent varier selon le pays.

La gamme complète du produit peut ne pas être disponible dans tous les pays. Contactez votre revendeur STANLEY local concernant la disponibilité de la gamme.

**Information concernant les centres de services**

STANLEY offre un réseau complet de centres de services agréés ou détenus par STANLEY dans votre pays. Tous les centres de services STANLEY disposent d'un personnel formé afin de fournir un service efficace et de confiance aux clients concernant les outils électriques. Que vous ayez besoin de conseils techniques, de réparation ou de pièces de rechange d'usine d'origine, contactez le centre de services STANLEY le plus proche de vous.

**CARACTÉRISTIQUES TECHNIQUE**

Sciesauteuse		SJ45	SJ60
Tension	V <sub>AC</sub>	220-240	220-240
Fréquence	Hz	50/60	50/60
Alimentation électrique	W	450	600
Vitesse nominale	min <sup>-1</sup>	500-3000	500-3000
Découpage en biseau	degré	+/-45	+/-45
Épaisseur max. de coupe, bois/acier/aluminium	mm	65/6/10	75/6/10
Longueur de course	mm	19	19
Mouvement pendulaire		Non	Oui
Poids	kg	1,8	1,9

**Garantie 2 an**

Si votre appareil STANLEY s'avère défectueux en raison d'un vice de matériau ou de fabrication dans les 24 mois à compter de sa date d'achat, STANLEY garantit le remplacement gratuit de toute pièce défectueuse ou – à notre discrétion – le remplacement gratuit de l'appareil, à condition que :

- L'appareil n'ait pas été utilisé avec négligence et qu'il ait été utilisé en suivant les instructions contenues dans ce manuel.
- L'appareil ait été soumis à une usure normale;
- Aucune réparation n'ait été effectuée par du personnel non autorisé;
- Une preuve d'achat soit fournie;
- L'appareil STANLEY soit retourné complet, avec l'ensemble de ses composants originaux;
- L'utilisateur n'a pas utilisé le produit à des fins locatives.

Pour avoir recours à la garantie, contactez votre revendeur ou consultez l'emplacement du centre de réparations agréé STANLEY le plus proche dans le catalogue STANLEY ou contactez le service clientèle STANLEY à l'adresse indiquée dans ce manuel. Une liste des centres de réparations agréés STANLEY et tout détail complémentaire concernant notre service après-vente sont à votre disposition sur notre site internet : [www.2helpU.com](http://www.2helpU.com)

**Kullanım amacı**

SJ45/SJ60 STANLEY dekupaj testereniz ahşap, plastik ve metal kesimi için tasarlanmıştır. Bu alet profesyonel kullanım içindir.

**GÜVENLİK TALİMATLARI**

Aşağıdaki tanımlar her işaret sözcüğü ciddiyet derecesini gösterir. Lütfen kılavuzu okuyunuz ve bu simgelere dikkat ediniz.



**TEHLİKE:** Engellenmemesi halinde ölüm veya ciddi yaralanma ile sonuçlanabilecek çok yakın bir tehlikeli durumu gösterir.



**UYARI:** Engellenmemesi halinde ölüm veya ciddi yaralanma ile sonuçlanabilecek potansiyel bir tehlikeli durumu gösterir.



**DİKKAT:** Engellenmemesi halinde önemsiz veya orta dereceli yaralanma ile sonuçlanabilecek potansiyel bir tehlikeli durumu gösterir.

**İKAZ:** Engellenmemesi halinde maddi hasara neden olabilecek, yaralanma ile ilişkisi olmayan durumları gösterir.



**Elektrik çarpması riskine işaret eder.**



**Yangın riskini belirtir.**



**Uyarı:** Yaralanma riskini azaltmak için, kullanım kılavuzunu okuyun.

**Elektrikli el aletleri için genel güvenlik talimatları**

**UYARI!** Bu elektrikli alet ile verilen tüm güvenlik uyarıları, talimatlar, resimli açıklamalar ve teknik özellikleri okuyun. Aşağıda belirtilen tüm talimatların herhangi birisine uyulmaması elektrik çarpması, yangın ve/veya ciddi yaralanma riskine neden olabilir.

**Bütün uyarı ve güvenlik talimatlarını ilerde bakmak üzere saklayın.** Uyarılarda yer alan «elektrikli alet» terimi şebeke elektriğiyle (kablolu) veya akü/pille (şarjlı) çalışan elektrikli aletinizi ifade etmektedir.

**1. Çalışma alanının güvenliği**

- Çalışma alanını temiz ve aydınlık tutun.** Dağınık ve karanlık alanlar kazaya davetiye çıkarır.
- Elektrikli aletleri, yanıcı sıvılar, gazlar ve tozların bulunduğu yerler gibi yanıcı ortamlarda çalıştırmayın.** Elektrikli aletler, toz veya dumanları ateşleyebilecek kıvılcımlar çıkarır.
- Bir elektrikli aleti çalıştırırken çocuklardan ve etraftaki kişilerden uzak tutun.** Dikkatinizi dağıtıcı şeyler kontrolü kaybetmenize neden olabilir.

**2. Elektrik güvenliği**

- Elektrikli aletlerin fişleri prizlere uygun olmalıdır. Fiş üzerinde kesinlikle hiçbir değişiklik yapmayın. Topraklı (topraklanmış) elektrikli aletlerde hiçbir adaptor fişi kullanmayın.** Değiştirilmemiş fişler ve uygun prizler elektrik çarpması riskini azaltacaktır.
- Borular, radyatörler, ocaklar ve buzdolapları gibi topraklanmış yüzeylerle vücut temasından kaçının.** Vücudunuzun topraklanması halinde yüksek elektrik çarpması riski vardır.
- Elektrikli aletleri yağmura maruz bırakmayın veya ıslatmayın.** Elektrikli alete su girmesi, elektrik çarpması riskini arttıracaktır.
- Kablosuna zarar vermeyin. Elektrikli aleti kesinlikle kablodan tutarak taşımayın, çekmeyin veya prizden çıkarmayın. Kabloyu sıckattan, yağdan, keskin kenarlardan veya hareketli parçalardan uzak tutun.** Hasarlı veya dolaşmış kablolar elektrik çarpması riskini artırır.
- Elektrikli aleti açık havada kullanırken, açık hava kullanımına uygun bir uzatma kablosu kullanın.** Açık havada kullanıma uygun bir kablonun kullanılması elektrik çarpması riskini azaltır.
- Eğer bir elektrikli aleti nemli bir bölgede çalıştırması zorunluysa, bir artık akım aygıtı (RCD) korumalı bir kaynak kullanın.** Bir RCD kullanılması elektrik çarpması riskini azaltır.

**3. Kişisel güvenlik**

- Elektrikli bir alet kullanırken her zaman dikkatli olun, yaptığınız işe yoğunlaşın ve sağduyulu davranın. Elektrikli bir aleti yorgunken veya ilaç ya da alkolün etkisi altındayken kullanmayın.** Elektrikli aletleri kullanırken bir anlık dikkatsizlik ciddi yaralanmalara yol açabilir.
- Kişisel koruyucu ekipmanları mutlaka kullanın.** Daima koruyucu gözlük takın. Koşullara uygun toz maskesi, kaymayan güvenli ayakkabıları, baret veya kulaklık gibi koruyucu donanımların kullanılması kişisel yaralanmaları azaltacaktır.
- İstem dışı çalıştırılmasını önleyin. Cihazı güç kaynağına ve/veya aküye bağlamadan, kaldırmadan veya taşımadan önce düğmenin kapalı konumda olduğundan emin olun.** Aleti, parmağınız düğme üzerinde bulunacak şekilde taşımak veya açık konumdaki elektrikli aletleri elektrik şebekesine bağlamak kazaya davetiye çıkarır.
- Elektrikli aleti çalıştırmadan önce herhangi bir ayarlama anahtarını veya vida anahtarını çıkarın.** Elektrikli aletin hareketli parçasına takılı bırakılan bir vida anahtarı veya anahtar, kişisel yaralanmaya neden olabilir.
- Ulaşmakta zorlandığınız yerlerde kullanmayın. Her zaman sağlam ve dengeli basın.** Bu, beklenmedik durumlarda elektrikli aletin daha iyi kontrol edilmesine olanak tanır.

- f. **Uygun şekilde giyinin. Bol giysiler giymeyin ve takı takmayın. Saçınızı, giysinizi ve eldivenlerinizi hareketli parçalardan uzak tutun.** Bol giysiler, takılar veya uzun saçlar hareketli parçalara takılabilir.
- g. **Eğer kullandığınız üründe toz emme ve toplama özellikleri olan ataşmalar varsa bunların bağlı olduğundan ve doğru şekilde kullanıldığından emin olun.** Bu toz toplama ataşmanların kullanılması tozla ilgili tehlikeleri azaltabilir.
- h. **Aletlerin sık kullanımından edindiğiniz aşinalığın sizi dikkatsiz kalmasına ve alet güvenlik prensiplerini önemsememeye izin vermeyin.** Dikkatsiz bir eylem, bir saniyeden daha az sürede ciddi yaralanmalara neden olabilir.
4. **Elektrikli aletlerin kullanımı ve bakımı**
- a. **Elektrikli aleti zorlamayın. Uygulamanız için doğru elektrikli aleti kullanın.** Doğru elektrikli alet, belirlendiği kapasite ayarında kullanıldığında daha iyi ve güvenli çalışacaktır.
- b. **Düğme açmıyor ve kapatmıyorsa elektrikli aleti kullanmayın.** Düğmeyle kontrol edilemeyen tüm elektrikli aletler tehlikelidir ve tamir edilmesi gerekmektedir.
- c. **Herhangi bir ayarlama, aksesuar değişimi veya elektrikli aletlerin saklanması öncesinde fişi güç kaynağından çekin.** Bu tür önleyici güvenlik tedbirleri aletin istem dışı çalıştırılması riskini azaltır.
- d. **Elektrikli aleti, çocukların ulaşamayacağı yerlerde saklayın ve elektrikli aleti tanımayan veya bu talimatları bilmeyen kişilerin elektrikli aleti kullanımına izin vermeyin.** Elektrikli aletler, eğitimsiz kullanıcıların elinde tehlikelidir.
- e. **Elektrikli aletlerin bakımını yapın. Hareketli parçalardaki hizalama hatalarını ve tutuklukları, parçalardaki kırılmalar ve elektrikli aletin çalışmasını etkileyebilecek tüm koşulları kontrol edin. Hasarlı ise, elektrikli aleti kullanmadan önce tamir ettirin.** Kazaların çoğu, elektrikli aletlerin bakımının yeterli şekilde yapılmamasından kaynaklanır.
- f. **Kesim aletlerini keskin ve temiz tutun.** Bakımı uygun şekilde yapılmış keskin kesim uçlu kesim aletlerinin sıkışma ihtimali daha düşüktür ve kontrol edilmesi kolaydır.
- g. **Elektrikli aleti, aksesuarlarını ve aletin diğer parçalarını vs. kullanırken bu talimatlara mutlaka uyun ve elektrikli alet türü için öngörüldüğü şekilde, çalışma ortamının koşullarını ve yapılacak işin ne olduğunu göz önünde bulundurun.** Elektrikli aletin öngörülen işlemler dışındaki işlemler için kullanılması tehlikeli durumlara neden olabilir.
- h. **Kolları ve kavrama yüzeylerini kuru, yağsız ve gressiz tutun.** Kaygan kollar ve kavrama yüzeyleri, beklenmeyen durumlarda aletin güvenli bir şekilde taşınması ve kontrol edilmesine izin vermez.

## 5. Servis

- a. **Elektrikli aletinizi, sadece orijinal yedek parçaların kullanıldığı yetkili servise tamir ettirin.** Bu, elektrikli aletin güvenliğinin muhafaza edilmesini sağlayacaktır.

## ÖZEL EK GÜVENLİK TALİMATLARI

### Dekupaj testere için güvenlik talimatları

- a. **Kesme aksesuarının gizli kablolarına veya kendi kablosuna temas edebileceği yerlerde çalışma yaparken elektrikli aleti yalıtımlı kavrama yüzeylerinden tutun.** Kesme aksesuarının «akım taşıyan» bir kabloya temas etmesi durumunda elektrikli aletin metal kısımları da «akım taşıyıcı» hale gelecek ve kullanıcının elektrik çarpmasına neden olabilir.
- b. **Üzerinde çalıştığınız parçayı sabitlemek ve desteklemek için kelepçeler veya başka pratik yöntemler kullanın.** Parçayı elle veya vücudunuza dayamanız dengesiz durmasına neden olacaktır ve aletin kontrolünü kaybetmenize yol açabilir.
- c. **Ellerinizi kesim alanından uzak tutun.** Çalıştığınız parçanın altına hiçbir nedenle girmeyin. Şekillendirilmiş tutma yerinden testerenin ön kısmını tutun. Pistonlu bıçak ve bıçak kelepçesinin yakınına parmaklarınızı veya başparmağınızı sokmayın. Testereyi tabanından tutarak dengelemeye çalışmayın.
- d. **Bıçakları keskin durumda muhafaza edin.** Körelmiş bıçaklar testerenin basınç altında başka bir yöne fırlamasına veya sıkışmasına neden olabilir.
- e. **Boru veya kanal keserken içlerinden su, elektrik kablosu vb. geçmediğinden emin olun.**
- f. **Bıçağı yarıktan (kesme işleminin yarattığı yuva) çıkarmadan önce motorun tamamen durmasını bekleyin.** Hareketli bir bıçak iş parçasına çarparak bıçak kırılmasına, iş parçası hasarına veya kontrol kaybı ve yaralanmaya neden olabilir.
- g. **Aletle çalıştıktan sonra çalışma parçası veya bıçağı dokunmayın.** Çok sıcak olabilirler.
- h. **Tutma kollarını temiz, kuru, yağsız ve gressiz tutun.** Bu, aletin daha iyi kontrol edilmesine olanak tanır.
- i. **Aleti sık sık, özellikle yoğun kullanımdan sonra temizleyin.** Metal içeren toz ve parçacıklar sık sık iş yüzeylerde birikir ve elektrik şoku tehlikesine neden olabilir.
- j. **Bu aleti uzun süre çalıştırmayın.** Çalışma hareketinin neden olduğu titreşim parmak, el ve kollarda kalıcı yaralanmaya neden olabilir. Fazladan koruma sağlamak için eldiven kullanın, sık sık dinlenin ve günlük kullanma zamanını sınırlayın.
- k. **Kesim sırasında üretilen toz ile uzun süreli temastan kaçının. Koruyucu giysiler giyin ve açıkta kalan yerlerinizi sabun ve su ile yıkayın.** Tozun ağıza, göze girmesi veya cilt üzerinde bulunması zararlı kimyasallar emilimini teşvik edebilir.

- l. Çivileri kesmeyin. İş parçasında herhangi bir çivi olup olmadığını kontrol edin ve çalışmadan önce çıkarın.
- m. Büyük boy iş parçaları kesmeyin.
- n. Aletini tetiğine basmadan önce bıçağın, üzerinde çalışılacak parça ile temas etmediğinden emin olun.
- o. Çalışan aleti tek başına bırakmayın. Aleti yalnızca elle tutarak çalıştırın.
- p. Bazı malzemeler toksik olabilecek kimyasalları içerir. Toz yutulması ve cilt temasını önlemek için dikkatli olun. Malzeme tedarikçisinin güvenlik verilerini takip edin.
- q. Bıçağı malzemeden çıkartmadan önce aleti daima kapatın ve testere bıçağının tamamen durmasını bekleyin.

### Ek güvenlik talimatları

Bu alet, tel tekerlek fırça ve tel çanak fırçaları ile kullanılacak şekilde tasarlanmamıştır.



**UYARI:** Alet, 30mA akımı aşmayan akım kesici cihazla beraber kullanılmaya tavsiye edilir.

### Diğer Tehlikeler

Emniyet tedbirlerini düzenleyen yönetmeliğin uygulanmasına ve emniyet sağlayıcı aygıtların kullanılmasına rağmen, başka belirli risklerden kaçınılamaz. Bunlar:

- Duyma bozukluğu
- Sıçrayan parçacıklardan kaynaklanan yaralanma riski.
- Çalışma sırasında ısınan aksesuarlardan kaynaklanan yanık tehlikesi.
- Uzun süreli kullanımdan kaynaklanan yaralanma riski.
- Tehlikeli maddeler içeren tozun oluşması riski.

### Alet Üzerindeki Etiketler

Bu kılavuzda kullanılan semboller ilave olarak, alet üzerinde bulunan etiketler aşağıdaki sembolleri belirtmektedir:



Aletle çalışmaya başlamadan önce bu kılavuzu okuyun.



Koruyucu gözlük takın.



Kulaklık takın.

### Tarih kodu konumu (ŞEKİL B)

İmalat yılını da içeren Tarih Kodu (13) gövdeye basılıdır.

Örnek:

2017 XX XX  
İmalat Yılı

### Ambalaj, Aşağıdaki Parçaları İçermektedir

- 1 Dekupaj testere
- 1 Testere bıçağı
- 1 Kullanım kılavuzu
- 1 Anahtar

- 1 Garanti kartı
- 1 Servis merkezleri listesi

- Alette, parçalarda veya aksesuarlarda nakliye sırasında meydana gelmiş olabilecek hasarı kontrol edin.
- Aleti çalıştırmadan önce, bu kullanım kılavuzunu baştan sonra okuyup anlamak için gerekli zamanı ayırın.

### Açıklama (Şekil A - J)



**UYARI:** Hiçbir zaman elektrikli aleti veya herhangi bir parçasını değiştirmeyin. Hasarla veya yaralanmayla sonuçlanabilir.

1. Açma/kapama tetiği
2. Kesintisiz çalıştırma düğmesi
3. Hız kontrol kadranı
4. Toz kapağı
5. Bıçak değiştirme mandalı
6. Bıçak yuvası
7. Testere bıçağı
8. Pandül hareketi ayar düğmesi
9. Testere tabanı
10. Toz atma çıkışı
11. Anahtar
12. Vidalı bıçak yuvası
13. Tarih kodu
14. Elektrik süpürge nozülü (isteğe bağlı)
15. Vidalı taban
16. Kesme hattı
17. Yarık siperliği (isteğe bağlı)
18. Vida (isteğe bağlı)
19. Kelepçe çubuğu (isteğe bağlı)

### Elektrik Güvenliği

Bu alet, sadece tek bir gerilim ile çalışacak şekilde ayarlanmıştır. Her zaman şebeke geriliminin aletin üretim etiketinde belirlenmiş değerlere uyup uymadığını kontrol edin.



Stanley aletiniz çift yalıtımlıdır; bu yüzden hiçbir topraklama kablosuna gerek yoktur

Güç kablosu hasarlıysa, STANLEY yetkili servisinden temin edilebilen özel olarak hazırlanmış bir kabloyla değiştirilmelidir.

### UZATMA KABLOLARININ KULLANIMI

Bir uzatma kablosu gerekli ise, bu aletin elektrik girişine uygun (Teknik Özellikleri bölümüne bakın), onaylı bir 3 telli uzatma kablo kullanın. Minimum iletken boyutu 1,5 mm<sup>2</sup>'dir; maksimum uzunluk 30 m'dir.

Bir kablo makarası kullanırken, kabloyu daima sonuna kadar açın.

**MONTAJ VE AYARLAMA**

**UYARI:** Ciddi yaralanma riskini azaltmak için herhangi bir ayar yapmadan ya da parça veya aksesuarları söküp takmadan önce aleti kapatın ve güç kaynağından ayırın. Aleti yeniden bağlamadan önce aletin kapalı olduğundan emin olmak için tetiğe basıp bırakın. Aletin yanlışlıkla çalıştırılması yaralanmaya neden olabilir.

**Testere bıçağının takılması****(SJ60) (Şekil A-1)**

- Toz kapağını (4) kaldırın.
- Testere bıçağını (7) gösterildiği gibi dişleri dışarı bakacak şekilde tutun.
- Bıçak değiştirme mandalını (5) testere tabanından (9) karşı tarafına itin.
- Testere bıçağının sap kısmını bıçak yuvasına (6) gittiği kadar sokun.
- Bıçak değiştirme mandalını (5) bırakın.
- Toz kapağını (4) aşağı indirin.

**(SJ45) (Şekil A-2)**

- İki vidalı bıçak yuvasını (12) gevşetin (sökmeyin).
- Testere bıçağını (7) dişleri dışarı bakacak şekilde tutun.
- Testere bıçağının sap kısmını (7) bıçak yuvasına (6) gittiği kadar sokun.
- İki vidalı bıçak yuvasını (12) sırayla hafifçe sıkarak bıçağı konumlandırın ve ardından iki vidalı bıçak yuvasını (12) sonuna kadar sıkın.



**UYARI:** Bıçak ve/veya bıçak tutucusuna yapışan tüm talaşları veya yabancı maddeleri daima temizleyin. Bunun yapılmaması, bıçağın yetersiz şekilde sıkışmasına ve ciddi kişisel yaralanmalara neden olabilir.

2. İşlemden hemen sonra bıçağa veya iş parçasına dokunmayın, aşırı derecede sıcak olabilir ve cildinizi yakabilir.
3. Bıçağı daima sağlam bir şekilde sabitleyin. Bıçağın yetersiz sıkışması, bıçak kırılması veya ciddi kişisel yaralanmalara neden olabilir.
4. Yalnızca T-tipi bıçakları kullanın. T-tipi bıçak dışındaki bıçakların kullanılması, bıçağın yetersiz şekilde sıkışmasına ve ciddi kişisel yaralanmalara yol açabilir.
5. Daha iyi kesme sonucu elde etmek için farklı iş parçalarının tipi için uygun testere bıçağını kullanın.

**Alete bir elektrikli süpürge bağlanması (Şekil C)**

- Elektrik süpürge nozulünü (14) toz atma çıkışının (10) içine itin.

**Diğer tehlikeler**

Aletin kullanımıyla ilgili ekte sunulan güvenlik uyarılarına dahil olmayan ilave kalıcı riskler ortaya çıkabilir. Bu riskler, hatalı, uzun süreli kullanım vb. dolayısıyla ortaya çıkabilir.

Emniyet tedbirlerini düzenleyen yönetmeliğin uygulanmasına ve emniyet sağlayıcı aygıtların kullanılmasına rağmen, başka belirli risklerden kaçınılamaz. Bunlar:

- Aletin dönen ve hareket eden parçalarına dokunma sonucu ortaya çıkan yaralanmalar.
- Herhangi bir parçayı, bıçak veya aksesuarı değiştirirken ortaya çıkan yaralanmalar.
- Aletin uzun süreli kullanılması sonucu ortaya çıkan yaralanmalar. Herhangi bir aleti uzun sürelerle kullanacaksanız düzenli olarak çalışmanıza ara verin.
- Duyma bozukluğu.
- Aleti kullanırken ortaya çıkan tozun solunması sonucu ortaya çıkan sağlık sorunları (örnek: ahşapta çalışırken, özellikle meşe, akgürgen ve MDF).

**KULLANIM****Açılı kesimler için testere tabanının ayarlanması (Şekil D)**

**Uyarı!** Aleti, tabanı gevşek veya çıkartılmışken kesinlikle kullanmayın. Elektrikli aleti kullanmadan önce tabanı daima sıkıca sabitleyin. Tabanın yetersiz sıkışması, ciddi kişisel yaralanmalara neden olabilir.

Testere tabanı (9) 45° sol veya sağa eğimli açılara ayarlanabilir.

- Toz kapağını (4) kaldırın.
- Testere tabanının iki vidayı (15) gevşetin.
- Testere tabanını (9) ileri çekin, sola veya sağa döndürün ve 45° konumuna geri itin.
- Testere tabanının iki vidayı (15) sıkın.

**Testere tabanını 90° açılı kesimlere göre sıfırlamak için:**

- Testere tabanının iki vidayı (15) gevşetin.
- Testere tabanını (9) öne çekin, ortaya çevirin ve 0° konumuna geri itin.
- Testere tabanının iki vidayı (15) sıkın.
- Toz kapağını (4) aşağı indirin.
- **UYARI:** Talaşların uçmasını önlemek için toz kapağını aşağı indirin. Bununla birlikte, açılı kesimler yaparken toz kapağını tamamen kaldırın.

**Değişken hız kontrolü:**

- (SJ60) (Şekil A-1): Hız kontrol kadranı (3) dekupaj testerenin üst kısmında bulunur. Kadranı çevirirken hız, düşük devir ayarından (1) yüksek devir ayarına (6) kadar ayarlanır.

- (SJ45) (Şekil E): Hız kontrol kadranı (3) tetiğin üst kısmında bulunur. Hızı arttırmak için hız kontrol kadranını «+» yönüne çevirin, hızı azaltmak için hız kontrol kadranını «-» yönüne çevirin.
- Kesilecek iş parçası için uygun hızı seçmek için tabloya bakın. Bununla birlikte, uygun hız, iş parçasının türü veya kalınlığına göre değişebilir. Genel olarak, daha yüksek hızlı iş parçalarını daha hızlı kesmenize izin verir, ancak bıçağın hizmet ömrü azalır.

Kesilecek malzeme	Hız kontrol kadranı üzerindeki rakam - SJ60	Vites - SJ45
Ahşap	5-6	Yüksek hız
Paslanmaz çelik	3-4	Orta hız
Yumuşak çelik	3-6	
Alüminyum	3-6	
Plastik	1-4	

- **UYARI:** Alet düşük devirlerde uzun süre çalıştırıldığında, motor aşırı yüklenir ve ısınır.

### Açılması ve kapatılması (Şekil A-1, Şekil A-2)

- Aleti açmak için, açma/kapama tetiğine (1) basın.
- Sürekli çalışması için tetiğe (1) basın ardından kesintisiz çalıştırma düğmesine (2) basın.
- Aleti kapatmak için, açma/kapama tetiğini bırakın. Kesintisiz çalışma konumundayken aleti kapatmak için tetiğe bir kez daha basın ve bırakın.

### Sightline özelliği nasıl kullanılır (Şekil F)

- Bir kurşun kalemle kesim hattını çizin.
- Dekupaj testereyi kesme hattının (16) üzerine yerleştirin.
- Dekupaj testerenin tam üzerinden bakarak kesme hattı kolayca izlenebilir.

### Kesme modu (sadece SJ60)

- Pandüllü harekette bıçak daha agresif bir hareket eder ve ahşap veya plastik gibi yumuşak malzeme kesim için tasarlanmıştır. Bu özellik daha hızlı ancak malzeme yüzeyinde daha az pürüzsüz bir kesim sağlar. Dekupaj testereniz pandül hareketi ayarlama düğmesi ile donatılmıştır. Bu düğmenin kullanılması sonraki bölümünde açıklanmıştır.
- **Uyarı:** Metal kesme için asla pandül hareketini kullanmayın.

### Pandül hareketi ayarlama düğmesi (Şekil G - SJ60)

- SJ60'de pandül hareketi artan miktarlarda dört kesme modu vardır:
- Konum 0: metal, alüminyum ve sac metal için (pandül hareketsiz).
- Konum I: laminatlar, sert ahşap, tezgahlar için.
- Konum II: kontrplak ve PVC/plastikler için.

- Konum III: yumuşak ahşap ve hızlı kesimler için

### Pandül hareketini ayarlamak için (Şekil G):

- Pandül hareketi ayarlama düğmesini (8) istenen konuma getirin.

### Kesme

Kesim sırasında aleti iki elinizle sıkıca tutun (Şekil H).

Taban (9), kesilen malzemeye sıkıca dayanmalıdır. Bu, testerenin sıçramasını önleyecek, titreşimi azaltacak ve bıçağın kırılma olasılığını en aza indirecektir.

- Kesme işlemine başlamadan önce bıçağın birkaç saniye boşta dönmesine izin verin.
- Kesme işlemi sırasında alete yalnızca hafif bir baskı uygulayın.

### En uygun kullanım için yararlı tavsiyeler

#### Laminatların kesilmesi

Lamine yüzeyleri keserken, malzemenin görünen yüzünden hasara yol açabilecek parçalanmalar meydana gelebilir. Testere bıçaklarının çoğu yukarı doğru dönerek kestiği için, testere tabanının malzemenin görünen yüzüne yerleştirilerek kesim yapıldığı hallerde ya aşağı yönde kesen bir testere bıçağı kullanın ya da:

- Hassas kesim bıçağı kullanın.
- Üzerinde çalıştığınız parçanın arka yüzünden kesin.
- Kıymıksız, temiz kesimler elde etmek için kesilen malzemenin her iki yüzüne de bir parça kontrplak veya sert tahta parçaları yerleştirin ve kesim işlemini bu şekilde yapın.

### Metal kesme

**Uyarı!** Metal keserken elektrikli süpürgeyi kullanmayın. Metal talaşlar sıcak olacak ve yangına neden olabilir.

Metal kesiminin ahşap kesiminden çok daha fazla zaman aldığını unutmayın.

- Metal kesmeye uygun bir testere bıçağı kullanın.
- Sacı keserken üzerinde çalıştığınız parçanın her iki yüzüne bir parça takoz sıkıştırın ve oluşan bloğun içinden kesin.
- Öngördüğünüz kesim hattı boyunca bir kat yağ sürün.

### Yarık siperliği (isteğe bağlı)

- Kalemle çizilen çizgi olmadan kolay bir şekilde yarık açmak ve daire kesmek için bir yarık siperliğini ve daire kılavuzunu kullanın .

### Yarık siperliğinin takılması (Şekil I)

- Şekil I'de gösterildiği gibi yarık siperliğini (17), çapraz çubuk aşağı bakacak şekilde testere tabanının yuvalarına sokun.

## TÜRKÇE (Çevirisi orijinal talimatlardan yapılmıştır)

- Testere tabanının altındaki deliğe vidayı (18) takın.
- Kelepçe çubuğunu, kıvrılmış kenar aşağı ve testerenin arkasına doğru bakacak şekilde vida üzerinde (19) hizalayın.
- Resim G'de gösterildiği gibi vidayı kelepçe çubuğunda bulunan dişi deliğe yıldız tornavida kullanarak takın.
- Kesme genişliğini ayarlayın ve vidayı sıkın.

### Daire kesme (Şekil J)

- Yarık siperliğini, çapraz çubuk yukarı bakacak şekilde testere tabanının sağ tarafında bulunan yuvaya sokun.
- Çapraz çubuk içindeki delikle bıçağın arasındaki mesafenin arzu edilen yarı çap olması için yarık siperliğini ayarlayın ve vidayı sıkın.
- Dekupaj testereyi çapraz çubuk üzerindeki merkezleme delik, kesilecek dairenin merkezine denk gelecek şekilde yerleştirin (bıçağın girmesi için dikine kesin, bir delik açın ya da bıçağı pozisyonuna getirmek için malzeme kenarından içeri doğru kesin).
- Testere doğru bir şekilde yerleştirildiğinde, çapraz çubuğun deliğinden kesilecek dairenin tam merkezine küçük bir çivi çakın.
- Yarık siperliğini dönme kolu olarak kullanarak daireyi kesmeye başlayın.

### BAKIM

STANLEY elektrikli aletiniz minimum bakımla uzun bir süre çalışacak şekilde tasarlanmıştır. Kesintisiz olarak memnuniyet verici bir şekilde çalışması gerekli özenin gösterilmesine ve düzenli temizliğe bağlıdır.

- Aletinizdeki havalandırma deliklerini yumuşak bir fırça veya kuru bir bezle düzenli olarak temizleyin.
- Motor muhafazasını düzenli olarak nemli bir bezle silin. Aşındırıcı veya çözücü bazlı temizleyiciler kullanmayın. Bu aletin servisi kullanıcı tarafından yapılamaz. Bir sorun çıkarsa, yetkili servisiyle temasa geçin.



#### Yağlama

Elektrikli aletiniz ek bir yağlama gerektirmemektedir.



#### Temizleme

**UYARI:** Havalandırma deliklerinde ve etrafında toz toplanması halinde bu tozu ve kiri kuru hava kullanarak ana gövdeden uzaklaştırın. Bu işlemi gerçekleştirirken onaylı bir göz koruması ve onaylı toz maskesi takın.



**UYARI:** Aletin metalik olmayan parçalarını temizlemek için asla çözücü veya başka sert kimyasal kullanmayın. Bu kimyasallar bu parçalarda kullanılan malzemeleri güçsüzeleştirir. Yalnızca su ve yumuşak sabunla nemlendirilmiş bir bez kullanın. Aletin içine sıvı kaçmasına kesinlikle

izin vermeyin; aletin herhangi bir parçasını bir sıvı içine daldırmayın.

Alet EMNİYET GÜVENLİĞİ ve GÜVENİLİRLİK için motor kömürünün kontrol edilmesi ve değiştirilmesi dahil olarak tamir, bakım ve ayarlamaların her zaman orijinal Stanley yedek parça kullanılarak, STANLEY yetkili servisler tarafından yapılması gerekmektedir.

### İlave Aksesuarlar



**UYARI:** STANLEY tarafından tedarik veya tavsiye edilenlerin dışındaki aksesuarlar bu ürün üzerinde test edilmediğinden, söz konusu aksesuarların bu aletle birlikte kullanılması tehlikeli olabilir. Yaralanma riskini azaltmak için bu ürünle birlikte sadece STANLEY tarafından tavsiye edilen aksesuarlar kullanılmalıdır.

Uygun aksesuarlarla ilgili daha ayrıntılı bilgi için bayiinize danışın.

### Çevrenin korunması



Ayrı olarak atın. Bu ürün, normal evsel atıklarla birlikte atılmamalıdır.

STANLEY ürününüzün değiştirilmesi gerektiğini düşünmeniz veya artık kullanılamaz durumda olması halinde onu, evsel atıklarla birlikte atmayın. Bu ürünü, ayrı olarak toplanacak şekilde atın.



STANLEY, hizmet ömrünün sonuna ulaşan STANLEY ürünlerinin toplanması ve geri dönüşüme sokulması için bir imkân sunmaktadır. Bu hizmetin avantajlarından faydalanmak için, lütfen, ürününüzü bizim adımıza teslim almak herhangi bir yetkili servise iade edin.

Bu kılavuzda belirtilen listeden size en yakın STANLEY yetkili tamir servisinin yerini öğrenebilirsiniz. Ya da, alternatif olarak internet'ten STANLEY yetkili tamir servislerinin listesini ve satış sonrası hizmetlerimizle ilgili tüm bilgiler ve temas bilgilerine aşağıdaki siteden ulaşabilirsiniz. [www.2helpU.com](http://www.2helpU.com)

### Notlar

STANLEY olarak, ürünlerimizi sürekli iyileştirme politikası uyguladığımızdan, önceden haber vermeden ürün özelliklerini değiştirme hakkını saklı tutarız.

Standart ekipman ve aksesuarlar ülkeye göre değişebilir.

Ürün özellikleri ülkelere göre farklı olabilir.

Komple ürün çeşidi tüm ülkelerde geçerli olmayabilir. Ürün çeşidi durumu hakkında lütfen en yakın STANLEY yetkili servisiyle temasa kurun.



**Servis bilgileri**

STANLEY kendisine ait servis merkezleri ve/veya yetkili servisleriyle tam bir ağı sunmaktadır. Tüm STANLEY Servis Merkezleri müşterilere etkili ve güvenilir elektrikli el aleti hizmeti sunmak için eğitilmiş personel ile donatılmıştır. Eğer teknik danışmanlık, onarım veya orijinal fabrika yedek parçası ihtiyacınız varsa, size en yakın STANLEY merkezine başvurun.

**TEKNİK ÖZELLİKLERİ**

DEKUPAJTESTERE		SJ45	SJ60
Voltaj	VAC	220~240	220~240
Frekans	Hz	50/60	50/60
Giriş gücü	W	450	600
Nominal hız	dev/dak	500-3000	500-3000
Açılı kesim	derece	+/-45	+/-45
Maks. kesme kapasitesi			
Ahşap/Çelik/Alüminyum	mm	65/6/10	75/6/10
Derinlik hareketi	mm	19	19
Pandül Ayarı		Yok	Var
Ağırlık	kg	1,8	1,9

**SJ45****EN62841-2-11'e göre tespit edilen toplam gürültü ve titreşim değerleri (üç yönün vektör toplamı):**L<sub>PA</sub> (ses basıncı düzeyi) dB(A) 84,5L<sub>WA</sub> (akustik güç düzeyi) dB(A) 95,5

K (akustik gücü belirsizliği) dB(A) 3

Kesme yonga tahtaları (a<sub>h</sub>) 4,9 m/s<sup>2</sup>, belirsizlik (K) 1,5 m/s<sup>2</sup>Kesme metal (a<sub>h</sub>) 4,3 m/s<sup>2</sup>, belirsizlik (K) 1,5 m/s<sup>2</sup>**SJ60****EN62841-2-11'e göre tespit edilen toplam gürültü ve titreşim değerleri (üç yönün vektör toplamı):**L<sub>PA</sub> (ses basıncı düzeyi) dB(A) 85,5L<sub>WA</sub> (akustik güç düzeyi) dB(A) 96,5

K (akustik gücü belirsizliği) dB(A) 3

Kesme yonga tahtaları (a<sub>h</sub>) 5,5 m/s<sup>2</sup>, belirsizlik (K) 1,5 m/s<sup>2</sup>Kesme metal (a<sub>h</sub>) 4,5 m/s<sup>2</sup>, belirsizlik (K) 1,5 m/s<sup>2</sup>**Titreşim**

Teknik veriler ve uygunluk beyanati içerisinde belirtilen titreşim emisyon değerleri EN60745 tarafından belirlenen standart bir test yöntemine uygun olarak ölçülmektedir ve

diğer bir aletle karşılaştırma yaparken kullanılabilir. Beyan edilen titreşim emisyon değeri aynı zamanda maruz kalmanın önceden değerlendirilmesinde de kullanılabilir.

**Uyarı!** Elektrikli aletin mevcut kullanımı sırasındaki titreşim emisyon değeri, aletin kullanım yöntemine bağlı olarak, beyan edilen değere göre farklılık sergileyebilir. Titreşim düzeyi belirlenen seviyenin üzerinde artış gösterebilir.

İşyerinde düzenli olarak elektrikli alet kullanan çalışanları korumak amacıyla 2002/44/EC tarafından getirilen elektrik güvenliği önlemlerini belirlemek üzere titreşime maruz kalmayı değerlendirirken, çalışma döngüsü içerisinde örneğin aletin kapalı olduğu ve aktif durumda olmasının yanı sıra boşta çalıştığı zamanlar gibi, bütün zaman dilimleri dahil olmak üzere mevcut kullanım durumu ve aletin kullanım şekli göz önünde bulundurularak değerlendirilmelidir.

**AT Uygunluk Beyanati**  
MAKİNE DİREKTİFİ**SJ45 / SJ60 - Dekupajtestere**

STANLEY, «teknik özellikleri» bölümünde açıklanan bu ürünlerin aşağıda belirtilen yönergelere uygun olduğunu beyan eder: 2006/42/EC, EN 62841-1, EN 62841-2-11

Bu ürünler ayrıca 2014/30/EU ve 2011/65/EU Direktiflerine de uygundur.

Daha fazla bilgi için, lütfen aşağıdaki adresten STANLEY ile irtibata geçin veya kılavuzun arkasına bakın.

Bu belge altında imzası bulunan yetkili, teknik dosyanın derlenmesinden sorumludur ve bu beyanı STANLEY adına vermiştir.

**R.Laverick**

Mühendislik Bölümü Müdürü  
STANLEY, Europe, Egide Walschaertsstraat14-18,  
2800 Mechelen, Belçika  
12.2017

## **İki yıl garanti**

Sahip olduğunuz STANLEY ürünü satın alma tarihinden itibaren 24 ay içinde hatalı malzeme veya işçilik nedeniyle bozulursa, STANLEY aşağıdaki şartlara uyulması koşuluyla ücretsiz olarak tüm kusurlu parçaların yenilenmesini veya -kendi inisiyatifine bağlı olarak- satın alınan ürünün değiştirilmesini garanti eder:

- Ürün, hatalı kullanılmamış kullanım kılavuzuna uygun kullanılmıştır.
- Ürün yıpranmamış, hırpalanmamış ve aşınmamıştır;
- Yetkili olmayan kişilerce tamire çalışılmamıştır.
- Satın alma belgesi (fatura) ibraz edilmiştir;
- STANLEY ürünü, tüm orijinal parçaları ile birlikte iade edilmiştir;
- Ürün kiralama amacıyla kullanılmamıştır.

Garanti talebinde bulunmak için, lütfen satıcıyla irtibata geçin veya STANLEY katalogunda belirtilen size en yakın STANLEY yetkili satıcı adresini kontrol edin veya ürünün kılavuzunda belirtilen adresteki yerel STANLEY yetkili tamir servisi ile temas kurun. İnternet'ten STANLEY yetkili tamir servislerinin listesine ve satış sonrası hizmetlerimizle ilgili tüm bilgilerine aşağıdaki siteden ulaşabilirsiniz: [www.2helpU.com](http://www.2helpU.com)

Sanayi ve Ticaret Bakanlığı tebligince kullanım ömrü 7 yıldır.

Türkiye Distribütörü  
STANLEY BLACK&DECKER TURKEY ALET ÜRETİM SAN. TIC.  
LTD.STİ.  
AND Kozyatağı  
İçerenköy Mahallesi Umut Sokak  
No:10-12 Kat :19 Ataşehir / İstanbul  
Tel : (0216) 665 29 00  
Faks : (0216) 665 29 01  
E-posta: [info-tr@sbdinc.com](mailto:info-tr@sbdinc.com)

## Назначение

Ваш лобзик STANLEY SJ45/SJ60 предназначен для пиления древесины, пластика и металла. Данный инструмент предназначен для профессионального использования.

## ИНСТРУКЦИИ ПО ТЕХНИКЕ БЕЗОПАСНОСТИ

Следующие определения указывают на степень важности каждого сигнального слова. Прочтите руководство по эксплуатации и обратите внимание на данные символы.



**ОПАСНО:** Означает чрезвычайно опасную ситуацию, которая **приводит к смертельному исходу или получению тяжёлой травмы.**



**ВНИМАНИЕ:** Означает потенциально опасную ситуацию, которая **может привести к смертельному исходу или получению тяжёлой травмы.**



**ПРЕДУПРЕЖДЕНИЕ:** Означает потенциально опасную ситуацию, которая **может привести к получению травмы лёгкой или средней тяжести.**

**ПРЕДОСТЕРЕЖЕНИЕ:** Означает ситуацию, **не связанную с получением телесной травмы**, которая, однако, **может привести к повреждению инструмента.**



**Риск поражения электрическим током!**



**Огнеопасность!**



**Внимание:** Внимательно прочтите руководство по эксплуатации для снижения риска получения травмы.

## Общие правила безопасности при работе с электроинструментами



**ВНИМАНИЕ!** Внимательно прочтите все инструкции по использованию, правила безопасности, спецификации, а также рассмотрите все иллюстрации, входящие в руководство по эксплуатации данного электроинструмента. Несоблюдение всех перечисленных ниже инструкций может привести к поражению электрическим током, возникновению пожара и/или получению серьёзной травмы.

Сохраните все инструкции по безопасности и руководство по эксплуатации для их дальнейшего использования. Термин «Электроинструмент» во всех приведённых ниже указаниях относится к Вашему

сетевому (с кабелем) или аккумуляторному (беспроводному) электроинструменту.

### 1. Безопасность рабочего места

- a. **Содержите рабочее место в чистоте и хорошо освещённым.** Беспорядок на рабочем месте или отсутствие освещения рабочего места может привести к аварии.
- b. **Не работайте с электроинструментом в месте хранения взрывоопасных материалов, например, в присутствии огнеопасных жидкостей, газов или пыли.** Электрические инструменты создают искры, которые могут воспламенить пыль или пары.
- c. **Дети и посторонние лица должны находиться как можно дальше во время работы с электроинструментом.** Вы можете отвлечься и потерять контроль.

### 2. Электробезопасность

- a. **Вилка электроинструмента должна соответствовать розетке. Никогда не модифицируйте вилку каким-либо образом. Не используйте никакие вилки-переходники с заземлёнными (замкнутыми на землю) электроинструментами.** Вилки и розетки, которые не подвергались никаким изменениям снижают риск поражения электрическим током.
- b. **Избегайте контакта тела с заземлёнными поверхностями, такими как трубы, радиаторы, плиты и холодильники.** Существует повышенный риск поражения электрическим током, если ваше тело заземлено.
- c. **Избегайте любого воздействия дождя или влаги на электроинструменты.** Вода, попавшая в электроинструмент, увеличивает риск поражения электрическим током.
- d. **Аккуратно обращайтесь со шнуром питания. Никогда не используйте шнур питания для переноски, перемещения или извлечения вилки из розетки. Держите шнур вдали от источников тепла, масла, острых краёв или движущихся частей.** Повреждённые или запутанные шнуры увеличивают риск поражения электрическим током.
- e. **При работе с электроинструментом на улице, используйте удлинитель, подходящий для наружного использования.** Использование кабеля, пригодного для использования на открытом воздухе, снижает риск поражения электрическим током.
- f. **При необходимости работы с электроинструментом во влажной среде, используйте устройство защитного отключения (УЗО).** Использование УЗО снижает риск поражения электрическим током.

### 3. Личная безопасность

- a. **Будьте внимательны, смотрите, что вы делаете, используйте здравый смысл при работе с электроинструментом. Не используйте электроинструмент, если вы устали или находитесь под влиянием наркотиков, алкоголя или лекарств. Малейшая неосторожность при работе с электроинструментом может привести к серьезным травмам.**
- b. **Используйте средства индивидуальной защиты. Всегда надевайте защитные очки. Другое защитное оборудование, включая респиратор, ботинки на нескользящей подошве, защитный шлем или средства защиты органов слуха, используемые в надлежащих условиях, уменьшат риск получения травмы.**
- c. **Для предотвращения случайного запуска, убедитесь, что переключатель находится в выключенном положении перед подключением к источнику питания и/или аккумуляторной батарее, поднятия или переноски инструмента.** Не переносите электроинструмент с пальцем на выключателе и не включайте питание на инструмент с включенным выключателем, что может привести к несчастному случаю.
- d. **Перед включением электроинструмента снимайте регулировочный или гаечный ключ.** Гаечный или регулировочный ключ, оставленный на вращающейся части электроинструмента, может привести к травме.
- e. **Не тянитесь. Сохраняйте правильную стойку и баланс все время.** Это позволяет лучше контролировать инструмент в неожиданных ситуациях.
- f. **Одевайтесь правильно. Не надевайте свободную одежду или украшения. Держите волосы, одежду и перчатки вдали от движущихся частей. Свободная одежда, украшения или длинные волосы могут попасть в движущиеся части.**
- g. **Если имеются устройства для подключения пылесборника или вытяжки, убедитесь в том, что они подсоединены и используются правильно.** Использование пылесборника снижает вероятность возникновения рисков, связанных с пылью.
- h. **Даже если Вы являетесь опытным пользователем и часто используете подобные инструменты, не позволяйте себе расслабляться и игнорировать правила безопасности при использовании инструментов.** Неосторожность и невнимательность при работе могут привести к тяжёлым травмам за доли секунды.

### 4. Использование и уход за электроинструментом

- a. **Не перегружайте электроинструмент. Используйте подходящий электрический инструмент для соответствующего применения.** Правильно подобранный электроинструмент позволит выполнить работу лучше и безопаснее при скорости, для которой он был разработан.
- b. **Не используйте электроинструмент, если переключатель не может его включить и выключить.** Любой электроинструмент, который нельзя контролировать с помощью переключателя, опасен и должен быть отремонтирован.
- c. **Отключите кабель питания от источника питания и/или аккумуляторный блок от электрического инструмента перед выполнением любых регулировок, замены принадлежностей или при хранении электроинструмента.** Такие профилактические меры безопасности уменьшают риск непреднамеренного запуска электрического инструмента.
- d. **Храните неиспользуемые электроинструменты в недоступном для детей месте и не позволяйте лицам, не знакомым с электроинструментом или данными инструкциями, работать с электроинструментом.** Электроинструменты опасны в руках неопытных пользователей.
- e. **Поддержание электроинструмента. Проверяйте разрегулированность или соединение подвижных частей, поломки частей и любые другие условия, которые могут повлиять на работу электроинструмента. При наличии повреждения, отремонтируйте электроинструмент перед использованием.** Многие несчастные случаи являются следствием плохого ухода за электроинструментом.
- f. **Держите режущий инструмент острым и чистым.** Хорошо ухоженный режущий инструмент с острыми режущими кромками легче контролировать.
- g. **Используйте электроинструмент, принадлежности, насадки и т.д. в соответствии с этими инструкциями, принимая во внимание рабочие условия и характер выполняемой работы.** Использование электроинструмента иным способом может привести к опасным ситуациям.

**h. Следите, чтобы рукоятки и поверхности захвата оставались сухими, чистыми и не содержали следов масла и консистентной смазки.** Скользкие рукоятки и поверхности захвата не обеспечивают безопасное обращение и управление инструментом в неожиданных ситуациях.

## 5. Обслуживание

**a. Обеспечьте, чтобы обслуживание и ремонт вашего электроинструмента проводился в авторизованном сервисном центре по ремонту с использованием только оригинальных запасных частей.** Это станет гарантией безопасности электроинструмента.

## ДОПОЛНИТЕЛЬНЫЕ СПЕЦИАЛЬНЫЕ ПРАВИЛА БЕЗОПАСНОСТИ

### Правила безопасности при работе лобзиком

**a. Держите электроинструмент за изолированные ручки при выполнении операций, во время которых режущая насадка может задеть скрытую проводку или собственный кабель.** Контакт насадки с находящимся под напряжением проводом делает не покрытые изоляцией металлические части электроинструмента также «живыми», что создаёт опасность поражения оператора электрическим током.

**b. Используйте струбцины или другие приспособления для фиксации обрабатываемой детали, устанавливая их только на неподвижной поверхности.** Если держать обрабатываемую деталь руками или с упором в собственное тело, то можно потерять контроль над инструментом или обрабатываемой деталью.

**c. Держите руки вне зоны резания.** Ни в коем случае не держите руки под заготовкой. Держите лобзик за переднюю часть. Не держите пальцы вблизи пильного полотна и его зажима. Не пытайтесь стабилизировать положение лобзика, удерживая его за поворотную подошву.

**d. Следите за острой заточкой пильных полотен.** Затупленные пильные полотна могут заставить лобзик отклониться от линии реза или остановиться под воздействием чрезмерного усилия.

**e. Прежде чем приступить к резке трубы или канала, убедитесь, что в них нет воды, электропроводки и т.д.**

**f. Перед извлечением пильного полотна из пропилы дождитесь полной остановки электродвигателя.** Движущееся пильное полотно может ударить заготовку, что может

привести к поломке пильного полотна, повреждению заготовки или потере контроля над инструментом и возможности получения травмы.

**g. Никогда не дотрагивайтесь до обрабатываемой заготовки или пильного полотна сразу по окончании работы инструмента.** Они могут оказаться очень горячими.

**h. Следите, чтобы рукоятки оставались сухими, чистыми и не содержали следов масла и консистентной смазки.** Это позволит Вам не потерять контроль при работе инструментом.

**i. Часто очищайте инструмент, особенно после интенсивного использования.** На внутренних поверхностях часто собирается содержащая металлические частицы пыль, повышая риск поражения электрическим током.

**j. Не допускаются непрерывная работа данным электроинструментом в течение длительного периода времени.** Вибрация, возникающая во время использования инструмента, может привести к неизлечимым травмам пальцев и рук. Используйте перчатки для лучшей антивибрационной защиты, устраивайте частые перерывы в работе и ограничьте время работы инструмента.

**k. Избегайте продолжительного контакта с пылью, вырабатываемой при пилении.** Надевайте защитную одежду и промывайте незащищённые участки кожи водой и мылом. Попадание пыли в рот, глаза или на кожу может способствовать усвоению вредных химических веществ.

**l. Избегайте распиливания гвоздей. Перед работой осматривайте заготовку на наличие гвоздей и если таковые имеются, удалите их.**

**m. Не пилите заготовки слишком больших размеров.**

**n. Перед включением двигателя убедитесь, что пильное полотно не касается заготовки.**

**o. Никогда не оставляйте инструмент работающим без присмотра. Работайте инструментом, только удерживая его в руках.**

**p. Некоторые материалы содержат химические вещества, которые могут оказывать токсичными.** Избегайте вдыхания пыли и контакта её с кожей. Следуйте инструкциям по безопасному использованию от производителя материала.

**q. Всегда выключайте электроинструмент и ждите, пока пильное полотно полностью не остановится, прежде чем извлекать пильное полотно из заготовки.**

## Дополнительные инструкции по безопасности



**ВНИМАНИЕ:** Рекомендуется использование устройства защитного отключения с остаточным током 30 мА или менее.

## ОСТАТОЧНЫЕ РИСКИ

Несмотря на соблюдение соответствующих инструкций по технике безопасности и использование предохранительных устройств, некоторые остаточные риски невозможно полностью исключить. К ним относятся:

- Ухудшение слуха
- Риск получения травмы от разлетающихся частиц.
- Риск получения ожогов от принадлежностей и насадок, которые в процессе работы сильно нагреваются.
- Риск получения травмы, связанный с продолжительным использованием инструмента.
- Риск вдыхания пыли от опасных для здоровья веществ.

## МАРКИРОВКА ИНСТРУМЕНТА

В дополнение к пиктограммам, содержащимся в данном руководстве по эксплуатации, на инструменте имеются символы, которые отображают следующее:



Перед использованием внимательно прочтите данное руководство по эксплуатации.



Работайте в защитных очках.



Используйте средства защиты органов слуха.

## Место положения кода даты (Рис. В)

Код даты (13), который также включает в себя год изготовления, отштампован на поверхности корпуса инструмента.

Пример:

2017 XX XX  
Год изготовления

## В УПАКОВКУ ВХОДЯТ

- 1 Лобзик
- 1 Пильное полотно
- 1 Руководство по эксплуатации
- 1 Гаечный ключ
- 1 Гарантийный талон
- 1 Список сервисных центров

- Проверьте инструмент, детали и дополнительные приспособления на наличие повреждений, которые могли произойти во время транспортировки.

- Перед началом работы необходимо внимательно прочитать настоящее руководство и принять к сведению содержащуюся в нем информацию.

## Описание (Рис. А - J)



**ВНИМАНИЕ:** Ни в коем случае не модифицируйте электроинструмент или какую-либо его деталь. Это может привести к получению травмы или повреждению инструмента.

1. Курковый пусковой выключатель
2. Кнопка блокировки пускового выключателя
3. Регулятор скорости
4. Пылезащитная крышка
5. Рычаг зажима пильного полотна
6. Зажим пильного полотна
7. Пильное полотно
8. Переключатель маятникового хода
9. Подошва
10. Отверстие пылеотвода
11. Ключ
12. Винтовой зажим для заготовки
13. Код даты
14. Сопло пылесоса (дополнительная принадлежность)
15. Подошва на винтах
16. Линия реза
17. Продольная направляющая (дополнительная принадлежность)
18. Винт (дополнительная принадлежность)
19. Прижимная планка (дополнительная принадлежность)

## ЭЛЕКТРОБЕЗОПАСНОСТЬ

Электрический двигатель рассчитан на работу только при одном напряжении электросети. Следите за напряжением электрической сети, оно должно соответствовать величине, обозначенной на информационной табличке инструмента.



Ваш инструмент Stanley защищён двойной изоляцией, что исключает потребность в заземляющем проводе.

Повреждённый кабель должен заменяться специально подготовленным кабелем в авторизованном сервисном центре STANLEY.

**ИСПОЛЬЗОВАНИЕ УДЛИНИТЕЛЬНОГО КАБЕЛЯ**

При необходимости использования удлинительного кабеля, используйте только утверждённые 3-х жильные кабели промышленного изготовления, рассчитанные на мощность не меньшую, чем потребляемая мощность данного инструмента (см. раздел «Технические характеристики»). Минимальный размер проводника должен составлять 1,5 мм<sup>2</sup>; максимальная длина кабеля не должна превышать 30 м.

При использовании кабельного барабана, всегда полностью разматывайте кабель.



**ВНИМАНИЕ:** Всегда очищайте опилки и прочий мусор, налипший на пыльное полотно или держатель пыльного полотна. В противном случае, пыльное полотно не будет затянато полностью, что приведёт к получению тяжёлой травмы.

2. Не дотрагивайтесь до пыльного полотна или до заготовки сразу по окончании операции – они могут оказаться чрезвычайно горячими и существует риск получения ожога.

3. Всегда надёжно закрепляйте пыльное полотно. Недостаточная затяжка пыльного полотна может стать причиной поломки полотна или получения тяжёлой травмы.

4. Используйте только пыльные полотна Т-типа. Использование пыльных полотен другого типа может стать причиной недостаточной затяжки пыльного полотна в зажиме, что может привести к получению тяжёлой травмы.

5. Для достижения наилучших результатов используйте пыльные полотна, соответствующие типу заготовки.

**Подключение пылесоса к инструменту (Рис. С)**

- Вдвиньте сопло пылесоса (14) в отверстие пылеотвода (10).

**Остаточные риски**

При работе данным инструментом возможно возникновение дополнительных остаточных рисков, которые не вошли в описанные здесь правила техники безопасности. Эти риски могут возникнуть при неправильном или продолжительном использовании изделия и т.п.

Несмотря на соблюдение соответствующих инструкций по технике безопасности и использование предохранительных устройств, некоторые остаточные риски невозможно полностью исключить. К ним относятся:

- Травмы в результате касания вращающихся/двигающихся частей инструмента.
- Риск получения травмы во время смены деталей или насадок.
- Риск получения травмы, связанный с продолжительным использованием инструмента. При использовании прибора в течение продолжительного периода времени делайте регулярные перерывы в работе.
- Ухудшение слуха.

**СБОРКА И РЕГУЛИРОВКА**

**ВНИМАНИЕ:** Для снижения риска получения тяжёлой травмы, перед регулировкой или снятием/установкой дополнительных принадлежностей или насадок выключайте инструмент и отсоединяйте его от электросети. Перед повторным подключением инструмента нажмите и отпустите курковый выключатель, чтобы убедиться, что инструмент действительно выключен. Непреднамеренный запуск инструмента может привести к получению травмы.

**Установка пыльного полотна:****(SJ60) (Рис. А-1)**

- Поднимите пылезащитную крышку (4).
- Держите пыльное полотно (7), как показано на рисунке, направив кромку с зубьями вперёд.
- Отожмите рычаг зажима пыльного полотна (5) в сторону от подошвы (9).
- Вставьте хвостовик пыльного полотна в зажим (6) до упора.
- Отпустите рычаг зажима пыльного полотна (5).
- Опустите пылезащитную крышку (4).

**(SJ45) (Рис. А-2)**

- Ослабьте (не вынимая) два винта зажима пыльного полотна (12).
- Держите пыльное полотно (7), направив кромку с зубьями вперёд.
- Вставьте хвостовик пыльного полотна (7) в зажим (6) до упора.
- Слегка затяните два винта зажима (12), отрегулируйте положение пыльного полотна, затем полностью затяните оба винта зажима (12).

- Ущерб здоровью в результате вдыхания пыли в процессе работы с инструментом (например, при обработке древесины, в особенности, дуба, бука и ДВП).

## ЭКСПЛУАТАЦИЯ

### Регулировка подошвы для распилов с наклоном (Рис. D)

**Внимание!** Никогда не используйте инструмент, если подошва плохо закреплена или отсутствует. Перед использованием инструмента всегда надёжно фиксируйте подошву. Недостаточная затяжка подошвы может привести к получению тяжёлой травмы.

Подошва (9) может быть отрегулирована на левый или правый угол среза с наклоном 45°.

- Поднимите пылезащитную крышку (4).
- Ослабьте два винта подошвы (15).
- Сдвиньте подошву (9) вперёд, поверните её влево или вправо и сдвиньте назад в положение 45°.
- Затяните два винта подошвы (15).

### Для возврата подошвы в положение для резов под углом 90°:

- Ослабьте два винта подошвы (15).
- Сдвиньте подошву (9) вперёд, поверните её в среднее положение и сдвиньте назад в положение 0°.
- Затяните два винта подошвы (15).
- Опустите пылезащитную крышку (4).
- **ВНИМАНИЕ:** Опустите пылезащитную крышку, чтобы предотвратить разлетание опилок. Однако при выполнении резов с наклоном, всегда поднимайте пылезащитную крышку.

### Регулировка скорости:

- (SJ60) (Рис. А-1): Регулятор скорости (3) расположен в верхней части лобзика. Скорость увеличивается при поворачивании колеса с установки низкой скорости 1 до установки высокой скорости 6.
- (SJ45) (Рис. Е): Регулятор скорости (3) расположен в верхней части куркового выключателя. Чтобы увеличить скорость, поворачивайте регулятор в направлении «+», чтобы снизить скорость, поворачивайте регулятор в направлении «-».
- Чтобы выбрать скорость, наиболее подходящую для распила заготовки, см. таблицу ниже. Однако выбор скорости может также зависеть от типа или толщины заготовки. В большинстве

случаев, более высокие скорости позволяют более быстро распилить заготовку, однако, срок службы пильных полотен заметно сократится.

Вид распиливаемого материала	Цифра на регуляторе скорости - SJ60	Скорость - SJ45
Древесина	5-6	Высокая скорость
Нержавеющая сталь	3-4	Средняя скорость
Мягкая сталь	3-6	
Алюминий	3-6	
Пластики	1-4	

**ВНИМАНИЕ:** При долгой непрерывной работе на низких скоростях двигатель перегреется и перегрузится.

### Включение и выключение (Рис. А-1, А-2)

- Чтобы включить инструмент, нажмите на курковый пусковой выключатель (1).
- Для непрерывного режима работы нажмите на курковый пусковой выключатель (1), затем на кнопку блокировки пускового выключателя (2).
- Чтобы выключить инструмент, отпустите курковый пусковой выключатель. Для выключения непрерывного режима работы инструмента снова нажмите на курковый пусковой выключатель и отпустите.

### Использование функции Sightline (Рис. F)

- При помощи карандаша начертите линию распила.
- Расположите лобзиковую пилу по линии (16).
- Следуйте линии распила, глядя на неё поверх лобзика.

### Режим резания (только SJ60)

- Маятниковый ход отличается более резким движением пильного полотна и предназначено для обработки мягких материалов, таких как древесина или пластик. Маятниковый ход обеспечивает быстрый рез, но с менее гладкой поверхностью. На Вашем лобзике имеется дисковый переключатель маятникового хода. Использование данного переключателя разъясняется в следующем разделе.
- **Внимание:** Никогда не используйте маятниковый ход при резании металла.

### Дисковой переключатель маятникового хода (Рис. G - SJ60)

- SJ60 имеет четыре режима резания с увеличением уровня маятникового хода:



- Положение 0: металл, алюминий и листовой металл (без маятникового хода).
- Положение I: ламинат, твёрдая древесина, столешницы.
- Положение II: фанера, ПВХ/пластики.
- Положение III: мягкая древесина и быстрое пиление

### Для регулировки маятникового хода (Рис. G):

- Поверните дисковой переключатель маятникового хода (8) и установите его в нужное положение.

### Пиление

Во время распила крепко удерживайте инструмент обеими руками (Рис. H).

Подошва (9) должна быть плотно прижата к обрабатываемому материалу. Это поможет избежать подпрыгивания лобзика, снизит вибрацию и вероятность поломки пильного полотна.

- Перед выполнением реза дайте пильному полотну поработать без нагрузки в течение нескольких секунд.
- При распиле прикладывайте к инструменту только лёгкое усилие.

### Рекомендации по оптимальному использованию

#### Пиление ламината

При распиле ламината может произойти его расщепление, что испортит внешний вид лицевой поверхности. Большинство стандартных пильных полотен выполняют рез при ходе вверх, поэтому, если подошва располагается на лицевой поверхности, используйте пильное полотно, которое режет при ходе вниз, или:

- Используйте пильное полотно с мелкими зубьями.
- Пилите по обратной стороне заготовки.
- Чтобы избежать расщепления ламината, поместите заготовку между двумя панелями из древесины или ДСП и пилите получившуюся сэндвич-панель.

#### Пиление металла

**Внимание!** При пилении металла не используйте пылесос в качестве пылеудаляющего устройства. Металлическая стружка может быть очень горячей и спровоцировать возгорание.

Помните, что распил металла занимает гораздо

больше времени, чем распил древесины.

- Используйте пильное полотно, предназначенное для распила металла.
- Для пиления тонколистового металла, прикрепите деревянную панель к обратной стороне заготовки и выполняйте распил получившейся сэндвич-панели.
- Нанесите немного смазочного вещества вдоль предполагаемой линии распила.

### Продольная направляющая (дополнительная принадлежность)

- При выполнении продольной или круговой распиловки без намеченной карандашной линии используйте продольную направляющую и круговую направляющую.

### Установка продольной направляющей (Рис. I)

- Вставьте направляющую (17) в прорези в подошве поперечиной вниз, как изображено на Рисунке I.
- Вставьте винт (18) в отверстие в нижней части подошвы.
- Расположите прижимную планку (19) поверх винта загнутым концом, направленным вниз и в сторону задней части лобзика.
- Используя крестообразную отвёртку, заверните винт в резьбовое отверстие в прижимной планке, как изображено на Рисунке G.
- Отрегулируйте ширину реза и затяните винт.

### Круговой распил (Рис. J)

- Вставьте продольную направляющую в прорез с правой стороны подошвы лобзика поперечиной вверх.
- Отрегулируйте положение продольной направляющей, чтобы между пильным полотном и отверстием в поперечине был достигнут нужный радиус, затем затяните винт.
- Расположите лобзик таким образом, чтобы отверстие в поперечине оказалось ровно по центру выпиливаемого круга (чтобы пильное полотно удобнее заняло свою позицию, выполните врезное пиление, просверлите отверстие или сделайте рез от края по направлению к центру).
- Правильно расположив лобзик, через отверстие в поперечине вбейте маленький гвоздь в самом центре выпиливаемого круга.
- Используя продольную направляющую в качестве поворотной рукоятки, начните выпиливать круг.

## ТЕХНИЧЕСКОЕ ОБСЛУЖИВАНИЕ

Ваш электроинструмент STANLEY рассчитан на работу в течение продолжительного времени при минимальном техническом обслуживании. Срок службы и надёжность инструмента увеличивается при правильном уходе и регулярной чистке.

- Регулярно очищайте вентиляционные отверстия Вашего инструмента мягкой щёткой или сухой тканью.
- Регулярно очищайте корпус двигателя влажной тканью. Не используйте абразивные чистящие средства, а также чистящие средства на основе растворителей. Данный инструмент не обслуживается пользователем. В случае возникновения проблем до истечения указанного срока, обращайтесь в авторизованный сервисный центр.



### Смазка

Ваш электроинструмент не требует дополнительной смазки.



### Чистка



**ВНИМАНИЕ:** Выдувайте грязь и пыль из корпуса сухим сжатым воздухом по мере видимого скопления грязи внутри и вокруг вентиляционных отверстий. Выполняйте данную процедуру, надев средство защиты глаз и респиратор утверждённого типа.



**ВНИМАНИЕ:** Никогда не используйте растворители или другие агрессивные химические средства для очистки неметаллических деталей инструмента. Эти химикаты могут ухудшить свойства материалов, применённых в данных деталях. Используйте ткань, смоченную в воде с мягким мылом. Не допускайте попадания какой-либо жидкости внутрь инструмента; ни в коем случае не погружайте какую-либо часть инструмента в жидкость.

В целях обеспечения БЕЗОПАСНОСТИ и ДОЛГОВЕЧНОСТИ в использовании продукта ремонт, осмотр угольных щёток, замена деталей и прочее техническое обслуживание и регулировка должны производиться только в авторизованных сервисных центрах STANLEY и только с использованием идентичных запасных частей Stanley.

## Дополнительные принадлежности



**ВНИМАНИЕ:** Поскольку принадлежности, отличные от тех, которые предлагает STANLEY, не проходили тесты на данном изделии, то использование этих принадлежностей может привести к опасной ситуации. Во избежание риска получения травмы, с данным продуктом должны использоваться только дополнительные принадлежности, рекомендованные STANLEY.

По вопросу приобретения дополнительных принадлежностей обращайтесь к Вашему продавцу.

## Защита окружающей среды



Раздельный сбор. Данное изделие нельзя утилизировать вместе с обычными бытовыми отходами.

Если однажды Вы захотите заменить Ваш электроинструмент STANLEY, или Вы больше в нем не нуждаетесь, не выбрасывайте его вместе с бытовыми отходами. Отнесите изделие в специальный приемный пункт.



Фирма STANLEY обеспечивает прием и переработку отслуживших свой срок изделий STANLEY. Чтобы воспользоваться этой услугой, Вы можете сдать Ваше изделие в любой авторизованный сервисный центр, который собирает их по нашему поручению. Вы можете узнать место нахождения Вашего

ближайшего авторизованного сервисного центра, обратившись в Ваш местный офис STANLEY по адресу, указанному в данном руководстве по эксплуатации. Кроме того, список авторизованных сервисных центров STANLEY и полную информацию о нашем послепродажном обслуживании и контактах Вы можете найти в интернете по адресу: [www.2helpU.com](http://www.2helpU.com).

## Примечания

Политика STANLEY нацелена на постоянное усовершенствование нашей продукции, поэтому фирма оставляет за собой право изменять технические характеристики изделий без предварительного уведомления.

Стандартное оборудование и дополнительные принадлежности могут меняться в зависимости от страны продаж.

Технические характеристики продуктов могут различаться в зависимости от страны продаж.

Полная линия продуктов присутствует на рынках не всех стран. Для получения информации касательно линии продуктов в Вашей стране обратитесь в ближайший сервисный центр STANLEY.

## Информация по техническому обслуживанию

STANLEY имеет обширную сеть принадлежащих компании и/или авторизованных сервисных центров по всей стране. В целях предоставления клиентам эффективного и надёжного технического обслуживания электроинструментов во всех сервисных центрах STANLEY работает обученный персонал. Если Вы нуждаетесь в технической консультации, ремонте или покупке оригинальных запасных частей, обратитесь в ближайший к Вам сервисный центр STANLEY.

### ТЕХНИЧЕСКИЕ ХАРАКТЕРИСТИКИ

Лобзик		SJ45	SJ60
Напряжение	В перем. тока	220~240	220~240
Частота	Гц	50/60	50/60
Потребляемая мощность	Вт	450	600
Число ходов под нагрузкой	ход/мин.	500-3000	500-3000
Рез с наклоном	градус	+/-45	+/-45
Макс. глубина реза в древесине/стали/алюминии	мм	65/6/10	75/6/10
Величина хода	мм	19	19
Маятниковый ход		Нет	Есть
Вес	кг	1,8	1,9

# STANLEY

## Гарантийные условия

### Уважаемый покупатель!

1. Поздравляем Вас с покупкой высококачественного изделия STANLEY и выражаем признательность за Ваш выбор.

2. При покупке изделия требуйте проверки его комплектности и исправности в Вашем присутствии, инструкцию по эксплуатации и заполненный гарантийный талон на русском языке.

В гарантийном талоне должны быть внесены: модель, дата продажи, серийный номер, дата производства инструмента; название, печать и подпись торговой организации. При отсутствии у Вас правильно заполненного гарантийного талона, а также несоответствия указанных в нем данных мы будем вынуждены отклонить Ваши претензии по качеству данного изделия.

3. Во избежание недоразумений убедительно просим Вас перед началом работы с изделием внимательно ознакомиться с инструкцией по его эксплуатации. Правовой основой настоящих гарантийных условий является действующее Законодательство. Гарантийный срок на данное изделие составляет 24 месяца и исчисляется со дня продажи. В случае устранения недостатков изделия, гарантийный срок продлевается на период его нахождения в ремонте. Срок службы изделия составляет 5 лет со дня продажи.

4. В случае возникновения каких-либо проблем в процессе эксплуатации изделия рекомендуем Вам обращаться только в уполномоченные сервисные центры STANLEY, адреса и телефоны которых Вы сможете найти в гарантийном талоне, на сайте [www.2helpU.com](http://www.2helpU.com) или узнать в магазине. Наши сервисные станции - это не только квалифицированный ремонт, но и широкий ассортимент запчастей и принадлежностей.

5. Производитель рекомендует проводить периодическую проверку и техническое обслуживание изделия в уполномоченных сервисных центрах.

6. Наши гарантийные обязательства распространяются только на неисправности, выявленные в течение гарантийного срока и вызванные дефектами производства и \ или материалов.

### 7. Гарантийные условия не распространяются на неисправности изделия, возникшие в результате:

7.1. Несоблюдения пользователем предписаний инструкции по эксплуатации изделия, применения изделия не по назначению, неправильном хранении, использования принадлежностей, расходных материалов и запчастей, не предусмотренных производителем.

7.2. Механического повреждения (сколы, трещины и разрушения) внутренних и внешних деталей изделия, основных и вспомогательных рукояток, сетевого электрического кабеля, вызванного внешним ударным или любым иным воздействием

7.3. Попадания в вентиляционные отверстия и проникновение внутрь изделия посторонних предметов, материалов или веществ, не являющихся отходами, сопровождающими применение изделия по назначению, такими как: стружка, опилки, песок, и пр.

7.4. Воздействий на изделие неблагоприятных атмосферных и иных внешних факторов, таких как дождь, снег, повышенная влажность, нагрев, агрессивные среды, несоответствие параметров питающей электросети, указанных на инструменте.

7.5. Стихийного бедствия. Повреждение или утрата изделия, связанное с непредвиденными бедствиями, стихийными явлениями, в том числе вследствие действия непреодолимой силы (пожар, молния, потоп и другие природные явления), а так же вследствие перепадов напряжения в электросети и другими причинами, которые находятся вне контроля производителя.

### 8. Гарантийные условия не распространяются:

8.1. На инструменты, подвергавшиеся вскрытию, ремонту или модификации вне уполномоченного сервисного центра.

8.2. На детали и узлы, имеющие следы естественного износа, такие как:

приводные ремни и колеса, угольные щетки, смазка, подшипники, зубчатое зацепление редукторов, резиновые уплотнения, сальники, направляющие ролики, муфты, выключатели, бойки, толкатели, стволы, и т.п.

8.3. На сменные части: патроны, цанги, зажимные гайки и фланцы, фильтры, аккумуляторные батареи, ножи, шлифовальные подошвы, цепи, звездочки, пильные шины, защитные кожухи, пилки, абразивы, пильные и абразивные диски, фрезы, сверла, буры и т.п.

8.4. На неисправности, возникшие в результате перегрузки инструмента (как механической, так и электрической), повлекшей выход из строя одновременно двух и более деталей и узлов, таких как: ротора и статора, обеих обмоток статора, ведомой и ведущей шестерни редуктора или других узлов и деталей. К безусловным признакам перегрузки изделия относятся, помимо прочих: появление цветов побежалости, деформация или оплавление деталей и узлов изделия, потемнение или обугливание изоляции проводов электродвигателя под воздействием высокой температуры.



Изготовитель

Блэк энд Деккер Холдингс ГмБХ

Германия, 65510, Идштайн,

ул. Блэк энд Деккер, 40



**Приложение к руководству по эксплуатации электроинструмента**

Пилы лобзиковые ручные электрические

Модели: SJ45\*, SJ60\*, где \* - различные варианты исполнения изделия

СЕРТИФИКАТ СООТВЕТСТВИЯ № RU C-DE.AЯ46.B.83098  
 Действителен до: 30 ноября 2020 г.

Выдан: Орган по сертификации "РОСТЕСТ- Москва" , Адрес: 119049, г. Москва, улица Житная, д. 14, стр. 1; 117418, Москва, Нахимовский просп., 31 (фактический), Телефон: (499) 1292311, (495) 6682893, Факс: (495) 6682893, E-mail: office@rostest.ru

Изготовитель: Изготовитель: Блэк энд Деккер Холдингс ГмбХ, Германия, 65510, Идштайн, ул. Блэк энд Деккер, 40, тел. +496126212790.

Уполномоченное изготовителем юр.лицо:  
 ООО "Стэнли Блэк энд Деккер", 117485, город Москва, улица Обручева, дом 30/1, строение 2  
 Телефон: + 7 (495) 258-3981, факс: + 7 (495) 258-3984, E-mail: inbox@dewalt.com  
 Сведения о импортере указаны в сопроводительной документации и/или на упаковке

**Транспортировка.**

Категорически не допускается падение и любые механические воздействия на упаковку при транспортировке.

При разгрузке/погрузке не допускается использование любого вида техники, работающей по принципу зажима упаковки.

**Хранение.**

Необходимо хранить в сухом месте, вдали от источников повышенных температур и воздействия солнечных лучей. При хранении необходимо избегать резкого перепада температур. Хранение без упаковки не допускается

**Перечень критических отказов, возможные ошибочные действия персонала.**

- Не допускается эксплуатация изделия:  
 -При появлении дыма из корпуса изделия  
 -При поврежденном и/или оголенном сетевом кабеле  
 -при повреждении корпуса изделия, защитного кожуха, рукоятки  
 -при попадании жидкости в корпус  
 -при возникновении сильной вибрации  
 -при возникновении сильного искрения внутри корпуса

**Срок службы.**

Срок службы изделия составляет 5 лет. Не рекомендуется к эксплуатации по истечении 5 лет хранения с даты изготовления без предварительной проверки.

Дата изготовления (код даты) указана на корпусе инструмента.

Код даты, который также включает год изготовления, отштампован на поверхности корпуса изделия.

Пример:

2014 46 XX, где 2014 –год изготовления, 46-неделя изготовления.

Определить месяц изготовления по указанной неделе изготовления можно согласно приведенной ниже таблице.

**Критерии предельных состояний.**

- При поврежденном и/или оголенном сетевом кабеле  
 -при повреждении корпуса изделия

Месяц	Январь	Февраль	Март	Апрель	Май	Июнь	Июль	Август	Сентябрь	Октябрь	Ноябрь	Декабрь	Год производства
Неделя	01	05	09	14	18	22	27	31	36	40	44	49	2014
	02	06	10	15	19	23	28	32	37	41	45	50	
	03	07	11	16	20	24	29	33	38	42	46	51	
	04	08	12	17	21	25	30	34	39	43	47	52	
	05	09	13	18	22	26	31	35	40	44	48		
Неделя			14			27							2015
	01	05	09	14	18	23	27	31	36	40	44	49	
	02	06	10	15	19	24	28	32	37	41	45	50	
	03	07	11	16	20	25	29	33	38	42	46	51	
	04	08	12	17	21	26	30	34	39	43	47	52	
Неделя		09	13	18	22	27	31	35	40	44	48	53	2016
			14					36			49		
	01	05	09	13	17	22	26	31	35	39	44	48	
	02	06	10	14	18	23	27	32	36	40	45	49	
	03	07	11	15	19	24	28	33	37	41	46	50	
Неделя	04	08	12	16	20	25	29	34	38	42	47	51	2017
		09	13	17	21	26	30	35	39	43	48	52	
			14					44					
	01	05	09	13	18	22	26	31	35	39	44	48	
	02	06	10	14	19	23	27	32	36	40	45	49	
Неделя	03	07	11	15	20	24	28	33	37	41	46	50	2017
	04	08	12	16	21	25	29	34	38	42	47	51	
	05	09	13	17	22	26	30	35	39	43	48	52	
						31			44				

## Призначення

Електричний лобзик SJ45/SJ60 виробництва STANLEY створений для різання дерева, пластику та металу. Цей інструмент призначений для професійного використання.

## ІНСТРУКЦІЇ З ТЕХНІКИ БЕЗПЕКИ

Наведені нижче визначення описують рівень небезпеки, якому відповідає кожне сигнальне слово. Необхідно ретельно ознайомитись із вмістом цього посібника та звернути увагу на наступні знаки.



**НЕБЕЗПЕЧНО!** Вказує на неминуче небезпечну ситуацію, яка, якщо її не усунути, **обов'язково призведе до серйозних травм або смерті.**



**ОБЕРЕЖНО!** Вказує на потенційно небезпечну ситуацію, яка, якщо її не усунути, **може призвести до серйозних травм або смерті.**



**УВАГА!** Вказує на потенційно небезпечну ситуацію, яка, якщо її не усунути, **може призвести до травм легкого та середнього ступеню тяжкості.**

**ПРИМІТКА.** Вказує на дію, що не пов'язана з безпекою персоналу, але яка, якщо її не усунути, **може привести до пошкодження майна.**



Вказує на небезпеку ураження електричним струмом.



Вказує на небезпеку виникнення пожежі.



**Обережно!** Для зниження ризику травмування необхідно ретельно ознайомитись із вмістом цього посібника.

## Загальні правила техніки безпеки під час роботи з електричним інструментом



**ОБЕРЕЖНО!** Необхідно ретельно ознайомитись із усіма попереджувальними знаками, вказівками щодо безпечної роботи, графічними матеріалами та технічними описами, що додаються до цього електричного інструмента. Недотримання вказівок щодо безпечної роботи може призвести до ураження електричним струмом, пожежі та/або серйозних травм персоналу.

Потрібно зберігати всі попереджувальні написи та вказівки щодо безпечної роботи для використання в майбутньому. Термін

«електричний інструмент», що використовується в попереджувальних написах та вказівках щодо техніки безпеки, відноситься до електричного інструмента, що працює від мережі (зі шнуром електричного живлення) або від акумуляторної батареї (без шнура живлення).

### 1. Безпека робочого місця

- a. **Утримуйте робоче місце в чистоті і добре освітленим.** Безлад на робочому місці або відсутність освітлення робочого місця може призвести до аварії.
- b. **Не працюйте з електроінструментом в місці зберігання вибухонебезпечних матеріалів, наприклад, у присутності легкозаймистих рідин, газів або пилу.** Електричні інструменти створюють іскри, що можуть запалити пил або пари.
- c. **Діти і сторонні особи повинні знаходитися якнайдалі під час роботи з електроприладами.** Ви можете відволіктися і втратити контроль.

### 2. Електробезпека

- a. **Вилка електроінструмента повинна відповідати розетці. Ніколи не змінюйте вилку будь-яким чином. Не використовуйте ніякі вилки-перехідники з заземленими (замкнутими на землю) електроінструментами.** Вилки і розетки, які не піддавалися ніяким змінам знижують ризик ураження електричним струмом.
- b. **Уникайте контакту тіла з заземленими поверхнями, такими як труби, радіатори, плити та холодильники.** Існує підвищений ризик ураження електричним струмом, якщо ваше тіло заземлене.
- c. **Уникайте будь-якого впливу дощу або вологи на електроінструменти.** Вода, що потрапила в електроінструмент, збільшує ризик ураження електричним струмом.
- d. **Обережно поведіться зі шнуром живлення. Ніколи не використовуйте шнур живлення для перенесення, переміщення або вилучення вилки з розетки. Тримайте шнур подалі від джерел тепла, масла, гострих країв або рухомих частин.** Пошкоджені або заплутані шнури збільшують ризик ураження електричним струмом.
- e. **При роботі з електроінструментом на вулиці, використовуйте подовжувач, відповідний для зовнішнього використання.** Використання кабелю, придатного для використання на відкритому повітрі, знижує ризик ураження електричним струмом.

- f. При необхідності роботи з електроінструментом у вологому середовищі, використовуйте пристрій захисного відключення (ПЗВ).** Використання ПЗВ знижує ризик ураження електричним струмом.
- 3. Особиста безпека**
- a. Будьте уважні, дивіться, що ви робите, використовуйте здоровий глузд при роботі з електроприладами. Не використовуйте електроінструмент, якщо ви втомилися або перебуваєте під впливом наркотиків, алкоголю або ліків.** Найменша необережність при роботі з електроінструментом може призвести до серйозних травм.
- b. Використовуйте засоби індивідуального захисту. Завжди надягайте захисні окуляри.** Інше захисне обладнання, включаючи респіратор, черевики на нековзній підшві, захисний шолом або засоби захисту органів слуху, використовувати в належних умовах, зменшать ризик отримання травми.
- c. Для запобігання випадкового запуску, переконайтеся, що перемикач знаходиться у вимкненому положенні перед підключенням до джерела живлення та/або акумуляторної батареї, підняття або перенесення інструменту.** Не переносьте електроінструмент з пальцем на вимикачі і не включайте електроживлення на інструмент з увімкненим вимикачем, що може призвести до нещасного випадку.
- d. Перед включенням електроінструменту знімайте регулювальний або гайковий ключ.** Гайковий або регулювальний ключ, залишений на обертовій частині електроінструменту, може призвести до травми.
- e. Не тягніться. Зберігайте правильну стійку і баланс весь час.** Це дозволяє краще контролювати інструмент в несподіваних ситуаціях.
- f. Одягайтеся правильно. Не надягайте вільний одяг або прикраси. Тримайте волосся, одяг і рукавички далеко від рухомих частин.** Вільний одяг, прикраси або довге волосся можуть потрапити в рухомі частини.
- g. Якщо є пристрої для підключення пілозбірника або витяжки, переконайтеся в тому, що вони під'єднані і використовуються правильно.** Використання пілозбірника знижує ймовірність виникнення ризиків, пов'язаних з пилом.
- h. Досвід роботи з електричним інструментом та часте його використання не повинні ставати причиною легковажного ставлення до правил безпечної експлуатації чи їх ігнорування.** Легковажне ставлення навіть на частку секунди може призвести до серйозної травми.
- 4. Використання та догляд за електроінструментом**
- a. Не перевантажуйте електроінструмент. Використовуйте відповідний електричний інструмент для відповідного застосування.** Правильно підібраний електроінструмент дозволить виконати роботу краще і безпечніше при швидкості, для якої він був розроблений.
- b. Не використовуйте електроінструмент, якщо перемикач не може його включити і вимкнути.** Будь-який електроінструмент, який не можна контролювати за допомогою перемикача, є небезпечний і повинен бути відремонтований.
- c. Від'єднайте кабель живлення від джерела живлення та/або акумулятора від електричного інструменту перед виконанням будь-яких регулювань, заміни приладдя або при зберіганні електроінструменту.** Такі профілактичні заходи безпеки зменшують ризик ненавмисного запуску електричного інструменту.
- d. Зберігайте електроприлади в недоступному для дітей місці і не дозволяйте особам, які не знайомі з електричним інструментом або даними інструкціями, працювати з електроприладами.** Електроінструменти небезпечні в руках недосвідчених користувачів.
- e. Підтримання електроінструменту. Перевіряйте роз'єднання рухомих частин, пошкодження або з'єднання рухомих частин, розломки частин і будь-які інші умови, які можуть вплинути на роботу електроінструменту. При наявності пошкодження, відремонтуйте електроінструмент перед використанням.** Багато нещасних випадків є наслідком поганого догляду за електроінструментом.
- f. Тримайте ріжучий інструмент гострим і чистим.** Добре доглянутий ріжучий інструмент з гострими ріжучими крайками легше контролювати.
- g. Використовуйте електроприлади, приладдя, насадки і т.д. у відповідності з цими інструкціями, беручи до уваги робочі умови та характер виконуваної роботи.** Використання електроінструменту іншим способом може призвести до небезпечних ситуацій.
- h. Необхідно забезпечувати відсутність бруду, вологи та залишків оливи та мастила на рукоятках та поверхнях утримання інструменту.** Слизькі рукоятки та поверхні утримання є джерелами безпеки під час роботи з електричним інструментом та не дозволяють надійно керувати інструментом в нештатних ситуаціях.
- 5. Обслуговування**
- a. Обслуговувати електричний інструмент повинен тільки кваліфікований ремонтний персонал, і при цьому повинні використовуватися тільки оригінальні запасні деталі.** Це стане гарантією безпеки електроінструменту.

## ДОДАТКОВІ СПЕЦІАЛЬНІ ПРАВИЛА ТЕХНІКИ БЕЗПЕКИ

### Інструкція з безпечної експлуатації для Електричний лобзик

- a. Під час виконання робіт, коли ріжуча деталь електричного інструменту може стикатися з прихованою електричною проводкою, інструмент необхідно тримати за діелектричну поверхню. В разі контакту ріжучої деталі з проводом під напругою, металеві деталі електричного інструменту можуть потрапити під напругу, внаслідок чого виникає небезпека ураження оператора електричним струмом.
- b. Для закріплення деталі, що підлягає обробці, на зафіксованій поверхні потрібно використовувати затискачі або інший зручний спосіб. Якщо тримати деталь руками або притискати її до тіла, вона буде перебувати в незакріпленому положенні, що може призвести до втрати контролю під час роботи інструмента.
- c. Руки не повинні знаходитися поблизу ділянки різання. Категорично забороняється торкатись нижньої поверхні матеріалу під час роботи. Триматися слід за спеціальну зону із нанесеним контуром у передній частині інструмента. Забороняється ставити пальці поблизу маятникового полотна і його затискача. Забороняється надавати стійкості пилці захопленням опорної поверхні.
- d. Полотно потрібно постійно тримати гострим. Тупе полотно може призвести до того, що пилка відхилиться в сторону або зупиниться під тиском.
- e. Під час різання труб і кабелепроводів перевіряйте, щоб у них не було води, електричних кабелів тощо.
- f. Перед вийманням полотна з прорізу (щілини, що утворилася під час різання) необхідно дочекатись повної зупинки мотору. Полотно, що продовжує рухатися, може вдаритися об поверхню деталі та спричинити пошкодження полотна або деталі, а також до втрати керованості інструменту та травми внаслідок цього.
- g. Забороняється торкатися робочої деталі і полотна відразу після виконання роботи інструментом. Вони можуть бути дуже гарячими.
- h. Необхідно забезпечувати відсутність бруду, вологи та залишків оливи та мастила на рукоятках. Це забезпечує надійний контроль інструменту.
- i. Необхідно регулярно чистити інструмент, особливо після роботи під великим навантаженням. Пил і абразив, що містять металеві частинки, часто накопичуються на внутрішніх поверхнях деталей і можуть спричинити ураження електричним струмом.

- j. Забороняється надмірно тривала експлуатація інструменту. Вібрація, спричинена роботою інструменту, може призвести до травми пальців, долонь та рук. Для забезпечення додаткового захисту рекомендується застосовувати захисні рукавички та обмежувати час використання інструменту.
- k. Рекомендується уникати тривалого контакту з пилом, який створюється під час різання. Необхідно надягати захисний одяг та мити забруднені ділянки шкіри водою з милом. Потраплення пилу до рота, очей, осідання на шкіру може призвести до накопичення шкідливих хімічних речовин.
- l. Забороняється різати цвяхи. До початку різання необхідно перевірити відсутність цвяхів в деталі та за потреби витягнути їх.
- m. Забороняється різати деталь, товщина якої перевищує довжину полотна.
- n. Перед вмиканням інструменту слід перевірити, чи не торкається полотно до деталі.
- o. Забороняється залишати інструмент увімкненим. Вмикати інструмент дозволяється тільки за умови утримання його руками.
- p. Деякі матеріали містять отруйні речовини. Необхідно дотримуватися заходів уникнення вдихання пилу та контакту з ним. Необхідно дотримуватись інструкцій з безпечної роботи, наданих постачальником таких матеріалів.
- q. Перед вийманням полотна з прорізу в деталі необхідно вимкнути інструмент та дочекатися повної зупинки полотна.

### Додаткові інструкції з техніки безпеки



**ОБЕРЕЖНО!** Рекомендується використовувати пристрій захисного відключення з номінальним струмом вимкнення до 30 мА.

### ЗАЛИШКОВИЙ РИЗИК

Навіть за умови дотримання всіх відповідних правил техніки безпеки та використанні захисних пристроїв деякий залишковий ризик все ж залишається. Серед таких небезпек:

- погіршення слуху;
- небезпека травмування частинками, що розлітаються;
- небезпека опіків внаслідок нагрівання приладдя під час роботи;
- небезпека травмування внаслідок тривалої роботи;
- небезпека, що спричинена пилом шкідливих речовин.

### НАКЛЕЙКИ НА ІНСТРУМЕНТІ

Окрім значків, які використано в цьому посібнику, на інструмент нанесено такі умовні позначення:





Перед використанням необхідно прочитати посібник з експлуатації.



Необхідно вдягти захисні окуляри.



Необхідно застосовувати засоби захисту органів слуху.

### Розташування дати (рис. В)

Штрих-код з датою (13), який також включає рік виготовлення, надрукований на корпусі.

Приклад:

2017 XX XX

Дата виготовлення Комплект поставки

### ДО КОМПЛЕКТУ ПОСТАВКИ ВХОДЯТЬ

Електричний лобзик — 1 шт.

Полотно — 1 шт.

Посібник з експлуатації — 1 шт.

Гайковий ключ — 1 шт.

Гарантійний талон — 1 шт.

Перелік сервісних центрів — 1 шт.

- Необхідно перевірити, чи не має інструмент, його деталі та приладдя пошкоджень, які могли з'явитися під час транспортування.
- Перш ніж починати роботу з інструментом, слід уважно прочитати і вивчити вказівки, які містяться у цій інструкції.

### Опис (рис. А-І)



**ОБЕРЕЖНО!** Заборонено змінювати конструкцію інструмента або його частин. Це може призвести до травмування.

1. Пусковий перемикач
2. Кнопка фіксації
3. Регулятор швидкості
4. Захисний екран
5. Важіль затискача полотна
6. Затискач полотна
7. Полотно
8. Перемикач розмаху маятникового ходу
9. Опорна плита
10. Отвір для видалення пилу
11. Гайковий ключ
12. Гвинт затискача полотна
13. Дата
14. Всмоктувальний отвір (за замовленням)
15. Гвинт кріплення опорної плити
16. Лінія різання
17. Паралельний упор (за замовленням)
18. Гвинт (за замовленням)
19. Затискувальна планка (за замовленням)

### ЕЛЕКТРИЧНА БЕЗПЕКА

Цей інструмент живиться тільки однією напругою.

Мережева напруга має відповідати значенню, зазначеному в таблиці з паспортними даними.



Інструмент Stanley обладнаний подвійною ізоляцією, тому заземлення не потрібне.

У разі виходу з ладу мережевого шнура необхідно надіслати його в сервісний центр STANLEY для заміни на спеціальний кабель.

### ВИКОРИСТАННЯ ПОДОВЖУВАЧА

Дозволяється використовувати лише 3-дротовий схвалений для застосування подовжувач, що відповідає вхідній потужності інструменту (див. Технічні характеристики). Мінімальний перетин кабелю має бути 1,5 мм<sup>2</sup>, максимальна довжина — 30 метрів.

У разі використання кабельної котушки обов'язково розмотувати подовжувач повністю.

### ЗБИРАННЯ ТА НАЛАШТУВАННЯ



**ОБЕРЕЖНО!** Щоб запобігти травмуванню, перед початком регулювання або зняття/встановлення приладдя необхідно завжди вимкати інструмент та від'єднувати джерело живлення. Перед повторним вмиканням інструменту необхідно натиснути та відпустити пусковий вимикач, щоб переконатися, що інструмент вимкнений. Раптове вмикання може призвести до травмування.

### Установка полотна:

#### (SJ60) (Рис. А-1)

- Підняти захисний екран (4).
- Узяти полотно (7) зубцями догори, як показано на рисунку.
- Відвести важіль затискача полотна (5) від опори (9).
- Вставити до упору хвостовик полотна в утримувач (6).
- Відпустити важіль затискача полотна (5).
- Опустити захисний екран (4).

#### (SJ45) (Рис. А-2)

- Послабити (не викручуючи повністю) два гвинти. (12).
- Узяти полотно (7) зубцями догори.
- Вставити до упору хвостовик полотна (7) в утримувач (6).
- Потроху закручуючи по черзі два гвинти (12), виставити положення полотна, а потім закрутити гвинти (12) до кінця.



**ОБЕРЕЖНО!** 1. Необхідно очищувати полотно та утримувач полотна від тирси та інших сторонніх речовин, що можуть налипнути на них. Якщо цього не буде зроблено, це може призвести до затиснення полотна та спричинити серйозну травму.

2. Забороняється торкатися полотна та деталі відразу після закінчення різання, тому що вони можуть мати високу температуру та спричинити внаслідок цього опік шкіри.
3. Необхідно надійно затискати полотно в утримувачі. Недостатньо щільне затискання полотна може призвести до пошкодження полотна та серйозної травми.
4. Дозволяється використовувати тільки полотна типу Т. Використання полотен інших типів може призвести до недостатньо щільного затискання полотна та спричинити серйозну травму.
5. Для досягнення найкращих результатів різання слід використовувати полотна, що відповідають матеріалу, що ріжеться.

### Підключення вакуумного пилотирозбірника до інструмента (Рис. С)

- Вставити всмоктувальну насадку (14) в отвір для видалення пилу (10).

### Залишковий ризик

Додатковий залишковий ризик може виникнути у випадках використання інструменту, які можуть бути не враховані в наведених інструкціях з безпечної експлуатації. Така небезпека може виникати в разі неправильного або тривалого використання та ін.

Навіть за умов дотримання всіх відповідних правил техніки безпеки та використанні захисних пристроїв деякі залишкові ризики все ж залишаються. Серед них:

- травми, отримані внаслідок торкання обертових і рухомих деталей;
- травми, отримані під час заміни деталей, ножів та приладдя;
- травми, отримані внаслідок тривалого використання інструменту. В разі тривалого використання інструменту необхідно робити регулярні перерви в роботі;
- погіршення слуху;
- ризик для здоров'я, спричинений вдиханням пилу, що утворився під час роботи інструменту (наприклад, під час роботи з деревиною, особливо дубом, буком або МДФ).

### ВИКОРИСТАННЯ

#### Регулювання опорної плити для різання під кутом (Рис. D)

**Обережно!** Забороняється використовувати інструмент, якщо опорна плита не закріплена або відсутня. Перед початком роботи необхідно завжди надійно закріплити опорну плиту. Недостатньо щільне кріплення опорної плити може спричинити серйозну травму.

Опорну плиту (9) можна встановити для різання під кутом 45° з нахилом вліво або вправо.

- Підняти захисний екран (4).
- Відкрутити два гвинти кріплення опорної плити (15).
- Зсунути опорну плиту (9) вперед, повернути її наліво чи направо, та зсунути назад в положення 45°.
- Затягнути два гвинти кріплення опорної плити (15).

#### Щоб встановити опорну плиту для різання під кутом 90°:

- Відкрутити два гвинти кріплення опорної плити (15).
- Зсунути опорну плиту (9) вперед, повернути її наліво чи направо, та зсунути назад в положення 0°.
- Затягнути два гвинти кріплення опорної плити (15).
- Опустити захисний екран (4).
- **ОБЕРЕЖНО!** Для запобігання розлітанню тирси необхідно опустити захисний екран. Проте, під час різання під кутом треба тримати його піднятим.

#### Регулятор швидкості обертання:

- (SJ60) (Рис. А-1): Регулятор швидкості (3) розташований на верхній поверхні електричного лобзика. Швидкість може бути налаштована від 1, що відповідає низькій швидкості, до 6, що відповідає високій швидкості.
- (SJ45) (Рис. Е): Регулятор швидкості (3) розташований на кінці пускового вимикача. Повертання регулятора в напрямку позначки «+» збільшує частоту рухів полотна, а в напрямку «-» — зменшує її.
- Інформацію щодо рекомендованої швидкості роботи інструменту під час різання різних матеріалів див. в таблиці. Швидкість різання може змінюватися згідно до типу та товщини деталі. В загальному випадку вищі швидкості дозволяють різати деталі швидше, але в цьому разі зменшується ресурс полотна.

Деталь, що ріжеться	Положення для регулятора швидкості – SJ60	Швидкість SJ45
Деревина	5-6	висока швидкість
Корозійностійка сталь	3-4	середня швидкість
Низьковуглецева сталь	3-6	
Алюміній	3-6	
Пластмаса	1-4	

- **ОБЕРЕЖНО!** Якщо інструмент працюватиме протягом довгого часу на малій швидкості, це спричинить перевантаження електричного мотору та його перегрів.

#### Увімкнення та вимкнення (Рис. А-1, Рис. А-2)

- Щоб увімкнути інструмент, потрібно натиснути на пусковий вимикач (1).

- Для тривалого використання слід натиснути на пусковий вимикач (1), а потім на фіксатор пускового вимикача (2).
- Щоб вимкнути інструмент, потрібно відпустити вимикач. Щоб вимкнути інструмент після тривалої роботи, потрібно ще раз натиснути вимикач та відпустити його.

### Використання функції Sightline (Рис. F)

- Накреслити олівцем лінію різання.
- Встановити електричний лобзик напроти лінії (16).
- Якщо дивитися прямо над лобзиком, можна легко дотримуватися лінії різання.

### Режим різання (тільки для SJ60)

- Розмах або дія маятникового ходу забезпечують більш сильну дію полотна і розроблені для різання м'яких матеріалів, таких як дерево або пластмаса. Вони забезпечують швидше, але менш плавне різання матеріалу. Цей електричний лобзик має ручку регулювання маятникового відхилення полотна. Використання цієї ручки докладно описане в наступному розділі.
- Обережно! Забороняється використовувати маятникову функцію для різання металу.

### Ручка регулювання розмаху маятникового ходу (Рис. G — SJ60)

- Пилка SJ60 оснащена чотирма режимами різання зі збільшенням маятникового дії:
- Положення 0: метал, алюміній і листовий метал (немає маятникового дії).
- Положення I: шаруваті матеріали, тверді породи дерева і стільниці.
- Положення II: фанера і ПВХ/пластмаса.
- Положення III: м'які породи дерева і швидке різання.

### Для регулювання маятничової дії (Рис. G):

- Повернути ручку регулювання розмаху маятничового ходу (8) в потрібне положення.

### Різання

Під час різання необхідно міцно тримати інструмент обома руками (Рис. H).

Опорна плита (9) має бути щільно притиснута до матеріалу під час різання. Завдяки цьому пилка не буде підстрибувати, це зменшить вібрацію і зведе до мінімуму пошкодження полотна.

- Перед початком різання слід дати полотну вільно попрацювати протягом кількох секунд.
- Під час різання не рекомендується прикладати до інструмента надмірне зусилля.

### Поради щодо ефективного використання інструмента

#### Різання шаруватих матеріалів

Під час різання шаруватих матеріалів може відбуватися їх розщеплення, що може призвести до пошкодження зовнішньої поверхні. В більшості випадків різання відбувається під час руху полотна вгору, тому, якщо опорна плита знаходиться на зовнішній поверхні, потрібно використовувати полотно, що виконує різання під час руху вниз, або

- використовувати дрібнозубе полотно.
- починати різання з тильної сторони деталі.
- Щоб звести до мінімуму розщеплення, потрібно затиснути деталь, що оброблюється, між непотрібними шматками деревини або ДСП, а потім виконувати різання цієї конструкції.

#### Різання металу

**Обережно!** Під час різання металу забороняється підключати пилотирозбірник. Металева тирса можуть бути дуже гарячою та може спричинити пожежу.

Слід пам'ятати про те, що різання металу займає набагато більше часу, ніж різання дерева.

- Необхідно використовувати полотно, призначене для обробки металу.
- Під час різання тонколистового металу рекомендується прикріпити до тильної сторони робочої деталі непотрібний шматок деревини, а потім виконувати різання цієї конструкції.
- Уздовж наміченої лінії різання рекомендується нанести плівку оливи.

#### Паралельний упор (за замовленням)

- Подовжне і кругове різання можна легко виконувати без накресленої олівцем лінії за допомогою паралельного або кругового упору.

#### Прикріплення паралельного упору (Рис. I)

- Паралельний упор (17) вставити в прорізи опорної плити таким чином, щоб поперечина була спрямована вниз, як показано на рисунку I.
- Вставити гвинт (18) у отвір у дні опорної плити.
- Вирівняти затискну планку (19) над гвинтом таким чином, щоб загнутий край був спрямований вниз і в напрямку задньої частини пилки.
- Закрутити хрестоподібно викруткою гвинт в різьбовому отворі в затискній планці, як показано на Рис. G.
- Відрегулювати ширину смуги, що має бути відрізана, і затягнути гвинт.

## Різнання по колу (Рис. J)

- Вставити паралельний упор в проріз з правого боку опорної плити таким чином, щоб поперечина була спрямована вгору.
- Відрегулювати положення напрямної планки таким чином, щоб відстань від полотна до отвору в поперечині становила потрібний радіус різання, а потім затягнути гвинт.
- Встановити пилку так, щоб центр отвору в поперечині знаходився над центром кола, що має бути вирізане (щоб встановити полотно в необхідне положення, можна зробити заглиблювальний проріз, висвердлити отвір для полотна або зробити проріз всередину від краю матеріалу).
- Після установки пилки в необхідне положення вставити маленький цвях в отвір в поперечині точно по центру кола, що має бути вирізане.
- Використовуючи напрямну планку як поворотну штангу, вирізати коло.

## ТЕХНІЧНЕ ОБСЛУГОВУВАННЯ

Конструкція інструменту STANLEY розрахована на роботу протягом тривалого періоду часу з мінімальним технічним обслуговуванням. Тривала задовільна робота інструменту залежить від належного догляду та регулярного чищення.

- Необхідно регулярно очищувати вентиляційні прорізи в інструменті і зарядному пристрої за допомогою м'якої щітки або сухої тканини.
- Необхідно регулярно очищувати корпус двигуна за допомогою вологої тканини. Забороняється використовувати для очищення абразивні матеріали та засоби очищення на основі розчинників. Інструмент не призначений для обслуговування користувачем. В разі виникнення несправностей необхідно звернутися до авторизованого сервісного центру.



### Змащування

Ваш електричний інструмент не потребує додаткового змащування.



### Чищення



**ОБЕРЕЖНО!** Видувати бруд і пил з корпусу дозволяється за допомогою сухого повітря під тиском по мірі накопичення бруду всередині і навколо вентиляційних отворів. Під час виконання цієї процедури необхідно використовувати засоби захисту очей і респіратор встановленого зразка.



**ОБЕРЕЖНО!** Для очищення неметалевих частин інструменту забороняється використовувати розчинники та агресивні хімічні речовини. Ці хімічні речовини можуть пошкодити матеріали, з яких складаються ці деталі. Для очищення потрібно використовувати суху ганчірку та м'який мильний розчин. Не дозволяється проникнення рідини всередину інструменту і занурення інструменту будь-якою частиною в рідину.

Для забезпечення БЕЗПЕКИ та НАДІЙНОСТІ інструменту ремонт, перевірку стану графітових щіток та їхню заміну, а також будь-які інші операції з технічного обслуговування мають проводити працівники сервісних центрів STANLEY, а для заміни потрібно використовувати тільки запасні частини Stanley.

## Додаткове приладдя



**ОБЕРЕЖНО!** Оскільки приладдя сторонніх виробників, що не входять до переліку приладдя STANLEY, не було випробоване з цим продуктом, його використання може бути небезпечним. Для запобігання травмування необхідно використовувати лише рекомендовані компанією STANLEY приладдя та обладнання.

Детальну інформацію про доступне приладдя можна дізнатися у офіційного дилера.

## Захист навколишнього середовища



Окреме збирання. Цей продукт не можна викидати разом зі звичайним побутовим сміттям.

Якщо якимось ви вирішите, що ваш виріб фірми STANLEY має бути замінено, або він вам більше не потрібний, не викидайте його на смітний побутового сміття. Зробіть цей виріб доступним для спеціального збирання.



Компанія STANLEY має можливість для збору та переробки продуктів власного виробництва після закінчення їхнього терміну служби. Щоб скористатися цією послугою, поверніть виріб компанії в офіційний сервісний центр, які збирають відпрацьовані продукти за наш рахунок.

Ви можете знайти місцезнаходження найближчого до Вас сервісного центру, зв'язавшись з місцевим офісом компанії STANLEY за адресою, вказаною в цих інструкціях. Крім того, список офіційних сервісних центрів компанії STANLEY з усіма подробицями нашого післяпродажного обслуговування та контактною інформацією міститься в Інтернеті за адресою: [www.2helpU.com](http://www.2helpU.com)

**Примітка**

Одним із принципів політики STANLEY є постійне вдосконалення наших виробів, тому ми залишаємо за собою право змінювати характеристики нашої продукції без попереднього сповіщення.

Перелік стандартного та додаткового обладнання може різнитися залежно від країни.

Технічні характеристики виробів можуть різнитися залежно від країни.

Повний асортимент продукції може бути доступний не в усіх країнах. З питання наявності окремих виробів слід звернути до дилерів STANLEY.

**Інформація з обслуговування**

Компанія STANLEY пропонує широку мережу авторизованих сервісних центрів, якими володіє компанія. В усіх сервісних центрах STANLEY працюють кваліфіковані співробітники, які виконують ефективне і надійне сервісне обслуговування для власників електричних інструментів. З питань технічних консультацій, ремонту або придбання оригінальних деталей потрібно звернутися до найближчого представництва компанії STANLEY.

**ТЕХНІЧНІ ХАРАКТЕРИСТИКИ**

<b>КУТОВА ШЛІФУВАЛЬНА МАШИНА СЕРЕДЬНОГО РОЗМІРУ</b>		<b>SJ45</b>	<b>SJ60</b>
Напруга	Взм. ст.	220–240	220–240
Частота	Гц	50/60	50/60
Споживана потужність	Вт	450	600
Номінальна швидкість	хв <sup>-1</sup>	500–3000	500–3000
Різання під кутом	Градуси	+/-45	+/-45
Максимальна товщина різання по деревині/ сталі/алюмінію	мм	65/6/10	75/6/10
Робоче переміщення	мм	19	19
Маятниковий рух		Ні	Так
Вага	кг	1,8	1,9

# STANLEY

## Гарантійні умови

Шановний покупець!

1. Вітаємо Вас з покупкою високоякісного виробу STANLEY і висловлюємо вдячність за Ваш вибір.
2. При покупці виробу вимагайте перевірки його комплектності і справності у Вашій присутності, інструкцію з експлуатації та заповнений гарантійний талон українською мовою

В гарантійному талоні повинні бути внесені: модель, дата продажу, серійний номер, дата виробництва інструменту; назва, печатка і підпис торгової організації. За відсутності у Вас правильно заповненого гарантійного талону, а також при невідповідності зазначених у ньому даних ми будемо змушені відхилити Ваші претензії щодо якості даного виробу.

3. Щоб уникнути непорозумінь, переконливо просимо Вас перед початком роботи з виробом уважно ознайомитися з інструкцією з його експлуатації. Правовою основою справжніх гарантійних умов є чинне Законодавство. Гарантійний термін на даний виріб складає 24 місяці і обчислюється з дня продажу. У разі усунення недоліків виробу, гарантійний строк продовжується на період його перебування в ремонті. Термін служби виробу становить 5 років з дня продажу.
4. У разі виникнення будь-яких проблем у процесі експлуатації виробу рекомендуємо Вам звертатися тільки в уповноважені сервісні центри STANLEY, адреси та телефони яких Ви зможете знайти в гарантійному талоні, на сайті [www.2helpU.com](http://www.2helpU.com) або дізнатися в магазині. Наші сервісні станції - це не тільки кваліфікований ремонт, але і широкий асортимент запчастин і аксесуарів.
5. Виробник рекомендує проводити періодичну перевірку і технічне обслуговування виробу в уповноважених сервісних центрах.
6. Наші гарантійні зобов'язання поширюються тільки на несправності, виявлені протягом гарантійного терміну і викликані дефектами виробництва та \ або матеріалів.
7. Гарантійні умови не поширюються на несправності виробу, що виникли в результаті:
  - 7.1 Недотримання користувачем приписів інструкції з експлуатації виробу, застосування виробу не за призначенням, неправильного зберігання, використання приладдя, витратних матеріалів і запчастин, що не передбачені виробником.
  - 7.2 Механічного пошкодження (відколи, тріщини і руйнування) внутрішніх і зовнішніх деталей виробу, основних і допоміжних рукояток, мережевого кабелю, що викликані зовнішнім ударним або будь-яким іншим впливом

- 7.3 Потрапляння у вентиляційні отвори та проникнення всередину виробу сторонніх предметів, матеріалів або речовин, що не є відходами, які супроводжують застосування виробу за призначенням, такими як: стружка, тирса, пісок, та ін.
- 7.4 Впливу на виріб несприятливих атмосферних і інших зовнішніх факторів, таких як дощ, сніг, підвищена вологість, нагрівання, агресивні середовища, невідповідність параметрів електромережі, що зазначені на інструменті.
- 7.5 Стихийного лиха. Пошкодження або втрати виробу, що пов'язані з непередбаченими лихами, стихійними явищами, у тому числі внаслідок дії непереборної сили (пожежа, блискавка, потоп і інші природні явища), а також внаслідок перепадів напруги в електромережі та іншими причинами, які знаходяться поза контролем виробника.
8. Гарантійні умови не поширюються:
  - 8.1. На інструменти, що піддавались розкриттю, ремонту або модифікації поза уповноваженим сервісним центром.
  - 8.2. На деталі, вузли та матеріали, що мають сліди природного зносу, такі як: приводні реміні і колеса, вугільні щітки, мастило, підшипники, зубчасті зчеплення редукторів, гумові ущільнення, сальники, направляючі ролики, муфти, вимикачі, бойки, штовхачі, стволы тощо.
  - 8.3. На змінні частини: патрони, цанги, затискові гайки і фланці, фільтри, акумуляторні батареї, ножі, шліфувальні підшви, ланцюги, зірочки, пильні шини, захисні кожухи, пилки, абразиви, пильні і абразивні диски, фрези, свердла, бури тощо
  - 8.4. На несправності, що виникли в результаті перевантаження інструменту (як механічного, так і електричного), що спричинили вихід з ладу одночасно двох і більше деталей і вузлів, таких як: ротора і статора, обох обмоток статора, веденої і ведучої шестерень редуктора або інших вузлів і деталей. До безумовних ознак перевантаження виробу відноситься, крім інших: поява кольорів мінливості, деформація або оплавлення деталей і вузлів виробу, потемніння або обвуглювання ізоляції проводів електродвигуна під впливом високої температури.



Виробник:  
 "Stanley Black & Decker Deutschland  
 GmbH" Black-&-Decker Str.40, D-65510  
 Idstein, Німеччина

## ملحقات اختيارية



تحذير: بما أن أي ملحقات أخرى غير تلك المقدمة من قبل STANLEY لم تُختبر مع هذا المنتج، فإن استخدامها قد يكون خطراً للغاية. وللد من خطر الإصابة، يجب استخدام الملحقات الموصى بها من قبل STANLEY فقط مع هذا المنتج.

راجع بائع التجزئة لديك لمزيد من المعلومات عن الملحقات المناسبة.

## حماية البيئة

فرز النفايات. يجب عدم وضع هذا المنتج مع النفايات المنزلية العادية.



إذا وجدت في يوم ما أنك بحاجة إلى استبدال منتج ستانلي، أو إذا لم تعد بحاجة إلى استخدامه، فلا تتخلص منه مع النفايات المنزلية. وقم بإتاحته للفرز.

يتيح فرز المنتجات المستخدمة وتغليفها بإعادة تدوير المواد واستخدامها مرة أخرى. حيث يساعد إعادة استخدام المواد المعاد تدويرها في منع التلوث البيئي ويقلل من الطلب على المواد الخام.



يمكنك التحقق من موقع أقرب وكيل إصلاح معتمد من خلال الاتصال بمكتب ستانلي المحلي على العنوان المشار إليه في الدليل. وبدلاً من ذلك، توجد قائمة بوكلاء الإصلاح المعتمدين من ستانلي وبياناتهم الكاملة لخدمات ما بعد البيع وبيانات اتصالاتهم على موقع الإنترنت: [www.2helpU.com](http://www.2helpU.com).

## ملاحظات

تعتمد سياسة شركة STANLEY على التحسين المستمر لمنتجاتنا، ومن ثم فإننا نحتفظ بحق إجراء أي تعديلات على خصائص المنتج بدون إشعار مسبق.

يمكن أن تتباين التجهيزات والملحقات القياسية من بلد لآخر.

ويمكن أن تتباين مواصفات المنتج من بلد لآخر.

يمكن ألا تتوفر المجموعة الكاملة للمنتج في كل البلدان. اتصل بموزعي STANLEY لديك للتحقق من توفر المجموعة.

## معلومات الصيانة

توفر شركة STANLEY شبكة كاملة من مراكز الصيانة المملوكة للشركة و/أو وكلاء الخدمة المعتمدين في جميع أنحاء بلدك. لدى كل مراكز صيانة STANLEY فرق عمل مدربة لإمداد العملاء بخدمة فعالة ومعتمدة للأدوات الكهربائية. إذا احتجت إلى مشورة فنية أو إجراء أي إصلاحات أو شراء قطع غيار أصلية، فاتصل بأقرب فرع STANLEY لديك.

## البيانات الفنية

SJ60	SJ45	ملحقة زاوية متوسطة	
240~220	240~220	فولط تيار متردد	الفولطية
50/60	50/60	هرتز	التردد
600	450	واط	دخل الطاقة
500~3000	500~3000	لغة في الدقيقة	السرعة المقدرة
-45/+	-45/+	درجة	القطع المائل
			الحد الأقصى لقطع الخشب/الصلب/الألومنيوم
75/6/10	65/6/10	ملم	طول الشوط
19	19	ملم	إجراء البندول
نعم	لا		الوزن
1.9	1.8	كجم	

## ضمان سنة اثنان

إذا وجد في منتج ستانلي عيب تصنيع أو خامات في غضون 24 شهراً من تاريخ الشراء، نضمن لك ستانلي استبدال جميع الأجزاء المعيبة أو استبدال الوحدة مجاناً وفق تقديرنا المطلق شريطة:

- عدم إساءة استخدام المنتج ووجوب استخدامه وفقاً لدليل التعليمات.
- عدم تعرض المنتج للبلل والإهلاك العادي.
- عدم محاولة إصلاح المنتج عن طريق أشخاص غير معتمدين.
- تقديم سند إثبات الشراء.
- إعادة منتج ستانلي كاملاً مع جميع المكونات الأصلية.
- عدم استخدام المنتج لأغراض التأجير.

إذا كنت ترغب في المطالبة بالضمان، اتصل ببائعك أو تحقق من موقع أقرب وكيل إصلاح معتمد لستانلي أو اتصل على مكتب ستانلي المحلي على العنوان المشار إليه في هذا الدليل. كما يمكن الحصول على قائمة بوكلاء الإصلاح المعتمدين من ستانلي وبياناتهم الكاملة لخدمات ما بعد البيع على موقع الإنترنت: [www.2helpU.com](http://www.2helpU.com).

- الوضع 1: للصفائح والخشب الصلب وأسطح العمل التي تستخدم في المطبخ.
- الوضع 2: الخشب الرقائقي وPVC/بلاستيك.
- الوضع 3: الخشب اللين والقطع السريع.

### لضبط إجراء البندول (الشكل G):

- أدر محدد شوط البندول (8) إلى الوضع المطلوب.

### النشر

أمسك الأداة بقوة بكلتا يديك أثناء القطع (الشكل H).

- يجب تثبيت لوحة القرصة (9) بإحكام مقابل المادة المراد قطعها. وهذا سيساعد في منع المنشار من القفز، ويقلل الاهتزاز ويحد من كسر الشفرات.
- دع الشفرة تعمل بحرية لمدة ثوانٍ قبل بدء القطع.
- اضغط ضغطاً خفيفاً على الأداة عند القيام بالقطع.

### إشارات لاستخدام أمثل

### صفائح النشر

عند قطع شرائح، قد يحدث تشقق يمكن أن يتلف سطح العرض. شفرات المنشار الأكثر شيوعاً تقطع على الشوط التصاعدي، لذلك إذا كانت لوحة القرصة مستقرّة على سطح العرض إما أن تستخدم شفرة المنشار الذي يقطع على الشوط السفلي أو:

- استخدم شفرة منشار ناعمة الأسنان.
- انشر من السطح الخلفي لقطعة الشغل.
- للحد من التشقق، ثبت قطعة من مخلفات الخشب أو لوح مضغوط في كلا جانبي قطعة الشغل وانشر من خلال هذه الشطيرة.

### نشر المعادن

تحذير! لا تستخدم المكنسة الكهربائية عند قطع المعادن. حيث ستكون برادة الحديد ساخنة وقد تتسبب في نشوب حريق.

كن على علم بأن نشر المعدن يأخذ وقتاً أطول بكثير من نشر الخشب.

- استخدم شفرة منشار مناسبة لنشر المعادن.
- عندما قطع صفائح معدنية رقيقة، ثبت قطعة من مخلفات الخشب على السطح الخلفي لقطعة الشغل واقطع من خلال هذه الشطيرة.
- افرش طبقة رقيقة من الزيت بطول خط القطع المستهدف.

### حاجز الشق (اختياري)

- الشق والقطع الدائري دون خط قلم رصاص يتم بسهولة مع حاجز الشق ودليل الدائرة

### تركيب حاجز الشق (الشكل I)

- ركب حاجز الشق (17) في فتحات لوحة القرصة على أن تكون العارضة موجهة للأسفل كما هو مبين في الشكل I.
- ضع البرغي (18) في الثقب في أسفل لوحة القرصة.
- حاّ قضيّب القامطة (19) على البرغي مع جعل الحافة المشفّهة لأسفل وتشير نحو الجزء الخلفي من المنشار.

- باستخدام مفك فيليبس، ركب المسامير في الثقب المولوب الموجود في قضيّب القامطة كما هو مبين في الشكل G.
- اضبط عرض القطع واربط البرغي.

### القطع الدائري (الشكل J)

- أدخل حاجز الشق في الفتحة الموجودة على الجانب الأيمن من لوحة القرصة على أن تتجه العارضة لأعلى.
- اضبط حاجز الشق بحيث تساوي المسافة من الشفرة إلى الثقب الموجود في العارضة نصف القطر المطلوب، ثم اربط البرغي.
- ضع المنشار بحيث يكون مركز الثقب في العارضة أعلى مركز الدائرة المراد قطعها (اصنع قطعاً غائراً، واتقب ثقياً للشفرة أو اقطع من الداخل من حافة المادة لإيصال الشفرة إلى الموضع المطلوب).
- عند وضع المنشار بشكل صحيح، أدخل مساميراً صغيراً في مركز الدائرة المراد قطعها بالضبط عبر الثقب الموجود في العارضة.
- وباستخدام حاجز الشق كدراغ دليلي، ابدأ في القطع على شكل دائرة.

### الصيانة

تم تصميم الأداة الكهربائية من STANLEY لكي تعمر لفترة طويلة بأقل قدر من الحاجة للصيانة. ويعتمد استمرار الآلة في أداء عملها على النحو المرضي على العناية المناسبة والتنظيف المنتظم.

- استخدم فرشاة ناعمة أو قطعة قماش جافة لتنظيف فتحة تهوية الأداة بانتظام.
- نظف مبيت المحرك بانتظام باستخدام قطعة قماش مبللة. لا تستخدم المنظفات الكاشطة أو المذيبة. لا يمكن صيانة هذا الجهاز بواسطة المستخدم. فإذا حدثت أي مشكلات، يجب الاتصال بوكيل إصلاح معتمد.

### التشحيم



لا تحتاج الأداة الكهربائية إلى تشحيم إضافي.

### التنظيف



تحذير: تخلص من الأوساخ والأتربة المتراكمة بالعلبة الرئيسية عن طريق استخدام الهواء الجاف كلما رأيت التراب قد تجمع في فتحات التهوية وحولها. أثناء القيام بهذا الإجراء، ارتد واقٍ للعين معتمد مع قناع معتمد للوقاية من التراب.



تحذير: لا تستخدم مطلقاً المذيبات أو المواد الكيماوية القوية الأخرى لتنظيف الأجزاء غير المعدنية في الأداة. يمكن أن تتسبب تلك المواد الكيماوية في إضعاف المواد المستخدمة في هذه الأجزاء. استخدم قطعة قماش رطبة مع ماء وصابون خفيف. لا تترك أي سوائل تتسرب إلى داخل الأداة؛ ولا تغمر أي جزء من أجزاء الأداة في السائل.



للمحافظة على سلامة المنتجات وموثوقيتها في العمل، يجب إجراء جميع عمليات الإصلاح وفحص فرشاة الكربون والاستبدال وأي عمليات صيانة أو تعديل بواسطة مراكز خدمة STANLEY، وباستخدام قطع الغيار المعتمدة من STANLEY فقط.



## التحكم في السرعة المتغيرة:

- (SJ60) (الشكل A-1): توجد بكرة للتحكم في السرعة (3) أعلى منشار المنحنيات. تزداد السرعة عند تدوير البكرة من إعداد السرعة المنخفضة 1 إلى إعداد السرعة العالية 6.
- (SJ45) (الشكل E): توجد بكرة للتحكم في السرعة (3) أعلى مفتاح التشغيل. أدر بكرة السرعة باتجاه "+" لزيادة السرعة وأدر بكرة السرعة باتجاه "-" لإنقاص السرعة.
- راجع الجدول لتحديد السرعة الملائمة لقطعة الشغل المطلوب قطعها. ولكن قد تختلف السرعة المناسبة حسب نوع قطعة الشغل أو سماكتها. بصفة عامة، تتيج لك السرعات العالية قطع الشغل بسرعة أكبر ولكن سينخفض العمر التشغيلي للشفرة.

الرقم الموجود على بكرة السرعة - SJ60	الرقم الموجود على بكرة السرعة - SJ45	قطعة الشغل المطلوب قطعها
5-6	سرعة عالية	خشب
3-4	سرعة متوسطة	صلب مقاوم للصدأ
3-6		صلب طري
3-6		ألومنيوم
1-4		بلاستيك

- تحذير: في حالة تشغيل الأداة باستمرار على سرعات منخفضة لفترة طويلة، فسوف يزيد الحمل على المحرك ويسخن.
- التشغيل والإيقاف (الشكل A-1، الشكل A-2)
- لتشغيل الأداة، اضغط على مفتاح التشغيل (1).
- للتشغيل المستمر، اضغط على مفتاح التشغيل (1)، ثم اضغط على زر تثبيت وضع التشغيل (2).
- لإيقاف تشغيل الأداة، حرر مفتاح التشغيل. لإيقاف تشغيل الأداة من وضع التشغيل المستمر، اضغط على مفتاح التشغيل مرة أخرى ثم حرره.

## كيف تستخدم خاصية Sightline (الشكل F)

- استخدم قلم رصاص لتحديد خط القطع.
- ضع منشار المنحنيات على الخط (16).
- بالنظر من فوق منشار المنحنيات مباشرة، يمكن متابعة خط القطع بسهولة.

## وضع القطع (SJ60 فقط)

- يوفر شوط أو إجراء البندول حركة شفرة أكثر قوة وتم تصميمه لقطع مواد لينة مثل الخشب أو البلاستيك. فيعطي قطعاً أسرع ولكن أقل نعومة عبر المادة. يشتمل منشار المنحنيات على قرص لضبط شوط البندول. ستجد شرح طريقة استخدام هذا القرص في الفصل القادم.
- تحذير: لا تستخدم أبداً إجراء البندول في قطع المعادن.

## قرص شوط البندول (الشكل G - SJ60 فقط)

- يتميز الطراز SJ60 بأربعة أوضاع للقطع مع إمكانية زيادة إجراء البندول:
- الوضع 0: المعدن والألومنيوم وصفائح المعادن (بدون إجراء البندول).

3. يجب إحكام ربط الشفرة دائماً. فقد يتسبب عدم إحكام ربط الشفرة في كسر الشفرة أو حدوث إصابة جسدية خطيرة.
4. استخدم الشفرات التي من نوع T فقط. فقد يتسبب استخدام شفرات أخرى غير الشفرات التي من نوع T في عدم إحكام ربط الشفرة؛ ما يؤدي إلى حدوث إصابة جسدية خطيرة.
5. استخدم شفرة منشار مناسبة للأنواع المختلفة من قطع الشغل لتحقيق نتائج أفضل في القطع.

## توصيل المكنتسة الكهربائية بالأداة (الشكل C)

- أدخل فوهة المكنتسة الكهربائية (14) في مخرج تجميع الغبار (10).

## المخاطر المتبقية

عند استخدام الأداة يمكن أن تظهر مخاطر إضافية قد لا تكون مدرجة في تحذيرات السلامة المرفقة. هذه المخاطر يمكن أن تنشأ عن الاستخدام السيء أو المطول إلخ.

- حتى مع سريان تعليمات السلامة وتطبيق تجهيزات السلامة فهناك بعض المخاطر الأخرى التي لا يمكن تجنب وقوعها. وتشمل:
  - إصابات تنشأ جراء ملامسة أي أجزاء دوارة/متحركة.
  - إصابات تنشأ عند تغيير أي أجزاء أو شفرات أو ملحقات.
  - إصابات تنشأ جراء طول فترة استعمال الأداة. تحقق من توفير فترات راحة منتظمة عند استعمال الأداة لفترات طويلة.
  - تضرر السمع.
  - المخاطر الصحية التي تنجم عن تنفس الغبار الناشئ من استخدام الأداة (مثال: - قطع الخشب، خاصة خشب البلوط والزان والخشب الليفي متوسط الكثافة (MDF))

## الاستخدام

## ضبط لوحة القرصية لعمليات القطع المائلة (الشكل D)

تحذير! لا تستعمل الأداة أبداً و لوحة القرصية سائبة أو غير مركبة. ثبت لوحة القرصية بإحكام دائماً قبل استخدام الأداة الكهربائية. فقد يتسبب عدم إحكام ربط لوحة القرصية في حدوث إصابة جسدية خطيرة.

- يمكن ضبط لوحة القرصية (9) على زاوية ميل يميني أو يسرى تبلغ 45 درجة.
- ارفع غطاء التراب (4).
- أرخ برغبي لوحة القرصية (15).
- اسحب لوحة القرصية (9) إلى الأمام، وأدر لوحة القرصية يساراً أو يميناً، ثم انبعها مرة أخرى للخلف إلى موضع بزواوية 45 درجة.
- أحكم ربط برغبي لوحة القرصية (15).

## إعادة ضبط لوحة القرصية من أجل عمليات القطع بزواوية 90 درجة:

- أرخ برغبي لوحة القرصية (15).
- اسحب لوحة القرصية (9) إلى الأمام، وأدرها إلى المركز ثم ادفعها للخلف مرة أخرى إلى وضع بزواوية 0 درجة.
- أحكم ربط برغبي لوحة القرصية (15).
- اقلب غطاء التراب (4).
- تحذير: اقلب غطاء التراب لمنع القراضة من الطيران. ولكن عند القيام بعمليات قطع مائلة أو الشطف، ارفع الغطاء بالكامل.

- خطر التعرض لغبار المواد الخطرة.

18. برغي (اختياري)  
19. قضيب القامطة (اختياري)

#### الملصقات الموجودة على الأداة

بالإضافة إلى الرسوم التوضيحية المستخدمة في الدليل، تُظهر الملصقات الموجودة على الأداة الرسوم التوضيحية التالية:



احرص على قراءة دليل التعليمات قبل الاستخدام.



ارتد نظارة أمان.



ارتد واقي الأذن.

موضع كود التاريخ (الشكل B)

كود التاريخ (13) الذي يتضمن بيان سنة الصنع، مطبوع في اللعبة.  
مثال:

2017 XX XX

سنة الصنع محتويات العبوة

#### استخدام سلك إطالة

إذا احتجت إلى سلك تمديد، فاستخدم سلك تمديد ثلاثي القلوب معتمداً مناسباً لدخل الطاقة المخصص لهذه الأداة (راجع البيانات الفنية). الحد الأدنى للموصل 1.5 ملم، 2م، والحد الأقصى للطول 30 م.  
عند استخدام بكرة سلك، فأحرص على بسط السلك بالكامل.

#### التجميع والضبط

تحذير: للحد من مخاطر الإصابة الجسدية الخطيرة، أوقف تشغيل الأداة وافصل الأداة من مصدر الطاقة قبل إجراء أي تعديلات أو إزالة/تركيب الملحقات أو الكماليات. قبل إعادة توصيل الأداة، اضغط وحرر مفتاح التشغيل للتأكد من أن الأداة متوقفة بالفعل. حيث إن بدء التشغيل العرضي قد يؤدي إلى حدوث إصابة.



تركيب شفرة المنشار:

(SJ60) (الشكل A-1)

- ارفع غطاء التراب (4).
- امسك شفرة المنشار (7) كما هو مبين، على أن تكون أسنانها موجهة نحو الأمام.
- ادفع مشغل قامطة الشفرة (5) بعيداً عن لوحة القرصة (9).
- أدخل قصبه شفرة المنشار في قامطة الشفرة (6) حتى النهاية.
- حرر مشغل قامطة الشفرة (5).
- اقلب غطاء التراب (4).

(SJ45) (الشكل A-2)

- حرر قامطة الشفرة المثبتة ببرغيين (لا تزلها). (12).
- امسك شفرة المنشار (7) وأسنانها موجهة نحو الأمام.
- أدخل قصبه شفرة المنشار (7) في قامطة الشفرة (6) حتى النهاية.
- اربط برفق قامطة الشفرة المثبتة ببرغيين (12) بالتناوب لتثبيت الشفرة، ثم اربط بإحكام (12).

تحذير: 1. نظف دائماً القراضة أو المواد الغريبة الملتصقة بالشفرة و/أو حامل الشفرة. فقد يتسبب عدم فعل ذلك في عدم إحكام ربط الشفرة؛ ما يؤدي إلى حدوث إصابة جسدية خطيرة.



2. لا تلمس الشفرة أو قطعة الشغل فور انتهاء التشغيل، فقد تكون ساخنة جداً ويمكن أن تحرق جلدك.

#### تحتوي العبوة على

- 1 منشار منحنيات
- 1 شفرة
- 1 دليل التعليمات
- 1 مفتاح ربط
- 1 بطاقة الضمان
- 1 قائمة مراكز الخدمة

- تحقق من أي تلف قد يحدث في الأداة أو أجزائها أو الملحقات أثناء النقل.
- استغرق الوقت الكافي لقراءة وفهم هذا الدليل بالكامل قبل الاستخدام.

الوصف (الشكل A إلى J)

تحذير: يحظر تعديل الأداة الكهربائية أو أي جزء منها. فقد تتعرض الأداة للتلف أو تتسبب في وقوع إصابة جسدية.



1. مفتاح التشغيل
2. زر تثبيت وضع التشغيل
3. بكرة التحكم في السرعة
4. غطاء التراب
5. مشغل قامطة الشفرة
6. قامطة الشفرة
7. شفرة المنشار
8. محدد شوط البنذول
9. لوحة القرصة
10. مخرج تجميع الغبار
11. مفتاح الربط
12. قامطة الشفرة اللولبية
13. كود التاريخ
14. فوهة المكثفة الكهربائية (اختياري)
15. لوحة القرصة اللولبية
16. خط القطع
17. حاجز الشق (اختياري)

4. استخدام الأداة الكهربائية والعناية بها
- a. لا تضغط على الأداة الكهربائية. استخدم الأداة الكهربائية المناسبة لاستعمالك. حيث أن الأداة الكهربائية المناسبة سوف تقوم بأداء العمل بشكل أفضل وأكثر أماناً وفقاً للمعدل التي صُممت لأجله.
- b. لا تستخدم الأداة الكهربائية إذا لم يقم المفتاح بالتشغيل وال إيقاف. أية أداة كهربائية لا يمكن التحكم فيها باستخدام المفتاح تصبح خطرة ويجب إصلاحها.
- c. أفضل الفايبر من مصدر الطاقة الكهربائية و/أو علب البطارية من الأداة الكهربائية قبل إجراء أية تعديلات، أو تغيير أية ملحقات، أو تخزين الأدوات الكهربائية. تعمل إجراءات السلامة الوقائية هذه على تقليل خطر بدء تشغيل الأداة الكهربائية بدون قصد.
- d. خزن الأدوات الكهربائية غير المستخدمة بعيداً عن متناول الأطفال ولا تسمح للأشخاص الغير معتمدين على الأداة الكهربائية أو هذه التعليمات بتشغيل الأداة الكهربائية. تمثل الأدوات الكهربائية خطراً في أيدي المستخدمين غير المتدربين.
- e. قم بصيانة الأدوات الكهربائية. تحقق من وجود أي اختلاف أو عائق في الأجزاء المتحركة، أو كسر في الأجزاء، وأية حالة أخرى يمكن أن تؤثر على تشغيل الأدوات الكهربائية. في حالة تلفها، يتم إصلاح الأداة الكهربائية قبل استخدامها. تقع العديد من الحوادث جراء صيانة الأدوات الكهربائية بشكل سيء.
- f. احرص على أن تظل أدوات القطع حادة ونظيفة. تعمل الصيانة المناسبة لأدوات القطع ذات الحواف الحادة على تقليل احتمالية أن تنظم ويمكن التحكم فيها بشكل أسهل.
- g. استخدم أداة الطاقة الكهربائية والكماليات وروؤوس الأداة وما إلى ذلك بما يتوافق مع هذه التعليمات، مع الوضع في الاعتبار ظروف العمل والأعمال المراد تنفيذها. استخدام أداة الطاقة الكهربائية لتنفيذ العمليات في الأغراض غير المخصصة يمكن أن يتسبب في التعرض لمواقف خطيرة.
- h. حافظ على جفاف المقابض والأسطح القابضة ونظافتها وخلوها من الزيت والشحم. فالمقابض والأسطح القابضة المنزلة لا تسمح بالتعامل مع الأداة والتحكم فيها بأمان في المواقف غير المتوقعة.
5. الخدمة
- a. احرص على أن يقوم فني متخصص بإصلاح الأداة الكهربائية الخاصة بك وباستخدام قطع الغيار المتطابقة فقط. وذلك يضمن سلامة صيانة الأداة الكهربائية.

## قواعد سلامة إضافية خاصة

تعليمات السلامة للمناشير ذات منشار منحنيات

- a. احرص على حمل الأدوات الكهربائية باستخدام أسطح قابضة معزولة عند تنفيذ عملية يُحتمل فيها ملامسة ملحق القطع لأسلاك مخفية أو لسلك الأداة ذاتها. يمكن أن تؤدي ملامسة ملحق القطع لسلك "متصل بالكهرباء" إلى "كهربة" الأجزاء المعدنية المكشوفة بالأداة وتعرض المشغل لصدمة كهربائية.
- b. استخدم قمامات أو أي أدوات عملية أخرى لتأمين قطعة الشغل وتدعيمها على منصة ثابتة، إن حمل قطعة الشغل يدوياً أو في مقابل جسمك يجعلها غير مستقرة ويمكن أن يؤدي إلى فقدان التحكم بها.
- c. أبق يدك بعيدتين عن منطقة القطع، لا تمد يدك أسفل المادة التي تقوم بقطعها لأي سبب. وأمسك مقدمة المنشار عن طريق مسك المنطقة

- القابضة المكيفة الحواف. لا تدخل الأصابع أو الإبهام في محيط الشفرة الترددية وقامطة الشفرة. لا تثبت المنشار من خلال الإمساك بالقرصة.
- d. حافظ على الشفرات حادة. قد تتسبب الشفرات غير الحادة في انحراف المنشار أو توقفه عن العمل تحت الضغط.
- e. عند قطع الأنابيب أو المواسير، تأكد من أنها خالية من المياه والأسلاك الكهربائية، إلخ.
- f. انتظر حتى يتوقف المحرك عن العمل بالكامل قبل سحب الشفرة من الحزّة أو الشق الناشئ عن القطع بالمنشار. فقد تصطدم الشفرة المتحركة بقطعة الشغل مما يتسبب في كسر الشفرة أو تلف القطعة أو فقدان التحكم والتعرض لإصابة جسدية.
- g. لا تلمس قطعة الشغل أو الشفرة فور تشغيل الأداة. فقد تكون ساخنة للغاية.
- h. حافظ على جفاف المقابض ونظافتها وخلوها من الزيت والشحم. فهذا يتيح التحكم في الأداة بطريقة أفضل.
- i. نظّف الأداة بصورة متكررة، خاصة بعد الاستخدام الشاق. غالباً ما يتراكم الغبار والحبيبات المحتوية على جزيئات معدنية على الأسطح الداخلية ويمكن أن تسبب خطر الصدمة الكهربائية.
- j. تجنب تشغيل هذه الأداة لفترات طويلة. فقد يتسبب الاهتزاز الناشئ عن إجراء التشغيل لهذه الأداة في تعرض الأصابع أو الأيدي أو الأذرع لإصابة دائمة. واستخدم القفازات لتوفير بطانة إضافية وتوقف للاستراحة بشكل متكرر وقل وقت الاستخدام اليومي.
- k. تجنب التعرض لمدة طويلة للتراب الناشئ عن أنشطة النشر. احرص على ارتداء ملابس واقية وغسل المناطق الملوثة بالصايون والماء. يمكن أن يتسبب دخول الغبار في فمك أو عينيك أو تراكمه على الجلد في امتصاص المواد الكيميائية الضارة.
- l. تجنب قطع المسامير. افحص منطقة العمل جيداً للتأكد من خلوها من أي مسامير وأزلها قبل بدء تشغيل الأداة.
- m. تجنب قطع أجسام كبيرة الحجم للغاية.
- n. تأكد من عدم ملامسة الشفرة لقطعة الشغل قبل ضبط المفتاح على وضع التشغيل.
- o. لا تترك الأداة قيد التشغيل. ولا تشغيلها إلا أثناء حملها في يدك.
- p. تحتوي بعض المواد على مواد كيميائية قد تكون سامة. توخ الحذر للحيلولة دون تنفس الغبار الناتج وملامسته للجلد. اتبع تعليمات السلامة المقدمة من موفر المادة.
- q. دائماً أوقف التشغيل وانتظر حتى توقف الشفرة تماماً قبل إزالة الشفرة من قطعة الشغل.

## تعليمات الأمان الإضافية

تحذير: نحن ننصح باستخدام أداة تعمل بالتيار المتبقي مع معدل التيار المتبقي لـ 30 مللي أمبير أو أقل.



## المخاطر المتبقية

على الرغم من سريان تعليمات السلامة وتطبيق تجهيزات السلامة فهناك بعض المخاطر الأخرى التي لا يمكن تجنب وقوعها. وهي:

- تضرر السمع
- خطر التعرض لإصابات جسدية جراء الجزيئات المتطايرة.
- خطر التعرض لحروق جراء الملحقات التي تسخن أثناء التشغيل.
- خطر التعرض لإصابات جسدية جراء الاستخدام لفترات طويلة.

- b** تجنب ملامسة الجسم مع أسطح مؤرضة أو أرضية، مثل المواسير والمدافئ والأفران والمبردات. يزداد خطر التعرض لصدمة كهربائية إذا كان جسمك في وضع تأريض أو أرضي.
- c** لا تعرض الأدوات الكهربائية للمطر أو لظروف رطبة. سوف يؤدي تسرب الماء إلى داخل الأداة الكهربائية إلى زيادة مخاطر التعرض للصدمة الكهربائية.
- d** لا تسئ استخدام السلك. لا تستخدم السلك مطلقاً في حمل أو سحب الأداة الكهربائية أو فصلها من المقبس. ابق السلك بعيداً عن الحرارة والزيوت والحواف الحادة والأجزاء المتحركة. تزيد الأسلاك التالفة أو المشابكة من مخاطر التعرض للصدمة الكهربائية.
- e** عند تشغيل الأداة الكهربائية في الخارج، فاستخدم سلك امتداد مناسباً للاستخدام الخارجي. استخدم سلك مناسب لأغراض الاستخدام الخارجي يقلل من مخاطر التعرض للصدمة الكهربائية.
- f** إذا لم يكن هناك مقر من تشغيل الأداة الكهربائية في منطقة رطبة، فاستخدم شبكة تغذية محمية بقاطع تفاضلي (RCD). استخدام قاطع الدائرة يقلل من مخاطر التعرض للصدمة الكهربائية.

### 3. السلامة الشخصية

- a** كن متيقظاً، وراقب ما تفعل واستخدم حسك العام عند تشغيل الأداة الكهربائية. لا تستخدم الأداة الكهربائية عندما تكون مجهداً أو تحت تأثير المخدرات أو الكحوليات أو الأدوية. في حالة عدم الانتباه عند تشغيل الأداة الكهربائية يمكن أن تتسبب في وقوع إصابات شخصية بالغة.
- b** استخدم معدات الحماية الشخصية. احرص دائماً على ارتداء واقعي العينين، سوف تعمل معدات الحماية، مثل قناع الغبار وأخذية السلامة المقاومة للانزلاق والخوذة الصلبة وواقعي الأذن المستخدمة في ظروف مناسبة على تقليل معدل الإصابات الشخصية.
- c** تجنب بدء العمل بدون قصد. تحقق من أن المفتاح في وضع الإيقاف قبل التوصيل بمصدر الكهرباء و/أو علبة البطارية أو قبل التقاط أو حمل الأداة. إن حمل الأدوات الكهربائية وإصبعك على مفتاح التشغيل أو بينما الأدوات في وضع التشغيل من شأنه أن يستدعي وقوع حوادث.
- d** تخلس من أية مفاتيح ضبط أو ربط قبل تشغيل الأداة الكهربائية. يمكن أن يتسبب أي مفتاح ربط أو ضبط موصل بالجزء الدوار من الأداة الكهربائية في وقوع إصابات شخصية.
- e** تجنب المبالغة، ضع قدميك في وضع مناسب واحتفظ باتزانك في كل الأوقات. حيث يتيح ذلك إمكانية التحكم أفضل في الأداة الكهربائية في المواقف غير المتوقعة.
- f** ارتدي زيئاً مناسباً. لا ترتدي الملابس الفضفاضة أو الحلى. احرص على إبقاء شعرك وملابسك وقفازاتك بعيداً عن الأجزاء المتحركة. فقد تعلق الملابس الفضفاضة أو المجوهرات أو الشعر الطويل في الأجزاء المتحركة. إذا كانت الأجهزة معدة للتوصيل بوسائل إزالة أو تجميع الأتربة، فتأكد من توصيلها واستخدامها بشكل مناسب. استخدام هذه الأجهزة يمكن أن يقلل من المخاطر المتعلقة بالغبار.
- h** لا تسمح لاعتيادك على استخدام الأدوات بشكل متكرر أن يبعد داخلك اطمئناناً قد يدفعك إلى تجاهل مبادئ السلامة المتعلقة باستخدام الأدوات. فأني تصرف طائش يمكن أن يتسبب في وقوع إصابات خطيرة في لمح البصر.

### الاستخدام المقصود

لقد تم تصميم مشار المنحنيات SJ45/SJ60 من STANLEY لنشر الشب والبلاستيك والمعدن. هذا الجهاز مُعد للاستخدام المحترف.

### تعليمات السلامة

التعريفات الموضحة أدناه تبين مستوى الخطورة لكل كلمة تحذيرية. يرجى قراءة الدليل مع مراعاة هذه الرموز.

**خطر:** يشير إلى موقف خطر وشيك سوف تنتج عنه الوفاة أو إصابات خطيرة في حال عدم تجنبه.



**تحذير:** يشير إلى موقف خطر محتمل من الممكن أن تنتج عنه الوفاة أو إصابات خطيرة في حال عدم تجنبه.



**تنبيه:** يشير إلى موقف خطر محتمل ربما تنتج عنه الوفاة أو إصابات خطيرة في حال عدم تجنبه.



**ملاحظة:** يشير إلى ممارسة لا تنطوي على إلحاق إصابات جسدية للمشغل، ولكن يمكن أن ينتج عنه تلف الممتلكات إن لم يتم تجنبه.

يشير إلى خطر التعرض لصدمة كهربائية.



يشير إلى خطر نشوب حريق.



**تحذير:** لتجنب خطر التعرض للإصابات، تجب قراءة دليل التعليمات.



تحذيرات عامة متعلقة بسلامة الأداة الكهربائية

تحذير! احرص على قراءة كل تحذيرات السلامة والتعليمات والرسوم التوضيحية ذات الصلة والمواسفات المرفقة مع الأداة الكهربائية. أي قصور في اتباع تعليمات السلامة الموضحة أدناه يمكن أن يتسبب في حدوث صدمة كهربائية و/أو نشوب حريق و/أو التعرض لإصابات بالغة.



احتفظ بكل التحذيرات والتعليمات كمرجع مستقبلي. يشير مصطلح "الأداة الكهربائية" الوارد في التحذيرات إلى الأداة الكهربائية المشغلة عن طريق التيار الكهربائي (يسلك) أو ببطارية (بدون سلك).

### 1. سلامة منطقة العمل

- a** حافظ على منطقة العمل نظيفة ومضاءة جيداً. فالمناطق غير المرتبة أو المظلمة عرضة لوقوع حوادث.
- b** لا تشغل الأدوات الكهربائية في أجواء قابلة للانفجار، مثل وجود سوائل أو غازات أو غبار قابلة للاشتعال. تطلق الأدوات الكهربائية شرراً يمكن أن يشعل الغبار أو الأبخنة.
- c** احرص على إبعاد الأطفال والمتواجدين في منطقة العمل عند تشغيل الأداة الكهربائية. مصادر صرف الانتباه يمكن أن تجعلك تفقد القدرة على التحكم.

### 2. السلامة الكهربائية

- a** يلزم توافق قوايس الأداة الكهربائية مع مقبس التيار الكهربائي. يحظر تعديل القابيس بأي طريقة. لا تستخدم قوايس مهايئ مع الأدوات الكهربائية المتصلة بالأرضي (مؤرضة). يحد استخدام القوايس غير المعدلة ومآخذ التيار المتطابقة من مخاطر التعرض للصدمة الكهربائية.