

DEWALT®

XR LI-ION

www.DEWALT.com

DCF801

DCF902



English (original instructions)

5

Українська (переклад оригінальних інструкцій)

15



Fig. / Рис. А

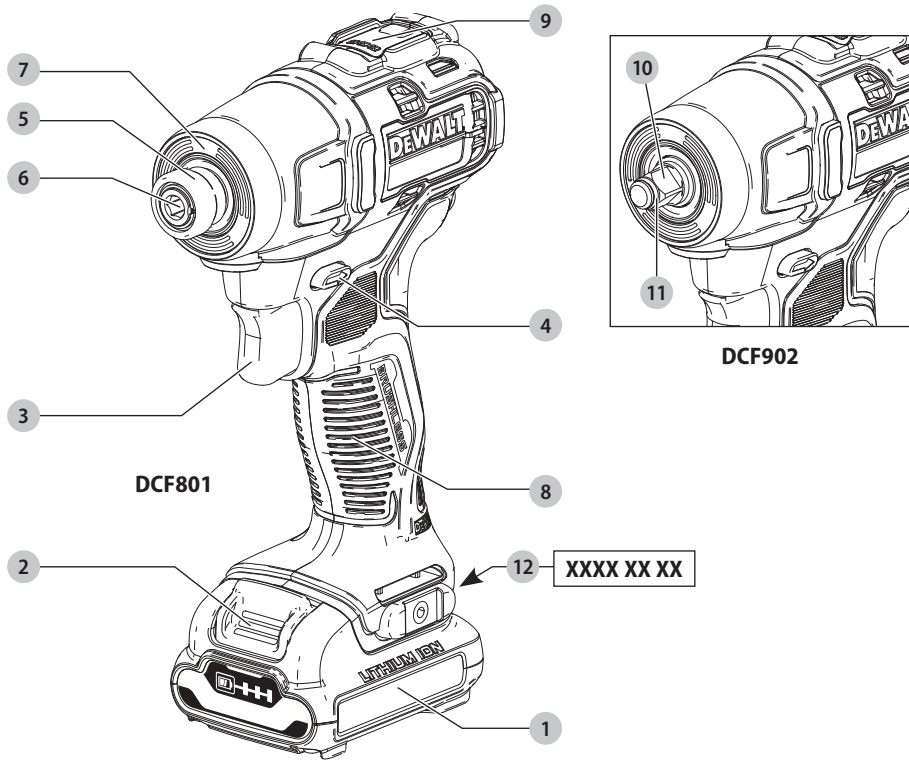


Fig. / Рис. В

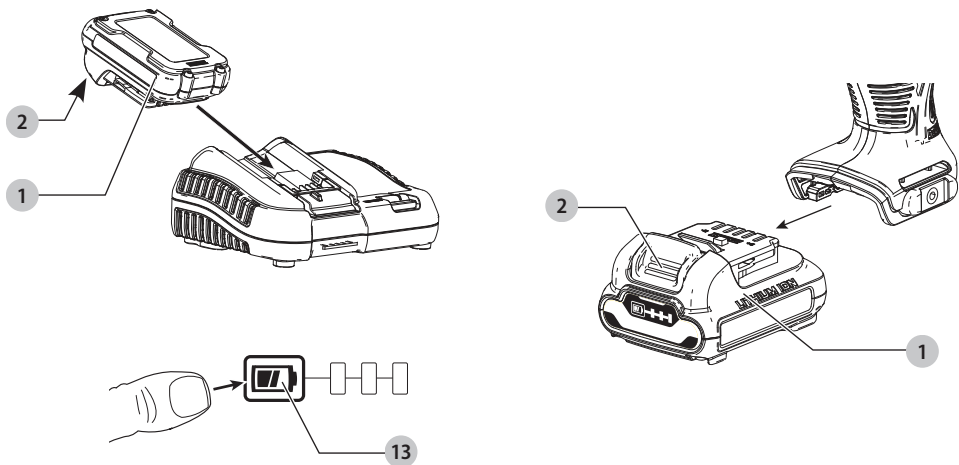


Fig. / Рис. С

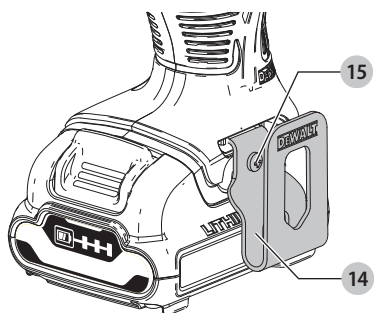


Fig. / Рис. D

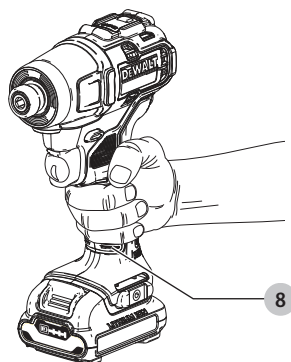


Fig. / Рис. E

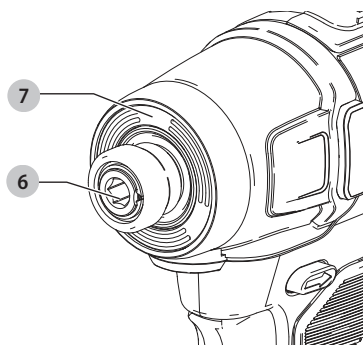


Fig. / Рис. F

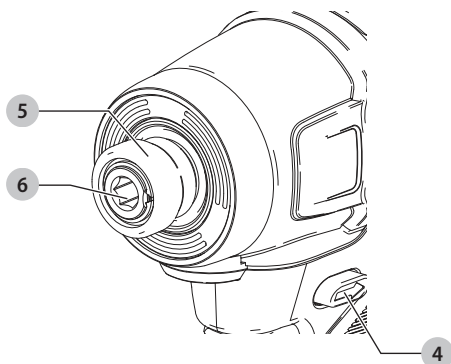
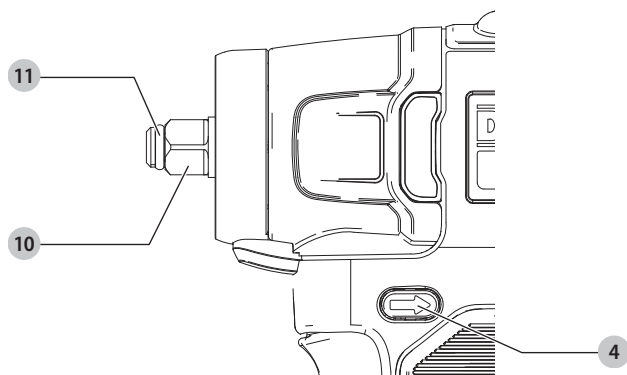


Fig. / Рис. G



SUB-COMPACT IMPACT DRIVER

DCF801

SUB-COMPACT IMPACT WRENCH

DCF902

Congratulations!

You have chosen a DeWALT tool. Years of experience, thorough product development and innovation make DeWALT one of the most reliable partners for professional power tool users.

Technical Data

		DCF801	DCF902
Voltage	V _{DC}	12	12
Type		1	1
Battery type		Li-Ion	Li-Ion
Power output	W	200	200
No-load speed			
Precision Mode	min ⁻¹	0–950	0–2850
Lo Mode	min ⁻¹	0–1950	0–1000
Hi Mode	min ⁻¹	0–2850	0–2850
Impact rate	min ⁻¹	0–3600	0–3600
Max. torque	Nm	163	168
Tool holder	mm	6.35	3/8"/9.5
Weight (without battery pack)	kg	0.8	0.8
Noise values and vibration values (tri-ax vector sum) according to EN62841-2-2:			
L _{PA} (emission sound pressure level)	dB(A)	90	90
L _{WA} (sound power level)	dB(A)	101	101
K (uncertainty for the given sound level)	dB(A)	3	3
Vibration emission value a _h =			
	m/s ²	6.7	7.8
Uncertainty K =			
	m/s ²	1.5	1.8

The vibration emission level given in this information sheet has been measured in accordance with a standardised test given in EN62841 and may be used to compare one tool with another. It may be used for a preliminary assessment of exposure.

WARNING: The declared vibration emission level represents impact tightening of fasteners of the maximum capacity of the tool. However if the tool is used for different applications, with different accessories or poorly maintained, the vibration emission may differ. This may significantly increase the exposure level over the total working period.

An estimation of the level of exposure to vibration should also take into account the times when the tool is switched off or when it is running but not actually doing the job. This may significantly reduce the exposure level over the total working period.

Identify additional safety measures to protect the operator from the effects of vibration such as: maintain the tool and the accessories, keep the hands warm, organisation of work patterns.

EC-Declaration of Conformity

Machinery Directive



Sub-Compact Impact Driver DCF801

Sub-Compact Impact Wrench DCF902

DeWALT declares that these products described under **Technical Data** are in compliance with:

2006/42/EC, EN62841-1:2015, EN62841-2-2:2014.

These products also comply with Directive 2014/30/EU and 2011/65/EU. For more information, please contact DeWALT at the following address or refer to the back of the manual.

The undersigned is responsible for compilation of the technical file and makes this declaration on behalf of DeWALT.

Markus Rompel
Vice-President Engineering, PTE-Europa
DeWALT, Richard-Klinger-Straße 11,
D-65510, Idstein, Germany
21.01.2019



WARNING: To reduce the risk of injury, read the instruction manual.

Definitions: Safety Guidelines

The definitions below describe the level of severity for each signal word. Please read the manual and pay attention to these symbols.



DANGER: Indicates an imminently hazardous situation which, if not avoided, **will** result in **death or serious injury**.



WARNING: Indicates a potentially hazardous situation which, if not avoided, **could** result in **death or serious injury**.



CAUTION: Indicates a potentially hazardous situation which, if not avoided, **may** result in **minor or moderate injury**.

Batteries				Chargers/Charge Times (Minutes)							
Cat #	V _{DC}	Ah	Weight kg	DCB104	DCB107	DCB112	DCB113	DCB115	DCB118	DCB132	DCB119
DCB122	12	2.0	0.22	30	90	60	50	30	X	30	60
DCB124	12	3.0	0.25	45	140	90	70	45	45	45	90
DCB125	12	1.3	0.20	22	60	40	30	22	X	22	40
DCB127	12	2.0	0.20	30	90	60	50	30	X	30	60

NOTICE: Indicates a practice **not related to personal injury** which, if not avoided, **may** result in **property damage**.



Denotes risk of electric shock.



Denotes risk of fire.

GENERAL POWER TOOL SAFETY WARNINGS



WARNING: Read all safety warnings, instructions, illustrations and specifications provided with this power tool. Failure to follow all instructions listed below may result in electric shock, fire and/or serious injury.

SAVE ALL WARNINGS AND INSTRUCTIONS FOR FUTURE REFERENCE.

The term "power tool" in the warnings refers to your mains-operated (corded) power tool or battery-operated (cordless) power tool.

1) Work Area Safety

- Keep work area clean and well lit.** Cluttered or dark areas invite accidents.
- Do not operate power tools in explosive atmospheres, such as in the presence of flammable liquids, gases or dust.** Power tools create sparks which may ignite the dust or fumes.
- Keep children and bystanders away while operating a power tool.** Distractions can cause you to lose control.

2) Electrical Safety

- Power tool plugs must match the outlet. Never modify the plug in any way. Do not use any adapter plugs with earthed (grounded) power tools.** Unmodified plugs and matching outlets will reduce risk of electric shock.
- Avoid body contact with earthed or grounded surfaces such as pipes, radiators, ranges and refrigerators.** There is an increased risk of electric shock if your body is earthed or grounded.
- Do not expose power tools to rain or wet conditions.** Water entering a power tool will increase the risk of electric shock.
- Do not abuse the cord. Never use the cord for carrying, pulling or unplugging the power tool. Keep cord away from heat, oil, sharp edges or moving parts.** Damaged or entangled cords increase the risk of electric shock.

- When operating a power tool outdoors, use an extension cord suitable for outdoor use.** Use of a cord suitable for outdoor use reduces the risk of electric shock.
- If operating a power tool in a damp location is unavoidable, use a residual current device (RCD) protected supply.** Use of an RCD reduces the risk of electric shock.

3) Personal Safety

- Stay alert, watch what you are doing and use common sense when operating a power tool. Do not use a power tool while you are tired or under the influence of drugs, alcohol or medication.** A moment of inattention while operating power tools may result in serious personal injury.
- Use personal protective equipment. Always wear eye protection.** Protective equipment such as a dust mask, non-skid safety shoes, hard hat or hearing protection used for appropriate conditions will reduce personal injuries.
- Prevent unintentional starting. Ensure the switch is in the off-position before connecting to power source and/or battery pack, picking up or carrying the tool.** Carrying power tools with your finger on the switch or energising power tools that have the switch on invites accidents.
- Remove any adjusting key or wrench before turning the power tool on.** A wrench or a key left attached to a rotating part of the power tool may result in personal injury.
- Do not overreach. Keep proper footing and balance at all times.** This enables better control of the power tool in unexpected situations.
- Dress properly. Do not wear loose clothing or jewellery. Keep your hair and clothing away from moving parts.** Loose clothes, jewellery or long hair can be caught in moving parts.
- If devices are provided for the connection of dust extraction and collection facilities, ensure these are connected and properly used.** Use of dust collection can reduce dust-related hazards.
- Do not let familiarity gained from frequent use of tools allow you to become complacent and ignore tool safety principles.** A careless action can cause severe injury within a fraction of a second.

4) Power Tool Use and Care

- Do not force the power tool. Use the correct power tool for your application.** The correct power tool

will do the job better and safer at the rate for which it was designed.

- b) **Do not use the power tool if the switch does not turn it on and off.** Any power tool that cannot be controlled with the switch is dangerous and must be repaired.
- c) **Disconnect the plug from the power source and/or the battery pack, if detachable, from the power tool before making any adjustments, changing accessories, or storing power tools.** Such preventive safety measures reduce the risk of starting the power tool accidentally.
- d) **Store idle power tools out of the reach of children and do not allow persons unfamiliar with the power tool or these instructions to operate the power tool.** Power tools are dangerous in the hands of untrained users.
- e) **Maintain power tools and accessories. Check for misalignment or binding of moving parts, breakage of parts and any other condition that may affect the power tool's operation. If damaged, have the power tool repaired before use.** Many accidents are caused by poorly maintained power tools.
- f) **Keep cutting tools sharp and clean.** Properly maintained cutting tools with sharp cutting edges are less likely to bind and are easier to control.
- g) **Use the power tool, accessories and tool bits, etc. in accordance with these instructions, taking into account the working conditions and the work to be performed.** Use of the power tool for operations different from those intended could result in a hazardous situation.
- h) **Keep handles and grasping surfaces dry, clean and free from oil and grease.** Slippery handles and grasping surfaces do not allow for safe handling and control of the tool in unexpected situations.

5) Battery Tool Use and Care

- a) **Recharge only with the charger specified by the manufacturer.** A charger that is suitable for one type of battery pack may create a risk of fire when used with another battery pack.
- b) **Use power tools only with specifically designated battery packs.** Use of any other battery packs may create a risk of injury and fire.
- c) **When battery pack is not in use, keep it away from other metal objects, like paper clips, coins, keys, nails, screws or other small metal objects, that can make a connection from one terminal to another.** Shorting the battery terminals together may cause burns or a fire.
- d) **Under abusive conditions, liquid may be ejected from the battery; avoid contact. If contact accidentally occurs, flush with water. If liquid contacts eyes, additionally seek medical help.** Liquid ejected from the battery may cause irritation or burns.
- e) **Do not use a battery pack or tool that is damaged or modified.** Damaged or modified batteries may exhibit unpredictable behaviour resulting in fire, explosion or risk of injury.

- f) **Do not expose a battery pack or tool to fire or excessive temperature.** Exposure to fire or temperature above 130 °C may cause explosion.
- g) **Follow all charging instructions and do not charge the battery pack or tool outside the temperature range specified in the instructions.** Charging improperly or at temperatures outside the specified range may damage the battery and increase the risk of fire.

6) Service

- a) **Have your power tool serviced by a qualified repair person using only identical replacement parts.** This will ensure that the safety of the power tool is maintained.
- b) **Never service damaged battery packs.** Service of battery packs should only be performed by the manufacturer or authorized service providers.

Additional Specific Safety Rules for Impact Drivers

- **Hold power tool by insulated gripping surfaces when performing an operation where the fastener may contact hidden wiring.** Fasteners contacting a "live" wire may make exposed metal parts of the power tool "live" and could give the operator an electric shock.

Additional Specific Safety Rules for Impact Wrenches

- **Hold power tool by insulated gripping surfaces when performing an operation where the fastener may contact hidden wiring.** Fasteners contacting a "live" wire may make exposed metal parts of the power tool "live" and could give the operator an electric shock.
- **Use clamps or other practical way to secure and support the workpiece to a stable platform.** Holding the work by hand or against your body is unstable and may lead to loss of control.
- **Wear safety goggles or other eye protection. Hammering and drilling operations cause chips to fly.** Flying particles can cause permanent eye damage.
- **Accessories and tools get hot during operation.** Wear gloves when touching them.
- **Do not operate this tool for long periods of time.** Vibration caused by tool action may be harmful to your hands and arms. Use gloves to provide extra cushion and limit exposure by taking frequent rest periods.

Residual Risks

In spite of the application of the relevant safety regulations and the implementation of safety devices, certain residual risks cannot be avoided. These are:

- Impairment of hearing.
- Risk of personal injury due to flying particles.
- Risk of burns due to accessories becoming hot during operation.
- Risk of personal injury due to prolonged use.

SAVE THESE INSTRUCTIONS

Chargers

DEWALT chargers require no adjustment and are designed to be as easy as possible to operate.

Electrical Safety

The electric motor has been designed for one voltage only. Always check that the battery pack voltage corresponds to the voltage on the rating plate. Also make sure that the voltage of your charger corresponds to that of your mains.



Your DEWALT charger is double insulated in accordance with EN60335; therefore no earth wire is required.

If the supply cord is damaged, it must be replaced by a specially prepared cord available through the DEWALT service organisation.

Mains Plug Replacement (U.K. & Ireland Only)

If a new mains plug needs to be fitted:

- Safely dispose of the old plug.
- Connect the brown lead to the live terminal in the plug.
- Connect the blue lead to the neutral terminal.



WARNING: No connection is to be made to the earth terminal.

Follow the fitting instructions supplied with good quality plugs. Recommended fuse: 3 A.

Using an Extension Cable

An extension cord should not be used unless absolutely necessary. Use an approved extension cable suitable for the power input of your charger (see **Technical Data**). The minimum conductor size is 1 mm²; the maximum length is 30 m.

When using a cable reel, always unwind the cable completely.

Important Safety Instructions for All Battery Chargers

SAVE THESE INSTRUCTIONS: This manual contains important safety and operating instructions for compatible battery chargers (refer to **Technical Data**).

- Before using charger, read all instructions and cautionary markings on charger, battery pack, and product using battery pack.



WARNING: Shock hazard. Do not allow any liquid to get inside charger. Electric shock may result.



WARNING: We recommend the use of a residual current device with a residual current rating of 30mA or less.



CAUTION: Burn hazard. To reduce the risk of injury, charge only DEWALT rechargeable batteries. Other types of batteries may burst causing personal injury and damage.




CAUTION: Children should be supervised to ensure that they do not play with the appliance.

NOTICE: Under certain conditions, with the charger plugged into the power supply, the exposed charging contacts inside the charger can be shorted by foreign material. Foreign materials of a conductive nature such as,

but not limited to, steel wool, aluminum foil or any buildup of metallic particles should be kept away from charger cavities. Always unplug the charger from the power supply when there is no battery pack in the cavity. Unplug charger before attempting to clean

- **DO NOT attempt to charge the battery pack with any chargers other than the ones in this manual.** The charger and battery pack are specifically designed to work together.
- **These chargers are not intended for any uses other than charging DEWALT rechargeable batteries.** Any other uses may result in risk of fire, electric shock or electrocution.
- **Do not expose charger to rain or snow.**
- **Pull by plug rather than cord when disconnecting charger.** This will reduce risk of damage to electric plug and cord.
- **Make sure that cord is located so that it will not be stepped on, tripped over, or otherwise subjected to damage or stress.**
- **Do not use an extension cord unless it is absolutely necessary.** Use of improper extension cord could result in risk of fire, electric shock, or electrocution.
- **Do not place any object on top of charger or place the charger on a soft surface that might block the ventilation slots and result in excessive internal heat.** Place the charger in a position away from any heat source. The charger is ventilated through slots in the top and the bottom of the housing.
- **Do not operate charger with damaged cord or plug—** have them replaced immediately.
- **Do not operate charger if it has received a sharp blow, been dropped, or otherwise damaged in any way.** Take it to an authorised service centre.
- **Do not disassemble charger; take it to an authorised service centre when service or repair is required.** Incorrect reassembly may result in a risk of electric shock, electrocution or fire.
- **In case of damaged power supply cord the supply cord must be replaced immediately by the manufacturer, its service agent or similar qualified person to prevent any hazard.**
- **Disconnect the charger from the outlet before attempting any cleaning. This will reduce the risk of electric shock.** Removing the battery pack will not reduce this risk.
- **NEVER attempt to connect two chargers together.**
- **The charger is designed to operate on standard 230V household electrical power. Do not attempt to use it on any other voltage.** This does not apply to the vehicular charger.

Charging a Battery (Fig. B)

1. Plug the charger into an appropriate outlet before inserting battery pack.
2. Insert the battery pack  into the charger, making sure the battery pack is fully seated in the charger. The red (charging) light will blink repeatedly indicating that the charging process has started.

3. The completion of charge will be indicated by the red light remaining ON continuously. The battery pack is fully charged and may be used at this time or left in the charger. To remove the battery pack from the charger, push the battery release button **2** on the battery pack.

NOTE: To ensure maximum performance and life of lithium-ion battery packs, charge the battery pack fully before first use.

Charger Operation

Refer to the indicators below for the charge status of the battery pack.

Charge Indicators	
	Charging 
	Fully Charged 
	Hot/Cold Pack Delay* 

*The red light will continue to blink, but a yellow indicator light will be illuminated during this operation. Once the battery pack has reached an appropriate temperature, the yellow light will turn off and the charger will resume the charging procedure.

The compatible charger(s) will not charge a faulty battery pack. The charger will indicate faulty battery by refusing to light.

NOTE: This could also mean a problem with a charger.

If the charger indicates a problem, take the charger and battery pack to be tested at an authorised service centre.

Hot/Cold Pack Delay

When the charger detects a battery pack that is too hot or too cold, it automatically starts a Hot/Cold Pack Delay, suspending charging until the battery pack has reached an appropriate temperature. The charger then automatically switches to the pack charging mode. This feature ensures maximum battery pack life.

A cold battery pack will charge at a slower rate than a warm battery pack. The battery pack will charge at that slower rate throughout the entire charging cycle and will not return to maximum charge rate even if the battery pack warms.

Electronic Protection System

XR Li-Ion tools are designed with an Electronic Protection System that will protect the battery pack against overloading, overheating or deep discharge.

The tool will automatically turn off if the Electronic Protection System engages. If this occurs, place the lithium-ion battery pack on the charger until it is fully charged.

Wall Mounting

These chargers are designed to be wall mountable or to sit upright on a table or work surface. If wall mounting, locate the charger within reach of an electrical outlet, and away from a corner or other obstructions which may impede air flow. Use the back of the charger as a template for the location of the mounting screws on the wall. Mount the charger securely using drywall screws (purchased separately) at least 25.4 mm long with a screw head diameter of 7–9 mm, screwed into wood to an optimal depth leaving approximately 5.5 mm of the screw

exposed. Align the slots on the back of the charger with the exposed screws and fully engage them in the slots.

Charger Cleaning Instructions

WARNING: Shock hazard. Disconnect the charger from the AC outlet before cleaning. Dirt and grease may be removed from the exterior of the charger using a cloth or soft non-metallic brush. Do not use water or any cleaning solutions. Never let any liquid get inside the tool; never immerse any part of the tool into a liquid.

Battery Packs

Important Safety Instructions for All Battery Packs

When ordering replacement battery packs, be sure to include catalogue number and voltage.

The battery pack is not fully charged out of the carton. Before using the battery pack and charger, read the safety instructions below. Then follow charging procedures outlined.

READ ALL INSTRUCTIONS

- **Do not charge or use battery in explosive atmospheres, such as in the presence of flammable liquids, gases or dust.** Inserting or removing the battery from the charger may ignite the dust or fumes.
- **Never force battery pack into charger. Do not modify battery pack in any way to fit into a non-compatible charger as battery pack may rupture causing serious personal injury.**
 - Charge the battery packs only in DeWALT chargers.
 - **DO NOT** splash or immerse in water or other liquids.
 - **Do not store or use the tool and battery pack in locations where the temperature may reach or exceed 40 °C (104 °F) (such as outside sheds or metal buildings in summer).**
 - **Do not incinerate the battery pack even if it is severely damaged or is completely worn out.** The battery pack can explode in a fire. Toxic fumes and materials are created when lithium-ion battery packs are burned.
 - **If battery contents come into contact with the skin, immediately wash area with mild soap and water.** If battery liquid gets into the eye, rinse water over the open eye for 15 minutes or until irritation ceases. If medical attention is needed, the battery electrolyte is composed of a mixture of liquid organic carbonates and lithium salts.
 - **Contents of opened battery cells may cause respiratory irritation.** Provide fresh air. If symptoms persists, seek medical attention.

WARNING: Burn hazard. Battery liquid may be flammable if exposed to spark or flame.

WARNING: Never attempt to open the battery pack for any reason. If battery pack case is cracked or damaged, do not insert into charger. Do not crush, drop or damage battery pack. Do not use a battery pack or charger that has received a sharp blow, been dropped, run over or damaged in any way (i.e., pierced with a nail, hit with

a hammer, stepped on). Electric shock or electrocution may result. Damaged battery packs should be returned to service centre for recycling.



WARNING: Fire hazard. Do not store or carry the battery pack so that metal objects can contact exposed battery terminals. For example, do not place the battery pack in aprons, pockets, tool boxes, product kit boxes, drawers, etc., with loose nails, screws, keys, etc.



CAUTION: When not in use, place tool on its side on a stable surface where it will not cause a tripping or falling hazard. Some tools with large battery packs will stand upright on the battery pack but may be easily knocked over.

Transportation



WARNING: Fire hazard. Transporting batteries can possibly cause fire if the battery terminals inadvertently come in contact with conductive materials. When transporting batteries, make sure that the battery terminals are protected and well insulated from materials that could contact them and cause a short circuit.

NOTE: Lithium-ion batteries should not be put in checked baggage.

DeWALT batteries comply with all applicable shipping regulations as prescribed by industry and legal standards which include UN Recommendations on the Transport of Dangerous Goods; International Air Transport Association (IATA) Dangerous Goods Regulations, International Maritime Dangerous Goods (IMDG) Regulations, and the European Agreement Concerning The International Carriage of Dangerous Goods by Road (ADR). Lithium-ion cells and batteries have been tested to section 38.3 of the UN Recommendations on the Transport of Dangerous Goods Manual of Tests and Criteria.

In most instances, shipping a DeWALT battery pack will be excepted from being classified as a fully regulated Class 9 Hazardous Material. In general, only shipments containing a lithium-ion battery with an energy rating greater than 100 Watt Hours (Wh) will require being shipped as fully regulated Class 9. All lithium-ion batteries have the Watt Hour rating marked on the pack. Furthermore, due to regulation complexities, DeWALT does not recommend air shipping lithium-ion battery packs alone regardless of Watt Hour rating. Shipments of tools with batteries (combo kits) can be air shipped as excepted if the Watt Hour rating of the battery pack is no greater than 100 Whr.

Regardless of whether a shipment is considered excepted or fully regulated, it is the shipper's responsibility to consult the latest regulations for packaging, labeling/marketing and documentation requirements.

The information provided in this section of the manual is provided in good faith and believed to be accurate at the time the document was created. However, no warranty, expressed or implied, is given. It is the buyer's responsibility to ensure that its activities comply with the applicable regulations.

Storage Recommendations

1. The best storage place is one that is cool and dry away from direct sunlight and excess heat or cold. For optimum

battery performance and life, store battery packs at room temperature when not in use.

2. For long storage, it is recommended to store a fully charged battery pack in a cool, dry place out of the charger for optimal results.

NOTE: Battery packs should not be stored completely depleted of charge. The battery pack will need to be recharged before use.

Labels on Charger and Battery Pack

In addition to the pictographs used in this manual, the labels on the charger and the battery pack may show the following pictographs:



Read instruction manual before use.



See **Technical Data** for charging time.



Do not probe with conductive objects.



Do not charge damaged battery packs.



Do not expose to water.



Have defective cords replaced immediately.



Charge only between 4 °C and 40 °C.



Only for indoor use.



Discard the battery pack with due care for the environment.



Charge DeWALT battery packs only with designated DeWALT chargers. Charging battery packs other than the designated DeWALT batteries with a DeWALT charger may make them burst or lead to other dangerous situations.



Do not incinerate the battery pack.

Battery Type

The DCF801 and DCF902 operate on a 12 volt battery pack.

These battery packs may be used: DCB122, DCB123, DCB124, DCB125, DCB127. Refer to **Technical Data** for more information.

Package Contents

The package contains:

- 1 Impact driver (DCF801)
or
- 1 Impact wrench (DCF902)

- 1 Charger
- 1 Belt hook (included with some models)
- 1 Kitbox (included with some models)
- 1 Li-Ion battery pack (C1, D1, L1, M1, P1, S1, T1, X1, Y1 models)
- 2 Li-Ion battery packs (C2, D2, L2, M2, P2, S2, T2, X2, Y2 models)
- 3 Li-Ion battery packs (C3, D3, L3, M3, P3, S3, T3, X3, Y3 models)
- 1 Instruction manual

NOTE: Battery packs, chargers and kitboxes are not included with N models. Battery packs and chargers are not included with NT models.

NOTE: Trademarks and trade names are those of their respective owners.

- Check for damage to the tool, parts or accessories which may have occurred during transport.
- Take the time to thoroughly read and understand this manual prior to operation.

Markings on Tool

The following pictograms are shown on the tool:



Read instruction manual before use.



Wear ear protection.



Wear eye protection.



Visible radiation. Do not stare into light.

Date Code Position (Fig. A)

The date code **12**, which also includes the year of manufacture, is printed into the housing.

Example:

2019 XX XX
Year of Manufacture

Description (Fig. A)



WARNING: Never modify the power tool or any part of it. Damage or personal injury could result.

- 1 Battery pack
- 2 Battery release button
- 3 Variable speed trigger switch
- 4 Forward/reverse control button
- 5 Chuck collar (DCF801)
- 6 6.35 mm hex quick-release chuck (DCF801)
- 7 Worklights
- 8 Main handle
- 9 Mode select button
- 10 3/8"/9.5 mm Anvil (DCF902)
- 11 Hog ring (DCF902)

Intended Use

This impactor is designed for professional impact screwdriving applications. The impact function makes this tool particularly useful for driving fasteners in wood, metal and concrete.

DO NOT use under wet conditions or in the presence of flammable liquids or gases.

This impactor is a professional power tool.

DO NOT let children come into contact with the tool.

Supervision is required when inexperienced operators use this tool.

- **Young children and the infirm.** This appliance is not intended for use by young children or infirm persons without supervision.
- This product is not intended for use by persons (including children) suffering from diminished physical, sensory or mental abilities; lack of experience, knowledge or skills unless they are supervised by a person responsible for their safety. Children should never be left alone with this product.

ASSEMBLY AND ADJUSTMENTS



WARNING: To reduce the risk of serious personal injury, turn tool off and disconnect battery pack before making any adjustments or removing/installing attachments or accessories. An accidental start-up can cause injury.



WARNING: Use only DEWALT battery packs and chargers.

Inserting and Removing the Battery Pack from the Tool (Fig. B)

NOTE: Make sure your battery pack **1** is fully charged.

To Install the Battery Pack into the Tool Handle

1. Align the battery pack **1** with the rails inside the tool's handle (Fig. B).
2. Slide it into the handle until the battery pack is firmly seated in the tool and ensure that you hear the lock snap into place.

To Remove the Battery Pack from the Tool

1. Press the release button **2** and firmly pull the battery pack out of the tool handle.
2. Insert battery pack into the charger as described in the charger section of this manual.

Fuel Gauge Battery Packs (Fig. B)

Some DEWALT battery packs include a fuel gauge which consists of three green LED lights that indicate the level of charge remaining in the battery pack.

To actuate the fuel gauge, press and hold the fuel gauge button **13**. A combination of the three green LED lights will illuminate designating the level of charge left. When the level of charge in the battery is below the usable limit, the fuel gauge will not illuminate and the battery will need to be recharged.

NOTE: The fuel gauge is only an indication of the charge left on the battery pack. It does not indicate tool functionality and is subject to variation based on product components, temperature and end-user application.

Belt Hook (Fig. C)

Included with Some Models

WARNING: To reduce the risk of serious personal injury, **DO NOT** suspend tool overhead or suspend objects from the belt hook. **ONLY** hang tool's belt hook from a work belt.

WARNING: To reduce the risk of serious personal injury, ensure the screw holding the belt hook is secure.

IMPORTANT: When attaching or replacing a belt hook, use only the screw that is provided. Be sure to securely tighten the screw. A belt hook **14** can be attached to either side of the tool using only the screw **15** provided, to accommodate left- or right-handed users. If the belt hook is not desired at all, it can be removed from the tool.

To move the belt hook, remove the screw **15** that holds it in place then reassemble on the opposite side. Be sure to securely tighten the screw.

OPERATION

Instructions for Use

WARNING: Always observe the safety instructions and applicable regulations.

WARNING: To reduce the risk of serious personal injury, **turn tool off and disconnect battery pack before making any adjustments or removing/installing attachments or accessories.** An accidental start-up can cause injury.

Proper Hand Position (Fig. D)

WARNING: To reduce the risk of serious personal injury, **ALWAYS** use proper hand position as shown.

WARNING: To reduce the risk of serious personal injury, **ALWAYS** hold securely in anticipation of a sudden reaction.

Proper hand position requires one hand on the main handle **8**

Variable Speed Trigger Switch (Fig. A)

To turn the tool on, squeeze the trigger switch **3**. To turn the tool off, release the trigger switch. Your tool is equipped with a brake. The chuck will stop when the trigger switch is fully released.

The variable speed switch enables you to start the application at a slow speed. The further you squeeze the trigger, the faster the tool will operate. For maximum tool life, use variable speed only for starting holes or fasteners.

NOTE: Continuous use in variable speed range is not recommended. It may damage the switch and should be avoided.

Forward/Reverse Control Button (Fig. A)

A forward/reverse control button **4** determines the direction of the tool and also serves as a lock-off button.

To select forward rotation, release the trigger switch and depress the forward/reverse control button on the right side of the tool.

To select reverse, depress the forward/reverse control button on the left side of the tool. The centre position of the control button locks the tool in the off position. When changing the position of the control button, be sure the trigger is released.

NOTE: The first time the tool is run after changing the direction of rotation, you may hear a click on start up. This is normal and does not indicate a problem.

Worklights (Fig. E)

There are three worklights **7** located around the 6.35 mm hex chuck **6** or anvil **10**. The worklights are activated when the trigger switch is depressed.

When the trigger is released, the worklight will stay illuminated for up to 20 seconds. If the trigger switch remains depressed, the worklights will remain on.

NOTE: The worklights are for lighting the immediate work surface and are not intended to be used as a flashlight.

Mode Selector (Fig. A)

Your tool is equipped with a mode select button **9** which allows you to select one of three modes. Select the mode based on the application and control the speed of the tool using the variable speed trigger switch **3**.

Precision Drive™ (Fig. A)

DCF801

In addition to normal impacting modes, this tool features the Precision Drive™ mode which enables greater control in lighter applications to avoid damage to materials or fasteners. It is ideal for light applications such as cabinet hinge screws or machine screws. Precision Drive™ mode will work as a screwdriver in light applications, before hesitating as the screw head reaches the work piece, and then (if required) start a slow controlled impact to ensure the head ends perfectly flush.

NOTE: This mode is for light duty screwdriving applications. If the tool will not drive a fastener in Precision Drive™ Mode, please select Lo Mode which will give the additional power required.

DCF801	
Precision Drive™ mode	Precision Drive™
Lo Mode	Low speed impacting
Hi Mode	High Speed Impacting

Precision Wrench™ (Fig. A)

DCF902

In addition to low speed impacting modes, this tool features the Precision Wrench™ mode which grants the user greater control in both fastening and loosening applications. When set in forward, the tool will fasten until impacting begins. The tool will then pause for 0.5 seconds before continuing to impact, providing the user with greater control and reducing the chance of overtightening or damaging material.

When set in reverse, the tool will impact at a normal speed. Upon sensing that the fastener has broken free, the tool will cease to impact and will reduce speed to help prevent "run-off" of loose hardware.

DCF902

Precision Wrench™ Mode	Precision Wrench™
Lo Mode	Low Speed Impacting
Hi Mode	High Speed Impacting

Quick-Release Chuck (Fig. F)

DCF801

WARNING: Use only impact accessories. Non-impact accessories may break and cause a hazardous condition. Inspect accessory prior to use to ensure that it contains no cracks.

NOTE: The chuck accepts 6.35 mm hex bit tips only. Using 25 mm bits allows better access in tight spaces.

Place the forward/reverse button **4** in the locked off (centre) position or remove battery pack before changing accessories.

To install an accessory, push accessory to fully insert into chuck **6**. The chuck collar **5** does not need to be pulled up to lock accessory in place.

To remove an accessory, pull the chuck collar away from the front of the tool. Remove the accessory and release the collar.

Anvil With Hog Ring (Fig. G)

DCF902

WARNING: Use only impact accessories. Non-impact accessories may break and cause a hazardous condition. Inspect accessory prior to use to ensure that it contains no cracks.

CAUTION: Inspect anvils, detent pins, and hog rings prior to use. Missing or damaged items should be replaced before use.

Place the forward/reverse button **4** in the locked off (centre) position or remove battery pack before changing accessories.

To install an accessory on the hog ring anvil, firmly push accessory onto the anvil **10**. The hog ring **11** compresses to allow the accessory to slide on. After accessory is installed, the hog ring applies pressure to help provide accessory retention.

To remove an accessory, grasp the accessory and firmly pull it off.

Usage

Your impact tool generates the following maximum torque:

Cat #	Nm	Ft.-Lbs.	In.-Lbs
DCF801	163	120.8	1450
DCF902	168	125	1500

CAUTION: Ensure fastener and/or system will withstand the level of torque generated by the tool. Excessive torque may cause breakage and possible personal injury.

- Place the accessory on the fastener head. Keep the tool pointed straight at the fastener.
- Press switch to start operation. Release the switch to stop operation. Always check torque with a torque wrench, as the fastening torque is affected by many factors including the following:

- Voltage:** Low voltage, due to a nearly discharged battery, will reduce fastening torque.
- Accessory size:** Failure to use the correct accessory size will cause a reduction in fastening torque.
- Bolt Size:** Larger bolt diameters generally require higher fastening torque. Fastening torque will also vary according to length, grade, and torque coefficient.
- Bolt:** Ensure that all threads are free of rust and other debris to allow proper fastening torque.
- Material:** The type of material and surface finish of the material will affect fastening torque.
- Fastening Time:** Longer fastening time results in increased fastening torque. Using a longer fastening time than recommended could cause the fasteners to be overstressed, stripped or damaged.

MAINTENANCE

Your DEWALT power tool has been designed to operate over a long period of time with a minimum of maintenance. Continuous satisfactory operation depends upon proper tool care and regular cleaning.

WARNING: To reduce the risk of serious personal injury, turn tool off and disconnect battery pack before making any adjustments or removing/installing attachments or accessories. An accidental start-up can cause injury.

The charger and battery pack are not serviceable.



Lubrication

Your power tool requires no additional lubrication.



Cleaning

WARNING: Blow dirt and dust out of the main housing with dry air as often as dirt is seen collecting in and around the air vents. Wear approved eye protection and approved dust mask when performing this procedure.

WARNING: Never use solvents or other harsh chemicals for cleaning the non-metallic parts of the tool. These chemicals may weaken the materials used in these parts. Use a cloth dampened only with water and mild soap. Never let any liquid get inside the tool; never immerse any part of the tool into a liquid.

Optional Accessories

WARNING: Since accessories, other than those offered by DEWALT, have not been tested with this product, use of such accessories with this tool could be hazardous. To reduce the risk of injury, only DEWALT recommended accessories should be used with this product.

Consult your dealer for further information on the appropriate accessories.

Protecting the Environment



Separate collection. Products and batteries marked with this symbol must not be disposed of with normal household waste.

■ Products and batteries contain materials that can be recovered or recycled reducing the demand for raw materials. Please recycle electrical products and batteries according to local provisions. Further information is available at www.2helpU.com.

Rechargeable Battery Pack

This long life battery pack must be recharged when it fails to produce sufficient power on jobs which were easily done before. At the end of its technical life, discard it with due care for our environment:

- Run the battery pack down completely, then remove it from the tool.
- Li-Ion cells are recyclable. Take them to your dealer or a local recycling station. The collected battery packs will be recycled or disposed of properly.

СУБКОМПАКТНИЙ УДАРНИЙ ШУРУПОКРУТ DCF801

СУБКОМПАКТНИЙ УДАРНИЙ ГАЙКОКРУТ DCF902

Вітаємо вас!

Ви обрали інструмент DEWALT. Великий досвід компанії у розробці інструментів та постійна робота над їх вдосконаленням роблять компанію DEWALT надійним партнером професійних користувачів.

Технічні характеристики

		DCF801	DCF902
Напруга	V _{пост. струму}	12	12
Тип		1	1
Тип акумулятора		Літій-іонна	Літій-іонна
Вихідна потужність	Вт	200	200
Швидкість без навантаження			
Режим точного приводу	хв ⁻¹	0–950	0–2850
Режим низької швидкості	хв ⁻¹	0–1950	0–1000
Режим високої швидкості	хв ⁻¹	0–2850	0–2850
Швидкість при ударному навантаженні	хв ⁻¹	0–3600	0–3600
Макс. крутний момент	Н·м	163	168
Тримач насадок	мм	6,35	3/8" / 9,5
Маса (без акумулятора)	кг	0,8	0,8

Значення рівня шуму та вібрації (триаксильна векторна сума) відповідно до стандарту EN62841-2-2:

L _{PA} (рівень тиску звукового випромінювання)	дБ(A)	90	90
L _{WA} (рівень звукового тиску)	дБ(A)	101	101
K (похибка для даного рівня звукового тиску)	дБ(A)	3	3
Значення вібрації ah =	м/с ²	6,7	7,8
Похибка K =	м/с ²	1,5	1,8

Значення вібрації, що наведено в цьому документі, було виміряне згідно зі стандартизованим тестом, викладеним в EN62841, та може використовуватись для порівняння інструментів. Це значення вібрації можна також використовувати для попередньої оцінки впливу вібрації.

⚠ ОБЕРЕЖНО! *Задеклароване значення вібрації відповідає значенням затягування кріпильних елементів при використанні інструмента ударної дії з максимальною потужністю. Однак якщо інструмент використовується для виконання інших завдань, з іншими витратними матеріалами/насадками або не обслуговується відповідно до вимог, значення вібрації може відрізнитися. Це може значно збільшити рівень впливу протягом усього періоду роботи.*

Оцінка рівня впливу вібрації має враховувати час вимкнень інструмента та роботу інструмента без виконання певних завдань. Це може значно зменшити рівень впливу протягом усього періоду роботи.

Визначення додаткових заходів безпеки для захисту оператора від впливу вібрації; технічне обслуговування інструмента та приладдя, утримання рук у теплі, організація режиму роботи.

Декларація про відповідність ЄС ДИРЕКТИВА ДЛЯ МЕХАНІЧНОГО ОБЛАДНАННЯ



Субкомпактний ударний шурупокрут DCF801

Субкомпактний ударний гайкокрот DCF902

Компанія DEWALT заявляє, що продукція, наведена у розділі **Технічні дані**, відповідає вимогам: 2006/42/EC, EN62841-1:2015, EN62841-2-2:2014.

Ці продукти також відповідають вимогам Директив 2014/30/EU та 2011/65/EU. Для отримання додаткової інформації зверніться до компанії DEWALT за наступною адресою або прочитайте інформацію на зворотній стороні цього посібника.

Нижчепідписаний несе відповідальність за упорядкування файлу технічних характеристик та робить цю заяву від імені компанії DEWALT.

Маркус Ромпель (Markus Rompel)
технічний директор, PTE-Europa
DEWALT, Richard-Klinger-Straße 11,
D-65510, Idstein, Німеччина
21.01.2019



ОБЕРЕЖНО! *Уважно прочитайте керівництво з експлуатації для зниження ризику отримання травм.*

Позначення: інструкції з техніки безпеки

Умовні позначення, що наведені нижче, описують рівень важливості кожної попереджувальної вказівки. Прочитайте посібник та зверніть увагу на символи, наведені нижче.

Батареї				Зарядні пристрої/час зарядки (у хвиликах)							
Кат. №	V _{oc}	Ампер-годин	Маса кг	DCB104	DCB107	DCB112	DCB113	DCB115	DCB118	DCB132	DCB119
DCB122	12	2,0	0,22	30	90	60	50	30	X	30	60
DCB124	12	3,0	0,25	45	140	90	70	45	45	45	90
DCB125	12	1,3	0,20	22	60	40	30	22	X	22	40
DCB127	12	2,0	0,20	30	90	60	50	30	X	30	60



НЕБЕЗПЕЧНО! Вказує на безпосередню загрозу, яка, якщо її не уникнути, **приведе до смерті або серйозної травми.**



ОБЕРЕЖНО! Вказує на потенційну загрозу, яка, якщо її не уникнути, **може призвести до смерті або серйозної травми.**



УВАГА! Вказує на потенційну загрозу, яка, якщо її не уникнути, **може призвести до травми незначної або середньої важкості.**

ПРИМІТКА: вказує на ситуацію, **не пов'язану з особистою травмою**, яка, якщо її не уникнути, **може призвести до пошкодження майна.**



Вказує на ризик ураження електричним струмом.



Вказує на ризик виникнення пожежі.

ЗАГАЛЬНІ ПРАВИЛА БЕЗПЕКИ ПРИ ЕКСПЛУАТАЦІЇ ЕЛЕКТРИЧНОГО ІНСТРУМЕНТА



ОБЕРЕЖНО! Ознайомтесь з повним переліком попереджень та інструкцій з техніки безпеки, а також зображеннями та специфікаціями з експлуатації даного електричного інструмента. Невиконання нижченаведених інструкцій може призвести до ураження електричним струмом, пожежі та/або серйозних травм.

ЗБЕРЕЖІТЬ УСІ ПОПЕРЕДЖЕННЯ ТА ІНСТРУКЦІЇ ДЛЯ ВИКОРИСТАННЯ В МАЙБУТЬОМУ

Термін «електричний інструмент» в усіх попередженнях стосується використовуваних вами інструментів, що працюють від мережі енергоспоживання (з використанням електричного кабелю) або акумуляторів (без кабелю).

1) Безпека робочої зони

- Тримайте робочу зону чистою та добре освітленою.** Неупорядковані та темні робочі зони збільшують ймовірність нещасного випадку.
- Не використовуйте електричні інструменти у вибухонебезпечній атмосфері, наприклад поруч із вогненебезпечними рідинами, газами та пилом.** Електричні інструменти створюють іскри, що можуть запалити пил або випаровування.
- Тримайте дітей та сторонніх подалі під час використання інструмента.** Відвернення уваги може призвести до втрати контролю.

2) Електрична безпека

- Вилка електричного інструмента повинна відповідати розетці. Ніколи жодним чином не змінюйте вилку. Не використовуйте адаптери із заземленими електричними інструментами.** Немодифіковані вилки та розетки, що підходять до них, зменшують ризик ураження електричним струмом.
- Уникайте контакту тіла з заземленими поверхнями, такими як труби, радіатори, плити та холодильники.** Якщо ваше тіло заземлене, збільшується ризик ураження електричним струмом.
- Не залишайте електричні інструменти під дощем або в умовах підвищеної вологості.** Вода, що потрапляє в електричний інструмент, підвищує ризик ураження електричним струмом.
- Не використовуйте кабель живлення не за призначенням. Ніколи не використовуйте шнур для перенесення, витягування та відключення розетки живлення електричного інструмента.** Тримайте шнур подалі від високих температур, мастила, гострих предметів та рухомих деталей. Пошкоджені або перекручені шнури підвищують ризик ураження електричним струмом.
- При використанні електричного інструмента на вулиці, використовуйте подовжувальний шнур, що підходить для використання на вулиці.** Шнур, що призначений для використання поза приміщенням, знижує ризик ураження електричним струмом.
- Якщо неможливо уникнути використання електричного інструмента в умовах підвищеної вологості, використовуйте живлення, захищене пристроєм з керуванням диференційним струмом (Residual current device, RCD).** Використання RCD знижує ризик ураження електричним струмом.

3) Особиста безпека

- Будьте в стані готовності, дивіться, що ви робите, та будьте розсудливі, працюючи з електричним інструментом. Не використовуйте електричний інструмент, коли ви втомлені або знаходитеся під впливом наркотичних речовин, алкоголю або ліків.** Втрата уваги під час роботи з електричним

інструментами може призвести до серйозних травм.

- b) **Використовуйте особисті засоби безпеки. Завжди використовуйте засоби захисту очей.** Засоби безпеки, такі як протипилова маска, неслизькі безпечні черевики, захисний шолом та засоби захисту слухового апарату при використанні для відповідних умов зменшують імовірність особистих травм.
- c) **Уникнення випадкового запуску. Переконайтесь в тому, що вимикач знаходиться в позиції Вимк. перед підключенням до джерела живлення та/або акумулятора, переміщенням або перенесенням пристрою.** Може статися нещасний випадок, коли ви переносите інструмент, тримаючи палець на вимикачі, або підключаєте живлення до вимикача в позиції Увімк.
- d) **Зніміть усі ключі для налаштування або гайкові ключі перед тим, як вмикати електричний інструмент.** Гайковий ключ, що залишився прикріпленим до якоїсь деталі електричного пристрою, що обертається, може призвести до травм.
- e) **Не перенапружуйтесь. Завжди утримуйте правильну постановку ніг і рівновагу.** Це дає вам змогу краще контролювати інструмент в неочікуваних ситуаціях.
- f) **Одягайтеся відповідним чином. Не вдягайте вільний одяг або прикраси. Тримайте ваше волосся та одяг подалі від рухомих деталей.** Вільний одяг, прикраси або довге волосся може зачепитися за рухомі деталі.
- g) **Якщо передбачені пристрої для підключення до засобів виділення та збирання пилу, переконайтесь, що вони правильно підключені та використовуються.** Використання таких пристроїв зменшує ризик виникнення небезпечних ситуацій, що пов'язані з потраплянням пилу.
- h) **Навіть якщо ви добре знаєте інструмент та часто його використовуєте, не розслабляйтесь та не забувайте про принципи техніки безпеки.** Необережні дії за долю секунди можуть стати причиною важких травм.

4) Використання електричного інструмента та догляд за ним

- a) **Не використовуйте надмірні зусилля під час роботи з інструментом. Використовуйте відповідний електричний інструмент для вашого застосування.** Правильно обраний інструмент виконає завдання краще та безпечніше за умов, для яких він був розроблений.
- b) **Не використовуйте інструмент, вмикач якого не вмикає та не вимикає його.** Будь-який електричний інструмент, який не може управлятися вмикачем, є небезпечним і має бути відремонтований.
- c) **Якщо вилка знімна, відключіть її від джерела живлення перед тим, як робити будь-які**

налаштування, зміни додаткового обладнання чи зберігати інструмент. Ці профілактичні заходи зменшують ризик випадкового запуску електричного інструмента.

- d) **Зберігайте вимкнені електричні інструменти в недоступному для дітей місці та не дозволяйте особам, що не знайомі з електричним інструментом або цими інструкціями використовувати електричний інструмент.** Електричні інструменти є небезпечними, якщо вони використовуються некваліфікованими користувачами.
 - e) **Здійснюйте технічне обслуговування електричних інструментів та аксесуарів. Перевіряйте на відсутність вирівнювання або заїдання рухомих деталей, ушкоджених частин та інших умов, що можуть впливати на роботу електричного інструмента.** Якщо є ушкодження, відремонтуйте електричний інструмент перед використанням. Багато нещасних випадків є результатом того, що інструмент не пройшов відповідного технічного обслуговування.
 - f) **Тримайте різальні інструменти гострими та чистими.** Правильно доглянуті різальні інструменти з гострими різальними кромками мають меншу ймовірність заїдання, та ними легше керувати.
 - g) **Використовуйте електричний інструмент, додаткові інструменти та деталі інструменту тощо у відповідності до цих інструкцій та відповідно до даного типу електричних інструментів, зважаючи на умови використання та роботу, яка має бути виконана.** Використання електричних інструментів не за призначенням може призвести до виникнення небезпечних ситуацій.
 - h) **Всі ручки та поверхні для тримання інструменту повинні бути сухими та без залишків мастила.** Слизькі ручки та поверхні для тримання не дають можливості безпечно працювати та контролювати інструмент у неочікуваних ситуаціях.
- #### 5) Використання та догляд за інструментом, що працює від акумулятора
- a) **Заряджайте інструмент лише за допомогою зарядного пристрою, що вказаний виробником.** Зарядний пристрій, що може використовуватись з одним типом акумуляторів, може призвести до пожежі, коли використовується з іншим акумулятором.
 - b) **Використовуйте електричні інструменти лише зі спеціально розробленим акумулятором.** Використання інших акумуляторів може призвести до травм або пожежі.
 - c) **Коли акумулятори не використовуються, зберігайте їх подалі від таких металевих предметів, як скріпки, монети, ключі, цвяхи,**

гвинти або інші невеликі предмети, що можуть призвести до замикання двох контактів.

Зімкнення клем акумулятора може призвести до вибуху або пожежі.

- d) **За невідповідних умов використання рідина може витекти з акумулятора; уникайте контакту з цією рідиною. Якщо стався випадковий контакт, промийте відповідне місце водою. Якщо рідина потрапила в очі, необхідно звернутися до лікаря.** Рідина, що витікає з акумулятора, може призвести до подразнень та опіків.
- e) **Не використовуйте акумулятор або інструмент, який пошкоджено або змінено.** Пошкоджені або змінені акумулятори можуть поводити себе непередбачуваним чином, що може спричинити пожежу, вибух або ризик травми.
- f) **Не надавайте акумулятор або інструмент впливу вогню або надмірних температур.** Вплив вогню або температури вище 130 °C може спричинити вибух.
- g) **Виконуйте всі інструкції щодо зарядки та не заряджайте акумулятор або інструмент за межами температурного діапазону, вказаного в інструкціях.** Зарядка невідповідним чином або за температури поза вказаним діапазоном може пошкодити акумулятор та підвищити ризик пожежі.

6) Обслуговування

- a) **Надавайте ваш електричний інструмент для обслуговування кваліфікованим спеціалістом з ремонту та використовуйте тільки ідентичні замінні деталі.** Це забезпечить безпеку електричного пристрою, що обслуговується.
- b) **Ніколи не обслуговуйте пошкоджені акумулятори самостійно.** Обслуговування акумуляторів мають виконувати представники виробника або працівники офіційного сервісного центру.

Додаткові спеціальні правила техніки безпеки під час використання ударного шурупокрута

- **Під час виконання операції, коли кріплення може контактувати зі схованою електропроводкою, тримайте електроінструмент на ізольованій поверхні.** Контакт кріпильних елементів з проводкою під напругою може призвести до появи напруги в інструменті та ураження оператора електричним струмом.

Додаткові спеціальні правила безпеки для ударних гайкокрутів

- **Під час виконання операції, коли кріплення може контактувати зі схованою електропроводкою, тримайте електроінструмент на ізольованій поверхні.** Контакт кріпильних елементів з проводкою

під напругою може призвести до появи напруги в інструменті та ураження оператора електричним струмом.

- **Використовуйте затискач або інший спосіб закріплення заготовки на стабільній платформі.** Утримування заготовки в руці та притискання її до тіла робить її нестабільною та може призвести до втрати контролю.
- **Використовуйте захисні окуляри або інші засоби захисту очей. Під час використання свердління та свердління з ударом може відлітати стружка.** Частинки, що розлітаються, можуть спричинити незворотне пошкодження очей.
- **Насадки й інструменти сильно нагріваються у процесі роботи.** Вдягайте рукавиці, якщо потрібно їх торкатися.
- **Не використовуйте інструмент тривалий час.** Вібрація, спричинена інструментом, може бути шкідливою для ваших рук. Використовуйте рукавиці для захисту та обмежуйте вплив вібрації, роблячи часті перерви.

Залишкові ризики

Дотримання всіх правил техніки безпеки та застосування пристроїв безпеки не гарантує уникнення певних залишкових ризиків. До такого переліку належать:

- *Порушення слуху.*
- *Ризик травм через з частинки, які летять.*
- *Ризик опіків через нагрівання приладдя під час роботи.*
- *Ризик травм через занадто тривале використання.*

ЗБЕРЕЖІТЬ ЦІ ІНСТРУКЦІЇ

Зарядні пристрої

Зарядні пристрої DEWALT не вимагають налаштувань і розроблені для максимально простого використання.

Електрична безпека

Електричний двигун розроблений для роботи лише з одним значенням напруги. Завжди перевіряйте, що напруга акумулятора відповідає напрузі, що вказана в технічних даних. Також переконайтесь, що напруга зарядного пристрою відповідає напрузі мережі живлення.



Ваш зарядний пристрій виробництва компанії DEWALT має подвійну ізоляцію відповідно до EN60335; тому заземлення не є необхідним.

Якщо кабель живлення пошкоджений, його необхідно замінити на спеціальний кабель, який доступний через офіційні сервісні центри DEWALT.

Заміна мережевої вилки (тільки для Великої Британії та Ірландії)

Якщо нові шнури живлення мають бути прилаштовані:

- *Зніміть стару вилку та утилізуйте її, дотримуючись правил техніки безпеки.*
- *Приєднайте коричневий провідник до активного виходу вилки.*

- Приєднайте блакитний провідник до нейтрального виходу.



ОБЕРЕЖНО! Жодний провідник не повинен бути підключений до клеми заземлення.

Дотримуйтесь інструкцій щодо налаштування, що постачаються з якісними вилками. Плавкий запобіжник, що рекомендується: 3 А.

Використання електричного подовжувача

Використовуйте подовжувальний шнур лише за абсолютної необхідності. Використовуйте лише рекомендований подовжувальний шнур, що відповідає споживаній потужності вашого зарядного пристрою (див. **Технічні дані**). Мінімальний розмір провідника становить 1 мм²; максимальна довжина — 30 м.

При використанні кабельного барабану завжди витягуйте весь кабель.

Важливі інструкції з техніки безпеки для всіх зарядних пристроїв

ЗБЕРЕЖІТЬ ЦІ ІНСТРУКЦІЇ. У цьому керівництві містяться важливі інструкції з техніки безпеки та використання для сумісних зарядних пристроїв (див. **Технічні дані**).

- *Перед використанням зарядного пристрою прочитайте всі інструкції та попередження на зарядному пристрої, акумуляторах та продукті, для якого ці акумулятори використовуються.*



ОБЕРЕЖНО! Небезпека ураження електричним струмом. Не дозволяйте рідині потрапити в зарядний пристрій. Це може призвести до ураження електричним струмом.



ОБЕРЕЖНО! Ми рекомендуємо використовувати пристрій залишкового струму із залишковим струмом 30 мА або менше.



УВАГА! Небезпека опіку. Для зниження ризику виникнення травм заряджайте лише акумулятори DeWALT. Інші типи акумуляторів можуть вибухнути, спричиняючи травми та пошкодження майна.



УВАГА! Уважно слідкуйте за тим, щоб діти не гралася з пристроєм.

ПРИМІТКА: за певних умов, коли зарядний пристрій підключений до мережі живлення, незахищені контакти всередині зарядного пристрою можуть замкнутися будь-яким стороннім предметом. Сторонні предмети, що проводять струм, наприклад, металева стружка, алюмінієва фольга або будь-які металеві деталі необхідно зберігати подалі від зарядного пристрою. Завжди відключайте зарядний пристрій від розетки, коли батарея не встановлена в зарядний пристрій. Відключіть зарядний пристрій від мережі живлення перед його очищенням

- **НЕ намагайтесь заряджати акумулятор зарядними пристроями, що не вказані у цьому посібнику.** Зарядний пристрій та акумулятори даної моделі розроблені для сумісної експлуатації.

- **Дані зарядні пристрої не призначені для зарядки акумуляторів інших типів, крім моделей типу DeWALT.** Використання інших моделей зарядки здатні призвести до виникнення пожежі або ураження електричним струмом.
- **Не піддавайте зарядний пристрій впливу дощу або снігу.**
- **При відключенні зарядного пристрою від мережі живлення тягніть за вилку, а не за кабель.** Це зменшить ризик пошкодження вилки та кабелю.
- **Переконайтесь, що кабель розміщений так, щоб на нього не наступати, не ходити по ньому та не піддавати його іншому фізичному впливу.**
- **Не використовуйте подовжувальний шнур за винятком випадків, коли це абсолютно необхідно.** Використання невідповідних подовжувальних шнурів може призвести до пожежі або ураження електричним струмом.
- **Не кладіть ніяких предметів на зарядний пристрій та не залишайте зарядний пристрій на м'якій поверхні, що може заблокувати вентиляційні отвори та призвести до надмірного нагрівання.** Розташуйте зарядний пристрій подалі від джерел тепла. Зарядний пристрій вентилюється крізь отвори у верхній та нижній частинах корпусу.
- **Не використовуйте зарядний пристрій з пошкодженням кабелем або вилкою**— їх потрібно негайно замінити.
- **Не використовуйте зарядний пристрій після того, як він отримав різкий удар, впадо або був пошкоджений іншим чином.** Віднесіть його в авторизований сервісний центр.
- **Не розбирайте зарядний пристрій; віднесіть його в авторизований сервісний центр, коли він вимагає технічного обслуговування або ремонту.** Невірні способи використання можуть призвести до виникнення пожежі або ураження електричним струмом.
- У випадку пошкодження кабелю живлення його необхідно негайно замінити, звернувшись до виробника, спеціаліста сервісного центру або іншого кваліфікованого спеціаліста, для уникнення небезпеки.
- **Відключіть зарядний пристрій від розетки перед його очищенням.** Це дозволяє знизити ризик ураження електричним струмом. Видалення акумулятора не знижує ризик.
- **НИКОЛИ не намагайтесь з'єднати два зарядні пристрої.**
- **Цей зарядний пристрій розрахований для роботи зі стандартним побутовим значенням електричної потужності 230 В. Не намагайтесь використовувати його з іншою напругою.** Це не стосується автомобільних зарядних пристроїв.

Зарядка акумулятора (Рис. В)







1. Підключіть зарядний пристрій до відповідної розетки перед встановленням акумулятора.

- Вставте акумулятор ① у зарядний пристрій, переконавшись, що акумулятор встановлено у зарядний пристрій до упору. Червоний індикатор (зарядки) буде часто миготіти, указуючи на початок процесу зарядки.
- Про завершення зарядки свідчить червоний індикатор, який горить постійно та не миготить. Це означає, що акумулятор повністю заряджений, може використовуватися відразу або залишатися в зарядному пристрої. Щоб витягнути акумулятор із зарядного пристрою, натисніть кнопку деблокування ② на акумуляторі.

ПРИМІТКА: щоб забезпечити максимальну продуктивність та тривалість роботи літій-іонних акумуляторів, повністю заряджайте їх перед першим використанням.

Робота зарядного пристрою

Щоб визначити статус заряджання акумулятора, перевірте описані нижче індикатори.

Індикатори зарядки	
	Зарядження 
	Повністю заряджений 
	Затримка через надмірно гарячий/холодний акумулятор* 

*Червоний індикатор буде продовжувати миготіти, а жовтий індикатор буде горіти під час виконання цього завдання. Коли акумулятор досягає відповідної температури, жовтий індикатор вимикається, а зарядний пристрій відновлює процес зарядки.

Сумісний зарядний пристрій не буде заряджати несправний акумулятор. Зарядний пристрій розпізнає несправну батарею та не ввімкне світловий індикатор.

ПРИМІТКА: це також може свідчити про проблему з зарядним пристроєм.

Якщо виявлено проблему із зарядним пристроєм, віднесіть зарядний пристрій та акумулятор для перевірки в авторизований сервісний центр.

Затримка через занадто гарячий/холодний акумулятор

Якщо зарядний пристрій визначає, що акумулятор є занадто гарячим або занадто холодним, він автоматично вмикає режим температурної затримки, припиняючи процес зарядки, доки акумулятор не досягне відповідної температури. Після цього зарядний пристрій автоматично перемикається в режим зарядки акумуляторного блоку. Ця функція забезпечує максимальний термін служби акумулятора.

Холодний акумулятор буде заряджатися повільніше у порівнянні з теплим акумулятором. Акумулятор буде заряджатися повільніше протягом всього циклу зарядки та не повернеться до максимальної швидкості зарядки, навіть якщо нагріється.

Електронна система захисту

Інструменти з літій-іонними акумуляторами XR розроблені з використанням системи електронного захисту, яка захищає

акумулятор від перевантаження, перегрівання або повної розрядки.

Пристрій автоматично вимикається, якщо спрацює електронна система захисту. У цьому випадку встановіть літій-іонний акумулятор у зарядний пристрій до повної зарядки.

Кріплення на стіну

Ці зарядні пристрої можна закріпити на стіні, а також поставити на стіл або іншу робочу поверхню. При кріпленні на стіну розташуйте зарядний пристрій недалеко від електричної розетки, а також подалі від кутів та інших перешкод, що заважають повітряному потоку. Скористайтесь задньою частиною зарядного пристрою в якості шаблону для розташування кріпильних гвинтів на стіні. Надійно зафіксуйте зарядний пристрій за допомогою шурупів (потрібно придбати окремо) довжиною приблизно 25,4 мм з голівкою діаметром 7–9 мм, що закручуються в дерево до оптимальної глибини, щоб залишилося приблизно 5,5 мм. Вирівняйте отвори на задній поверхні зарядного пристрою з частиною шурупів, що виступає, після чого повністю вставте шурупи в отвори.

Інструкції з очищення зарядного пристрою

⚠ ОБЕРЕЖНО! Небезпека ураження електричним струмом. Відключіть зарядний пристрій від розетки змінного струму перед його очищенням. Бруд та жир можна видалити з поверхні зарядного пристрою за допомогою ганчірки або м'якої неметалевої щітки. Не використовуйте воду та мийні розчини. Не дозволяйте рідин потрапляти всередину інструмента та ніколи не занурюйте деталі інструмента в рідину.

Акумулятор

Важливі інструкції з техніки безпеки для різних типів акумуляторів

При замовленні змінних акумуляторів не забудьте вказати номер за каталогом та напругу.

Новий акумулятор заряджений не повністю. Перед використанням акумулятора та зарядного пристрою прочитайте всі нижче наведені інструкції з техніки безпеки. Після цього виконайте всі вказані пункти процедури зарядки.

ПРОЧИТАЙТЕ ВСІ ІНСТРУКЦІЇ

- **Не заряджайте та не використовуйте акумулятор у вибухонебезпечних умовах, наприклад біля легкозаймистих рідин, газів або пилу.** При встановленні або видаленні акумулятора з зарядного пристрою можуть спалахнути пил або випари.
- **На вставляйте акумулятор силою в зарядний пристрій. Жодним чином не змінюйте акумулятор для його встановлення у несумісний зарядний пристрій, тому що акумулятор може розірватися та спричинити серйозні травми.**
- **Заряджайте акумулятори лише за допомогою зарядного пристрою DEWALT.**

- **НЕ** занурюйте акумулятор у воду та інші рідини та не бризкайте на нього.
- **Не зберігайте та не використовуйте інструмент та акумулятор у місцях, де температура може досягати або перевищувати 40 °C (наприклад, поза гаражами або металевими будівлями влітку).**
- **Не спалюйте акумулятор, навіть якщо він сильно пошкоджений або повністю зношений.** Акумулятор може вибухнути у вогні. Коли літій-іонні акумулятори горять, утворюються токсичні випаровування та речовини.
- **Якщо вміст акумулятора потрапляє на шкіру, негайно промийте це місце м'яким милом та водою.** Якщо рідина з акумулятора потрапить в очі, промийте відкрите око протягом 15 хвилин або доки подразнення не зникне. Якщо необхідно, зверніться до лікаря, акумуляторний електроліт складається з суміші рідких органічних вуглекислих солей та солей літію.
- **Вміст відкритого акумулятора може спричинити подразнення дихальних шляхів.** Вийдіть на свіже повітря. Якщо симптоми не зникнуть, зверніться до лікаря.



ОБЕРЕЖНО! *Небезпека опіку.* Рідина з акумулятора може спалахнути, якщо на неї потрапить іскра або полум'я.



ОБЕРЕЖНО! *За жодних умов не намагайтесь відкрити акумулятор.* Якщо акумулятор пошкоджено якимось чином, не встановлюйте його у зарядний пристрій. Не бийте, не кидайте та не пошкоджуйте акумулятор. Не використовуйте акумулятор та зарядний пристрій, що отримали значний удар, впали або пошкоджені іншим чином (наприклад, були проколоті цвяхом, вдарені молотком, на них наступили). Це може призвести до ураження електричним струмом. Пошкоджені акумулятори необхідно повернути в сервісний центр для переробки.



ОБЕРЕЖНО! *Небезпека виникнення пожежі.* Зберігайте та переносьте акумулятор так, щоб металеві предмети не торкалися його відкритих контактів. Наприклад, не кладіть акумулятор у фартух, кишені, ящики з інструментами, коробки з наборами приладдя, шухляди тощо, де можуть бути цвяхи, гвинти, ключі тощо.



УВАГА! *Коли інструмент не використовується, залиште його на стабільній поверхні у положенні на боці, де він не становитиме небезпеку відключення або падіння.* Деякі інструменти, обладнані великими акумуляторами, можна встановлювати на акумулятор, однак їх стійкість може бути під загрозою.

Транспортування



ОБЕРЕЖНО! *Небезпека виникнення пожежі.* Під час перевезення акумуляторів може виникнути пожежа, якщо контакти акумулятора випадково ввійдуть

в контакт з електропровідним матеріалом. При перевезенні акумуляторів переконайтесь, що їхні контакти захищені та добре ізольовані від матеріалів, які можуть увійти з ними в контакт та викликати коротке замикання.

ПРИМІТКА: не можна перевозити літій-іонні акумулятори в якості зареєстрованого багажу.

Акумулятори DeWALT відповідають всім відповідним нормам перевезення, описаним у галузевих та законодавчих положеннях, включаючи рекомендації ООН з перевезення небезпечних вантажів; правила перевезення небезпечних вантажів Міжнародної організації повітряного транспорту (IATA), міжнародні правила перевезення небезпечних вантажів водним транспортом (IMDG) та Європейську угоду про міжнародні дорожні перевезення небезпечних вантажів (ADR). Літій-іонні акумулятори та батареї були перевірені відповідно до розділу 38.3 посібника тестів та критеріїв щодо рекомендацій ООН з перевезення небезпечних вантажів. У більшості випадків перевезення акумуляторів DeWALT може бути класифіковано як перевезення небезпечних речовин, що повністю підпадають під Клас 9. Загалом тільки вантажі, що містять літій-іонні акумулятори ємністю більше 100 Вт-годин (Вт-год.), вимагають транспортування відповідно до норм перевезення небезпечних речовин, що повністю підпадають під Клас 9. На всіх літій-іонних акумуляторах нанесено значення ват-годин. Більше того, через складності законодавчих норм компанія DeWALT не рекомендує транспортування окремо літій-іонних акумуляторів повітряним транспортом, незалежно від показника ват-годин. Транспортування інструментів з акумуляторами (у комплекті) можна виконувати повітряним транспортом, якщо значення ват-годин не перевищує 100 Вт-год.

Незалежно від того, чи вантаж вважається виключеним або повністю регламентованим, вантажовідправник несе відповідальність за відповідність останнім нормам щодо вимог до упаковки, етикеток/маркування та документації. Інформація, що наводиться у цьому розділі посібника, сумлінно перевірена та вважається дійсною на момент створення документації. Проте чинні нормативи можуть підлягати змінам. Покупець несе відповідальність за те, щоб його дії відповідали певним нормам.

Рекомендації щодо зберігання

1. Найкращим місцем для зберігання інструмента є прохолодне сухе місце, куди не потраплять прямі сонячні промені та немає доступу тепла та холоду. Для забезпечення оптимальної продуктивності та терміну служби акумуляторів зберігайте їх при кімнатній температурі, коли вони не використовуються.
2. При тривалому зберіганні для оптимального результату рекомендується помістити повністю заряджений акумулятор у сухе прохолодне місце поза зарядним пристроєм.

ПРИМІТКА: рекомендується не зберігати акумулятор повністю розрядженим. Акумулятор потрібно перезарядити перед використанням.

Етикетки на зарядному пристрої та акумуляторі

Крім символів, що використовуються у цьому посібнику, етикетки на зарядному пристрої та акумуляторі можуть містити наведені нижче позначки.



Прочитайте інструкції цього керівництва перед використанням.



Див. розділ **Технічні дані** щодо часу зарядки.



Уникайте контакту з електропровідними об'єктами.



Не заряджайте пошкоджені акумулятори.



Не піддавайте впливу води.



Негайно замініть пошкоджений шнур живлення.



Заряджайте акумулятор при температурі 4-40 °С.



Лише для використання у приміщенні.



Утилізуйте акумулятори з належною турботою про навколишнє середовище.



Заряджайте акумулятори DEWALT лише за допомогою спеціальних зарядних пристроїв DEWALT. Зарядка інших акумуляторів крім акумуляторів DEWALT за допомогою зарядного пристрою DEWALT може спричинити вибух акумулятора або інші небезпечні ситуації.



Не кидайте акумулятори у відкритий вогонь.

Тип акумулятора

DCF801 та DCF902 працює від акумулятора потужністю 12. Для експлуатації придатні акумулятори наступних моделей: DCB122, DCB123, DCB124, DCB125, DCB127. Див. додаткову інформацію у розділі **Технічні дані**.

Комплект поставки

Комплект містить:

- 1 Ударний шурупокрут (DCF801) або
- 1 Ударний гайкокрут (DCF902)
- 1 Зарядний пристрій
- 1 Поясний гак (входить до комплекту деяких моделей)
- 1 Ящик з набором інструментів (входить до комплекту деяких моделей)

- 1 Літій-іонний акумулятор (моделі C1, D1, L1, M1, P1, S1, T1, X1, Y1)
- 2 Літій-іонні акумулятори (моделі C2, D2, L2, M2, P2, S2, T2, X2, Y2)
- 3 Літій-іонний акумулятор (моделі C3, D3, L3, M3, P3, S3, T3, X3, Y3)
- 1 Посібник з експлуатації

ПРИМІТКА: акумулятори, зарядні пристрої та коробки для зберігання не входять до комплекту моделей N. Акумулятори та зарядні пристрої не входять до комплекту моделей NT.

ПРИМІТКА: торгові марки й торгові назви належать відповідним власникам.

- *Перевірте інструмент, деталі та приладдя на пошкодження, що могли виникнути під час транспортування.*
- *Перед використанням уважно прочитайте та повністю зрозумійте цей посібник.*

Маркування інструмента

На інструменті є наступні піктограми:



Прочитайте інструкції цього керівництва перед використанням.



Використовуйте засоби захисту слуху.



Використовуйте засоби захисту очей.



Видиме випромінювання. Не дивіться на джерело світла.

Розташування коду дати (Рис. А)

Код дати **12**, що включає також рік виробництва, наноситься на корпус.

Приклад:

2019 XX XX
Рік виробництва

Опис (Рис. А)



ОБЕРЕЖНО! Ніколи не модифікуйте електричні інструменти та їхні деталі. Інакше вони можуть стати причиною пошкодження майна або травм.

- 1 Акумулятор
- 2 Кнопка звільнення акумулятора
- 3 Тригерний перемикач змінної швидкості
- 4 Перемикач напрямку обертання (вперед/назад)
- 5 Муфта затискного патрона (DCF801)
- 6 6,35 мм шестигранне швидкороз'ємне затискне кільце (DCF801)
- 7 Лампи підсвічування
- 8 Основна ручка
- 9 Кнопка вибору режиму
- 10 3/8"/9,5 мм посадковий квадрат (DCF902)
- 11 Дротове кільце (DCF902)

Область застосування

Інструмент ударної дії призначено для професійного застосування з метою ударного закручування кріпильних елементів. Ударна функція робить цей інструмент особливо корисним для закручування кріпильних елементів у деревину, метал і бетон.

НЕ використовуйте за умов підвищеної вологості або у присутності легкозаймистих рідин та газів.

Цей Інструмент ударної дії є професійним електричним інструментом.

НЕ дозволяйте дітям підходити на небезпечну відстань та торкатися інструмента. Під час використання інструмента недосвідченими операторами необхідний нагляд.

- **Діти та хворі люди.** Даний пристрій не призначений для експлуатації дітьми та особами з обмеженими розумовими та фізичними можливостями без стороннього контролю.
- Цей пристрій не призначений для використання особами (в тому числі дітьми) із зниженими фізичними, сенсорними або розумовими можливостями або особами, яким бракує досвіду або знань за винятком випадків, коли такі особи працюють під наглядом особи, яка несе відповідальність за їх безпеку. Не можна залишати дітей наодинці з цим пристроєм.

МОНТАЖ ТА НАЛАШТУВАННЯ

⚠ ОБЕРЕЖНО! Щоб знизити ризик серйозних травм, вимкніть інструмент та відключіть акумулятор перед виконанням будь-яких налаштувань або зніманням/встановленням додаткового обладнання або приладдя. Випадковий запуск може призвести до травм.

⚠ ОБЕРЕЖНО! Використовуйте лише акумулятори та зарядні пристрої фірми DEWALT.

Установка акумулятора в інструмент та його витягування з нього (Рис. В)

ПРИМІТКА: переконайтесь, що ваш акумулятор ① повністю заряджений.

Для встановлення акумулятора у ручку інструмента

1. Вирівняйте акумулятор ① по напрямляючим у ручці інструменту (Рис. В).
2. Вставте акумулятор у ручку до упору та переконайтесь, що ви почули звук клацання акумулятора на місці.

Витягування акумулятора з інструмента

1. Натисніть кнопку відпускання ② та витягніть акумулятор з ручки інструмента.
2. Вставте акумулятор у зарядний пристрій, як описано у розділі щодо зарядного пристрою цього посібника.

Акумулятори з індикатором рівня заряду (Рис. В)

Деякі акумулятори DEWALT оснащені індикатором заряду з трьох зелених світлодіодів, що вказують рівень заряду акумулятору, що залишився.

Щоб увімкнути індикатор заряду, натисніть та утримуйте кнопку індикатора заряду 13. Три зелені світлодіоди будуть горіти відповідним чином, відображуючи рівень зарядки акумулятора. Коли рівень заряду акумулятору нижче відповідного ліміту, індикатор рівня заряду не горить, а акумулятор потрібно зарядити.

ПРИМІТКА: індикатор рівня зарядки показує лише рівень зарядки, що залишився в акумуляторі. Він не показує функціональність інструмента, а його показники можуть змінюватись відповідно до комплектності інструмента, температури та способу застосування.

Поясний гак (Рис. С)

Входить до комплекту деяких моделей

⚠ ОБЕРЕЖНО! Щоб знизити ризик отримання серйозних травм, НЕ підвішуйте інструмент над головою та не підвішуйте інші предмети на кріплення для ременя. Пристібайте кріплення **ЛИШЕ** до робочого ременя.

⚠ ОБЕРЕЖНО! Щоб знизити ризик отримання важких травм, переконайтесь у надійній фіксації гвинта, який утримує кріплення для ременя.

ВАЖЛИВО! Для встановлення або заміни поясного гака використовуйте лише гвинт, який йде в комплекті. Переконайтесь, що гвинт надійно затягнутий.

Поясний гак 14 можна припасувати з будь-якої сторони інструменту з використанням того гвинта 15, який надається в комплекті, для використання особами, які краще володіють правою або лівою рукою. Якщо поясний гак непотрібний взагалі, його можна зняти з інструмента.

Щоб переставити поясний гак, викрутіть гвинт 15, який його кріпить, а потім встановіть його з протилежної сторони. Переконайтесь, що гвинт надійно затягнутий.

РЕЖИМ РОБОТИ

Інструкції з використання

⚠ ОБЕРЕЖНО! Завжди дотримуйтесь усіх інструкцій з техніки безпеки та відповідних норм.

⚠ ОБЕРЕЖНО! Щоб знизити ризик серйозних травм, вимкніть інструмент та відключіть акумулятор перед виконанням будь-яких налаштувань або зніманням/встановленням додаткового обладнання або приладдя. Випадковий запуск може призвести до травм.

Вірне положення рук (Рис. D)

⚠ ОБЕРЕЖНО! Щоб знизити ризик серйозних травм, **ЗАВЖДИ** правильно розташуйте руки, як показано.



ОБЕРЕЖНО! Щоб знизити ризик серйозних травм, **ЗАВЖДИ** добре тримайте інструмент, щоб попередити випадкову віддачу.

Правильне положення рук полягає в тому, щоб одна рука знаходилась на основній ручці **8**

Тригерний перемикач змінної швидкості (Рис. А)

Для ввімкнення інструмента натисніть тригерний перемикач **3**. Відпустіть тригерний перемикач, щоб вимкнути інструмент. Ваш інструмент оснащено гальмом. Патрон зупиниться, коли тригерний перемикач буде повністю відпущений.

Перемикач з регулятором швидкості дає можливість почати роботу з малою швидкістю. Чим далі ви будете натискати курок, ти швидше буде обертатись інструмент. Для подовження терміну служби інструменту використовуйте змінну швидкість тільки на початку свердління отворів або закручування кріпильних елементів.

ПРИМІТКА: не рекомендується постійно використовувати інструмент з усім діапазоном швидкостей. Це може призвести до пошкодження перемикача.

Кнопку зміни напрямку обертання вперед/назад (Рис. А)

Реверсивна кнопка **4** визначає напрямок руху інструмента, а також є кнопкою блокування.

Для активації обертання вперед, відпустіть тригерний перемикач та натисніть кнопку перемикачання напрямку обертання вперед/назад на правій стороні інструменту. Щоб обрати обертання назад, натисніть реверсивну кнопку на лівій стороні інструменту. Реверсивна кнопка у центральному положенні блокує інструмент у вимкненому стані. При зміні положення кнопки переконайтесь, що тригер відпущений.

ПРИМІТКА: при першому ввімкненні інструменту після заміни напрямку обертання ви можете почути клацання в момент запуску. Це нормально і не є показником проблеми.

Лампи підсвічування (Рис. А)

Три лампи підсвічування **7** розташовані біля шестигранного патрона 6,35 мм **6** або посадкового квадрата **10**. Лампи підсвічування вмикаються при натисненні на тригерний перемикач.

Після відпускання перемикача лампа підсвічування горітиме ще до 20 секунд. Доки тригерний перемикач натиснуто, підсвічування буде працювати.

ПРИМІТКА: лампи підсвічування призначені лише для підсвічування безпосередньої робочої зони і не мають використовуватися як ліхтарик.

Селектор режиму (Рис. А)

Ваш інструмент оснащений кнопкою вибору швидкості **9**, що дозволяє обрати одну із трьох швидкостей. Виберіть режим в залежності від застосування та керуйте швидкістю

інструмента за допомогою куркового перемикача з регулятором швидкості **3**.

Precision Wrench™ (Рис. С)

DCF801

На додачу до звичайних ударних режимів цей інструмент також має режим Precision Drive™, що забезпечує більший контроль при використанні за легших умов і дозволяє уникнути пошкодження матеріалів чи кріпильних елементів. Цей режим ідеально підходить для легких робіт, наприклад закручування гвинтів меблевих завіс або дрібних гвинтів для металу. Інструмент у режимі Precision Drive™ працює як викрутка в легкому режимі роботи, потім призупиняється, коли голівка гвинта досягає оброблюваного виробу, а потім (за необхідності) починає повільну контрольовану ударну роботу, щоб забезпечити ідеальне встановлення голівки врівень з поверхнею.

ПРИМІТКА: цей режим призначений для легких умов закручування. Якщо інструмент в режимі Precision Drive™ не закручує кріпильний елемент, оберіть інший режим, що не має функції точного приводу.

DCF801	
Режим Precision Drive™	Precision Drive™
Режим низької швидкості	Ударні рухи з низькою швидкістю
Режим високої швидкості	Ударні рухи з високою швидкістю

Precision Wrench™ (Рис. С)

DCF902

Окрім режимів з низькою швидкістю ударів, цей інструмент має режим Precision Wrench™, який забезпечує покращений контроль як під час закручування, так і під час відкручування. Якщо вибрано напрямок обертання вперед, інструмент закручує кріпильний елемент до початку ударних рухів. Після цього інструмент зупиниться на 0,5 секунди перед тим, як перейти до ударних рухів, надаючи користувачу можливість краще контролювати процес та зменшуючи можливість надмірного затягування з'єднання або пошкодження матеріалу.

Якщо встановлено обертання в зворотному напрямку, інструмент працюватиме в ударному режимі з нормальною швидкістю. Коли інструмент розпізнає, що з'єднання послаблене, він припинить здійснювати ударні рухи та зменшить швидкість для того, щоб запобігти «сходу» послабленого кріпильного елемента.

DCF902	
Режим Precision Wrench™	Precision Wrench™
Режим низької швидкості	Ударні рухи з низькою швидкістю
Режим високої швидкості	Ударні рухи з високою швидкістю

Швидкозатискний патрон (Рис. F)

DCF801



ОБЕРЕЖНО! Використовуйте лише насадки для ударного інструмента. Використання насадок, не призначених для ударного інструмента, може

привести до поломки насадок та створення небезпечних умов. Перед використанням огляньте насадку і переконайтесь, що на ній немає тріщин.

ПРИМІТКА: у патроні можна використовувати лише шестигранні насадки 6,35 мм. Використання насадок 25 мм дозволяє отримати кращий доступ до важкодоступних місць. Перед заміною насадок переведіть кнопку реверсу 4 в положення блокування (центральне положення) або видаліть акумулятор з інструмента.

Для встановлення насадки, із зусиллям штовхніть насадку у патрон 6. Муфта затискного патрона 5 не потрібно натягувати, щоб встановити насадку на місце.

Для видалення насадки потягніть муфту затискного патрона у напрямку задньої частини інструмента. Зніміть насадку і відпустіть муфту.

Посадковий квадрат із стопорним кільцем-фіксатором (Рис. С)

ДСС902



ОБЕРЕЖНО! Використовуйте лише насадки для ударного інструмента. Використання насадок, не призначених для ударного інструмента, може привести до поломки насадок та створення небезпечних умов. Перед використанням огляньте насадку і переконайтесь, що на ній немає тріщин.



УВАГА! Перевіряйте посадкові квадрати, фіксувальні штифти та стопорне кільце-фіксатор перед використанням. Відсутні або пошкоджені деталі слід замінити перед використанням.

Перед заміною насадок переведіть кнопку реверсу 4 в положення блокування (центральне положення) або видаліть акумулятор з інструмента.

Для встановлення насадки на посадковий квадрат зі стопорним кільцем-фіксатором із зусиллям наштовхніть насадку на посадковий квадрат 10. Стопорне кільце-фіксатор 11 стиснеться, щоб дати насадці можливість сісти на місце. Після того, як насадка буде встановлена, стопорне кільце-фіксатор буде тиснути на неї, допомагаючи утримувати насадку в робочому положенні.

Щоб зняти, ухопіться за насадку та стягніть її.

Використання

Ваш ударний інструмент забезпечує наступний максимальний крутний момент:

Кат. №	Н-м	Фуг-фунтів	Дюйм-фунтів
ДСС801	163	120,8	1450
ДСС902	168	125	1500



УВАГА! Пересвідчіться, що кріпильний елемент та/або система витримають крутний момент, який створює інструмент. Надмірний крутний момент може привести до поломки та можливої травми.

1. Встановіть насадку на головку кріпильного елемента. Утримуйте інструмент на одній лінії з кріпильним інструментом.

2. Натисніть перемикач, щоб почати роботу. Відпустіть перемикач, щоб припинити роботу. Завжди перевіряйте момент затягування динамометричним ключем, оскільки на нього впливає багато факторів, наприклад:

- **Напруга.** Низька напруга через майже розряджений акумулятор зменшить момент затягування.
- **Розмір насадки.** Використання насадки неправильного розміру призведе до зменшення моменту затягування.
- **Розмір болта.** Для болтів великого діаметру потрібний більший момент затягування. Момент також буде відрізнятися в залежності від довжини, типу та коефіцієнту моменту.
- **Болт.** Пересвідчіться, що на нарізі немає іржі та інших сторонніх речовин, для досягнення належного моменту затягування.
- **Матеріал.** Тип матеріалу та покриття поверхні матеріалу впливають на момент затягування.
- **Час затягування.** Довший час затягування призводить до збільшеного моменту затягування. Затягування протягом довшого ніж рекомендовано часу може привести до перенапруження, зривання нарізі або пошкодження кріпильного елемента.

ТЕХНІЧНЕ ОБСЛУГОВУВАННЯ

Ваш інструмент виробництва компанії DEWALT призначений для роботи протягом довгого часу з мінімальним обслуговуванням. Довга задовільна робота приладу залежить від належного обслуговування приладу та регулярного його очищення.



ОБЕРЕЖНО! Щоб знизити ризик серйозних травм, вимкніть інструмент та відключіть акумулятор перед виконанням будь-яких налаштувань або зніманням/встановленням додаткового обладнання або приладдя.

Випадковий запуск може привести до травм.

Зарядний пристрій та акумулятор не підлягають обслуговуванню.



Змашування

Ваш електричний інструмент не вимагає додаткового змашування.



Очищення



ОБЕРЕЖНО! Коли пил та бруд стають помітними та починають накопичуватися біля вентиляційних отворів, видуйте бруд та пил зсередини основного корпусу за допомогою сухого повітря. Використовуйте рекомендовані засоби захисту органів зору та рекомендовану протипилову маску при виконанні цієї операції.



ОБЕРЕЖНО! Ніколи не використовуйте розчинники та інші агресивні хімічні засоби для очищення неметалевих деталей інструмента. Такі хімічні речовини можуть нанести шкоду матеріалам, що використовуються в цих деталях. Використовуйте вологу ганчірку, змочену лише водою з м'яким милом. Не дозволяйте рідині потрапляти всередину інструмента та ніколи не занурюйте деталі інструмента в рідину.

Додаткові аксесуари



ОБЕРЕЖНО! Оскільки інші аксесуари, що не рекомендовані компанією DEWALT, не були перевірені з цим продуктом, використання таких аксесуарів з цим інструментом може бути небезпечним. Щоб знизити ризик травми, використовуйте лише аксесуари, рекомендовані компанією DEWALT.

Зверніться до свого дилера для отримання подальшої інформації щодо відповідного приладдя.

Захист навколишнього середовища



Роздільний збір. Пристрої та батареї, позначені цим символом, не можна викидати зі звичайним побутовим сміттям.

Пристрої та батареї містять матеріали, які можна відновити та переробити, що зменшить потребу у сировині. Будь ласка, віддавайте електричні інструменти та батареї на переробку відповідно до місцевих постанов. Більш детальну інформацію можна отримати на сайті www.2helpU.com.

Придатність акумулятора для перезарядки

Дана модель акумулятора підлягає перезарядці у випадку зниження його потужності при виконанні завдань, що попередньо не вимагали особливих зусиль. Наприкінці терміну служби акумулятора, утилізуйте його у спосіб, безпечний для навколишнього середовища.

- Повністю розрядіть акумулятор, потім витягніть його з інструмента.
- Літій-іонні акумулятори можна повторно переробляти. Віднесіть їх до свого дилера або на місцеву переробку станцію. Там зібрані акумулятори будуть перероблені або відповідно знищені.



Виробник:
"Stanley Black & Decker Deutschland
GmbH" Black-&-Decker Str.40, D-65510
Idstein, Німеччина





ГАРАНТІЙНИЙ ТАЛОН

3 РОКИ
ГАРАНТІЇ

1. Вітаємо Вас з покупкою високоякісного виробу DEWALT і висловлюємо вдячність за Ваш вибір.
2. При покупці виробу вимагайте перевірки його комплектності і справності у Вашій присутності, інструкцію з експлуатації та заповнений гарантійний талон українською мовою. В гарантійному талоні повинні бути внесені: модель, дата продажу, серійний номер, дата виробництва інструменту, назва, печатка і підпис торгової організації. За відсутності у Вас правильно заповненого гарантійного талону, а також при невідповідності зазначених у ньому даних ми будемо змушені відхилити Ваші претензії щодо якості даного виробу.
3. Щоб уникнути непорозумінь, переконливо просимо Вас перед початком роботи з виробом уважно ознайомитися з інструкцією з його експлуатації. Правовою основою справжніх гарантійних умов є чинне Законодавство. Гарантійний термін на даний виріб складає 36 місяці і обчислюється з дня продажу. У разі усунення недоліків виробу, гарантійний строк продовжується на період його перебування в ремонті. Термін служби виробу становить 5 років з дня продажу.
4. У разі виникнення будь-яких проблем у процесі експлуатації виробу рекомендуємо Вам звертатися тільки в уповноважені сервісні центри DEWALT, адреси та телефони яких Ви зможете знайти в гарантійному талоні, на сайті www.2helpU.com або дізнатися в магазині. Наші сервісні станції - це не тільки кваліфікований ремонт, але і широкий асортимент запчастин і аксесуарів.
5. Виробник рекомендує проводити періодичну перевірку і технічне обслуговування виробу в уповноважених сервісних центрах.
6. Наші гарантійні зобов'язання поширюються тільки на несправності, виявлені протягом гарантійного терміну і викликані дефектами виробництва та \ або матеріалів.
7. Гарантійні умови не поширюються на несправності виробу, що виникли в результаті:
 - 7.1. Недотримання користувачем приписів інструкції з експлуатації виробу, застосування виробу не за призначенням, неправильного зберігання, використання приладдя, витратних матеріалів і запчастин, що не передбачені виробником.
 - 7.2. Механічного пошкодження (відколи, тріщини і руйнування) внутрішніх і зовнішніх деталей виробу, основних і допоміжних рукояток, мережевого кабелю, що викликані зовнішнім ударним або будь-яким іншим впливом
 - 7.3. Потраплення у вентиляційні отвори та проникнення всередину виробу сторонніх предметів, матеріалів або речовин, що не є відходами, які супроводжують застосування виробу за призначенням, такими як: стружка, тирса, пісок, та ін.
 - 7.4. Впливу на виріб несприятливих атмосферних і інших зовнішніх факторів, таких як дощ, сніг, підвищена вологість, нагрівання, агресивні середовища, невідповідність параметрів електромережі, що зазначені на інструменті.
 - 7.5. Стихійного лиха. Пошкодження або втрати виробу, що пов'язані з неперебаченими лихами, стихійними явищами, у тому числі внаслідок дії непереборної сили (пожежа, блискавка, потоп і інші природні явища), а також внаслідок перепадів напруги в електромережі та іншими причинами, які знаходяться поза контролем виробника.
8. Гарантійні умови не поширюються:
 - 8.1. На інструменти, що піддавались розкриттю, ремонту або модифікації поза уповноваженим сервісним центром.
 - 8.2. На деталі, вузли та матеріали, що мають сліди природного зносу, такі як: приводні ремені і колеса, вугільні щітки, мастило, підшипники, зубчасті зчеплення редукторів, гумові ущільнення, сальники, направляючі ролики, муфти, вимикачі, бойки, штовхачі, стовпи тощо.
 - 8.3. На змінні частини: патрони, цанги, затискові гайки і фланці, фільтри, ножі, шліфувальні підшви, ланцюги, зірочки, пильні шини, захисні кожухи, пилки, абразиви, пильні і абразивні диски, фрези, свердла, бури тощо
 - 8.4. На несправності, що виникли в результаті перевантаження інструменту (як механічного, так і електричного), що спричинили вихід з ладу одночасно двох і більше деталей і вузлів, таких як: ротора і статора, обох обмоток статора, веденої і ведучої шестерень редуктора або інших вузлів і деталей. До безумовних ознак перевантаження виробу відносяться, крім інших: поява кольорів мінливості, деформація або опалення деталей і вузлів виробу, потемніння або обуглювання ізоляції проводів електродвигуна під впливом високої температури.

Товар отриманий в справному стані, без видимих ушкоджень, в повній комплектації, перевірений у моїй присутності, претензій щодо якості товару не маю. З умовами гарантійного обслуговування ознайомлений і згоден.

П. І. Б. та підпис власника _____

Шановні клієнти, наша мережа авторизованих сервісних центрів постійно розширюється. Актуальну інформацію про обслуговування в місті, що цікавить вас, ви можете дізнатися на сайті

www.2helpU.com

Інформація про інструмент

Найменування інструменту	
Модель	
Найменування продавця	
Дата продажу	

М.П.
Продавця

Серійний номер/Дата виробництва

Інструмент	
Зарядний пристрій	
Акумулятор 1	
Акумулятор 2	

На сайті www.2helpU.com доступні наступні функції:

- Список авторизованих сервісних центрів
- Зручний пошук найближчого сервісного центру
- Керівництво з експлуатації
- Технічні характеристики
- Список деталей і запасних частин
- Схема складання інструменту



Також дану інформацію ви можете отримати, зателефонувавши за номером: 0 (800) 211 521 в Україні

ВІДМІТКА ПРО ПРОВЕДЕННЯ СЕРВІСНОГО ОБСЛУГОВУВАННЯ

№1	№2	№3	№4
№ замовлення	№ замовлення	№ замовлення	№ замовлення
Дата прийому	Дата прийому	Дата прийому	Дата прийому
Дата ремонту	Дата ремонту	Дата ремонту	Дата ремонту
Печатка і підпис сервісного центру	Печатка і підпис сервісного центру	Печатка і підпис сервісного центру	Печатка і підпис сервісного центру