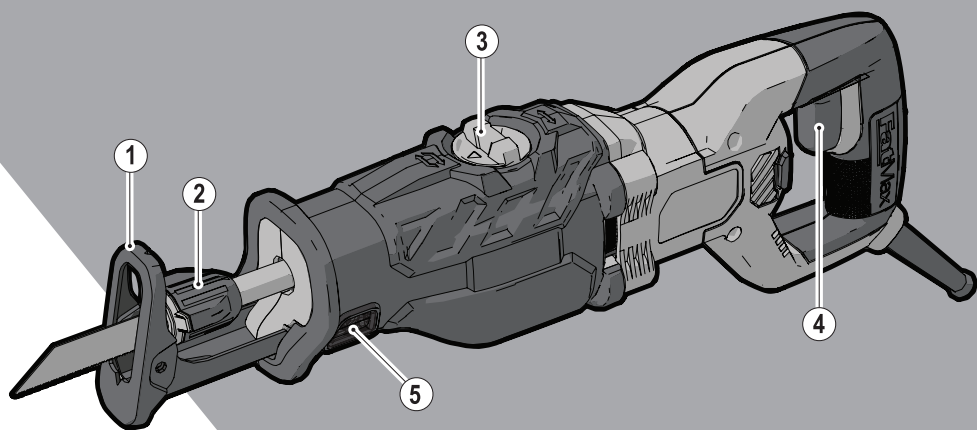
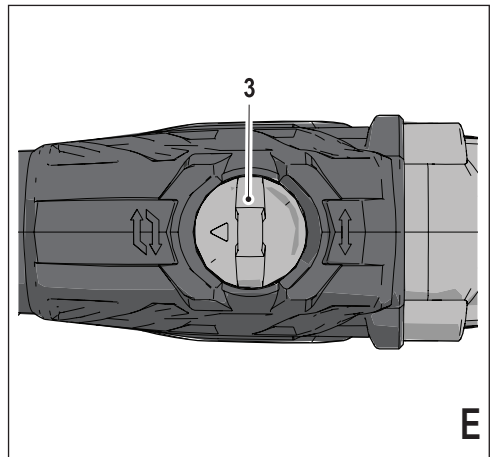
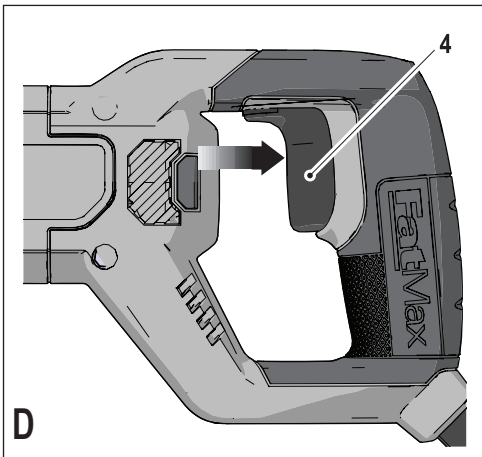
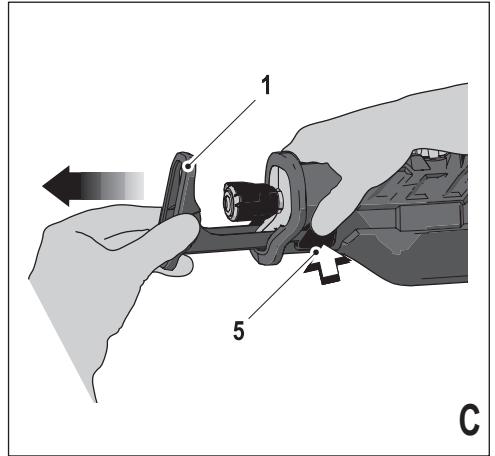
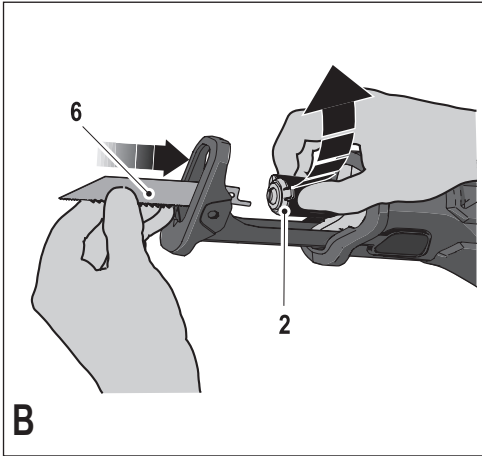
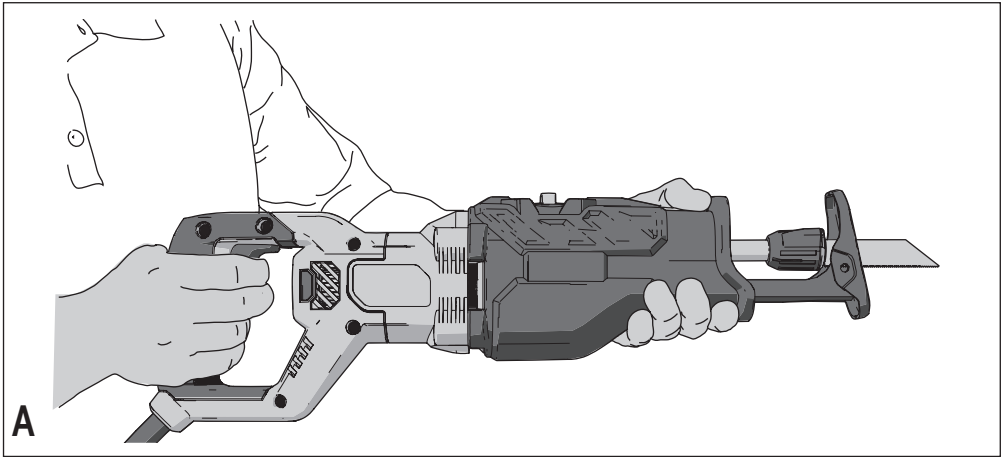


STANLEY[®]

FATMAX[®]





Intended use

Your STANLEY FATMAX FME360/FME365 hand-held reciprocating saw has been designed for sawing wood, plastics and sheet metal. This tool is intended for professional and private, non professional users.

Safety instructions

General power tool safety warnings



Warning! Read all safety warnings, instructions, illustrations and specifications provided with this power tool. Failure to follow all instructions listed below may result in electric shock, fire and/or serious injury.

Save all warnings and instructions for future reference.

The term "power tool" in all of the warnings listed below refers to your mains operated (corded) power tool or battery operated (cordless) power tool.

1. Work area safety

- a. **Keep work area clean and well lit.** Cluttered or dark areas invite accidents.
- b. **Do not operate power tools in explosive atmospheres, such as in the presence of flammable liquids, gases or dust.** Power tools create sparks which may ignite the dust or fumes.
- c. **Keep children and bystanders away while operating a power tool.** Distractions can cause you to lose control.

2. Electrical safety

- a. **Power tool plugs must match the outlet. Never modify the plug in any way.** Do not use any adapter plugs with earthed (grounded) power tools. Unmodified plugs and matching outlets will reduce risk of electric shock.
- b. **Avoid body contact with earthed or grounded surfaces such as pipes, radiators, ranges and refrigerators.** There is an increased risk of electric shock if your body is earthed or grounded.
- c. **Do not expose power tools to rain or wet conditions.** Water entering a power tool will increase the risk of electric shock.
- d. **Do not abuse the cord. Never use the cord for carrying, pulling or unplugging the power tool. Keep cord away from heat, oil, sharp edges or moving parts.** Damaged or entangled cords increase the risk of electric shock.
- e. **When operating a power tool outdoors, use an extension cord suitable for outdoor use.** Use of a cord suitable for outdoor use reduces the risk of electric shock.
- f. **If operating a power tool in a damp location is unavoidable, use a residual current device (RCD) protected supply.** Use of an RCD reduces the risk of electric shock.

3. Personal safety

- a. **Stay alert, watch what you are doing and use common sense when operating a power tool. Do not use a power tool while you are tired or under the influence of drugs, alcohol or medication.** A moment of inattention while operating power tools may result in serious personal injury.
- b. **Use personal protective equipment. Always wear eye protection.** Protective equipment such as a dust mask, non-skid safety shoes, hard hat, or hearing protection used for appropriate conditions will reduce personal injuries.
- c. **Prevent unintentional starting. Ensure the switch is in the off-position before connecting to power source and/or battery pack, picking up or carrying the tool.** Carrying power tools with your finger on the switch or energising power tools that have the switch on invites accidents.
- d. **Remove any adjusting key or wrench before turning the power tool on.** A wrench or a key left attached to a rotating part of the power tool may result in personal injury.
- e. **Do not overreach. Keep proper footing and balance at all times.** This enables better control of the power tool in unexpected situations.
- f. **Dress properly. Do not wear loose clothing or jewellery. Keep your hair and clothing away from moving parts.** Loose clothes, jewellery or long hair can be caught in moving parts.
- g. **If devices are provided for the connection of dust extraction and collection facilities, ensure these are connected and properly used.** Use of dust collection can reduce dust-related hazards.
- h. **Do not let familiarity gained from frequent use of tools allow you to become complacent and ignore tool safety principles.** A careless action can cause severe injury within a fraction of a second.

4. Power tool use and care

- a. **Do not force the power tool. Use the correct power tool for your application.** The correct power tool will do the job better and safer at the rate for which it was designed.
- b. **Do not use the power tool if the switch does not turn it on and off.** Any power tool that cannot be controlled with the switch is dangerous and must be repaired.
- c. **Disconnect the plug from the power source and/or remove the battery pack, if detachable, from the power tool before making any adjustments, changing accessories, or storing power tools.** Such preventive safety measures reduce the risk of starting the power tool accidentally.

- d. **Store idle power tools out of the reach of children and do not allow persons unfamiliar with the power tool or these instructions to operate the power tool.** Power tools are dangerous in the hands of untrained users.
- e. **Maintain power tools and accessories. Check for misalignment or binding of moving parts, breakage of parts and any other condition that may affect the power tools operation. If damaged, have the power tool repaired before use.** Many accidents are caused by poorly maintained power tools.
- f. **Keep cutting tools sharp and clean.** Properly maintained cutting tools with sharp cutting edges are less likely to bind and are easier to control.
- g. **Use the power tool, accessories and tool bits etc. in accordance with these instructions, taking into account the working conditions and the work to be performed.**
Use of the power tool for operations different from those intended could result in a hazardous situation.
- h. **Keep handles and grasping surfaces dry, clean and free from oil and grease.** Slippery handles and grasping surfaces do not allow for safe handling and control of the tool in unexpected situations.

5. Service

- a. **Have your power tool serviced by a qualified repair person using only identical replacement parts.** This will ensure that the safety of the power tool is maintained.

Additional Power Tool Safety Warnings

- **Hold the power tool by insulated gripping surfaces, when performing an operation where the cutting tool may contact hidden wiring or its own cord.** Contact with a "live" wire will also make exposed metal parts of the power tool "live" and could give the operator an electric shock.
- **Use clamps or another practical way to secure and support the workpiece to a stable platform.** Holding the workpiece by hand or against your body leaves it unstable and may lead to loss of control.
- **Keep hands away from cutting area.** Never reach underneath the work piece any reason. Do not insert fingers or thumb into the vicinity of the reciprocating blade and blade clamp. Do not stabilize the saw by gripping the shoe.
- **Keep blades sharp.** Dull or damaged blades may cause the saw to swerve or stall under pressure. Always use the appropriate type of saw blade for the workpiece material and type of cut.
- **When cutting pipe or conduit, make sure that they are free from water, electrical wiring, etc.**

- **Do not touch the workpiece or the blade immediately after operating the tool.** They can become very hot.
- **Be aware of hidden hazards, before cutting into walls, floors or ceilings, check for the location of wiring and pipes.**
- **The blade will continue to move after releasing the switch.** Always switch the tool off and wait for the saw blade to come to a complete standstill before putting the tool down.



Warning! Contact with, or inhalation of dusts arising from cutting applications may endanger the health of the operator and possible bystanders. Wear a dust mask specifically designed for protection against dust and fumes and ensure that persons within or entering the work area are also protected.

- The intended use is described in this instruction manual. The use of any accessory or attachment or performance of any operation with this tool other than those recommended in this instruction manual may present a risk of personal injury and/or damage to property.

Safety of others

- This tool is not intended for use by persons (including children) with reduced physical, sensory or mental capabilities, or lack of experience and knowledge, unless they have been given supervision or instruction concerning use of the appliance by a person responsible for their safety.
- Children should be supervised to ensure that they do not play with the appliance.

Residual Risks

Additional residual risks may arise when using the tool which may not be included in the enclosed safety warnings. These risks can arise from misuse, prolonged use etc. Even with the application of the relevant safety regulations and the implementation of safety devices, certain residual risks can not be avoided. These include:

- Injuries caused by touching any rotating/moving parts.
- Injuries caused when changing any parts, blades or accessories.
- Injuries caused by prolonged use of a tool. When using any tool for prolonged periods ensure you take regular breaks.
- Impairment of hearing.
- Health hazards caused by breathing dust developed when using your tool (example:- working with wood, especially oak, beech and MDF.)

Vibration

The declared vibration emission values stated in the technical data and the declaration of conformity have been measured in accordance with a standard test method provided by EN62841 and may be used for comparing one tool with another. The declared vibration emission value may also be used in a preliminary assessment of exposure.



Warning! The vibration emission value during actual use of the power tool can differ from the declared value depending on the ways in which the tool is used. The vibration level may increase above the level stated.

When assessing vibration exposure to determine safety measures required by 2002/44/EC to protect persons regularly using power tools in employment, an estimation of vibration exposure should consider, the actual conditions of use and the way the tool is used, including taking account of all parts of the operating cycle such as the times when the tool is switched off and when it is running idle in addition to the trigger time.

Labels on tool

The following symbols are shown on the tool along with the date code:



Warning! To reduce the risk of injury, the user must read the instruction manual.

Electrical safety



This tool is double insulated; therefore no earth wire is required. Always check that the power supply corresponds to the voltage on the rating plate.

- If the supply cord is damaged, it must be replaced by the manufacturer or an authorised STANLEY FATMAX Service Centre in order to avoid a hazard.

Using an extension cable

Always use an approved extension cable suitable for the power input of this appliance (see technical data). The extension cable must be suitable for outdoor use and marked accordingly. Up to 30 m of 1.5 mm² HO5VV-F extension cable can be used without loss of product performance. Before use, inspect the extension cable for signs of damage, wear and ageing. Replace the extension cable if damaged or defective. When using a cable reel, always unwind the cable completely.

Features

This tool includes some or all of the following features.

1. Adjustable shoe
2. Blade clamp collar
3. Pendulum selector switch
4. Variable speed on/off switch
5. Shoe release button

Assembly



Warning! Before attempting any of the following operations, make sure that the tool is switched off and unplugged and that the saw blade has stopped. Used saw blades may be hot.

Fitting the saw blade (fig. B)

- Hold the tool away from the body
- Rotate the blade clamp collar (2).

- Insert the shank of the blade (6) fully into the blade clamp collar (2).
- Release the blade clamp collar (2) to lock the blade into position.

Note: The blade can be installed with the teeth up to assist in flush cutting

Removing the saw blade (fig. B)



Warning! Burn hazard: Do not touch the blade immediately after use. Contact with the blade may result in personal injury.

- Rotate the blade clamp collar (2) to the release position
- Remove blade (6)

Adjustable shoe (fig. C)

The shoe (1) will adjust to limit the depth of cut.

- Press the shoe release button (5)
- Slide the shoe (1) to the desired position



Warning! To prevent loss of control, never use tool without shoe.

Use

Switching on and off (fig. D)

The variable speed on/off switch offers a choice of speeds for greatly improved cutting rates in various materials.

- To switch the tool on, squeeze the variable speed on/off switch (4).
- To switch the tool off, release the variable speed on/off switch (4).

Pendulum action selector (fig. E)

The FME360/FME365 has dual blade motion: straight reciprocating motion or orbital motion.

Straight reciprocating motion is used for all metal cutting operations and for wood cutting applications where finish is more important than speed.

- To set the saw for straight reciprocating motion, turn the selector to the position marked

Orbital motion is used for fast cutting of wood.

- To set the saw for orbital action, turn the selector to the position marked

Sawing (fig. A)

- Always hold the tool with both hands.
- Let the blade run freely for a few seconds before starting the cut.
- Apply only a gentle pressure to the tool while performing the cut.
- If possible, work with the shoe (1) pressed against the workpiece. This will improve tool control and reduce tool vibration, as well as prevent the blade from being damaged.

Hints for optimum use

Sawing wood

- Clamp the workpiece securely and remove all nails and metal objects.
- Holding the tool with both hands, work with the shoe (1) pressed against the workpiece.

Flush cutting

The compact design of the reciprocating saw motor housing and pivoting shoe permit close cutting to floors, corners and other difficult areas.

To maximize flush cutting capabilities:

- Insert the blade shaft into the blade clamp with the teeth of the blade facing up.
- Turn the saw upside down so you are as close to the work surface as possible.

Sawing metal

Be aware that sawing metal takes much more time than sawing wood.

- Use a saw blade suitable for sawing metal. Use a fine-tooth saw blade for ferrous metals and a coarser saw blade for non-ferrous metals.
- When cutting thin sheet metal, clamp a piece of scrap wood to the back surface of the workpiece and cut through this sandwich.
- Spread a film of oil along the intended line of cut.

Pocket cutting in wood

- Measure and mark the required pocket cut.
- Fit a saw blade suitable for pocket cutting.
- Rest the shoe (1) on the workpiece in such a position that the blade forms an appropriate angle for the pocket cut.
- Switch on the tool and slowly feed the blade into the workpiece. Make sure that the shoe (1) remains in contact with the workpiece at all times.

Cutting branches

Branches up to 25 mm in diameter can be cut with this tool.



Warning! Do not use the tool while in a tree, on a ladder or on any other unstable surface. Be aware of where the branch will fall.

- Cut downward and away from your body.
- Make the cut close to the main branch or tree body.

Vertical cutting

The tool allows close cutting to corners and other difficult areas.

- Insert the shank of the saw blade into the blade holder with the teeth of the blade facing upward.
- Hold the tool with the shoe (1) facing downward so that you are as close to the work surface as possible.
- Cut forward and away from your body.

Accessories

The performance of your tool depends on the accessory used. STANLEY FATMAX accessories are engineered to high quality standards and designed to enhance the performance of your tool. By using these accessories you will get the very best from your tool.

Blades

The saw will accept a blade up to 305 mm long. Always use the shortest blade suitable for your project but long enough to keep the blade cutting through the material. Longer blades are more likely to be bent or damaged during use. During operation some longer blades may vibrate or shake if the saw is not kept in contact with the workpiece.

Maintenance

Your STANLEY FATMAX tool has been designed to operate over a long period of time with a minimum of maintenance. Continuous satisfactory operation depends upon proper tool care and regular cleaning.



Warning! Before performing any maintenance on the tool, unplug the tool.

- Regularly clean the ventilation slots in your tool using a soft brush or dry cloth.
- Regularly clean the motor housing using a damp cloth. Do not use any abrasive or solvent-based cleaner.

Mains plug replacement (U.K. & Ireland only)

If a new mains plug needs to be fitted:

- Safely dispose of the old plug.
- Connect the brown lead to the live terminal in the new plug.
- Connect the blue lead to the neutral terminal.



Warning! No connection is to be made to the earth terminal. Follow the fitting instructions supplied with good quality plugs. Recommended fuse: 10 A.

Protecting the environment



Separate collection. Products and batteries marked with this symbol must not be disposed of with normal household waste.

Products and batteries contain materials that can be recovered or recycled, reducing demand for raw materials. Please recycle electrical products and batteries according to local provisions. Further information is available at www.2helpU.com

Technical data

		FME360/FME365 (Type 1)
Input voltage	V _{ac}	230
Power input	W	900/1050
No-load speed (SPM)	min ⁻¹	0 - 3500
Max. blade length	mm	305
Weight	kg	3.5

L_{pa} (sound pressure) 87 dB(A), Uncertainty (K) 5 dB(A)

L_{wa} (sound power) 98 dB(A), Uncertainty (K) 5 dB(A)

Vibration total values (triax vector sum) according to EN62841:

Cutting wooden boards (a_{h,1}) 14.7 m/s², uncertainty (K) 1.5 m/s²

Cutting wooden beams (a_{h,2}) 15.8 m/s², uncertainty (K) 1.5 m/s²

EC declaration of conformity

MACHINERY DIRECTIVE



FME360/FME365 reciprocating saw

STANLEY FATMAX declares that these products described under "technical data" are in compliance with:
EN62841-1:2015, EN62841-2-11:2016.

These products also comply with Directive 2006/42/EC, 2014/30/EU and 2011/65/EU. For more information, please contact STANLEY FATMAX at the following address or refer to the back of the manual.

The undersigned is responsible for compilation of the technical file and makes this declaration on behalf of STANLEY FATMAX .

A. P. Smith

Technical Director of Engineering
STANLEY FATMAX Europe, Egide Walschaertsstraat14-18,
2800 Mechelen, Belgium
14/01/2019

Guarantee

STANLEY FATMAX is confident of the quality of its products and offers consumers a 12 month guarantee from the date of purchase. This guarantee is in addition to and in no way prejudices your statutory rights. The guarantee is valid within the territories of the Member States of the European Union

and the European Free Trade Area.

To claim on the guarantee, the claim must be in accordance with STANLEY FATMAX Terms and Conditions and you will need to submit proof of purchase to the seller or an authorised repair agent.

Terms and conditions of the STANLEY FATMAX 1 year guarantee and the location of your nearest authorised repair agent can be obtained on the Internet at www.2helpU.com, or by contacting your local STANLEY FATMAX office at the address indicated in this manual.

Please visit our website www.stanleytools.eu/3 to register your new STANLEY FATMAX product and receive updates on new products and special offers.

Назначение

Ваша сабельная пила STANLEY FATMAX FME360/ FME365 предназначена для распила дерева, пластмассы и листового металла. Данный инструмент предназначен для профессионального использования, а также для бытового использования частными пользователями.

Правила техники безопасности

Общие правила техники безопасности при работе с электроинструментом



Внимание! Прочтите все правила техники безопасности, инструкции, иллюстрации и спецификации по данному электроинструменту. Несоблюдение всех приведенных ниже инструкций может стать причиной поражения электрическим током, возгорания и/или тяжелой травмы.

Сохраните все инструкции для последующего обращения к ним. Термин «электроинструмент» во всех приведенных ниже предупреждениях относится к питаемому от электросети (проводному) или от аккумуляторных батарей (беспроводному) электроинструменту.

1. **Безопасность на рабочем месте**
 - a. Следите за чистой и хорошим освещением на рабочем месте. Беспорядок или плохое освещение на рабочем месте могут стать причиной несчастного случая.
 - b. **Запрещается работать с электроинструментами во взрывоопасных местах, например, вблизи легковоспламеняющихся жидкостей, газов и пыли.** Искры, которые появляются при работе электроинструментов могут привести к воспламенению пыли или паров.
 - c. Следите за тем, чтобы во время работы с электроинструментом в зоне работы не было посторонних и детей. Отвлекаясь от работы вы можете потерять контроль над инструментом.
2. **Электробезопасность**
 - a. Штепсельная вилка электроинструмента должна соответствовать розетке. **Никогда не меняйте вилку инструмента.** Запрещается использовать переходники к вилкам для электроинструментов с заземлением. Использование оригинальных штепсельных вилок, соответствующих типу сетевой розетки снижает риск поражения электрическим током.
 - b. Избегайте контакта с заземленными поверхностями, такими как трубы, радиаторы и холодильники. Если вы будете заземлены, увеличивается риск поражения электрическим током.
 - c. **Запрещается оставлять электроинструмент под дождем и в местах повышенной влажности.** При попадании воды в электроинструмент риск поражения электротоком возрастает.
 - d. **Берегите кабель от повреждений. Никогда не используйте кабель для переноски электроинструмента, не тяните за него, пытайтесь отключить инструмент от сети. Держите кабель подальше от источников тепла, масла, острых углов или движущихся предметов.** Поврежденный или запутанный кабель питания повышает риск поражения электрическим током.
 - e. **При работе с электроинструментом на открытом воздухе используйте удлинитель, подходящий для использования на улице.** Использование кабеля питания, предназначенного для использования вне помещения, снижает риск поражения электрическим током.
 - f. **Если использование электроинструмента в условиях повышенной влажности неизбежно, используйте устройство защитного отключения (УЗО) для защиты сети.** Использование УЗО снижает риск поражения электрическим током.
3. **Обеспечение индивидуальной безопасности**
 - a. При работе с электроинструментом сохраняйте бдительность, следите за своими действиями и руководствуйтесь здравым смыслом. **Запрещается работать с электроинструментом в состоянии усталости, наркотического, алкогольного опьянения или под воздействием лекарственных препаратов.** Невнимательность при работе с электроинструментом может привести к серьезным травмам.
 - b. **Используйте средства индивидуальной защиты. Всегда надевайте защитные очки.** Средства защиты, такие как пылезащитная маска, обувь на нескользящей подошве, каска и защитные наушники, используемые при работе, уменьшают риск получения травм.
 - c. **Примите меры для предотвращения случайного включения. Перед тем как подключить электроинструмент к сети и/или аккумуляторной батарее, возьмите инструмент или перенесите его в другое место, убедитесь в том, что выключатель находится в положении «Выкл.».** Если при переноске электроинструмента он подключен к сети, и при этом ваш палец находится на выключателе, это может стать причиной несчастных случаев.
 - d. **Уберите все регулировочные или гаечные ключи перед включением электроинструмента.** Ключ, оставленный на вращающейся части электроинструмента, может травмировать.

- е.** Не пытайтесь дотянуться до слишком удаленных поверхностей. Всегда твердо стойте на ногах, сохраняя равновесие. Это позволит лучше контролировать электроинструмент в непредвиденных ситуациях.
- ф.** Одевайтесь соответствующим образом. Не носите свободную одежду и ювелирные украшения. Следите за тем, чтобы волосы и одежда не попадали под движущиеся детали. Возможно наматывание свободной одежды, ювелирных изделий и длинных волос на движущиеся детали.
- г.** При наличии устройств для подключения оборудования для удаления и сбора пыли необходимо обеспечить правильность их подключения и эксплуатации. Использование устройства для пылеудаления сокращает риски, связанные с пылью.
- h.** Не позволяйте хорошему знанию от частого использования инструментов стать причиной самонадеянности и игнорирования правил техники безопасности. Небрежное действие может повлечь серьезные травмы за долю секунды.
- 4. Эксплуатация электроинструмента и уход за ним**
- а.** Избегайте чрезмерной нагрузки электроинструмента. Используйте электроинструмент в соответствии с назначением.
Правильно подобранный электроинструмент выполнит работу более эффективно и безопасно при стандартной нагрузке.
- б.** Не пользуйтесь инструментом, если не работает выключатель. Любой инструмент, управляемый выключением и включением которого невозможно, опасен, и его необходимо отремонтировать.
- с.** Перед выполнением любых настроек, сменой дополнительных принадлежностей или прежде чем убрать инструмент на хранение, отключите его от сети и/или снимите с него аккумуляторную батарею, если ее можно снять. Такие превентивные меры безопасности сокращают риск случайного включения электроинструмента.
- д.** Храните электроинструмент в недоступном для детей месте и не позволяйте работать с инструментом людям, не имеющим соответствующих навыков работы с такого рода инструментами. Электроинструмент представляет опасность в руках неопытных пользователей.
- е.** Поддерживайте электроинструмент и принадлежности в исправном состоянии. Проверьте движущиеся детали на точность совмещения или заклинивание, наличие поломок или каких-либо других условий, которые могут повлиять на эксплуатацию электроинструмента. В случае обнаружения повреждений, прежде чем приступить к эксплуатации электроинструмента, его следует отремонтировать. Большинство несчастных случаев происходит из-за электроинструментов, которые не обслуживаются должным образом.
- ф.** Следите за остротой заточки и чистотой режущих принадлежностей. Вероятность заклинивания инструмента, за которым следят должным образом и который хорошо заточен, значительно меньше, а работать с ним легче.
- г.** Используйте данный электроинструмент, а также дополнительные принадлежности и насадки инструмента в соответствии с данными инструкциями и с учетом условий и специфики работы.
Использование электроинструмента для выполнения операций, для которых он не предназначен, может привести к опасной ситуации.
- h.** Следите, чтобы рукоятки и поверхности захвата оставались сухими, чистыми и не содержали следов масла и консистентной смазки. Скользкие рукоятки и поверхности захватывания не позволяют обеспечить безопасность работы и управления инструментом в непредвиденных ситуациях.
- 5. Сервисное обслуживание**
- а.** Обслуживание электроинструмента должен проводить квалифицированный специалист с использованием только оригинальных запасных частей. Это обеспечивает безопасность обслуживаемого электроинструмента.
- Дополнительные правила безопасности при работе электроинструментом**
- Держите инструмент за изолированные ручки при выполнении операций, во время которых режущий элемент может соприкоснуться со скрытой проводкой или собственным кабелем. Контакт с проводом под напряжением приводит к подаче напряжения на соприкасающиеся с ним металлические детали электроинструмента и к поражению оператора электрическим током.

- **Используйте зажимы или другие уместные средства фиксации заготовки на стабильной опоре.** Если держать заготовку руками или с упором в собственное тело, то можно потерять контроль над инструментом или заготовкой.
- **Держите руки подальше от зоны разреза.** Никогда не наклоняйтесь над заготовкой. Не держите пальцы вблизи пильного полотна и его зажима. Не пытайтесь стабилизировать положение сабельной пилы, удерживая ее за подошву.
- **Следите за остротой заточки пильных полотен.** Тупые или поврежденные полотна могут привести к тому, что пила отклонится или заклинит под давлением. Всегда используйте полотна соответствующего типа для разных рабочих деталей и типа распила.
- **При распиле трубы или трубопровода убедитесь в том, что в них нет воды, не проходит электропроводка и т. п.**
- **Не трогайте заготовку и полотно сразу после того как закончите работу.** Они могут сильно нагреваться.
- **Перед тем, как делать отверстия в стенах, полах или потолках, проверьте места прохождения проводки и трубопроводов.**
- **Полотно продолжает двигаться после того, как будет отпущен спусковой выключатель.** Всегда выключайте инструмент и подождите, пока пильное полотно полностью остановится перед тем, как положить инструмент.



Внимание! Контакт или вдыхание пыли, которая может образоваться при распиле, представляет опасность здоровью оператора и тех, кто находится поблизости. Надевайте пылезастытную маску, которая специально предназначена для защиты от пыли и испарений, и обеспечивает защиту для людей, выполняющих данные работы или находящихся в зоне проведения работ.

- Далее в руководстве приводятся виды работ, для которых предназначен данный инструмент. Использование любых принадлежностей или приспособлений, а также выполнение данным инструментом любых видов работ, не рекомендованных данным руководством по эксплуатации, может привести к несчастному случаю и/или повреждению личного имущества.

Безопасность окружающих

- Данный инструмент не предназначен для использования лицами (включая детей) с ограниченными физическими, сенсорными или умственными способностями, а также лицами без достаточного опыта и знаний, если они не

находятся под наблюдением лица, отвечающего за их безопасность, или не получают от такого лица указания по использованию инструмента.

- Не позволяйте детям играть с данным инструментом.

Остаточные риски

При работе с инструментом возможно возникновение дополнительных остаточных рисков, которые не вошли в описанные здесь правила техники безопасности. Это может произойти при неправильной эксплуатации или продолжительном использовании инструмента и т. п. Несмотря на соблюдение соответствующих инструкций по технике безопасности и использование предохранительных устройств, некоторые остаточные риски невозможно полностью исключить. К ним относятся:

- Травмы в результате касания вращающихся/движущихся частей.
- Травмы, которые могут произойти в результате смены деталей, лезвий или аксессуаров.
- Травмы, связанные с продолжительным использованием инструмента. При использовании любого инструмента в течение продолжительного периода времени не забывайте делать перерывы.
- Ухудшение слуха.
- Ущерб здоровью в результате вдыхания пыли в процессе работы с инструментом (например, при обработке древесины, в особенности, дуба, бука и МДФ.)

Вибрация

Заявленные значения вибрации, указанные в технических спецификациях и заявлении о соответствии, были измерены в соответствии со стандартным методом тестирования EN62841 и пригодны для сравнения инструментов. Приведенные значения уровня вибрации могут также использоваться для предварительной оценки величины вибрационного воздействия.



Внимание! Значения вибрационного воздействия при работе с электроинструментом зависят от вида работ, выполняемых данным инструментом, и могут отличаться от заявленных значений.

Уровень вибрации может быть выше заявленного.

При оценке уровня вибрации для определения меры безопасности, предусмотренного 2002/44/ЕС для защиты людей, регулярно пользующихся электроинструментом при работе, нужно принимать во внимание уровень вибрации, реальные условия использования и способ использования инструмента, а также учитывать все этапы цикла работы – когда инструмент выключается, когда он работает на холостом ходу, а также время переключения с одного режима на другой.

Условные обозначения на инструменте

Помимо кода даты на инструменте имеются следующие знаки:



Внимание! Во избежание риска получения травм прочтите руководство по эксплуатации.

Электробезопасность



Данный инструмент имеет двойную изоляцию, поэтому заземление не требуется. Необходимо обязательно убедиться в том, что напряжение источника питания соответствует указанному на шильдике электроинструмента.

- При повреждении замените его у производителя или в официальном сервисном STANLEY FATMAX во избежание рисков.

Использование удлинительного кабеля

Всегда используйте только утвержденные удлинительные кабели, рассчитанные на потребляемую мощность данного изделия (см. технические характеристики). Удлинительный кабель должен быть пригоден для использования вне помещений и промаркирован соответствующим образом. Без потери производительности изделия можно использовать до 30 м 1,5 мм² удлинительного кабеля HO5VV-F. Перед использованием проверьте удлинительный кабель на наличие повреждений, износа или старения. Замените удлинительный кабель, если он поврежден или неисправен. При использовании кабельного барабана всегда полностью разматывайте кабель.

Составные части

Инструмент может содержать все или некоторые из перечисленных ниже составных частей.

1. Регулируемая подошва
2. Зажимное кольцо держателя пильного полотна
3. Переключатель маятникового хода
4. Пусковой выключатель с регулировкой скорости
5. Отпирающая кнопка подошвы

Сборка



Внимание! Перед выполнением любой из следующих операций убедитесь, что электроинструмент выключен и отсоединен от электросети, и что пильное полотно остановлено. Полотно после работы может сильно нагреваться.

Установка пильного полотна (Рис. В)

- Удерживайте инструмент, отвернув его от себя
- Поверните зажимное кольцо держателя полотна (2).
- Вставьте в зажимное кольцо держателя (2) хвостовик пильного полотна (6) до упора.
- Отпустите зажимное кольцо держателя (2), фиксируя пильное полотно на месте.

Примечание: Полотно можно установить зубцами вверх для резки заподлицо

Извлечение пильного полотна (Рис. В)



Внимание! Опасность ожога: Не прикасайтесь к полотну непосредственно после использования. Соприкосновение с полотном может привести к травме.

- Поверните зажимное кольцо держателя (2) в положение расцепления
- Извлеките полотно (6)

Регулируемая подошва (Рис. С)

Подошва (1) может регулироваться для ограничения глубины пропила.

- Нажмите на отпирающую кнопку подошвы (5)
- Передвиньте подошву (1) в желаемое положение



Внимание! Во избежание потери контроля над инструментом во время работы, никогда не используйте инструмент без установленной подошвы.

Эксплуатация

Включение и выключение (Рис. D)

Пусковой выключатель с регулировкой скорости позволяет работать с разными скоростями для наилучшего распила различных материалов.

- Чтобы включить инструмент, нажмите на пусковой выключатель с регулировкой скорости (4).
- Чтобы выключить инструмент, отпустите пусковой выключатель с регулировкой скорости (4).

Переключатель маятникового хода (Рис. E)

Модель FME360/FME365 обладает двумя типами движения пильного полотна: прямое возвратно-поступательное движение и круговое движение.

Прямое возвратно-поступательное движение используется при резке любых металлов, а также при пилении древесины, когда предпочтение отдается аккуратности распила, а не высокой скорости.

- Для настройки пилы на прямое возвратно-поступательное движение, передвиньте переключатель в положение напротив символа



Круговое движение используется для быстрого пиления древесины.

- Для настройки пилы на круговое движение, передвиньте переключатель в положение напротив символа

Пиление (Рис. А)

- Всегда удерживайте инструмент обеими руками.
- Перед выполнением реза дайте пильному полотну поработать без нагрузки в течение нескольких секунд.
- При распиле прикладывайте к инструменту только легкое усилие.

- По возможности прижимайте подошву (1) к поверхности обрабатываемой детали. Это позволит улучшить управление инструментом и уменьшает вибрацию, а также предупреждает повреждение полотна.

другой неустойчивой поверхности. Следите за тем, куда падают ветви.

- Режьте ветви в направлении вниз и от себя.
- Делайте рез вплотную к основной ветви или стволу дерева.

Советы по оптимальному использованию Распил дерева

- Надежно закрепите заготовку и удалите из нее все гвозди и другие металлические предметы.
- Выполняйте распил, удерживая пилу обеими руками. Подошву (1) при этом следует плотно прижимать к заготовке.

Пиление заподлицо

Компактная конструкция корпуса двигателя сабельной пилы и наличие поворотной подошвы позволяют производить пиление вплотную к полу, углам и на других сложных участках.

Для повышения эффективности при пилении заподлицо:

- Вставьте хвостовик пильного полотна в зажимной рычаг, повернув полотно зубьями вверх.
- Для максимального доступа к обрабатываемой поверхности переверните пилу нижней стороной вверх.

Пиление металла

Учитывайте, что распил металла занимает гораздо больше времени, чем распил древесины.

- Используйте пильное полотно, предназначенное для пиления металла. Используйте полотно с мелкими зубьями для черных металлов и полотна с более крупными зубьями для цветных металлов.
- Для пиления тонколистового металла, прикрепите деревянную панель к обратной стороне заготовки и выполняйте распил получившейся сэндвич-панели.
- Нанесите масляную пленку вдоль предполагаемой линии распила.

Выпиливание пазов в дереве

- Произведите замеры и нанесите разметку для резки.
- Установите пильное полотно, подходящее для врезного пиления.
- Установите подошву пилы (1) на заготовку таким образом, чтобы полотно находилось под нужным углом для врезного пиления.
- Включите инструмент и медленно введите полотно в заготовку. Проследите за тем, чтобы подошва (1) все время опиралась на заготовку.

Обрезание ветвей

Этим инструментом можно резать ветви диаметром до 25 мм.



Внимание! Не используйте этот инструмент, работая на дереве, на лестнице или на любой

Вертикальный распил

Этот инструмент позволяет выполнять распилы вплотную к углам и в других труднодоступных местах.

- Вставьте хвостовик пильного полотна в держатель, повернув полотно зубьями вверх.
- Держите инструмент подошвой (1) вниз, максимально обеспечивая доступ к обрабатываемой поверхности.
- Режьте в направлении вперед и от себя.

Дополнительные принадлежности

Производительность вашего инструмента напрямую зависит от используемых принадлежностей.

Дополнительные принадлежности STANLEY FATMAX разработаны по самым высоким стандартам и предназначены для улучшения характеристик работы инструмента. Используя эти принадлежности, вы достигнете наилучших результатов в работе.

Пильные полотна

На пилу можно устанавливать пильные полотна длиной до 305 мм. Всегда используйте самые короткие полотна, подходящие для конкретной задачи, но достаточно длинные для того, чтобы выполнять распил. Чем длиннее полотно, тем выше вероятность того, что оно погнется или повредится во время использования. Во время работы некоторые полотна могут вибрировать или дрожать, если пила не соприкасается с заготовкой.

Техническое обслуживание

Ваш инструмент STANLEY FATMAX имеет длительный срок эксплуатации и требует минимальных затрат на техобслуживание. Для длительной безотказной работы необходимо обеспечить правильный уход за инструментом и его регулярную чистку.



Внимание! Перед выполнением технического обслуживания или чистки инструмента отключите инструмент от сети.

- Регулярно очищайте вентиляционные отверстия инструмента с помощью мягкой щетки или сухой тканевой салфетки.
- Регулярно очищайте корпус двигателя влажной тканью.

Не используйте никакие абразивные чистящие средства или средства на основе растворителей.

Замена штепсельной вилки (только для Великобритании и Ирландии)

Если нужно установить штепсельную вилку:

- Осторожно снимите старую вилку.

- Подсоедините коричневый провод к терминалу фазы в новой вилке.
- Подсоедините синий провод к нулевому терминалу.



Внимание! Заземление не требуется. Соблюдайте инструкции по установке вилок высокого качества. Рекомендованный предохранитель: 10 А.

Защита окружающей среды



Отдельная утилизация. Изделия и аккумуляторные батареи с данным символом на маркировке запрещается утилизировать с обычными бытовыми отходами.

Изделия и аккумуляторные батареи содержат материалы, которые могут быть извлечены или переработаны, снижая потребность в исходном сырье. Пожалуйста, утилизируйте электрические изделия и аккумуляторные батареи в соответствии с местными нормами. Дополнительная информация доступна по адресу www.2helpU.com

Технические характеристики

		FME360/FME365 (Тип 1)
Входное напряжение	V _{ном. макс.}	230
Потребляемая мощность	Вт	900/1050
Скорость на холостом ходу (ход./мин)	мин ⁻¹	0–3500
Макс. длина полотна	мм	305
Вес	кг	3,5

L _в (звуковое давление) 87 дБ(А), погрешность (К) 5 дБ(А)
L _м (акустическая мощность) 98 дБ(А), погрешность (К) 5 дБ(А)
Сумма величин вибрации (сумма векторов по трем осям), измеренных в соответствии со стандартом EN62841:
Распил деревянных досок (a _h) 14,7 м/с, погрешность (К) 1,5 м/с
Распил деревянных балок (a _л) 15,8 м/с, погрешность (К) 1,5 м/с

Заявление о соответствии нормам ЕС ДИРЕКТИВА ПО МЕХАНИЧЕСКОМУ ОБОРУДОВАНИЮ



FME360/FME365 Сабельная пила

STANLEY FATMAX заявляет, что продукция, описанная в

разделе «Технические характеристики» соответствует: EN62841-1:2015, EN62841-2-11:2016.

Эти изделия также соответствуют Директивам 2006/42/ЕС, 2014/30/EU и 2011/65/EU. За дополнительной информацией обращайтесь в компанию STANLEY FATMAX по адресу, указанному ниже или приведенному на задней стороне обложки руководства.

Нижеподписавшийся несет ответственность за составление технической документации и составил данную декларацию по поручению компании STANLEY FATMAX.

А. П. Смит (A. P. Smith)

Технический директор инженерного отдела
STANLEY FATMAX Europe, Egide Walschaertsstraat 14-18,
2800 Mechelen, Бельгия
14.01.2019

Гарантия

STANLEY FATMAX с уверенностью в качестве своей продукции предлагает клиентам гарантию на 12 месяцев с момента покупки. Данная гарантия является дополнительной и ни в коей мере не направлена на ущемление ваших юридических прав. Гарантия действует на территории стран-участниц Европейского союза и в Европейской зоне свободной торговли.

Чтобы подать заявку по гарантии, заявка должна соответствовать положениям и условиям STANLEY FATMAX, кроме того, вам потребуется предъявить продавцу или авторизованному специалисту по ремонту подтверждение покупки.

Положения и условия гарантии STANLEY FATMAX на 1 год и местонахождение ближайшего авторизованного специалиста по ремонту можно узнать через Интернет по адресу www.2helpU.com, или связавшись с местным представительством STANLEY FATMAX по адресу, указанному в данном руководстве. Посетите наш веб-сайт www.stanleytools.eu/3, чтобы зарегистрировать свое новое изделие STANLEY FATMAX и получать информацию о новинках и специальных предложениях.

Дополнительная информация:

Дату изготовления (код даты) указан на корпусе инструмента. Код даты, который так же включает год изготовления, отштампован на поверхности корпуса изделия. Пример: 2021 46 XX, где 2021 – год изготовления, 46-неделя изготовления, XX – код завода изготовителя.



Приложение к руководству по эксплуатации электрооборудования для определения месяца производства по номеру текущей календарной недели года

Электрооборудование торговых марок "Dewalt", "Stanley", "Stanley FatMAX", "BLACK+DECKER".

Директивы 2014/30/EU ЕВРОПЕЙСКОГО ПАРЛАМЕНТА И СОВЕТА от 26 февраля 2014 г. "О гармонизации законодательств Государств-членов ЕС в области электромагнитной совместимости", 2006/42/ЕС ЕВРОПЕЙСКОГО ПАРЛАМЕНТА И СОВЕТА от 17 мая 2006 г. "О машинах и оборудовании"; 2014/35/EU ЕВРОПЕЙСКОГО ПАРЛАМЕНТА И СОВЕТА от 26 февраля 2014 г. "О гармонизации законодательств государств-членов в области размещения на рынке электрооборудования, предназначенного для использования в определенных пределах напряжения". Серийный выпуск.

ТОВАР СЕРТИФИЦИРОВАН

Орган по сертификации "РОСТЕСТ- Москва", Адрес: 119049, г. Москва, улица Житная, д. 14, стр. 1; 117418, Москва, Нахимовский просп., 31 (фактический), Телефон: (499) 1292311, (495) 6682893, Факс: (495) 6682893, E-mail: office@rostest.ru
Изготовитель: Изготовитель: Блэк энд Деккер Холдингс ГмбХ, Германия, 65510, Идштайн, ул. Блэк энд Деккер, 40, тел. +496126212790.

Уполномоченное изготовителем юр.лицо:

ООО "Стэнли Блэк энд Деккер", 117485, город Москва, улица Обручева, дом 30/1, строение 2
Телефон: + 7 (495) 258-3981, факс: + 7 (495) 258-3984, E-mail: inbosh@dewalt.com
Сведения о импортере указаны в сопроводительной документации и/или на упаковке

Хранение.

Необходимо хранить в сухом месте, вдали от источников повышенных температур и воздействия солнечных лучей. При хранении необходимо избегать резкого перепада температур. Хранение без упаковки не допускается

Срок службы.

Срок службы изделия составляет 5 лет. Не рекомендуется к эксплуатации по истечении 5 лет хранения с даты изготовления без предварительной проверки.

Дата изготовления (код даты) указана на корпусе инструмента. Код даты, который также включает год изготовления, оштампован на поверхности корпуса изделия.

Пример:

2014 46 XX, где 2014 –год изготовления, 46-неделя изготовления. Определить месяц изготовления по указанной неделе изготовления можно согласно приведенной ниже таблице.

Транспортировка.

Категорически не допускается падение и любые механические воздействия на упаковку при транспортировке. При разгрузке/погрузке не допускается использование любого вида техники, работающей по принципу зажима упаковки.

Перечень критических отказов, возможные ошибочные действия персонала.

Не допускается эксплуатация изделия:

- При появлении дыма из корпуса изделия
 - При повреждении и/или оголенном сетевом кабеле
 - при повреждении корпуса изделия, защитного кожуха, рукоятки
 - при попадании жидкости в корпус
 - при возникновении сильной вибрации
 - при возникновении сильного искрения внутри корпуса
- Критерии предельных состояний.**
- При поврежденном и/или оголенном сетевом кабеле
 - при повреждении корпуса изделия

Месяц	Январь	Февраль	Март	Апрель	Май	Июнь	Июль	Август	Сентябрь	Октябрь	Ноябрь	Декабрь	Год производства
Неделя	1	5	9	14	18	23	27	31	36	40	44	49	2018
	2	6	10	15	19	24	28	32	37	41	45	50	
	3	7	11	16	20	25	29	33	38	42	46	51	
	4	8	12	17	21	26	30	34	39	43	47	52	
Неделя			13		22			35			48		2019
	1	6	10	14	18	23	27	31	36	40	45	49	
	2	7	11	15	19	24	28	32	37	41	46	50	
	3	8	12	16	20	25	29	33	38	42	47	51	
	4	9	13	17	21	26	30	34	39	43	48	52	
Неделя					22			35		44			2020
	1	6	10	14	19	23	27	32	36	40	45	49	
	2	7	11	15	20	24	28	33	37	41	46	50	
	3	8	12	16	21	25	29	34	38	42	47	51	
	4	9	13	17	22	26	30	35	39	43	48	52	
Неделя				18			31		44				2021
	2	6	10	14	19	23	27	32	36	41	45	49	
	3	7	11	15	20	24	28	33	37	42	46	50	
	4	8	12	16	21	25	29	34	38	43	47	51	
	5	9	13	17	22	26	30	35	39	44	48	52	
Неделя				18			31		40			1	2022
	2	6	10	15	19	23	28	32	36	41	45	49	
	3	7	11	16	20	24	29	33	37	42	46	50	
	4	8	12	17	21	25	30	34	38	43	47	51	
	5	9	13	18	22	26	31	35	39	44	48	52	
		14			27			40				1	

STANLEY
FATMAX

ГАРАНТИЙНЫЙ ТАЛОН

3 ГОДА
ГАРАНТИИ

1. Поздравляем Вас с покупкой высококачественного изделия STANLEY FATMAX и выражаем признательность за Ваш выбор.
2. При покупке изделия требуйте проверки его комплектности и исправности в Вашем присутствии, инструкцию по эксплуатации и заполненный Гарантийный талон на русском языке. В гарантийном талоне должны быть внесены: модель, дата продажи, серийный номер, дата производства инструмента; название, печать и подпись торговой организации. При отсутствии у Вас правильно заполненного Гарантийного талона, а также несоответствия указанных в нем данных, мы будем вынуждены отклонить Ваши претензии по качеству данного изделия.
3. Во избежание недоразумений, убедительно просим Вас перед началом работы с изделием внимательно ознакомиться с инструкцией по его эксплуатации. Правовой основой настоящих гарантийных условий является действующее Законодательство. Гарантийный срок на данное изделие составляет 36 месяцев и исчисляется со дня продажи. В случае устранения недостатков изделия, гарантийный срок продлевается на период его нахождения в ремонте. Срок службы изделия составляет 5 лет со дня продажи.
4. В случае возникновения каких-либо проблем в процессе эксплуатации изделия рекомендуем Вам обращаться только в уполномоченные сервисные центры STANLEY FATMAX, адреса и телефоны которых Вы сможете найти на сайте www.2helpU.com или узнать в магазине. Наши сервисные станции - это не только квалифицированный ремонт, но и широкий ассортимент запчастей и принадлежностей.
5. Производитель рекомендует проводить периодическую проверку и техническое обслуживание изделия в уполномоченных сервисных центрах.
6. Наши гарантийные обязательства распространяются только на неисправности, выявленные в течение гарантийного срока и вызванные дефектами производства и / или материалов.
7. Гарантийные условия не распространяются на неисправности изделия, возникшие в результате:
 - 7.1. Несоблюдения пользователем предписаний инструкции по эксплуатации изделия, применения изделия не по назначению, неправильному хранении, использовании принадлежностей, расходных материалов и запчастей, не предусмотренных производителем.
 - 7.2. Механического повреждения (сколы, трещины и разрушения) внутренних и внешних деталей изделия, основных и вспомогательных рукояток, сетевого электрического кабеля, вызванного внешним ударным или любым иным воздействием.
 - 7.3. Попадания в вентиляционные отверстия и проникновение внутрь изделия посторонних предметов, материалов или веществ, не являющихся отходами, сопровождающим применение изделия по назначению, такими как: стружка, опилки, песок, и пр.
 - 7.4. Воздействий на изделие неблагоприятных атмосферных и иных внешних факторов, таких как дождь, снег, повышенная влажность, нагрев, агрессивные среды, несоответствие параметров питающей электросети, указанных на инструменте.
 - 7.5. Стихийного бедствия. Повреждение или утрата изделия, связанное с непредвиденными бедствиями, стихийными явлениями, в том числе вследствие действия непреодолимой силы (пожар, молния, потоп и другие природные явления), а также вследствие перепадов напряжения в электросети и других причин, которые находятся вне контроля производителя.
8. Гарантийные условия не распространяются:
 - 8.1. На инструменты, подвергавшиеся вскрытию, ремонту или модификации вне уполномоченного сервисного центра.
 - 8.2. На детали и узлы, имеющие следы естественного износа, такие как: приводные ремни и колеса, угольные щетки, смазка, подшипники, зубчатое зацепление редукторов, резиновые уплотнения, сальники, направляющие ролики, муфты сцепления, бойки, толкатели, стволы, и т.п.
 - 8.3. На сменные и расходные части: цанги, зажимные гайки и фланцы, фильтры, ножи, шлифовальные подошвы, цепи, звездочки, пильные шины, защитные кожухи, пилки, абразивы, пильные и абразивные диски, фрезы, сверла, буры и т.п.
 - 8.4. На неисправности, возникшие в результате перегрузки инструмента (как механической, так и электрической), повлекшей выход из строя одновременно двух и более деталей и узлов, таких как ротора и статора, обеих обмоток статора, ведомой и ведущей шестерни редуктора или других узлов и деталей. К безусловным признакам перегрузки изделия относятся, помимо прочего: появление цветов побежалости, деформация или оплавление деталей и узлов изделия, потемнение или обугливание изоляции проводов электродвигателя под воздействием высокой температуры.

Товар получен в исправном состоянии, без видимых повреждений, в полной комплектации, проверен в моем присутствии, претензий по качеству товара не имею. С условиями гарантийного обслуживания ознакомлен и согласен.

Ф. И. О. и подпись покупателя _____

Уважаемые клиенты, наша сеть авторизованных сервисных центров постоянно расширяется. Актуальную информацию об обслуживании в интересующем вас городе вы можете узнать на сайте

www.2helpU.com

Информация об инструменте

Наименование инструмента	
Модель	
Наименование продавца	
Дата продажи	

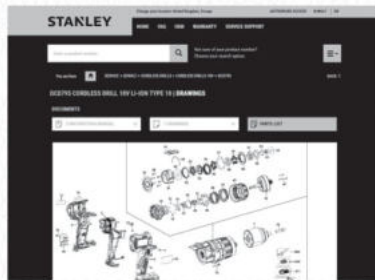
М.П.
Продавца

Серийный номер / Дата производства

Инструмент	
Зарядное устройство	
Аккумулятор 1	
Аккумулятор 2	

На сайте www.2helpU.com доступны следующие функции:

- Список авторизованных сервисных центров
- Удобный поиск ближайшего сервисного центра
- Руководство по эксплуатации
- Технические характеристики
- Список деталей и запасных частей
- Схема сборки инструмента



**Также данную информацию вы можете получить, позвонив по телефону:
8(800) 1000 876**

ОТМЕТКА О ПРОВЕДЕНИИ СЕРВИСНОГО ОБСЛУЖИВАНИЯ

№1	№2	№3	№4
№ заказа	№ заказа	№ заказа	№ заказа
Дата поступления	Дата поступления	Дата поступления	Дата поступления
Дата ремонта	Дата ремонта	Дата ремонта	Дата ремонта
Печать и подпись сервисного центра	Печать и подпись сервисного центра	Печать и подпись сервисного центра	Печать и подпись сервисного центра

Сфера застосування

Ваша ручна пила виробництва компанії Stanley FATMAX FME360/FME365 була розроблена для розпилювання деревини, пластмаси та металу. Цей пристрій призначений для професійного використання, а також для приватних непрофесійних користувачів.

Інструкції з техніки безпеки

Загальні правила безпеки для електричного інструмента



Увага! Ознайомтеся з усіма попередженнями, інструкціями з техніки безпеки, зображеннями та специфікаціями, які поставляються з цим електричним інструментом. Невиконання наведених нижче інструкцій може призвести до ураження електричним струмом, пожежі та/або серйозних травм.

Збережіть всі попередження та інструкції для використання в майбутньому. Термін «електричний інструмент» в усіх наведених нижче попередженнях стосується ваших інструментів, які працюють від електромережі (мають кабель електроживлення) або акумуляторів (без кабелю).

1. Безпека робочої зони

- Робоча зона завжди має бути чистою та добре освітленою.** Захаращена або темна робоча зона призводить до нещасних випадків.
- Не використовуйте електричні інструменти у вибухонебезпечній атмосфері, наприклад поруч із вогнебезпечними рідинами, газами та пилом.** Електричні інструменти створюють іскри, що можуть запалити пил або пару.
- Тримайте дітей та сторонніх спостерігачів подалі під час використання інструмента.** Відвернення уваги може призвести до втрати контролю.

2. Електрична безпека

- Вилка електричного інструмента повинна відповідати розетці. Ніколи жодним чином не змінюйте вилку.**
Не використовуйте адаптери з заземленими електричними інструментами. Немодифіковані вилки та розетки, що підходять до них, зменшують ризик ураження електричним струмом.
- Уникайте контакту тіла з заземленими поверхнями, такими як труби, радіатори, плити та холодильники.** Якщо ваше тіло заземлене, збільшується ризик ураження електричним струмом.
- Не залишайте електричні інструменти під дощем або в умовах підвищеної вологості.** Вода, що потрапляє в електричний інструмент, підвищує ризик ураження електричним струмом.

- Не використовуйте кабель живлення не за призначенням. Ніколи не переносьте, не тягніть та не відключайте електричний інструмент від розетки електроживлення за допомогою шнура. Тримайте шнур подалі від високих температур, мастила, гострих предметів та рухомих деталей.** Пошкоджені або перекручені шнури підвищують ризик ураження електричним струмом.
- При використанні електричного інструмента просто неба використовуйте подовжувальний шнур, що підходить для використання просто неба.** Шнур, що призначений для використання поза приміщенням, знижує ризик ураження електричним струмом.
- Якщо неможливо уникнути використання електричного інструмента в умовах підвищеної вологості, використовуйте живлення, захищене пристроєм з керуванням диференційним струмом (Residual current device, RCD).** Використання RCD знижує ризик ураження електричним струмом.

3. Особиста безпека

- Будьте уважні, дивіться, що ви робите, та будьте розсудливі, працюючи з електричним інструментом.**
Не використовуйте електричний інструмент, коли ви втомлені або знаходитесь під впливом наркотичних речовин, алкоголю або ліків.
Втрата уваги під час роботи з електричним інструментом може призвести до серйозних тілесних ушкоджень.
- Використовуйте особисті засоби безпеки. Завжди використовуйте засоби захисту очей.** Засоби безпеки, такі як протипилова маска, нековзкі безпечні черевики, захисний шолом та засоби захисту слухового апарату при використанні для відповідних умов зменшують імовірність особистих травм.
- Уникайте випадкового запуску. Переконайтесь в тому, що перемикач знаходиться в позиції Вимк., перш ніж підключати інструмент до джерела електроживлення та/або акумулятора, переміщувати або переносити.** Може статися нещасний випадок, коли ви переносите інструмент, тримаючи палець на вимикачі, або підключаєте живлення до вимикача в позиції Увімк.
- Зніміть усі ключі для регулювання або гайкові ключі, перш ніж вмикати електричний інструмент.** Гайковий ключ, що залишився прикріпленим до якоїсь деталі електричного пристрою, що обертається, може призвести до травм.

- e. Не прикладайте надмірних зусиль. Завжди утримуйте правильну постановку ніг і рівновагу. Це дає вам змогу краще контролювати інструмент в неочікуваних ситуаціях.
- f. Одягайтеся відповідним чином. Не вдягайте вільний одяг або прикраси. Тримайте ваше волосся та одяг подалі від рухомих деталей. Вільний одяг, прикраси або довге волосся можуть зачепитися за рухомі деталі.
- g. Якщо передбачені пристрої для підключення до засобів виділення та збирання пилу, переконайтеся, що вони правильно підключені та використовуються. Використання таких пристроїв зменшує ризик виникнення небезпечних ситуацій, що пов'язані з потраплянням пилу.
- h. Навіть якщо ви добре знаєте інструмент та часто його використовуєте, не розслабляйтесь та не забувайте про принципи техніки безпеки. Необережні дії можуть за долю секунди призвести до важких тілесних ушкоджень.
4. Використання електричного інструмента та догляд за ним
- a. Не прикладайте надмірних зусиль під час роботи з інструментом. Використовуйте відповідний електричний інструмент для вашого застосування.
Правильно обраний інструмент виконає завдання краще та безпечніше за умов, для яких він був розроблений.
- b. Не використовуйте інструмент, якщо його неможливо ввімкнути та вимкнути за допомогою вимикача. Будь-який електричний інструмент, яким неможливо керувати за допомогою вимикача, є небезпечним і має бути відремонтований.
- c. Якщо вилка знімна, відключіть її від джерела живлення та/або вийміть акумулятор, перш ніж виконувати будь-які налаштування, змінювати додаткове обладнання або зберігати електроінструмент. Ці профілактичні заходи зменшують ризик випадкового запуску електричного інструмента.
- d. Зберігайте вимкнені електричні інструменти в недоступному для дітей місці та не дозволяйте особам, що не знайомі з електричним інструментом або цими інструкціями, використовувати електричний інструмент.
Електричні інструменти є небезпечними, якщо вони використовуються некваліфікованими користувачами.
- e. Технічне обслуговування електричних інструментів та аксесуарів. Перевіряйте несумісність або заїдання рухомих деталей, наявність ушкоджених частин та інших умов, що можуть впливати на роботу електричного інструмента. Якщо є пошкодження, відремонтуйте електричний інструмент перед використанням. Нещасні випадки часто є результатом того, що інструмент не пройшов відповідного технічного обслуговування.
- f. Різальні інструменти мають бути гострими та чистими. Правильно доглянуті різальні інструменти з гострими різальними кромками мають меншу імовірність заїдання, і ними легше керувати.
- g. Використовуйте електричний інструмент, додаткові інструменти, різці тощо у відповідності до цих інструкцій та відповідно до даного типу електричних інструментів, зважаючи на умови використання та роботу, яка має бути виконана.
Використання електричних інструментів не за призначенням може призвести до виникнення небезпечних ситуацій.
- h. Всі ручки та поверхні для тримання інструменту повинні бути сухими та без залишків мастила. Ковзкі ручки та поверхні для тримання не дозволяють безпечно працювати та контролювати інструмент у неочікуваних ситуаціях.
5. Обслуговування
- a. Для обслуговування вашого електричного інструменту залучайте кваліфікованих спеціалістів з ремонту та використовуйте тільки ідентичні замініні деталі. Це забезпечить безпеку електричного пристрою.

Додаткові правила безпеки для електричного інструмента

- Тримайте інструмент за ізольовану поверхню при виконанні операцій, коли ріжучий інструмент може торкнутися проводки або власного кабелю. У разі контакту різальних елементів з дротом під напругою може з'явитися напруга в металевих деталях інструмента, що може призвести до ураження оператора електричним струмом.
- Використовуйте затискач або інший спосіб закріплення деталі, що оброблюється, на стабільній платформі. Утримування заготовки в руці та притискання її до тіла робить її нестабільною та може призвести до втрати контролю.
- Тримайте руки подалі від ріжучої поверхні. Ніколи не підставляйте руки під заготовку. Не підносьте пальці до пильного полотна із зворотно-поступальним

рухом та до фіксатора пильного полотна. Не намагайтесь зробити пилу більш стійкою, тримаючись за опорну пластину.

- **Ножі повинні бути гострими.** Затуплені або пошкоджені пильні полотна спричиняють відхилення пили від прямої лінії та заїдання під навантаженням. Завжди використовуйте відповідні пильні полотна в залежності від матеріалу заготовки та типу розрізу.
- **Під час розпилювання труб або трубопроводів переконайтесь, що в них немає води, електричних кабелів, тощо.**
- **Не торкайтесь заготовки та пильного полотна відразу після використання інструмента.** Вони можуть бути дуже гарячими.
- **Перед розпилюванням стін, підлоги та стелі пам'ятайте про приховану небезпеку, перевірте розташування кабелів та труб.**
- **Пильне полотно продовжує рухатися після відпускання перемикача.** Перш ніж покласти інструмент, необхідно вимкнути його та зачекати, щоб пильне полотно повністю зупинилося.



Увага! Вдихання пилу, що утворюється при розпилюванні може бути небезпечним для здоров'я оператора та навіть спостерігачів. Необхідно використовувати протипилову маску, яка призначена спеціально для захисту від пилу та випаровувань, та переконайтесь, що особи, які знаходяться в робочій зоні, також використовують засоби захисту.

- Використання за призначенням описане в цьому керівництві з використання. Використання аксесуарів або приладдя, виконання будь-яких дій з інструментом, що суперечать рекомендаціям цієї інструкції, може становити небезпеку травмування людини та/або пошкодження майна.

Безпека оточення

- Цей інструмент не призначений для використання особами (включаючи дітей) із зниженими фізичними, сенсорними або розумовими можливостями або особами, яким бракує досвіду або знань за винятком випадків, коли такі особи працюють під наглядом або отримали інструкції щодо використання пристрою від особи, яка несе відповідальність за їх безпеку.
- Уважно слідкуйте за тим, щоб діти не гралися з пристроєм.

Залишкові ризики

Під час використання інструмента можуть виникнути додаткові залишкові ризики, які не внесені до попереджень щодо техніки безпеки в цьому посібнику. Ці ризики можуть виникнути як результат неправильного використання, тривалого використання, тощо.

Незважаючи на виконання всіх відповідних правил техніки безпеки та використання захисних пристроїв, неможливо

уникнути деяких залишкових ризиків. Сюди належать:

- Травми через контакт з деталями, що рухаються/обертаються.
- Травми при заміні деталей, пильних полотен або аксесуарів.
- Травми через занадто тривале використання інструменту. При використанні будь-якого інструменту протягом тривалого періоду часу не забувайте робити регулярні перерви.
- Порушення слуху.
- Небезпека для здоров'я через вдихання пилу, що утворюється при використанні інструмента (наприклад, при роботі з деревом, особливо з дубом, березою та ДВП).

Вібрація

Значення вібрації, вказані в технічних даних та в декларації про відповідність виміряні з дотриманням стандартних методів тестування, наданих у EN62841, та їх можна використовувати для порівняння одного інструмента з іншим. Задекларовані значення вібрації можна також використовувати для попереднього оцінювання впливу вібрації.



Увага! Значення вібрації під час використання інструмента може відрізнятись від задекларованого в залежності від способів використання інструмента. Рівень вібрації може перевищувати вказані значення.

Оцінюючи вплив вібрації для визначення заходів безпеки за вимогами 2002/44/ЕС, щоб захистити людей, які регулярно використовують інструменти в роботі, необхідно враховувати реальні умови та способи використання інструмента, у тому числі всі періоди робочого циклу, наприклад час, коли інструмент вимкнено та коли він працює в режимі холостого ходу, а також час, потрібний для запуску інструмента.

Написи на інструменті

Наведені нижче символи нанесені на інструмент разом з кодом дати:



Увага! Щоб зменшити ризик травм, користувач повинен прочитати інструкцію з експлуатації.

Електрична безпека



Цей інструмент має подвійну ізоляцію, тому заземлення не є необхідним. Завжди перевіряйте відповідність джерела живлення напруги, яка зазначена на таблиці з паспортними даними.

- Якщо силовий кабель пошкоджений, його необхідно замінити у виробника або в офіційному сервісному центрі STANLEY FATMAX для уникнення небезпеки.

Використання подовжувального кабелю

Завжди використовуйте рекомендований подовжуючий шнур, що відповідає вхідній потужності пристрою (див.

Технічні дані). Подовжувальний шнур повинен підходити для використання на вулиці та повинен мати відповідне маркування. До 30 м подовжуючого шнура з площею перетину 1,5 мм² HO5VV-F можна використовувати без втрати продуктивності роботу виробу. Перед використанням огляньте кабель, щоб виявити ознаки пошкодження, зносу та старіння. Замініть кабель, якщо він пошкоджений або має якісь дефекти. При використанні кабельного барабану завжди витягуйте весь кабель.

Компоненти

Цей інструмент має всі або деякі з нижче перерахованих компонентів.

1. Регульована опора
2. Затискач пильних полотен
3. Перемикач маятникового ходу
4. Перемикач змінної швидкості вкл./викл.
5. Кнопка звільнення опори

Монтаж



Увага! Перед виконанням будь-якої з наступних операцій переконайтесь, що інструмент вимкнений та відключений від мережі живлення, а пильне полотно повністю зупинилося. Пильні полотна, що використовувались, можуть бути гарячими.

Встановлення пильного полотна (рис. В)

- Утримуйте інструмент на відстані від тіла
- Поверніть затискач пильних полотен (2).
- Повністю вставте хвостовик пильного полотна (6) у затискач пильних полотен (2).
- Відпустіть затискач пильного полотна (2), щоб зафіксувати його на місці.

Примітка. Полотно можна встановлювати зубцями догори для полегшення відрізання врівень

Зняття пильного полотна (рис. В)



Увага! Ризик отримання опіку: Не торкайтесь полотна одразу після використання. Контакт з полотном може призвести до травм.

- Поверніть затискач пильного полотна (2) до положення відчеплення
- Зніміть полотно (6)

Регульована опора (рис. С)

Опору (1) можна налаштувати, щоб обмежити глибину розрізу.

- Відпустіть кнопку відпускання розпилювача (5)
- Установіть обмежувач глибини (1) у бажане положення



Увага! Щоб запобігти втраті контролю, ніколи не використовуйте інструмент без опори.

Використання

Увімкнення та вимкнення (мал. D)


Перемикач змінної швидкості дозволяє обирати різні швидкості для полегшення розпилювання в різних матеріалах.

- Для увімкнення інструмента натисніть перемикач змінної швидкості (4).
- Для вимкнення інструмента відпустіть перемикач змінної швидкості (4).


Перемикач маятникового ходу (рис. E)

У FME360/FME365 два типу руху: прямолінійний зворотно-поступальний або орбітальний.

Зворотно-поступальний рух використовується для всіх операцій різання по металу та для застосувань різання деревини, коли результат важливіший за швидкість.

- Для налаштування пили на прямолінійний зворотно-поступальних рух поверніть перемикач вибору у положення, що позначене .

Орбітальний рух використовується для швидкого різання деревини.

- Для налаштування пили на орбітальний рух поверніть перемикач вибору у положення, що позначене .

Розпилювання (рис. А)

- Завжди тримайте інструмент обома руками.
- Полотно повинно спочатку просто попрацювати перед початком різання.
- Застосовуйте лише м'який тиск на інструмент при розпилюванні.
- За можливості притискайте опору пилки (1) до поверхні заготовки. Це покращує контроль над інструментом та зменшує вібрацію, а також дозволяє запобігти пошкодженню пильного диска.

Підказки для оптимального використання

Розпилювання дерева

- Надійно закріпіть заготовку та витягніть з неї всі цвяхи та інші металеві предмети.
- Утримуючи пилку двома руками, притисніть опору пилки (1) до заготовки.

Розпилювання врівень

Компактний дизайн корпусу мотору пилки та поворотної опори дозволяють виконувати розрізи близько біля підлоги, кутів та в інших важкодоступних місцях.

Щоб збільшити можливості різання у площині руху пилки:

- Вставте основу пильного полотна в фіксатор так, щоб зубці були направлені догори.
- Поверніть пилку догори ногами, так вона буде знаходитись якомога ближче до робочої поверхні.

Розпилювання металу

Пам'ятайте, що розпилювання металу займає набагато більше часу, ніж розпилювання деревини.

- Використовуйте спеціальне пильне полотно для металу. Використовуйте пильне полотно з дрібними зубцями для чорних металів та з більшими зубцями для кольорових металів.
- Під час розрізання листового металу прикріпіть шматочок дерева до задньої поверхні заготовки та виконуйте розпил цього «сендвіча».
- Нанесіть шар мастила вздовж передбачуваної лінії розрізу.

Виконання гніздових розрізів в дереві

- Виміряйте та відмітьте необхідний гніздовий розріз.
- Встановіть пильне полотно, що підходить для виконання гніздових розрізів.
- Притисніть опору пили (1) до заготовки таким чином, щоб полотно було під відповідним кутом для гніздового розрізу.
- Увімкніть інструмент та повільно введіть пильне полотно у заготовку. Слідкуйте за тим, щоб опора (1) весь час спиралася на заготовку.

Обрізання гілок

Цим інструментом можна відрізати гілки до 25 мм в діаметрі.



Увага! Не використовуйте цей інструмент, знаходячись на дереві, на драбині або на іншій нестійкій поверхні. Слідкуйте за тим, куди може власти гілка.

- Ріжте у напрямку донизу та від тіла.
- Робіть розріз близько до основної гілки або до стовбура дерева.

Вертикальне різання

Інструментом можна робити розрізи близько до кутів та інших важкодоступних місць.

- Вставте хвостовик пильного полотна в тримач так, що зубці були направлені догори.
- Тримайте інструмент так, щоб опора (1) була направлена донизу, тобто знаходилась якомога ближче до робочої поверхні.
- Ріжте у напрямку вперед та від тіла.

Приладдя

Продуктивність роботи інструмента залежить від приладдя, яке ви використовуєте. Витратні матеріали виробництва компанії Stanley FATMAX розроблені з дотриманням високих стандартів якості та створені для підвищення ефективності використання вашого інструмента. Використовуючи це обладнання, ви отримаєте максимум ефективності від вашого інструменту.

Пильні полотна

В пилку можна вставляти пильні полотна довжиною до 305 мм. Завжди використовуйте якомога коротше пильне полотно, що підходить для виконання певного завдання, але достатньо довге для того, щоб воно могло розпилити певний матеріал. Більш довгі полотна частіше згинаються та пошкоджуються під час використання. Під час роботи довші полотна можуть сильніше вібрувати, якщо пилка не торкається заготовки.

Технічне обслуговування

Ваш інструмент виробництва компанії STANLEY FATMAX призначений для роботи протягом тривалого часу з мінімальним обслуговуванням. Довга задовільна робота приладу залежить від належного обслуговування інструмента та регулярного його очищення.



Увага! При виконанні будь-якого обслуговування інструмента, відключіть його від мережі живлення.

- Регулярно очищуйте вентиляційні отвори інструмента, використовуючи м'яку щітку чи суху тканину.
- Регулярно очищуйте корпус двигуна вологою тканиною.

Не використовуйте абразивні очищувачі та засоби, що містять розчинники.

Заміна шнура живлення (тільки для Великої Британії та Ірландії)

Якщо потрібно встановити нову вилку живлення:

- Зніміть стару вилку та утилізуйте її, дотримуючись правил техніки безпеки.
- Приєднайте коричневий провідник до активного виходу нової вилки.
- Приєднайте блакитний провідник до нейтрального виходу.



Увага! Жоден провід не повинен бути підключений до клеми заземлення. Дотримуйтесь інструкцій щодо встановлення, які постачаються з якісними вилками. Плавкий запобіжник, що рекомендується: 10 А.

Захист навколишнього середовища



Роздільний збір. Пристрої та батареї, позначені цим символом, не можна викидати зі звичайним побутовим сміттям.

Пристрої та батареї містять матеріали, які можна відновити та переробити, що зменшить потребу у сировині. Будь ласка, віддавайте електричні інструменти та батареї на переробку відповідно до місцевих постанов. Більш детальну інформацію можна отримати на сайті www.2helpU.com

Технічні характеристики

		FME360/FME365 (Тип 1)
Вхідна напруга	V_{max} (станд.)	230
Вхідна потужність	Вт	900/1050
Швидкість без навантаження (SPM)	об/хв	0-3500
Макс. довжина диску	мм	305
Маса	кг	3,5

$L_{p, max}$ (звуковий тиск) 87 дБ(А), похибка (К) 5 дБ(А)

$L_{w, max}$ (звукова потужність) 98 дБ(А), похибка (К) 5 дБ(А)

Загальні значення вібрації (векторна сума трьох векторів) згідно з EN62841:

Розрізання деревних плит ($a_{h, max}$) 14,7 м/с, похибка (К) 1,5 м/с

Розрізання деревних балок ($a_{h, max}$) 15,8 м/с, похибка (К) 1,5 м/с

Гарантія

Компанія STANLEY FATMAX впевнена в якості своєї продукції та пропонує споживачам гарантію тривалістю 12 місяців з дати покупки. Ця гарантія доповнює і жодним чином не обмежує ваші законні права. Ця гарантія є чинною на території країн-членів Європейського союзу та в європейській зоні вільної торгівлі.

Позив за гарантією повинен відповідати умовам компанії STANLEY FATMAX при цьому вам необхідно буде надати доказ покупки продавцю або спеціалісту офіційного сервісного центру.

Умови гарантії компанії STANLEY FATMAX на 1 рік та місцезнаходження найближчого сервісного центру можна дізнатися в інтернеті на сайті www.2helpU.com або звернутися до місцевого представництва компанії STANLEY FATMAX за адресою, вказаною у цьому керівництві.

Відвідайте наш сайт www.stanleytools.eu/3, щоб зареєструвати свій новий продукт STANLEY FATMAX та отримувати інформацію про нові продукти та спеціальні пропозиції.

Декларація про відповідність нормам ЄС ДИРЕКТИВА ДЛЯ МЕХАНІЧНОГО ОБЛАДНАННЯ



FME360/FME365 шабельна пила



Виробник:
"Stanley Black & Decker Deutschland
GmbH" Black-&-Decker Str.40, D-65510
Idstein, Німеччина

Компанія STANLEY FATMAX заявляє, що продукти, описані у розділі «Технічні дані» відповідають вимогам: EN62841-1:2015, EN62841-2-11:2016.

Ці продукти також відповідають Директиві 2006/42/ЕС, 2014/30/EU та 2011/65/EU. Для отримання додаткової інформації, будь ласка, зверніться до компанії STANLEY FATMAX за наведеною нижче адресою або прочитайте інформацію на зворотному боці цього посібника.

Нижчепідписаний несе відповідальність за упорядкування файлу технічних характеристик та робить цю заяву від компанії

STANLEY FATMAX .

А. Сміт (A. Smith)

Технічний директор

STANLEY FATMAX Europe, Egide Walschaertsstraat14-18,

2800 Мехелен, Бельгія

14.01.2019

STANLEY
FATMAX

ГАРАНТІЙНИЙ ТАЛОН

3 РОКИ
ГАРАНТІЇ

- Вітаємо Вас з покупкою високоякісного виробу Stanley FATMAX і висловлюємо вдячність за Ваш вибір.
- При покупці виробу вимагайте перевірки його комплектності і справності у Вашій присутності, інструкцію з експлуатації та заповнений гарантійний талон українською мовою. В гарантійному талоні повинні бути внесені: модель, дата продажу, серійний номер, дата виробництва інструменту, назва, печатка і підпис торгової організації. За відсутності у Вас правильно заповненого гарантійного талону, а також при невідповідності зазначених у ньому даних ми будемо змушені відхилити Ваші претензії щодо якості даного виробу.
- Щоб уникнути непорозумінь, переконливо просимо Вас перед початком роботи з виробом уважно ознайомитися з інструкцією з його експлуатації. Правовою основою справжніх гарантійних умов є чинне Законодавство. Гарантійний термін на даний виріб складає 36 місяців і обчислюється з дня продажу. У разі усунення недоліків виробу, гарантійний строк продовжується на період його перебування в ремонті. Термін служби виробу становить 5 років з дня продажу.
- У разі виникнення будь-яких проблем у процесі експлуатації виробу рекомендуємо Вам звертатися тільки в уповноважені сервісні центри Stanley FATMAX, адреси та телефони яких Ви можете знайти в гарантійному талоні, на сайті www.2helpU.com або дізнатися в магазині. Наші сервісні станції - це не тільки кваліфікований ремонт, але і широкий асортимент запчастин і аксесуарів.
- Виробник рекомендує проводити періодичну перевірку і технічне обслуговування виробу в уповноважених сервісних центрах.
- Наші гарантійні зобов'язання поширюються тільки на несправності, виявлені протягом гарантійного терміну і викликані дефектами виробництва та \ або матеріалів.
- Гарантійні умови не поширюються на несправності виробу, що виникли в результаті:
 - Недотримання користувачем приписів інструкції з експлуатації виробу, застосування виробу не за призначенням, неправильного зберігання, використання приладдя, витратних матеріалів і запчастин, що не передбачені виробником.
 - Механічного пошкодження (відколю, тріщини і руйнування) внутрішніх і зовнішніх деталей виробу, основних і допоміжних рукояток, мережевого кабелю, що викликані зовнішнім ударним або будь-яким іншим впливом
 - Потрапляння у вентиляційні отвори та проникнення всередину виробу сторонніх предметів, матеріалів або речовин, що не є відходами, які супроводжують застосування виробу за призначенням, такими як: стружка, тирса, пісок, та ін.
 - Впливу на виріб несприятливих атмосферних і інших зовнішніх факторів, таких як дощ, сніг, підвищена вологість, нагрівання, агресивні середовища, невідповідність параметрів електромережі, що зазначені на інструменті.
 - Стихійного лиха. Пошкодження або втрати виробу, що пов'язані з непередбаченими лихами, стихійними явищами, у тому числі внаслідок дії непереборної сили (пожежа, блискавка, потоп і інші природні явища), а також внаслідок перепадів напруги в електромережі та іншими причинами, які знаходяться поза контролем виробника.
- Гарантійні умови не поширюються:
 - На інструменти, що піддавались розкриттю, ремонту або модифікації поза уповноваженим сервісним центром.
 - На деталі, вузли та матеріали, що мають сліди природного зносу, такі як: приводні реміні і колеса, вугільні щітки, мастило, підшипники, зубчасті зчеплення редукторів, гумові ущільнення, сальники, направляючі ролики, муфти, вимикачі, бойки, штовхачі, стволи тощо.
 - На змінні частини: патрони, цанги, затискні гайки і фланці, фільтри, ножі, шліфувальні підшови, ланцюги, зірочки, пильні шини, захисні кошуки, пилки, абразивні, пильні і абразивні диски, фрези, свердла, бури тощо
 - На несправності, що виникли в результаті перевантаження інструменту (як механічного, так і електричного), що спричинили вихід з ладу одночасно двох і більше деталей і вузлів, таких як: ротора і статора, обох обмоток статора, веденої і ведучої шестерні редуктора або інших вузлів і деталей. До безумовних ознак перевантаження виробу відносяться, крім інших: поява кольорів мільниці, деформація або оплавлення деталей і вузлів виробу, потемніння або обуглювання ізоляції проводів електроприводу під впливом високої температури.

Товар отриманий в справному стані, без видимих ушкоджень, в повній комплектації, перевірений у моїй присутності, претензій щодо якості товару не маю. З умовами гарантійного обслуговування ознайомлений і згоден.

П. І. Б. та підпис власника _____

Шановні клієнти, наша мережа авторизованих сервісних центрів постійно розширюється. Актуальну інформацію про обслуговування в місті, що цікавить вас, ви можете дізнатися на сайті

www.2helpU.com

Інформація про інструмент

Найменування інструменту	
Модель	
Найменування продавця	
Дата продажу	

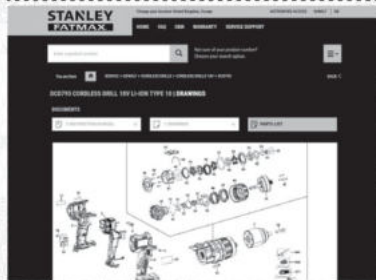
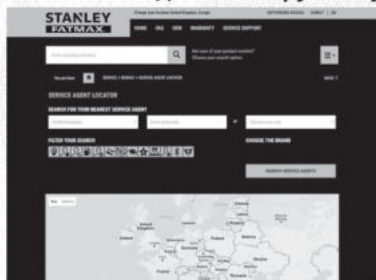
М.П.
Продавця

Серійний номер/Дата виробництва

Інструмент	
Зарядний пристрій	
Акумулятор 1	
Акумулятор 2	

На сайті www.2helpU.com доступні наступні функції:

- Список авторизованих сервісних центрів
- Зручний пошук найближчого сервісного центру
- Керівництво з експлуатації
- Технічні характеристики
- Список деталей і запасних частин
- Схема складання інструменту



Також дану інформацію ви можете отримати, зателефонувавши за номером:
0 (800) 211 521 в Україні

ВІДІТКА ПРО ПРОВЕДЕННЯ СЕРВІСНОГО ОБСЛУГОВУВАННЯ

№1	№2	№3	№4
№ замовлення	№ замовлення	№ замовлення	№ замовлення
Дата прийому	Дата прийому	Дата прийому	Дата прийому
Дата ремонту	Дата ремонту	Дата ремонту	Дата ремонту
Печатка і підпис сервісного центру	Печатка і підпис сервісного центру	Печатка і підпис сервісного центру	Печатка і підпис сервісного центру

