

STANLEY®



WWW.STANLEY.COM

STHT77504-1

STHT77594-1

ENGLISH

English (*original instructions*)

5

Українська (*переклад з оригінальної інструкції*)

10

Fig A

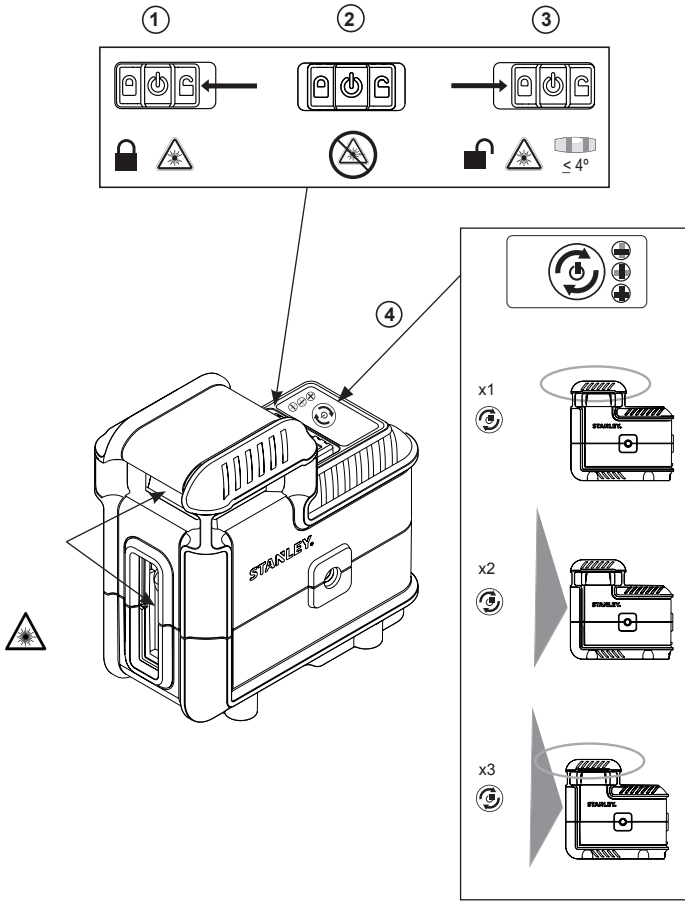


Fig B

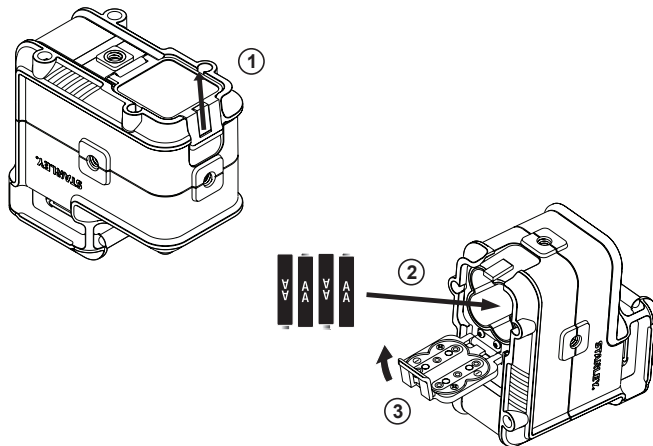


Fig. C

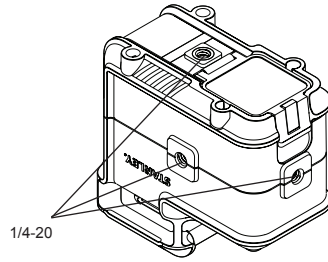


Fig. D

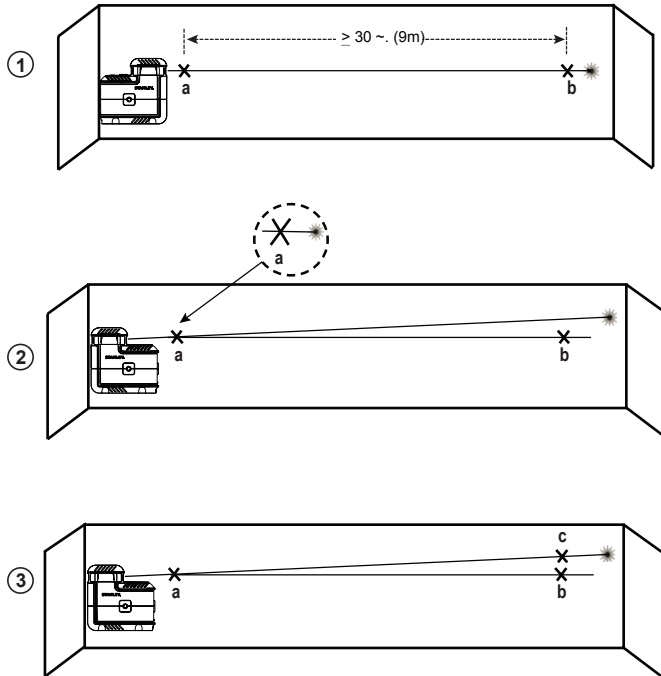


Fig. E

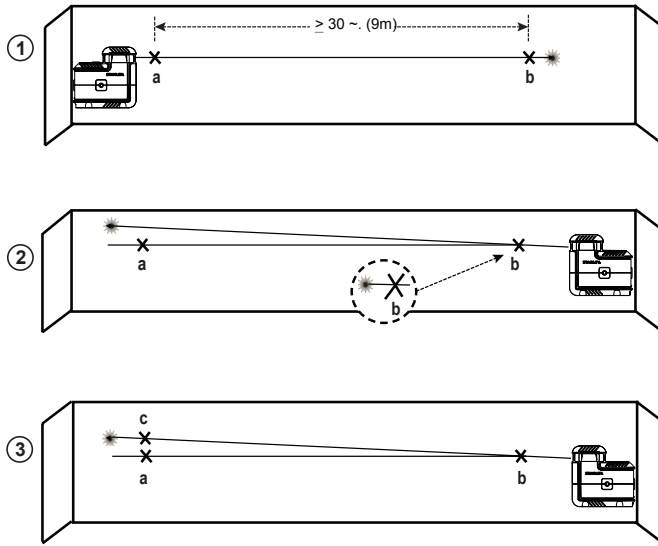


Fig. F

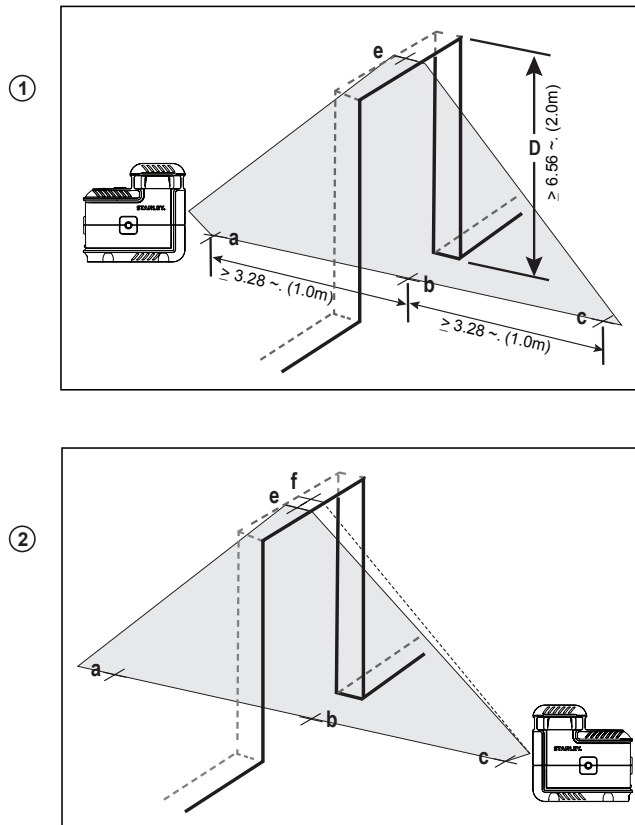
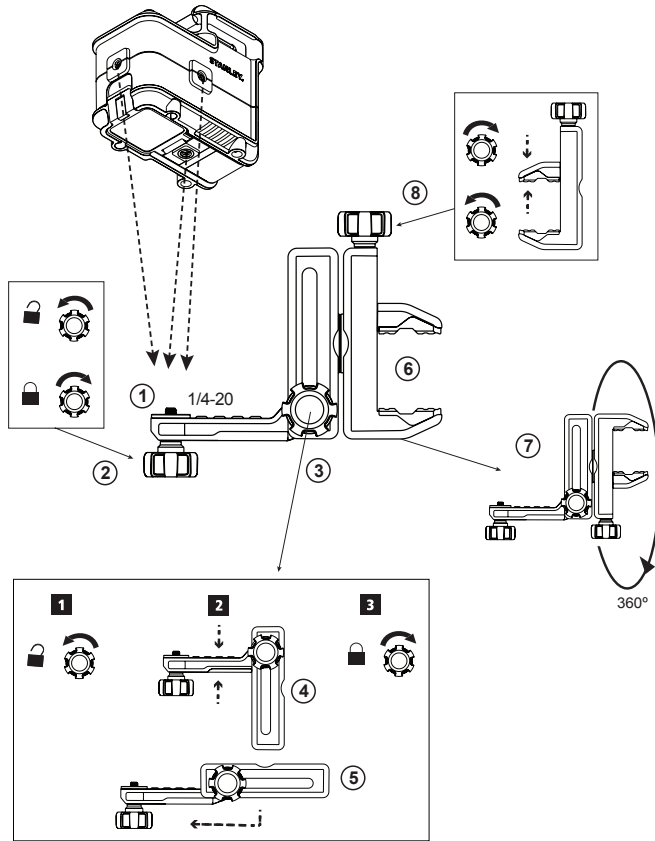


Fig. G



SELF-LEVELING 360° CROSS-LINE LASER

STHT77504-1, STHT77594-1

Laser Information

The STHT77504-1 and STHT77594-1 lasers are Class 2 laser products. The lasers are self-leveling laser tools that can be used for horizontal (level) and vertical (plumb) alignment projects.

User Safety

Safety Guidelines

The definitions below describe the level of severity for each signal word. Please read the manual and pay attention to these symbols.



DANGER: Indicates an imminently hazardous situation which, if not avoided, will result in death or serious injury.



WARNING: Indicates a potentially hazardous situation which, if not avoided, could result in death or serious injury.



CAUTION: Indicates a potentially hazardous situation which, if not avoided, may result in minor or moderate injury.

NOTICE: Indicates a practice not related to personal injury which, if not avoided, may result in property damage.

If you have any questions or comments about this or any STANLEY® tool, go to <http://www.STANLEY.com>.



WARNING: Read and understand all instructions. Failure to follow the warnings and instructions in this manual may result in serious personal injury.

SAVE THESE INSTRUCTIONS




WARNING: Laser Radiation Exposure. Do not disassemble or modify the laser level. There are no user serviceable parts inside. Serious eye injury could result.



WARNING: Hazardous Radiation. Use of controls or adjustments, or performance of procedures, other than those specified herein may result in hazardous radiation exposure.

The label on your laser may include the following symbols.

Symbol	Meaning
V	Volts
mW	Milliwatts
	Laser Warning
nm	Wavelength in nanometers
2	Class 2 Laser

- **Do not operate the laser in explosive atmospheres, such as in the presence of flammable liquids, gases, or dust.** This tool may create sparks which may ignite the dust or fumes.

- **Store an idle laser out of reach of children and other untrained persons.** Lasers are dangerous in the hands of untrained users.
- **Tool service MUST be performed by qualified repair personnel.** Service or maintenance performed by unqualified personnel may result in injury. To locate your nearest Stanley service center go to <http://www.2helpU.com>.
- **Do not use optical tools such as a telescope or transit to view the laser beam.** Serious eye injury could result.
- **Do not place the laser in a position which may cause anyone to intentionally or unintentionally stare into the laser beam.** Serious eye injury could result.
- **Do not position the laser near a reflective surface which may reflect the laser beam toward anyone's eyes.** Serious eye injury could result.
- **Turn the laser off when it is not in use.** Leaving the laser on increases the risk of staring into the laser beam.
- **Do not modify the laser in any way.** Modifying the tool may result in hazardous laser radiation exposure.
- **Do not operate the laser around children or allow children to operate the laser.** Serious eye injury may result.
- **Do not remove or deface warning labels.** If labels are removed, the user or others may inadvertently expose themselves to radiation.
- **Position the laser securely on a level surface.** If the laser falls, damage to the laser or serious injury could result.

Personal Safety

- Stay alert, watch what you are doing, and use common sense when operating the laser. Do not use the laser when you are tired or under the influence of drugs, alcohol, or medication. A moment of inattention while operating the laser may result in serious personal injury.
- Use personal protective equipment. Always wear eye protection. Depending on the work conditions, wearing protective equipment such as a dust mask, non-skid safety shoes, hard hat, and hearing protection will reduce personal injury.

Tool Use and Care

- Do not use the laser if the **Power/Transport Lock** switch does not turn the laser on or off. Any tool that cannot be controlled with the switch is dangerous and must be repaired.
- Follow instructions in the **Maintenance** section of this manual. Use of unauthorized parts or failure to follow **Maintenance** instructions may create a risk of electric shock or injury.

Battery Safety



WARNING: Batteries can explode, or leak, and can cause injury or fire. To reduce this risk:

- Carefully follow all instructions and warnings on the battery label and package.
- Always insert batteries correctly with regard to polarity
- (+ and -), as marked on the battery and the equipment.
- Do not short battery terminals.
- Do not charge disposable batteries.
- Do not mix old and new batteries. Replace all batteries at the same time with new batteries of the same brand and type.
- Remove dead batteries immediately and dispose of per local codes.
- Do not dispose of batteries in fire.
- Keep batteries out of reach of children.
- Remove batteries when the device is not in use.

Installing AA Batteries

Load new AA batteries in the STHT77504-1 or STHT77594-1 laser.

1. Turn the laser upside down.
2. On the bottom of the laser, lift up the latch to open the battery compartment cover (Figure B 1).
3. Insert four new, high-quality, name brand AA batteries, making sure to position the - and + ends of each battery as noted inside the battery compartment (Figure B 2).
4. Push the battery compartment cover closed until it snaps in place (Figure B 3).

When the laser is not in use, keep the Power/ Transport Lock switch in the center (OFF) position (Figure A 2) to save battery power.

Turning the Laser On

1. Place the laser on a smooth, flat, level surface, with the laser facing straight ahead toward the opposing wall (0° position).
2. Turn the laser ON to display a horizontal laser beam. Either:
 - a. Move the Power/Transport Lock switch to the left to keep the pendulum locked and display the beams in **manual mode** (Figure A1).
 - b. Move the Power/Transport Lock switch to the right to unlock the pendulum and display the beams in **self-leveling mode** (Figure A3).
3. Press (Figure A4) once to display a horizontal laser beam, a second time to display a vertical beam, and a third time to display both the horizontal and vertical beams.
4. Check the laser beams.
 - a. If the laser is tilted so much that it cannot self-level (> 4°), or the laser is not level in manual mode, the laser beams will flash.
 - b. If the laser beams flash, the laser is not level (or plumb) and should NOT BE USED for determining or

marking level or plumb. Try repositioning the laser on a level surface.

5. If ANY of the following statements are TRUE, continue with the instructions for Checking Laser Accuracy BEFORE USING THE LASER for a project.
 - a. This is the **first time you are using the laser** (in case the laser was exposed to extreme temperatures).
 - b. The laser **has not been checked for accuracy in a while**.
 - c. The laser may have been **dropped**.

Checking Laser Accuracy

The laser tools are sealed and calibrated at the factory. It is recommended that you perform an accuracy check **prior to using the laser for the first time** (in case the laser was exposed to extreme temperatures) and then regularly to ensure the accuracy of your work. **When performing any of the accuracy checks listed in this manual, follow these guidelines:**

- Use the largest area/distance possible, **closest to the operating distance**. The greater the area/ distance, the easier to measure the accuracy of the laser.
- Place the laser on a **smooth, flat, stable surface that is level in both directions**.
- Mark the **center of the laser beam**.

Horizontal Beam - Scan Direction

Checking the horizontal scan calibration of the laser requires two walls at least 30' (9 m) apart. It is important to conduct a calibration check using a distance no shorter than the distance of the applications for which the tool will be used.

1. Place the laser against the end of the wall (Figure D1).
2. Move the Power/Transport Lock switch to the right (Figure A3) to turn the laser ON in selfleveling mode and display a horizontal laser beam.
3. At least 30' (9 m) apart along the laser beam, mark a and b .
4. Turn the laser 180°.
5. Adjust the height of the laser so the center of the beam is aligned with a (Figure D2).
6. Directly above or below b , mark c along the laser beam (Figure D3).
7. Measure the vertical distance between b and c .
8. If your measurement is greater than the Allowable Distance Between b and c for the corresponding Distance Between a and b in the following table, the laser must be serviced at an authorized service center.

Distance Between a and b	Allowable Distance Between b and c
30' (9 m)	5/32" (4 mm)
40' (12 m)	7/32" (6 mm)
50' (15 m)	5/16" (8 mm)

Horizontal Beam - Pitch Direction

Checking the horizontal pitch calibration of the laser requires a single wall at least 30' (9 m) long. It is important to conduct a calibration check using a distance no shorter than the distance of the applications for which the tool will be used.

1. Place the laser against the end of the wall (Figure E1).
2. Move the Power/Transport Lock switch to the right (Figure A3) to turn the laser ON in selfleveling mode and display a horizontal laser beam.
3. At least 30' (9 m) apart along the laser beam, mark a and b.
4. Move the laser to the opposite end of the wall (Figure E2).
5. Position the laser toward the first end of the same wall and parallel to the adjacent wall.
6. Adjust the height of the laser so the center of the beam is aligned with b.
7. Directly above or below a, mark c along the laser beam (Figure E3).
8. Measure the distance between a and c.
9. If your measurement is greater than the Allowable Distance Between a and c for the corresponding Distance Between a and b in the following table, the laser must be serviced at an authorized service center.

Distance Between a and b	Allowable Distance Between a and c
30' (9 m)	5/32" (4 mm)
40' (12 m)	7/32" (6 mm)
50' (15 m)	5/16" (8 mm)

Vertical Beam - Plumb

Checking the vertical (plumb) calibration of the laser can be most accurately done when there is a substantial amount of vertical height available, ideally 30' (9 m), with one person on the floor positioning the laser and another person near a ceiling to mark the position of the beam. It is important to conduct a calibration check using a distance no shorter than the distance of the applications for which the tool will be used.

1. Place the laser at least 3.28 ft (1.0m) from a door jamb (Figure F1).
2. Move the Power/Transport Lock switch to the right (Figure A3) to turn the laser ON in selfleveling mode and display a horizontal laser beam.
3. Press once to display the vertical beam.
4. Aim the vertical laser beam toward the door jamb.
5. Along the bottom of the laser beam, mark three locations a, b, and c; where b is midway between a and c.
6. Where the top of the laser beam appears at the top of the door jamb, mark e.
7. Move the laser to the opposite side of the door jamb (Figure F2).
8. Align the bottom of the laser beam with a, b, and c.
9. Where the top of the laser beam appears at the top of the door jamb, mark f.

10. Measure the distance between e and f.

11. If your measurement is greater than the Allowable Distance Between e and f for the corresponding Height D in the following table, the laser must be serviced at an authorized service center.

Height	Allowable Distance Between e and f
6.56' (2.0 m)	1/16" (1.5 mm)
8.20' (2.5 m)	3/32" (2.0 mm)
9.84' (3.0 m)	1/8" (2.5 mm)

USING THE LASER

Operating Tips

- Always mark the center of the beam created by the laser.
- Extreme temperature changes may cause movement of internal parts that can affect accuracy. Check your accuracy often while working.
- If the laser is ever dropped, check to make sure it is still calibrated.
- As long as the laser is properly calibrated, the laser is self-leveling. Each laser is calibrated at the factory to find level as long as it is positioned on a flat surface within average $\pm 4^\circ$ of level. No manual adjustments are required.
- Use the laser on a smooth, flat, level, surface.

Turning the Laser Off

Slide the Power/Transport Lock switch to the OFF position (Figure A2) when the laser is not in use. If the switch is not placed in the OFF position, the laser will not turn off.

Using the Laser with the Bracket

A bracket (Figure G) is included with the laser so you can easily attach the laser to a stud, ceiling grid, or pole.

1. Securely attach the laser to the bracket.
 - a. Using the 1/4-20 thread on the bottom, side, or back of the laser (Figure C), position the laser on the 1/4-20 thread on the bracket arm (Figure G1).
 - b. Turn the laser knob (Figure G2) clockwise to lock the laser on the 1/4-20 thread on the bracket arm.
2. If needed, change the height or position of the laser on the bracket.
 - a. Turn the adjustment knob (Figure G3) counterclockwise to loosen the bracket arm.
 - b. Slide the bracket arm up or down to the desired height (Figure G4). To change the bracket from 90° to 180°, slide the bracket arm to the top of the bracket and then flip the arm to the right (Figure G5).
 - c. Turn the adjustment knob (Figure G3) clockwise to lock the bracket arm in place.
3. Use the bracket's clamp (Figure G6) to hold the laser in place on a stud, ceiling grid, or pole.

- If necessary, rotate the clamp so it is positioned at the correct angle for attaching to the object. While holding the bracket arm with one hand, use your other hand to turn the clamp (Figure G7).
- Position the bracket's clamp around the stud, ceiling grid, or pole.
- Turn the clamp knob (Figure G8) clockwise until the clamp is tight around the object and the bracket is held in place.

Using the Laser with Other Accessories



WARNING: Since accessories other than those offered by STANLEY have not been tested with this laser, use of such accessories with this laser could be hazardous.

Only use STANLEY® accessories that are recommended for use with this model. Accessories that may be suitable for one laser may create a risk of injury when used with another laser.

The laser is equipped with a 1/4-20 female thread on the bottom, side, and back (Figure C) to accommodate current or future STANLEY® accessories.

Other recommended accessories for use with this laser are available at extra cost from your local dealer or authorized service center. If you need assistance locating any accessory, please contact your nearest STANLEY service center or visit our website: [http:// www.STANLEY.com](http://www.STANLEY.com).

Maintenance

- When the laser is not in use, clean the exterior parts with a damp cloth, wipe the laser with a soft dry cloth to make sure it is dry, and then store the laser in the kit box provided.
- Although the laser exterior is solvent resistant, NEVER use solvents to clean the laser.
- Do not store the laser at temperatures below -5 °F (-20 °C) or above 140 °F (60 °C).
- To maintain the accuracy of your work, check the laser often to make sure it is properly calibrated.
- Calibration checks and other maintenance repairs may be performed by STANLEY service centers.

Troubleshooting

The Laser Does Not Turn On

- Check the AA batteries to make sure:
 - Each battery is installed correctly, according to (+) and (-) listed inside the battery compartment.
 - The battery contacts are clean and free of rust or corrosion.
 - The batteries are new, high-quality, name brand batteries to reduce the chance of battery leakage.
- Make sure the AA batteries are in proper working condition. If in doubt, try installing new batteries.
- When using rechargeable batteries, make sure the batteries are fully charged.
- Be sure to keep the laser dry.
- If the laser unit is heated above 120 °F (50 °C), the unit will not turn ON. If the laser has been stored in extremely hot

temperatures, allow it to cool. The laser level will not be damaged by using the Power/ Transport Lock switch before cooling to its proper operating temperature.

The Laser Beams Flash

When in **self-leveling mode**, the lasers are designed to self-level up to an average of 4° in all directions. If the laser is tilted so much that the internal mechanism cannot level itself (or the laser is not level when in **manual mode**), the laser beams will flash indicating that the tilt range has been exceeded.

THE FLASHING BEAMS CREATED BY THE LASER ARE NOT LEVEL OR PLUMB AND SHOULD NOT BE USED FOR DETERMINING OR MARKING LEVEL OR PLUMB. Try repositioning the laser on a more level surface.

Laser Beams Will Not Stop Moving

The laser is a precision instrument. Therefore, if it is not positioned on a stable (and motionless) surface, the laser will continue to try to find level. If the beam will not stop moving, try placing the laser on a more stable surface. Also, try to make sure that the surface is relatively flat and level, so that the laser is stable.

Service and Repairs

NOTE: Disassembling the laser level will void all warranties on the product.

To assure product SAFETY and RELIABILITY, repairs, maintenance and adjustment should be performed by authorized service centers. Service or maintenance performed by unqualified personnel may result in a risk of injury. To locate your nearest STANLEY service center, go to <http://www.STANLEY.com>.

Two Year Warranty

Stanley warrants its electronic measuring tools against deficiencies in materials and / or workmanship for two years from date of purchase.

Deficient products will be repaired or replaced, at Stanley's option, if sent together with proof of purchase to:

Stanley UK Sales Limited

Gowerton Road

Brackmills, Northampton NN4 7BW

This Warranty does not cover deficiencies caused by accidental damage, wear and tear, use other than in accordance with the manufacturer's instructions or repair or alteration of this product not authorised by Stanley.

Repair or replacement under this Warranty does not affect the expiry date of the Warranty.

To the extent permitted by law, Stanley shall not be liable under this Warranty for indirect or consequential loss resulting from deficiencies in this product.

This Warranty may not be varied without the authorisation of Stanley.

This Warranty does not affect the statutory rights of consumer purchasers of this product.

This Warranty shall be governed by and construed in accordance with the laws of the country sold where in and Stanley and the purchaser each irrevocably agrees to submit to the exclusive jurisdiction of the courts of that country over any claim or matter arising under or in connection with this Warranty.

Calibration and care are not covered by warranty.

NOTE: The customer is responsible for the correct use and care of the instrument. Moreover, the customer is completely responsible for periodically checking the accuracy of the laser unit, and therefore for the calibration of the instrument.

Specifications

	STHT77504-1	STHT77594-1
Light Source	Laser diodes	
Laser Wavelength	630 – 680 nm visible	510 – 530 nm visible
Laser Power	≤3.2 mW CLASS 2 LASER PRODUCT	
Working Range	20 m (65')	25 m (80')
Accuracy	±4 mm @ 10 m (±5/32" @ 33')	
Power Source	4 AA (1.5V) size batteries (3V DC)	
Operating Temperature	-10 °C to 40 °C (14 °F to 104 °F)	
Storage Temperature	-20 °C to 60 °C (-5 °F to 140 °F)	

САМОВИРІВНЮВАЛЬНИЙ ЛАЗЕРНИЙ 360-ГРАДУСНИЙ ЛАЗЕРНИЙ НІВЕЛІР

STHT77504-1, STHT77594-1

Лазерна інформація

Лазери STHT77504-1 і STHT77594-1 - це лазерні вироби класу 2. Лазери - це самовирівнювальні лазерні інструменти, які можна використовувати для горизонтальних (рівневих) та вертикальних (вертикальних) проєктів вирівнювання.

Безпека користувача

Інструкції з техніки безпеки

Умовні позначення, наведені нижче, описують рівень важливості кожної попереджувальної вказівки. Прочитайте керівництво з експлуатації та зверніть увагу на символи, наведені нижче.



НЕБЕЗПЕЧНО! Вказує на безпосередню загрозу, яка, якщо її не уникнути, призведе до смерті або серйозної травми.



ЗАСТЕРЕЖЕННЯ: Вказує на потенційну загрозу, яка, якщо її не уникнути, може призвести до смерті або серйозної травми.



ОБЕРЕЖНО! Вказує на потенційну загрозу, яка, якщо її не уникнути, може призвести до травми легкої або середньої тяжкості.

ПРИМІТКА: Вказує на ситуацію, не пов'язану з особистою травмою, яка, якщо її не уникнути, може призвести до пошкодження майна.

Відповіді на питання щодо цих інструкцій або інструменту STANLEY® ви можете отримати за посиланням: <http://www.STANLEY.com>.



ЗАСТЕРЕЖЕННЯ: Уважно прочитайте всі інструкції. Недотримання застережень та інструкцій, які містяться в цьому посібнику, може призвести до серйозних травм.

ЗБЕРІГАЙТЕ ЦІ ІНСТРУКЦІЇ



ЗАСТЕРЕЖЕННЯ: Вплив лазерного випромінювання. Не розбирайте та не змінюйте лазерний нівелір. Всередині відсутні деталі, які користувач може обслуговувати самостійно. Це може призвести до серйозного пошкодження очей.



ЗАСТЕРЕЖЕННЯ: Шкідливе випромінювання. Використання органів управління або регулювання або виконання інших процедур, крім указаних у цьому посібнику, може призвести до шкідливого впливу випромінювання.

Написи на лазерному нівелірі можуть включати зазначені далі символи.

Символ	Значення
V	Напруга (вольт)
мВт	Потужність (міліват)
	Застереження лазера
мм	Довжина хвилі у нанометрах
2	Лазерний нівелір класу 2

- **Не використовуйте лазер у вибухонебезпечних умовах, наприклад, в присутності легкозаймистих рідин, газів або пилу.** Цей інструмент може створювати іскри, що можуть запалити пил або випаровування.
- **Зберігайте неприцюючий лазерний нівелір в місці, недоступному для дітей та інших непідготовлених осіб.** Лазерні нівеліри є небезпечними, якщо вони використовуються некваліфікованими користувачами.
- **Обслуговування інструменту ПОВИНЕН виконувати лише кваліфікований спеціаліст із ремонту.** Сервісне або технічне обслуговування, проведене некваліфікованим спеціалістом, може призвести до травми. Ви можете знайти найближчий сервісний центр компанії Stanley за посиланням: <http://www.2helpU.com>.
- **Не використовуйте такі оптичні прилади, як телескоп або теодоліт, щоб подивитися на лазерний промінь.** Це може призвести до серйозних травм очей.
- **Не ставте лазерний нівелір в таке положення, при якому хтось може навмисно або ненавмисно подивитися прямо на лазерний промінь.** Це може призвести до серйозного пошкодження очей.
- **Не ставте лазерний нівелір поблизу відбивальної поверхні, від якої лазерний промінь може відбитись в очі.** Це може призвести до серйозного пошкодження очей.
- **Якщо лазерний нівелір не використовується, вимкніть його.** Якщо лазерний нівелір залишається увімкненим, це збільшує ризик споглядання лазерного променя.
- **Ні в якому разі не змінюйте лазерний нівелір.** Змінювання інструменту може призвести до шкідливого впливу лазерного випромінювання.
- **Не працюйте з лазерним нівеліром у присутності дітей та не дозволяйте дітям користуватися ним.** Це може призвести до серйозного пошкодження очей.
- **Не знімайте та не стирайте попереджувальні написи.** За відсутності написів користувач або

інші особи можуть ненавмисно піддати себе впливу випромінювання.

- **Надійно встановіть лазерний нівелір на рівній поверхні.** Падіння лазерного нівеліру може призвести до його пошкодження або серйозних травм.

Особиста безпека

- *Будьте в стані готовності, дивіться, що ви робите, та аналізуйте свої дії коли ви працюєте з лазерним нівеліром. Не використовуйте лазерний нівелір, коли ви втомлені або знаходитесь під впливом наркотичних речовин, алкоголю або ліків. Втрата уваги під час роботи з лазерним нівеліром може призвести до серйозних травм.*
- *Використовуйте особисті засоби безпеки. Завжди використовуйте засоби захисту очей. В залежності від умов роботи використання таких засобів захисту як протипиловий респіратор, протиковзне захисне взуття, захисна каска та захисні навушники, зменшують ризик виникнення травм.*

Використання та догляд за інструментом

- *Не використовуйте лазерний нівелір, блокувальний перемикач живлення/переміщення якого не працює. Будь-який інструмент, яким неможливо керувати за допомогою перемикача, є небезпечним і має бути відремонтований.*
- *Дотримуйтесь інструкцій у розділі «Технічне обслуговування» цього посібника. Використання сторонніх деталей або недотримання інструкцій з **технічного обслуговування** може призвести до ураження електричним струмом або травм.*

Правила техніки безпеки щодо батареї



ЗАСТЕРЕЖЕННЯ: Батареї можуть вибухнути або потекти, що може призвести до травми або пожежі. Для зменшення ризику виникнення таких ситуацій:

- Ретельно дотримуйтесь всіх інструкцій та застережень, які містяться на етикетці та упаковці батареї.
- Встановлюйте батарею правильно, з урахуванням полярності
- (+ та -), відповідно до позначок на батареї та обладнанні.
- Не змикайте контакти батареї.
- Не заряджайте одноразові батареї.
- Не використовуйте старі батареї разом з новими. Замінійте всі батареї одночасно на нові батареї однієї марки та типу.
- Миттєво виймайте відпрацьовані батареї та утилізуйте їх відповідно до місцевих норм та правил.
- Не утилізуйте батареї шляхом спалення у вогні.
- Тримайте батареї у недоступному для дітей місці.

- *Вийміть з інструменту батареї, якщо він не використовується.*

Встановлення батареї AA

Вставте нові батареї AA в лазерний нівелір STHT77504-1 або STHT77594-1.

1. Переверніть лазерний нівелір догори ногами.
2. На нижній частині корпусу лазерного нівеліру підніміть засувку та відкрийте кришку батарейного відсіку (рисунок В 1).
3. Вставте чотири нових, високоякісних батареї AA відомої марки та перевірте правильне розташування полюсів - та + кожної батареї згідно з маркуванням всередині батарейного відсіку (рисунок В 2).
4. Закрийте кришку батарейного відсіку, просуваючи її вперед до упору (рисунок В 3).

Якщо лазерний нівелір не використовується, для зберігання заряду батареї утримуйте блокувальний перемикач живлення/переміщення в центральному положенні (ВИМК.) (рисунок А 2).

Увімкнення лазерного нівеліра

1. Лазерний нівелір слід встановлювати на рівній, плоскій та стійкій поверхні безпосередньо в напрямку протилежної стіни (положення 0°).
2. Увімкніть лазерний нівелір, щоб вивести горизонтальний промінь. Виконайте одну з наступних дій:
 - a. Пересуньте блокувальний перемикач живлення/переміщення ліворуч таким чином, щоб значок висного замку залишався заблокованим, а промені виводились у **ручному режимі** (рисунок А1).
 - b. Пересуньте блокувальний перемикач живлення/переміщення праворуч таким чином, щоб розблокувати значок висного замку та виводити промені в **режимі автоматичного вирівнювання** (рисунок А3).
3. Натисніть (рисунок А4) один раз для виведення горизонтального лазерного променя, вдруге – для виведення вертикального лазерного променя та втретє – для виведення горизонтального та вертикального променів одночасно.
4. Перевірте лазерні промені.
 - a. Якщо лазерний нівелір переохололений таким чином, що не може здійснювати автоматичне вирівнювання (> 4°), або стоїть нерівно в ручному режимі, промені мерехтять.
 - b. Якщо лазерні промені мерехтять, це означає, що лазерний нівелір не вирівняний по горизонталі (або по вертикалі) і його НЕ МОЖНА ВИКОРИСТОВУВАТИ для визначення або маркування горизонтальних чи вертикальних позначок. Спробуйте знову встановити лазерний нівелір на рівній поверхні.
5. Якщо ОДНЕ із тверджень нижче є ВІРНИМ, прочитайте вказівки щодо перевірки точності лазерного нівеліра ПЕРЕД ЙОГО ЗАЛУЧЕННЯМ до будь-якого проекту.

- Ви користуєтесь **лазерним нівеліром вперше** (якщо лазерний нівелір зазнав впливу граничних температур).
- Лазерний нівелір **певний час не перевірявся на точність**.
- Можливо, лазерний нівелір **падав**.

Перевірка точності лазерного нівеліра

Лазерні інструменти герметично ущільнюються та регулюються на заводі виробника. Перевірку точності рекомендовано виконати **перед першим використанням лазерного нівеліра** (якщо він зазнав впливу граничних температур), а потім проводити її регулярно протягом експлуатації. **Під час виконання процедур перевірки точності, зазначених в цьому посібнику, дотримуйтеся наступних вказівок:**

- Дотримуйтеся якомога більшої відстані/зон, **що є найближчою до робочої відстані**. Чим більше відстань/зона, тим легше визначити точність лазерного нівеліра.
- Лазерний нівелір слід встановлювати на **рівній, плоскій та стійкій поверхні, вирівняній в обох напрямках**.
- Відзначте **центр лазерного променя**.

Горизонтальний промінь. Напрямок сканування

Для перевірки регулювання горизонтального сканувального променя лазерного нівеліра потрібні дві стіни, які знаходяться на відстані щонайменше 30' (9 м) одна від одної. Перевірку регулювання важливо проводити на відстані, не меншій ніж відстань, що необхідна для експлуатації інструмента.

- Установіть лазерний нівелір біля краю стіни (рисунок D1).
- Пересуньте блокувальний перемикач живлення/переміщення праворуч (рисунок A3), щоб увімкнути лазерний нівелір в режимі автоматичного вирівнювання та виведення горизонтального лазерного променя.
- На відстані щонайменше 30' (9 м) вздовж лазерного променя зробіть позначки а та b.
- Розверніть лазерний нівелір на 180°.
- Відрегулюйте висоту лазерного нівеліра таким чином, щоб центр променя був вирівняний з позначкою а (рисунок D2).
- Безпосередньо під або над позначкою b зробіть позначку с вздовж променя лазерного нівеліра (рисунок D3).
- Виміряйте відстань по вертикалі між позначками b та с.
- Якщо виміряне значення перевищує допустиму відстань між позначками b та с при відповідній допустимій відстані між позначками а та b, як показано в таблиці нижче, лазерний нівелір необхідно віднести до офіційного сервісного центра.

Відстань між а та b	Допустима відстань між b та с
30' (9 м)	5/32" (4 мм)
40' (12 м)	7/32" (6 мм)
50' (15 м)	5/16" (8 мм)

Горизонтальний промінь. Напрямок куту нахилу

Для перевірки регулювання куту нахилу лазерного нівеліра потрібна одна стіна довжиною щонайменше 30' (9 м). Перевірку регулювання важливо проводити на відстані, не меншій ніж відстань, що необхідна для експлуатації інструмента.

- Установіть лазерний нівелір біля краю стіни (рисунок E1).
- Пересуньте блокувальний перемикач живлення/переміщення праворуч (рисунок A3), щоб увімкнути лазерний нівелір в режимі автоматичного вирівнювання та виведення горизонтального лазерного променя.
- На відстані щонайменше 30' (9 м) вздовж лазерного променя зробіть позначки а та b.
- Пересуньте лазерний нівелір до протилежного краю стіни (рисунок E2).
- Установіть лазерний нівелір в напрямку до першого краю цієї самої стіни та паралельно до сусідньої стіни.
- Відрегулюйте висоту лазерного нівеліра таким чином, щоб центр променя був вирівняний з позначкою b.
- Безпосередньо під або над позначкою а зробіть позначку с вздовж лазерного нівеліра (рисунок E3).
- Виміряйте відстань між позначками а та с.
- Якщо виміряне значення перевищує допустиму відстань між позначками а та с при відповідній допустимій відстані між позначками а та b, як показано в таблиці нижче, лазерний нівелір необхідно віднести до офіційного сервісного центра.

Відстань між а та b	Допустима відстань між а та с
30' (9 м)	5/32" (4 мм)
40' (12 м)	7/32" (6 мм)
50' (15 м)	5/16" (8 мм)

Вертикальний промінь. Перпендикулярний напрям

Найточнішу перевірку вертикального (перпендикулярного) регулювання лазерного нівеліра можна проводити за наявності достатньої висоти по вертикалі, в оптимальному випадку – 30' (9 м); при цьому одна особа знаходиться на підлозі та встановлює лазерний нівелір, а інша – під стелею, де відзначає положення променя. Перевірку регулювання важливо проводити на відстані, не меншій ніж відстань, що необхідна для експлуатації інструмента.

1. Установіть лазерний нівелір на відстані не менше 3,28 футів (1,0 м) від одвірка (рисунок F1).
2. Пересуньте блокувальний перемикач живлення/переміщення праворуч (рисунок A3), щоб увімкнути лазерний нівелір в режимі автоматичного вирівнювання та виведення горизонтального лазерного променя.
3. Натисніть на нього один раз, щоб вивести вертикальний промінь.
4. Наведіть вертикальний промінь лазерного нівеліра в напрямку одвірка.
5. Вздовж нижнього краю лазерного променя зробіть три позначки: a, b та c; при цьому позначка b повинна знаходитись посередині між a та c.
6. В точці перетинання верхньої частини лазерного променя з верхньою частиною одвірка зробіть позначку e.
7. Пересуньте лазерний нівелір до протилежного краю одвірка (рисунок F2).
8. Вирівняйте нижню частину лазерного променя вздовж позначок a, b та c.
9. В точці перетинання верхньої частини лазерного променя з верхньою частиною одвірка зробіть позначку f.
10. Виміряйте відстань між позначками e та f.
11. Якщо виміряне значення перевищує допустиму відстань між позначками e та f при відповідній допустимій висоті D, як показано в таблиці нижче, лазерний нівелір необхідно віднести до офіційного сервісного центра.

Висота	Допустима відстань між e та f
6,56' (2,0 м)	1/16" (1,5 мм)
8,20' (2,5 м)	3/32" (2,0 мм)
9,84' (3,0 м)	1/8" (2,5 мм)

ВИКОРИСТАННЯ ЛАЗЕРНОГО НІВЕЛІРА

Рекомендації щодо експлуатації

- Завжди відзначаєте центр променя, сформованого лазерним нівеліром.
- Зміни граничних температур можуть призвести до зсуву внутрішніх деталей, що в свою чергу може негативно вплинути на точність. Під час роботи частіше перевіряйте точність лазерного нівеліра.
- Якщо лазерний нівелір падав, перевірте, чи він і досі відрегульований.
- Доти, доки лазерний нівелір є добре відрегульованим, він здійснює автоматичне вирівнювання. Кожний лазерний нівелір регулюється на заводі виробника з метою вирівнювання; для цього його встановлюють на плоскій поверхні з середнім відхиленням від рівня-нівеліру $\pm 4^\circ$. Регулювання вручну не потрібне.
- Використовуйте лазерний нівелір на рівній, плоскій, горизонтальній поверхні.

Вимкнення лазерного нівеліра

Якщо лазерний нівелір не використовується, пересуньте блокувальний перемикач живлення/переміщення в положення ВИМК. (рисунок A2). Якщо цей перемикач не налаштувати в положення ВИМК., лазерний нівелір не буде вимкнено.

Використання лазерного нівеліра з кронштейном

Кронштейн (рисунок G) входить до комплекту лазерного нівеліра та полегшує його монтаж на шпильку, ґрати стельової конструкції або стійку.

1. Надійно закріпіть лазерний нівелір на кронштейні.
 - a. За допомогою нарізі 1/4-20 на нижній, бічній або задній поверхні корпусу лазерного нівеліра (рисунок C) установіть нівелір на нарізний елемент 1/4-20 на важелі кронштейна (рисунок G1).
 - b. Поверніть рукоятку лазерного нівеліра (рисунок G2) за годинниковою стрілкою, щоб заблокувати нарізь 1/4-20 на важелі кронштейна.
2. За необхідності змініть висоту або положення лазерного нівеліра на кронштейні.
 - a. Для послаблення кріплення важеля кронштейна поверніть регульовальну рукоятку (рисунок G3).
 - b. Пересуньте важіль кронштейну вгору або вниз на потрібну висоту (рисунок G4). Для зміни кута кронштейна з 90° до 180° пересуньте важіль нагору кронштейна та переведіть його праворуч (рисунок G5).
 - c. Для фіксації важеля кронштейна на місці поверніть регульовальну рукоятку (рисунок G3) за годинниковою стрілкою.
3. За допомогою затискача кронштейну (рисунок G6) зафіксуйте лазерний нівелір на шпильці, ґратах стельової конструкції або стійці.
 - a. За необхідності поверніть затискач таким чином, щоб він займав положення під належним кутом, який дозволяє прикріпити інструмент. Тримавши однією рукою важіль кронштейну, іншою рукою поверніть затискач (рисунок G7).
 - b. Установіть затискач поряд зі шпилькою, ґратами стельової конструкції або стійкою.
 - c. Повертайте рукоятку затискача (рисунок G8) за годинниковою стрілкою доти, доки затискач не буде щільно зафіксований навколо інструменту, а кронштейн не буде закріплений на місці.

Використання лазерного нівеліра з іншими аксесурами



ЗАСТЕРЕЖЕННЯ: Через те, що інші аксесуари, які не рекомендовані компанією STANLEY, не були перевірені з цим лазерним нівеліром, використання таких аксесуарів з ним може бути небезпечним.

Використовуйте лише аксесуари STANLEY®, рекомендовані для цієї моделі. Аксесуари, придатні для однієї моделі, можуть призвести до травми при використанні з лазерним нівеліром іншої моделі.

Лазерний нівелір має внутрішню нарізь розміром 1/4-20 на нижній, бічній або задній поверхні корпусу (рисунок С) для кріплення існуючих та майбутніх аксесуарів STANLEY®.

Інші рекомендовані аксесуари, які можна використовувати з цим лазерним нівеліром, можна придбати за додаткову плату у місцевого дилера або в офіційному сервісному центрі. Якщо вам необхідна допомога у встановленні будь-якого аксесуару, зверніться до найближчого сервісного центра компанії STANLEY, або завітайте до нашого веб-сайту: <http://www.STANLEY.com>.

Технічне обслуговування

- Якщо лазерний нівелір не використовується, протріть зовнішні поверхні вологою ганчіркою, лазер витріть досуха за допомогою м'якої сухої тканини, та покладіть лазерний нівелір на зберігання у коробку, що надається у комплекті.
- Незважаючи на те, що зовнішні поверхні лазерного нівеліру є стійкими до розчинників, НІКОЛИ не використовуйте розчинники для чищення лазерного нівеліра.
- Не зберігайте лазерний нівелір за температури нижче -5 °F (-20 °C) або вище 140 °F (60 °C).
- Для забезпечення точності роботи якомога частіше перевіряйте якість регулювання лазерного нівеліра.
- Перевірку регулювання, ремонт та технічне обслуговування можна проводити в сервісних центрах компанії STANLEY.

Пошук та усунення несправностей

Лазерний нівелір не вмикається

- Перевірте батареї AA:
 - Кожна батарея повинна бути встановлена правильно, відповідно до позначок (+) та (-) всередині батарейного відсіку.
 - Контакти батарей повинні бути чистими та без слідів іржі чи корозії.
 - Для зменшення вірогідності витоку батареї повинні бути новими, високоякісними батареями відомих марок.
- Батареї AA повинні бути у доброму експлуатаційному стані. Якщо у вас виникли сумніви, спробуйте встановити нові батареї.
- У випадку використання батарей, що перезаряджаються, переконайтеся, що батареї повністю заряджені.
- Лазерний нівелір обов'язково повинен бути сухим.
- У випадку нагрівання до температури вище 120 °F (50 °C) лазерний нівелір не увімкнеться. Якщо лазерний нівелір зберігався за дуже високої температури, дайте йому охолонути. Не допускайте пошкодження лазерного нівеліру шляхом використання блокувального

перемикача живлення/переміщення перед охолодженням до робочої температури.

Мерехтіння лазерних променів

В режимі **автоматичного вирівнювання** лазерні нівеліри розраховані на самовирівнювання з похибкою в середньому до 4° в усіх напрямках. Якщо лазерний нівелір перехилений таким чином, що внутрішній механізм не може здійснювати автоматичне вирівнювання (або стоїть нерівно в **ручному режимі**), лазерні промені мерехтять, вказуючи на перевищення амплітуди нахилу.

ЛАЗЕРНІ ПРОМЕНІ, ЩО МЕРехТЯТЬ ТА НЕ ВИРІВНЯНІ ПО ГОРИЗОНТАЛІ АБО ПО ВЕРТИКАЛІ, НЕ МОЖНА ВИКОРИСТОВУВАТИ ДЛЯ ВИЗНАЧЕННЯ АБО МАРКУВАННЯ ГОРИЗОНТАЛЬНИХ ЧИ ВЕРТИКАЛЬНИХ ПОЗНАЧОК.

Спробуйте знову встановити лазерний нівелір на більш рівній поверхні.

Постійний рух лазерних променів

Лазерний нівелір є прецизійним вимірювальним інструментом. Однак якщо лазерний нівелір не встановлений на стійкій (та нерухомій) поверхні, він продовжуватиме спроби вирівнювання. Якщо промінь безперервно рухається, спробуйте встановити лазерний нівелір на більш рівній поверхні. Також перевірте, щоб поверхня була відносно пласкою та рівною, забезпечуючи стійкість лазерного нівеліра.

Обслуговування та ремонт

ПРИМІТКА. Розбирання лазерного нівеліра призводить до анулювання будь-яких гарантій на виріб.

Для гарантії БЕЗПЕКИ та НАДІЙНОСТІ ремонт, технічне обслуговування та налаштування повинні здійснюватися в офіційних сервісних центрах. Сервісне або технічне обслуговування, проведене некваліфікованим спеціалістом, може призвести до травми. Ви можете знайти найближчий сервісний центр компанії STANLEY за посиланням: <http://www.STANLEY.com>.

Дворічна гарантія

Компанія Stanley надає гарантію на електронні вимірювальні інструменти у випадку дефектів матеріалів та/або неякісного виготовлення терміном на два роки з дати придбання.

Компанія Stanley здійснює ремонт або заміну неякісних виробів на свій розсуд, якщо такі вироби надсилаються з чеком на підтвердження покупки за адресою:

Stanley UK Sales Limited

Gowerton Road
Brackmills, Нортгемптон NN4 7BW

Гарантійне обслуговування не розповсюджується на дефекти, спричинені випадковими пошкодженнями, зношенням, експлуатацією не у відповідності з інструкціями виробника, або ремонтом чи модифікаціями, забороненими компанією Stanley.

Ремонт або заміна в рамках цієї гарантії не впливає на термін закінчення дії гарантії.

У випадках, дозволених законодавством, компанія Stanley не несе відповідальності в рамках цієї гарантії за непрямі або побічні збитки, які виникли внаслідок дефектності цього виробу.

Забороняється вносити зміни до цієї гарантії без дозволу компанії Stanley.

Ця гарантія не порушує законні права покупців виробу.

Ця гарантія повинна регулюватися та тлумачитися відповідно до законодавства країни продажу виробу. Компанія Stanley та покупець беззаперечно погоджуються підпорядковуватися винятковій юрисдикції судів цієї країни стосовно будь-яких претензій або питань, що виникають в рамках або у зв'язку з цією гарантією.

Гарантія не розповсюджується на процедури регулювання та обслуговування.

ПРИМІТКА. Відповідальність за належну експлуатацію та обслуговування інструменту несе покупець. Крім того, покупець несе повну відповідальність за періодичні перевірки точності лазерного нівеліра, а отже, і за його регулювання.

Технічні характеристики

	STHT77504-1	STHT77594-1
Джерело оптичного випромінювання	Лазерні діоди	
Довжина хвилі лазера	630-680 нм (видима)	510-530 нм (видима)
Потужність лазерного випромінювання	≤3,2 мВт для ЛАЗЕРНОГО ВИРОБУ КЛАСУ 2	
Робочий діапазон вимірювань	20 м (65')	25 м (80')
Похибка	±4 мм при 10 м (±5/32" при 33')	
Джерело живлення	4 батареї AA (1,5 В) (3 В постійного струму)	
Робоча температура	Від -10 °C до 40 °C (від 14 °F до 104 °F)	
Температура зберігання	Від -20 °C до 60 °C (від -5 °F до 140 °F)	



Виробник:
 "Stanley Black & Decker Deutschland
 GmbH" Black-&-Decker Str.40, D-65510
 Idstein, Німеччина

STANLEY
FATMAX

ГАРАНТІЙНИЙ ТАЛОН

3 РОКИ
ГАРАНТІЇ

1. Вітаємо Вас з покупкою високоякісного виробу Stanley FATMAX і висловлюємо вдячність за Ваш вибір.
2. При покупці виробу вимагайте перевірки його комплектності і справності у Вашій присутності, інструкцію з експлуатації та заповнений гарантійний талон українською мовою. В гарантійному талоні повинні бути внесені: модель, дата продажу, серійний номер, дата виробництва інструменту; назва, печатка і підпис торгової організації. За відсутності у Вас правильно заповненого гарантійного талону, а також при невідповідності зазначених у ньому даних ми будемо змушені відхилити Ваші претензії щодо якості даного виробу.
3. Щоб уникнути непорозумінь, переконливо просимо Вас перед початком роботи з виробом уважно ознайомитися з інструкцією з його експлуатації. Правовою основою справжніх гарантійних умов є чинне Законодавство. Гарантійний термін на даний виріб складає 36 місяці і обчислюється з дня продажу. У разі усунення недоліків виробу, гарантійний строк продовжується на період його перебування в ремонті. Термін служби виробу становить 5 років з дня продажу.
4. У разі виникнення будь-яких проблем у процесі експлуатації виробу рекомендуємо Вам звертатися тільки в уповноважені сервісні центри Stanley FATMAX, адреси та телефони яких Ви зможете знайти в гарантійному талоні, на сайті www.2helpU.com або дізнатися в магазині. Наші сервісні станції - це не тільки кваліфікований ремонт, але і широкий асортимент запчастин і аксесуарів.
5. Виробник рекомендує проводити періодичну перевірку і технічне обслуговування виробу в уповноважених сервісних центрах.
6. Наші гарантійні зобов'язання поширюються тільки на несправності, виявлені протягом гарантійного терміну і викликані дефектами виробництва та \ або матеріалів.
7. Гарантійні умови не поширюються на несправності виробу, що виникли в результаті:
 - 7.1. Недотримання користувачем приписів інструкції з експлуатації виробу, застосування виробу не за призначенням, неправильного зберігання, використання приладдя, витратних матеріалів і запчастин, що не передбачені виробником.
 - 7.2. Механічного пошкодження (відколи, тріщини і руйнування) внутрішніх і зовнішніх деталей виробу, основних і допоміжних рукояток, мережевого кабелю, що викликані зовнішнім ударним або будь-яким іншим впливом
 - 7.3. Попадання на вентиляційні отвори та проникнення всередину виробу сторонніх предметів, матеріалів або речовин, що не є відходами, які супроводжують застосування виробу за призначенням, такими як: стружка, тирса, пісок, та ін.
 - 7.4. Впливу на виріб несприятливих атмосферних і інших зовнішніх факторів, таких як дощ, сніг, підвищена вологість, нагрівання, агресивні середовища, невідповідність параметрів електромережі, що зазначені на інструменті.
 - 7.5. Стихійного лиха. Пошкодження або втрати виробу, що пов'язані з непередбаченими лихами, стихійними явищами, у тому числі внаслідок дії непереборної сили (пожежа, блискавка, потоп і інші природні явища), а також внаслідок перепадів напруги в електромережі та іншими причинами, які знаходяться поза контролем виробника.
8. Гарантійні умови не поширюються:
 - 8.1. На інструменти, що піддавались розкриттю, ремонту або модифікації поза уповноваженим сервісним центром.
 - 8.2. На деталі, вузли та матеріали, що мають сліди природного зносу, такі як: приводні ремені і колеса, вугільні щітки, мастило, підшипники, збучасті зчеплення редукторів, гумові ущільнення, сальники, направляючі ролики, муфти, вимикачі, бойки, штовхачі, стволи тощо.
 - 8.3. На змінні частини: патрони, цанги, затискові гайки і фланці, фільтри, ножі, шліфувальні підшви, ланцюги, зірочки, пильні шини, захисні кожухи, пилки, абразиви, пильні і абразивні диски, фрези, свердла, бури тощо
 - 8.4. На несправності, що виникли в результаті перевантаження інструменту (як механічного, так і електричного), що спричинили вихід з ладу одночасно двох і більше деталей і вузлів, таких як: ротора і статора, обох обмоток статора, веденої і ведучої шестерень редуктора або інших вузлів і деталей. До безумовних ознак перевантаження виробу відносяться, крім інших: поява кольорів мінливості, деформація або оплавлення деталей і вузлів виробу, потемніння або обуглювання ізоляції проводів електродвигуна під впливом високої температури.

Товар отриманий в справному стані, без видимих ушкоджень, в повній комплектації, перевірений у моєї присутності, претензій щодо якості товару не маю. З умовами гарантійного обслуговування ознайомлений і згоден.

П. І. Б. та підпис власника _____

Шановні клієнти, наша мережа авторизованих сервісних центрів постійно розширюється. Актуальну інформацію про обслуговування в місті, що цікавить вас, ви можете дізнатися на сайті

www.2helpU.com

Редакція ВК/16-04-2018

Інформація про інструмент

Найменування інструменту	
Модель	
Найменування продавця	
Дата продажу	

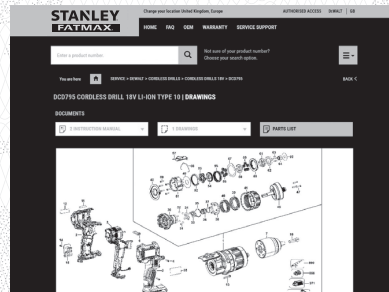
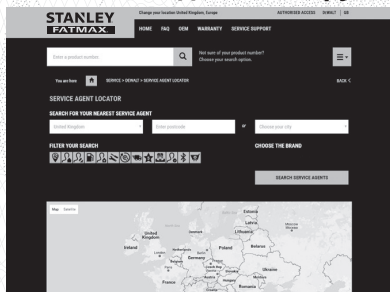
М.П.
Продавця

Серійний номер/Дата виробництва

Інструмент	
Зарядний пристрій	
Акумулятор 1	
Акумулятор 2	

На сайті www.2helpU.com доступні наступні функції:

- Список авторизованих сервісних центрів
- Зручний пошук найближчого сервісного центру
- Керівництво з експлуатації
- Технічні характеристики
- Список деталей і запасних частин
- Схема складання інструменту



Також дану інформацію ви можете отримати, зателефонувавши за номером:
0 (800) 211 521 в Україні

ВІДМІТКА ПРО ПРОВЕДЕННЯ СЕРВІСНОГО ОБСЛУГОВУВАННЯ

№1	№2	№3	№4
№ замовлення	№ замовлення	№ замовлення	№ замовлення
Дата прийому	Дата прийому	Дата прийому	Дата прийому
Дата ремонту	Дата ремонту	Дата ремонту	Дата ремонту
Печатка і підпис сервісного центру	Печатка і підпис сервісного центру	Печатка і підпис сервісного центру	Печатка і підпис сервісного центру

